



US00D958735S

(12) **United States Design Patent** (10) **Patent No.:** **US D958,735 S**
Perkins et al. (45) **Date of Patent:** **** Jul. 26, 2022**

(54) **CHARGER**

(71) Applicant: **Welch Allyn, Inc.**, Skaneateles Falls, NY (US)

(72) Inventors: **David G. Perkins**, Tully, NY (US);
Sean R. Karla, Camillus, NY (US);
Timothy R. Fitch, Syracuse, NY (US);
David M. Villarreal, Fayetteville, NY (US);
Michael Suits, Camillus, NY (US);
Timothy Braun, Auburn, NY (US);
Robert S. Englert, Syracuse, NY (US)

(73) Assignee: **WELCH ALLYN, INC.**, Skaneateles Falls, NY (US)

(**) Term: **15 Years**

(21) Appl. No.: **29/795,982**

(22) Filed: **Jun. 22, 2021**

Related U.S. Application Data

(63) Continuation of application No. 29/729,228, filed on Mar. 25, 2020, now Pat. No. Des. 926,128.

(51) **LOC (13) Cl.** **13-02**

(52) **U.S. Cl.**
USPC **D13/107**

(58) **Field of Classification Search**
USPC D13/107-108, 118-119, 184, 199, 110;
D14/251, 447, 432-434
CPC H02J 7/025; H02J 7/005; H02J 7/0026;
H02J 7/0042; H02J 7/0044; H02J 7/0045;
H02J 7/0013; H02J 7/0003; H02J 50/10;
H02J 50/12

See application file for complete search history.

(56) **References Cited**

U.S. PATENT DOCUMENTS

D193,664 S 9/1962 Ambruster
D336,631 S * 6/1993 Ivester D13/108

D348,428 S * 7/1994 Gallagher D13/108
D388,764 S * 1/1998 Bartling D13/107
D401,552 S * 11/1998 Tanaka D13/107
D402,957 S * 12/1998 Kuwayama D13/108
D446,184 S * 8/2001 Parker D13/107

(Continued)

FOREIGN PATENT DOCUMENTS

CN 203898254 U 10/2014
CN 209153606 U 7/2019
WO WO 2016/131055 A1 8/2016

OTHER PUBLICATIONS

Design U.S. Appl. No. 29/693,835, filed Jun. 5, 2019.

(Continued)

Primary Examiner — Rosemary K Tarcza

(74) *Attorney, Agent, or Firm* — Alston & Bird LLP

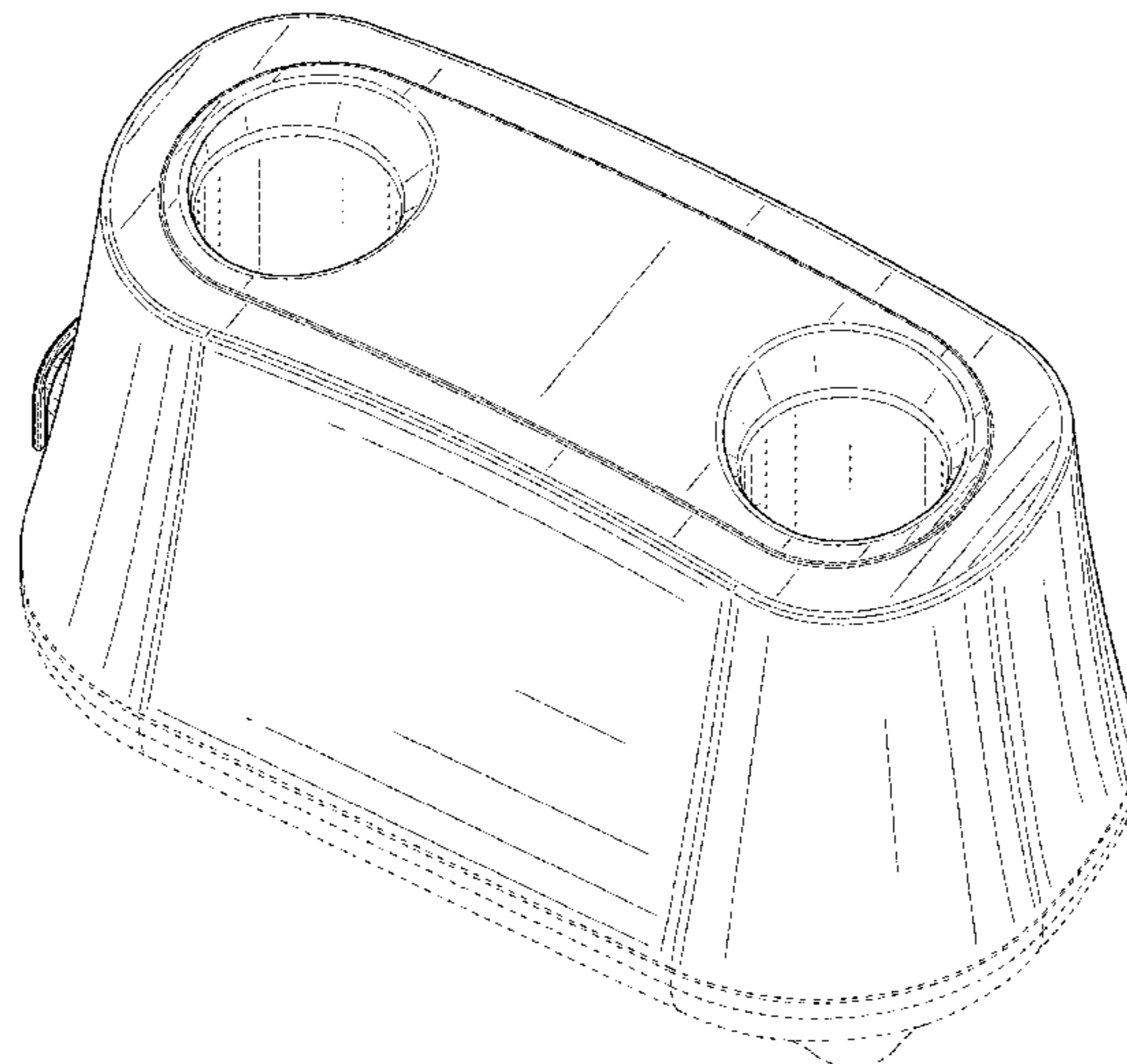
(57) **CLAIM**

We claim the ornamental design for a charger, as shown and described.

DESCRIPTION

FIG. 1 is a perspective view of a charger showing our new design;
FIG. 2 is a front elevation view thereof;
FIG. 3 is a rear elevation view thereof;
FIG. 4 is a right side elevation view thereof;
FIG. 5 is a left side elevation view thereof;
FIG. 6 is a top plan view thereof;
FIG. 7 is a bottom plan view thereof;
FIG. 8 is a left side elevation cross-section view thereof taken along line 8-8 in FIG. 6; and,
FIG. 9 is a front elevation cross-section view thereof taken along line 9-9 in FIG. 6.
The broken lines illustrate features of the charger that form no part of the claimed design.

1 Claim, 5 Drawing Sheets



(56)

References Cited

U.S. PATENT DOCUMENTS

D453,731	S *	2/2002	Hauptli	D13/108
6,361,489	B1	3/2002	Tsai		
D486,787	S *	2/2004	Krieger	D13/108
D508,458	S	8/2005	Solland et al.		
D525,583	S	7/2006	Vu		
D562,762	S	2/2008	Saddlemire et al.		
D576,547	S *	9/2008	Kling	D13/108
D608,732	S	1/2010	Hillard		
D653,206	S	1/2012	Heine et al.		
D659,093	S	5/2012	Schmid et al.		
8,195,330	B2	6/2012	Coe		
D676,377	S *	2/2013	Nokuo	D13/108
D749,042	S	2/2016	Gecawicz et al.		
D758,306	S *	6/2016	Collé	D13/108
9,510,755	B2	12/2016	Phillips		
D786,789	S *	5/2017	Jordan	D27/194
D789,884	S	6/2017	Bourgeois et al.		
9,872,723	B2	1/2018	Smith		
D813,806	S *	3/2018	Ito	D13/108
D820,782	S *	6/2018	Wang	D13/107
10,238,462	B2	3/2019	Hillrom		
D850,365	S *	6/2019	Loermann	D13/107
D896,748	S	9/2020	Fonzo et al.		
D902,150	S *	11/2020	Sun	D13/108
D926,128	S *	7/2021	Perkins	D13/108
D940,653	S *	1/2022	Imsand	D13/108
2014/0243685	A1	8/2014	Patwardhan et al.		
2016/0287063	A1	10/2016	Ramanujam et al.		
2017/0303857	A1	10/2017	Hillrom		

OTHER PUBLICATIONS

“Universal Charger and Desk Sets” [online] [retrieved Jun. 4, 2019], Retrieved from the Internet: <URL:https://www.welchallyn.com/en/products/categories/physical-exam/physical-exam-sets--and-systems/diagnostic-sets-portable/universal-charger-and-desk-sets.html> (dated Jun. 4, 2019).

“1717296”, [online] [retrieved Jun. 4, 2019], Retrieved from the Internet: <URL:https://eshop.haagstreituk.com/sites/eshop.haagstreituk.com/files/products/1717296.jpg> (dated Jun. 4, 2019).

“UDC_71140”, [online] [retrieved Jun. 4, 2019], Retrieved from the Internet:<URL:https://www.welchallyn.com/content/dam/welchallyn/images/Product-Images/Physical-Exam/Physical-Exam-Sets-And-Systems/Diagnostic-Sets-Portable/Universal-Charger-And-Desk-Sets/udc_71140.jpg> (dated Jun. 4, 2019).

“UDC_COPH-MV-NIH_71641” [online] [retrieved Jun. 4, 2019], Retrieved from Internet:<URL:https://www.welchallyn.com/content/dam/welchallyn/images/Product-Images/Physical-Exam/Physical-Exam-Sets-And-Systems/Diagnostic-Sets-Portable/Universal-Charger-And-Desk-Sets/udc_coph-mv-nih_71641-m.jpg> (dated Jun. 4, 2019).

“1717294”, [online] [retrieved Jun. 4, 2019], Retrieved from the Internet: <URL:https://eshop.haagstreituk.com/sites/eshop.haagstreituk.com/files/products/1717294.jpg> (dated Jun. 4, 2019).

“WAL00147”, [online] [retrieved Jun. 4, 2019], Retrieved from the Internet: <URL:https://cdn-1.au.xmsymphony.com/4d9c396d11102d97ff4226a2e42b15a4/contents/WAL00147/WAL00147.gif> (dated Jun. 4, 2019).

“Lithium-Handle-Pod Charger-Welch-Allyn” [online] [retrieved Jun. 10, 2019], Retrieved from the Internet: <URL:https://cdn.shopify.com/s/files/1/0857/0520/products/Lithium-Handle-Pod_-Charger-Welch-Allyn-71906-1_grande.jpg?v=1504670572> (dated Jun. 4, 2019).

“3.5 V Lithium Ion Rechargeable Handle” [online] [retrieved May 15, 2019], Retrieved from the Internet: <URL:https://www.welchallyn.com/en/products/categories/physical-exam/power-handles/3-5-v-lithium-ion-rechargeable-handle.html> (dated May 15, 2019).

“71900-USB” [online] [retrieved May 15, 2019], Retrieved from the Internet: <URL:https://www.welchallyn.com/content/dam/welchallyn/images/Product-Images/Physical-Exam/Power-Handles/3-5-V-Lithium-Ion-Rechargeable-Handle/3-5-V-Lithium-Ion-Rechargeable-Handle/71900-USB.jpg> (dated May 15, 2019).

“\$ _12” [online] [retrieved Jun. 10, 2019], Retrieved from the Internet:<URL:https://i.ebayimg.com/00/s/OTc2WDE2MDA=/z/tTgAAOSwHAXcJZiR/\$_12.JPG?set_id=880000500F> (dated Jun. 4, 2019).

* cited by examiner

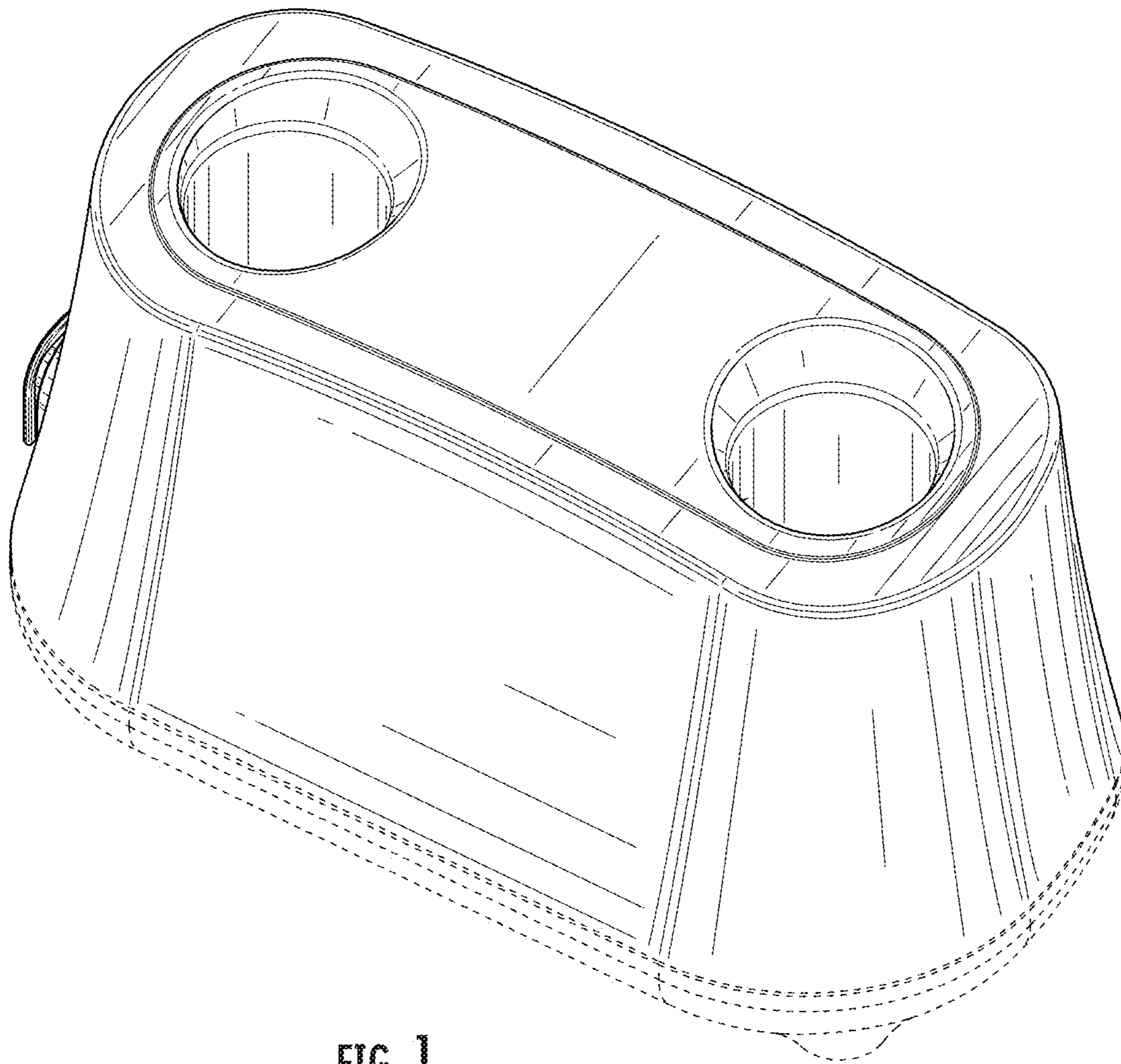


FIG. 1

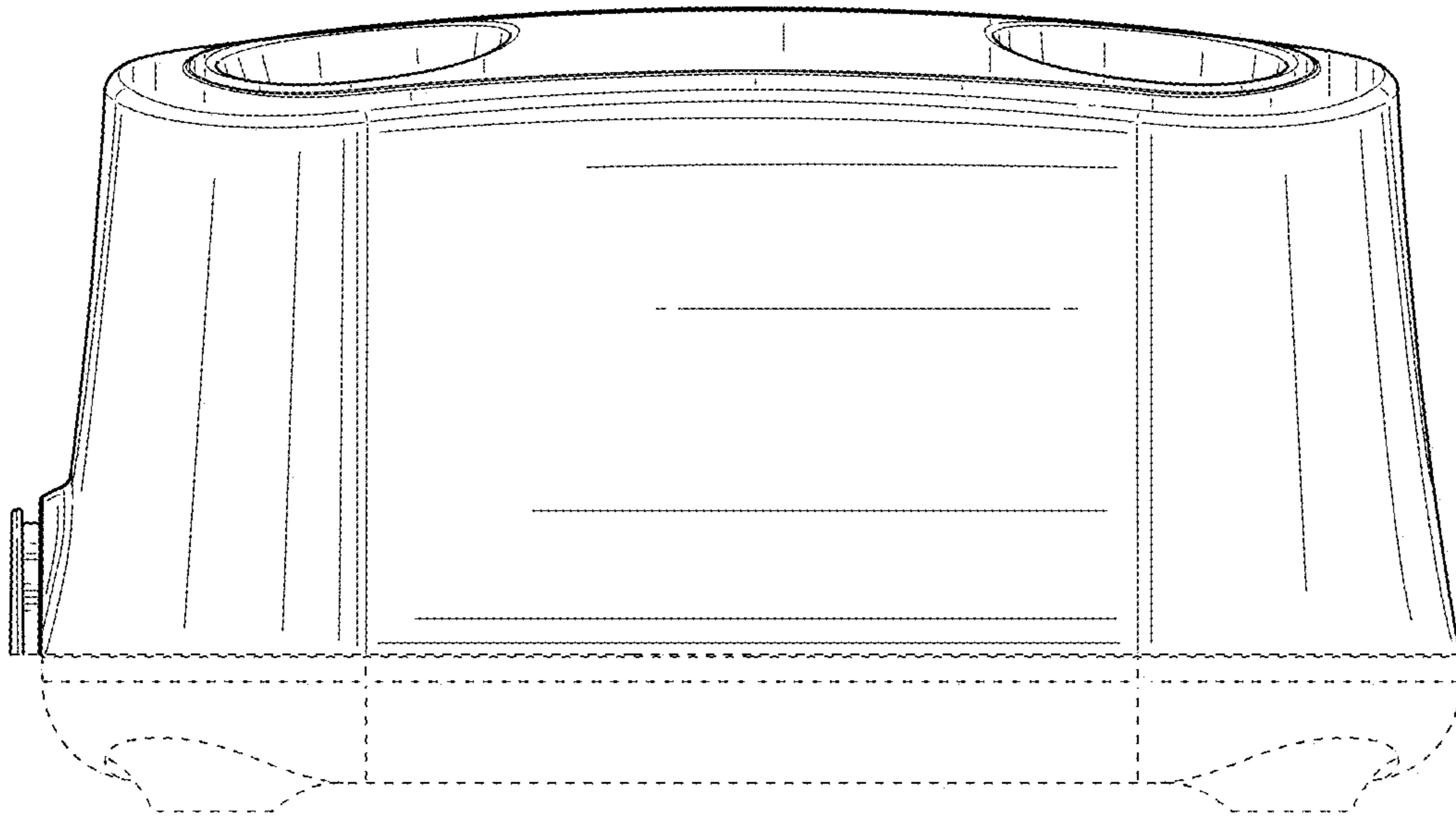


FIG. 2

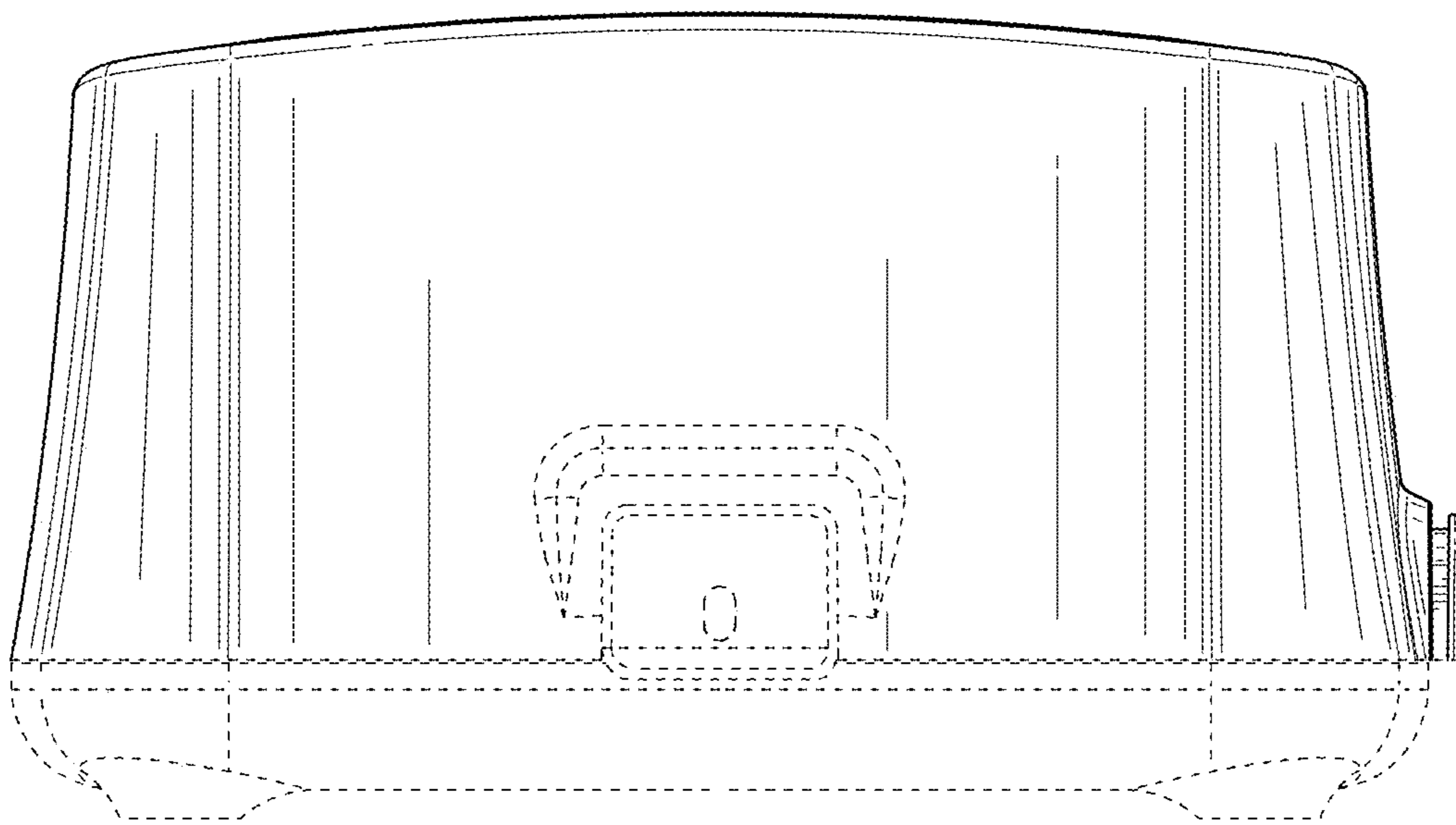


FIG. 3

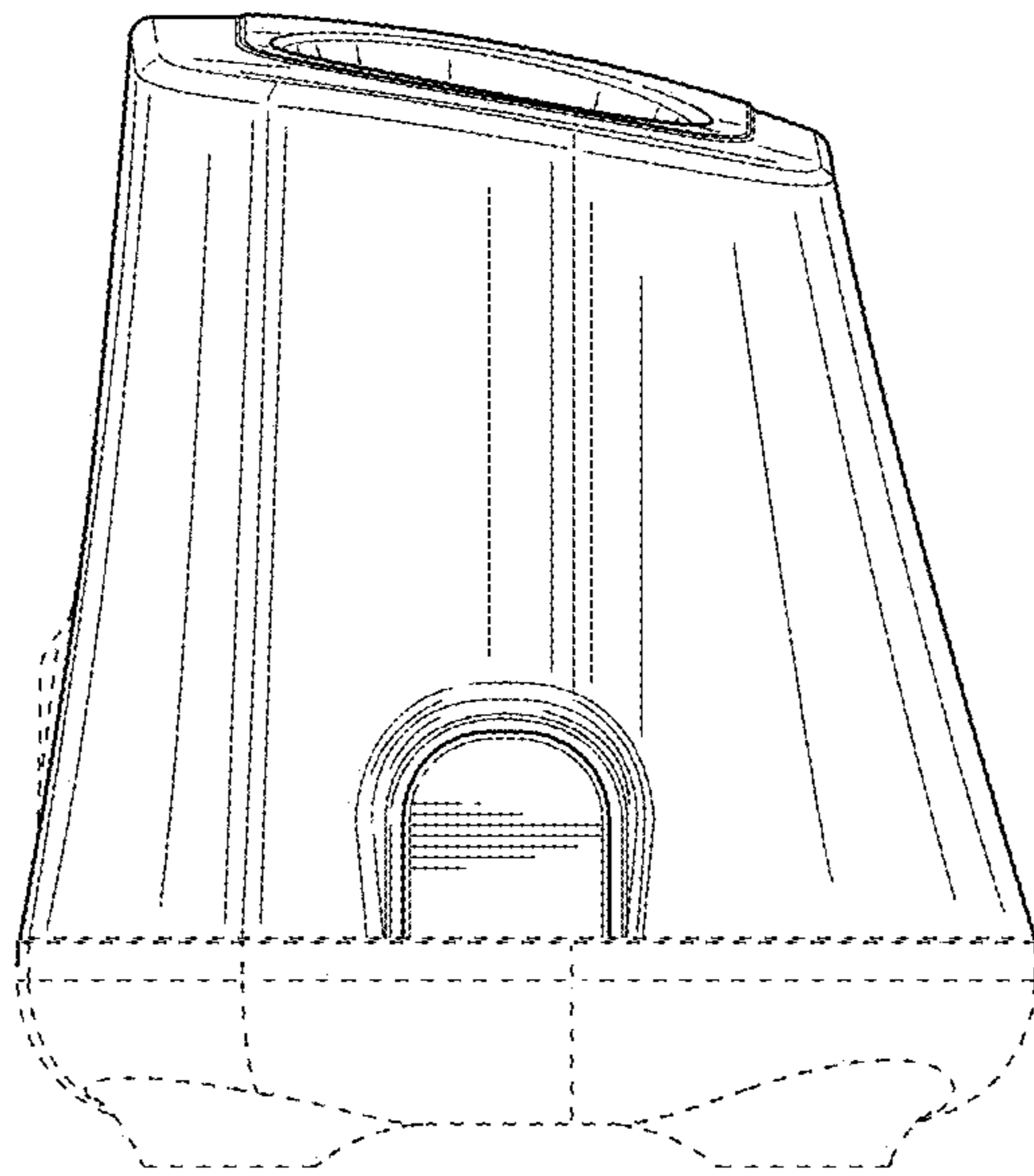


FIG. 4

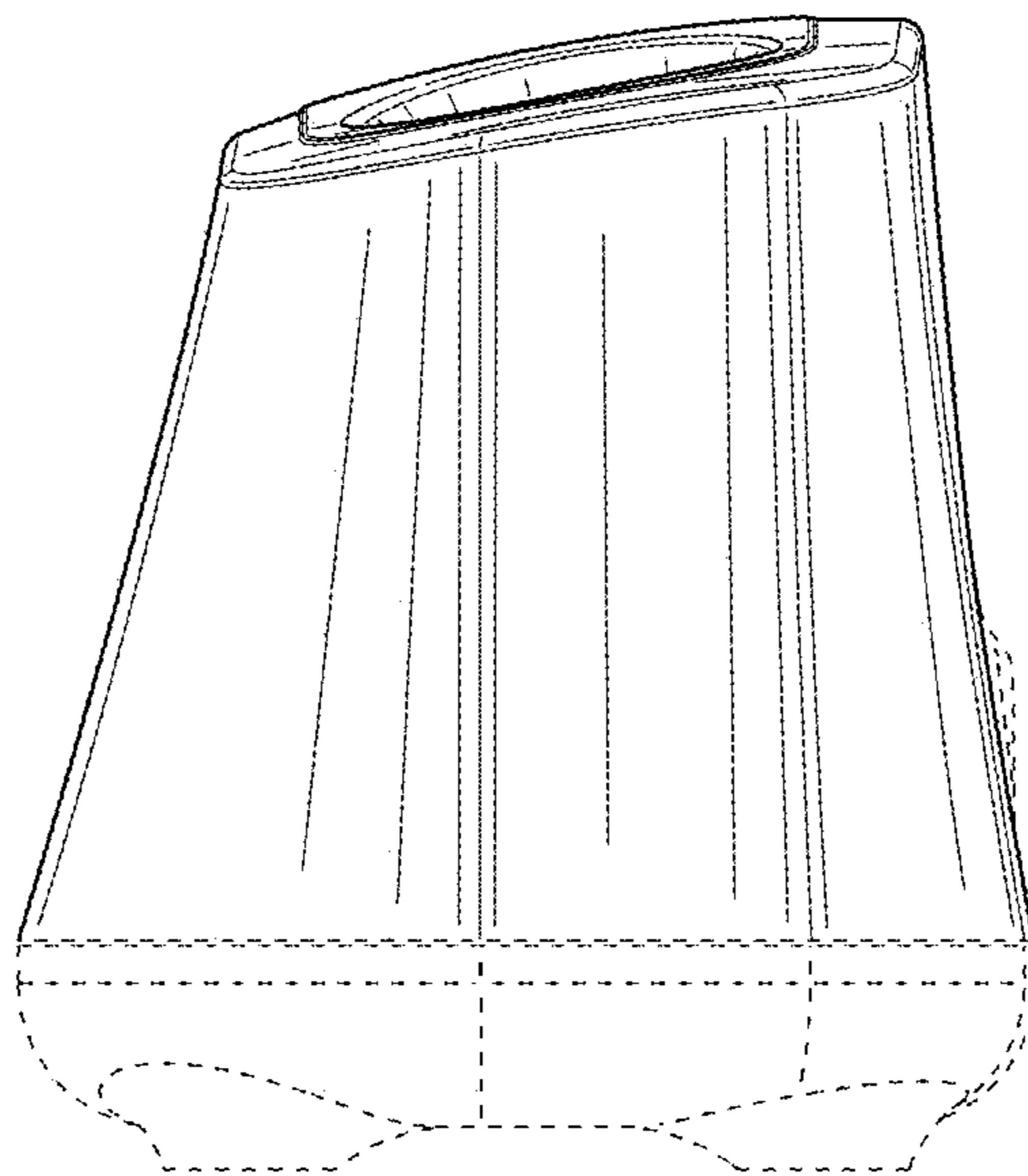


FIG. 5

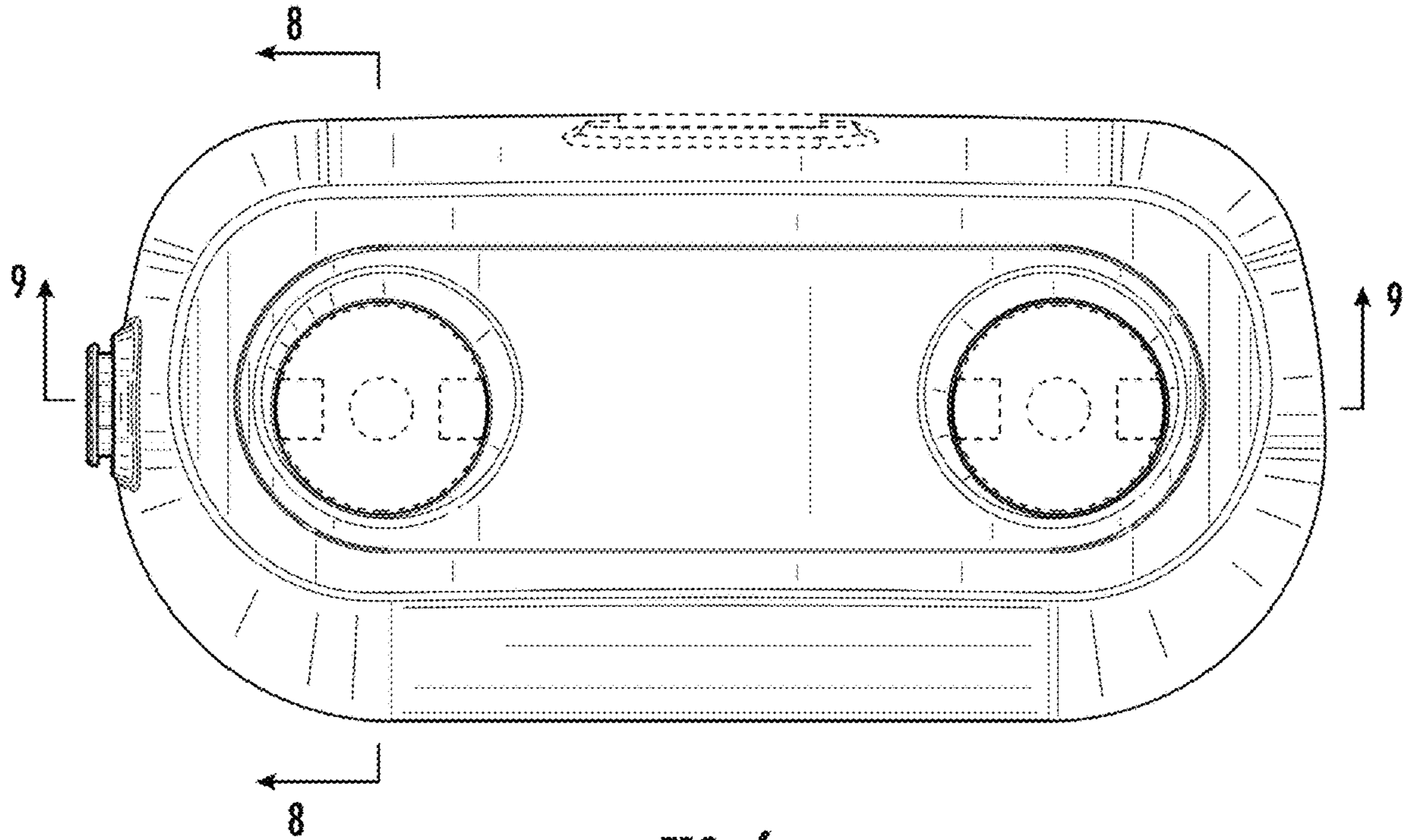


FIG. 6

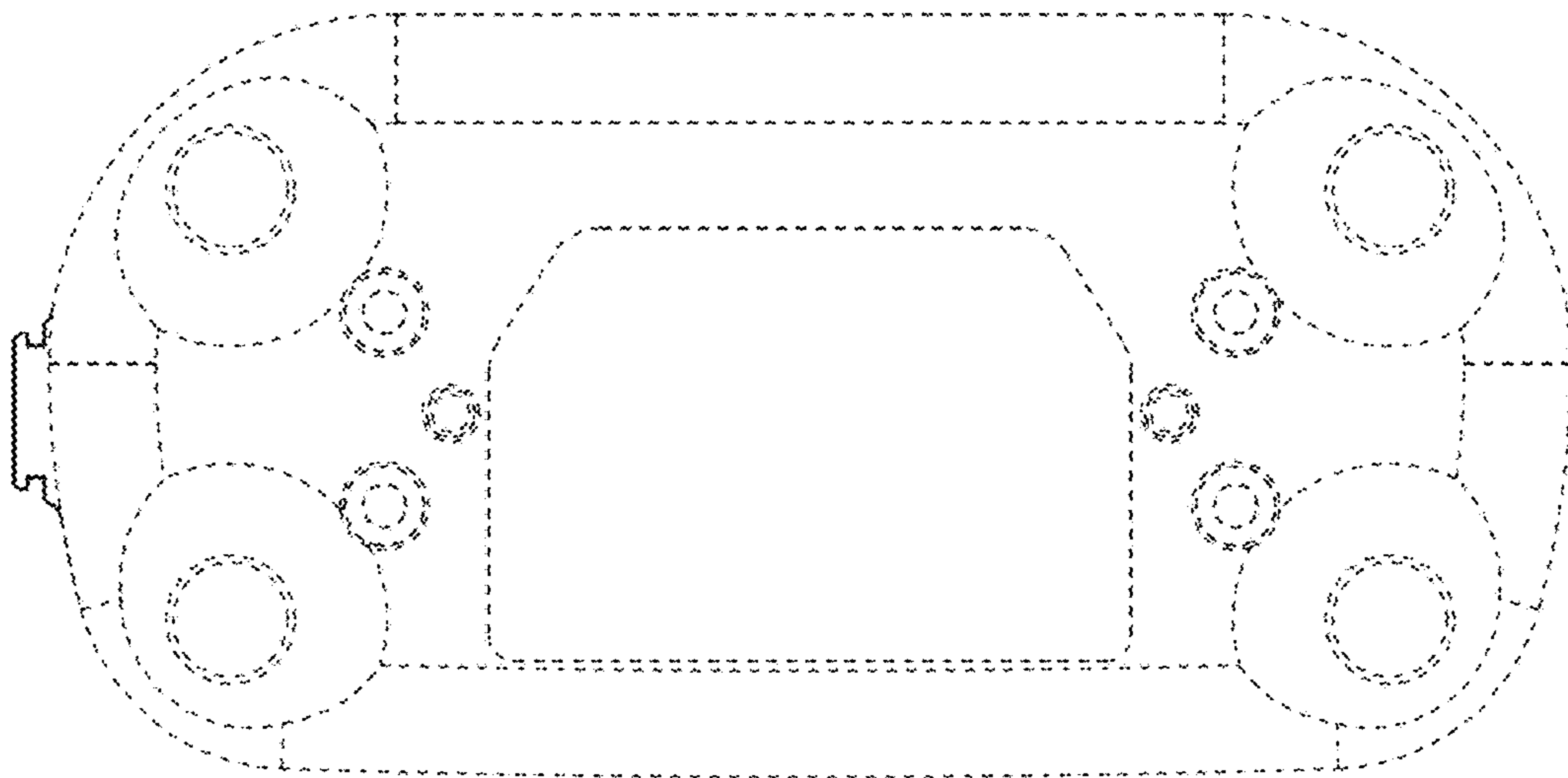


FIG. 7

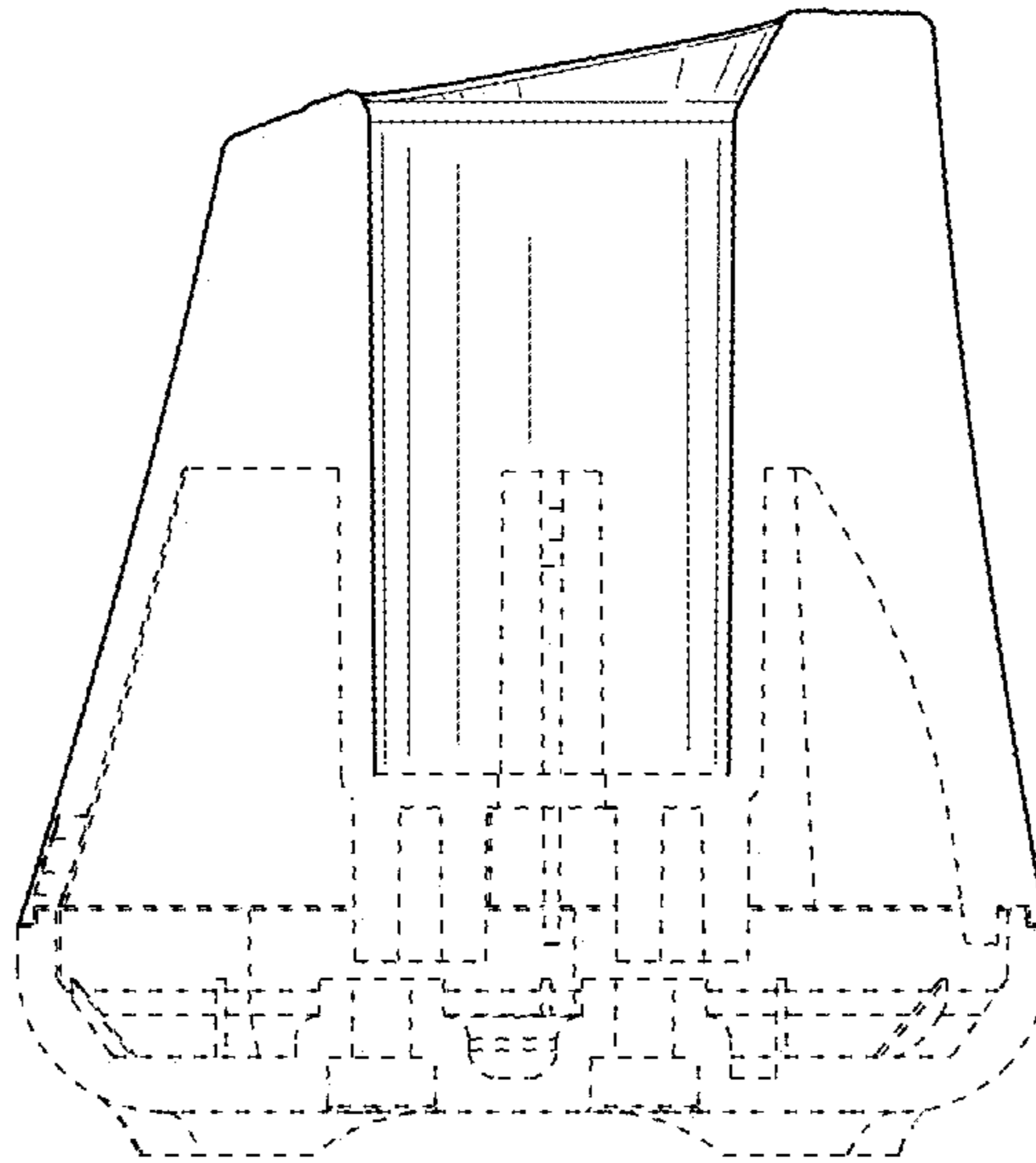


FIG. 8

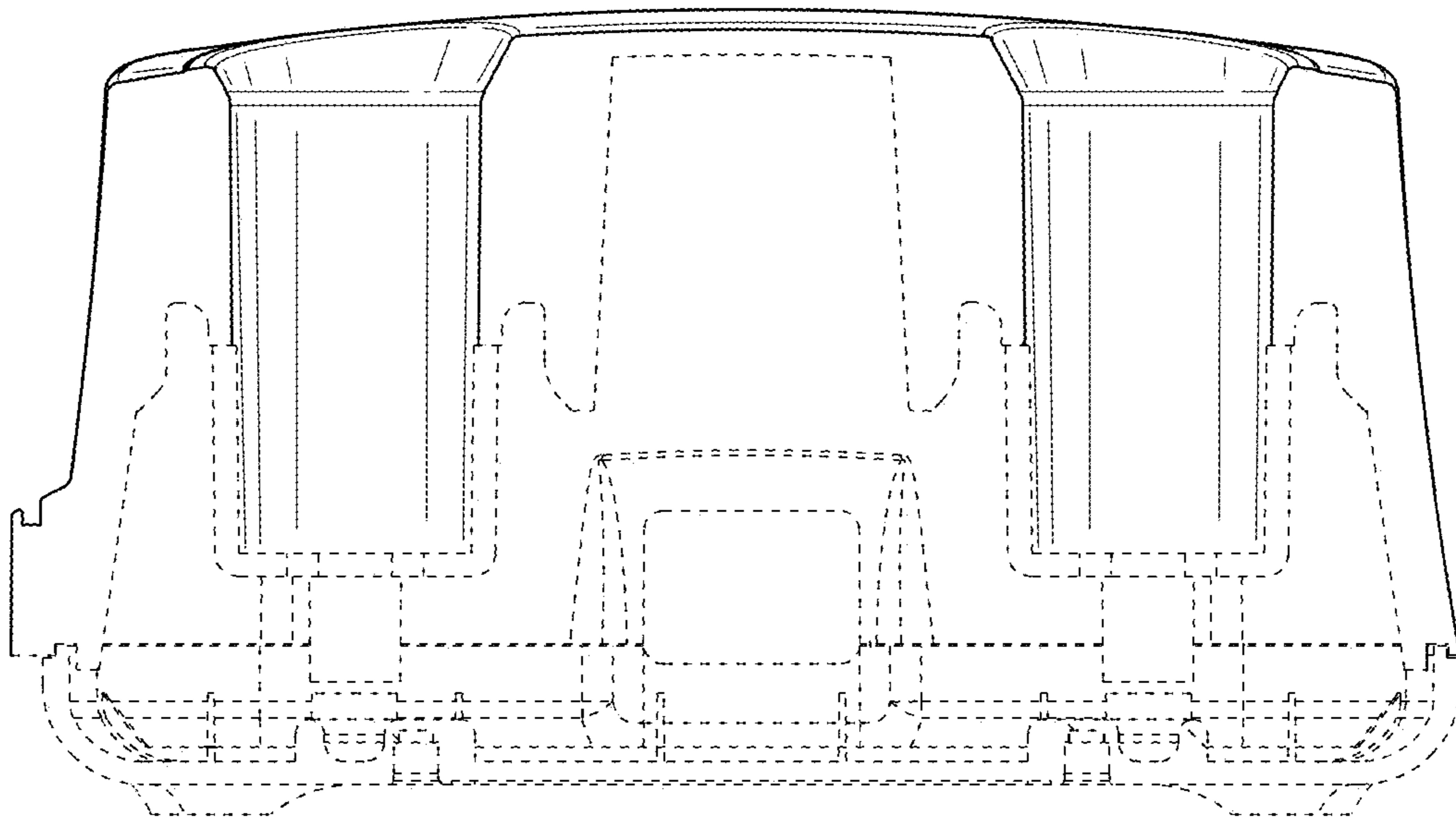


FIG. 9