



US00D958733S

(12) **United States Design Patent**
Balar

(10) **Patent No.:** **US D958,733 S**

(45) **Date of Patent:** **** Jul. 26, 2022**

(54) **BATTERY FOR TABLETOP POINT-OF-SALE
TERMINAL**

(71) Applicant: **Tabletop Media LLC**, Dallas, TX (US)

(72) Inventor: **Viren R. Balar**, Allen, TX (US)

(73) Assignee: **Tabletop Media LLC**, Dallas, TX (US)

(**) Term: **15 Years**

(21) Appl. No.: **29/755,543**

(22) Filed: **Oct. 21, 2020**

Related U.S. Application Data

(63) Continuation of application No. 29/592,460, filed on Jan. 30, 2017, now abandoned.

(51) **LOC (13) Cl.** **13-02**

(52) **U.S. Cl.**
USPC **D13/103**

(58) **Field of Classification Search**

USPC D13/102-110, 118, 119, 153, 154, 184,
D13/199; D14/307; D18/4.5, 4.6
CPC Y02E 60/10; Y02E 60/12; Y02E 60/122;
Y02E 60/124; Y02E 60/50; H01M 2/02;
H01M 2/022; H01M 2/0202; H01M
2/0207; H01M 2/0212; H01M 2/1061;
H01M 2/1022; H01M 2/1055; H01M
2/1066; H01M 2/105; H01M 2/20; H01M
2/202; H01M 2/204; H01M 2/206; H01M
10/44; H01M 10/46; H01M 10/465;
H01M 10/482; H01M 10/4257; H01M
10/0436; H01M 10/48; H01M 2200/30;
H01M 2250/30; H01M 2250/40; H02J
7/00; H02J 7/0003; H02J 7/0011; H02J
7/0013; H02J 7/0054; H02J 7/0055; H02J
7/0057; H02J 7/0034; H02J 7/1423;
Y02T 10/7005; Y02T 10/705; Y02T
10/7088; B60L 11/182

See application file for complete search history.

(56) **References Cited**

U.S. PATENT DOCUMENTS

D664,921	S	*	8/2012	Stone	D13/110
D665,340	S	*	8/2012	Obata	D13/103
D744,945	S	*	12/2015	Bates	D13/107
D756,913	S	*	5/2016	Esses	D13/107
D762,172	S	*	7/2016	Pignotti	D13/108
D765,592	S	*	9/2016	Friend	D13/103
D772,185	S	*	11/2016	Moninski	D13/184
D782,466	S	*	3/2017	Yepez	D14/307
D790,453	S	*	6/2017	Tinius	D13/103
D841,572	S	*	2/2019	Gilpatrick	D13/103
D844,556	S	*	4/2019	Irfan	D13/103
D844,561	S	*	4/2019	Gou	D13/110
D850,366	S	*	6/2019	Zou	D13/108
D861,596	S	*	10/2019	Oliver	D13/107
D910,550	S	*	2/2021	Bell	D13/107

(Continued)

Primary Examiner — Christy Nemeth

(74) *Attorney, Agent, or Firm* — Ferguson Braswell
Fraser Kubasta PC

(57) **CLAIM**

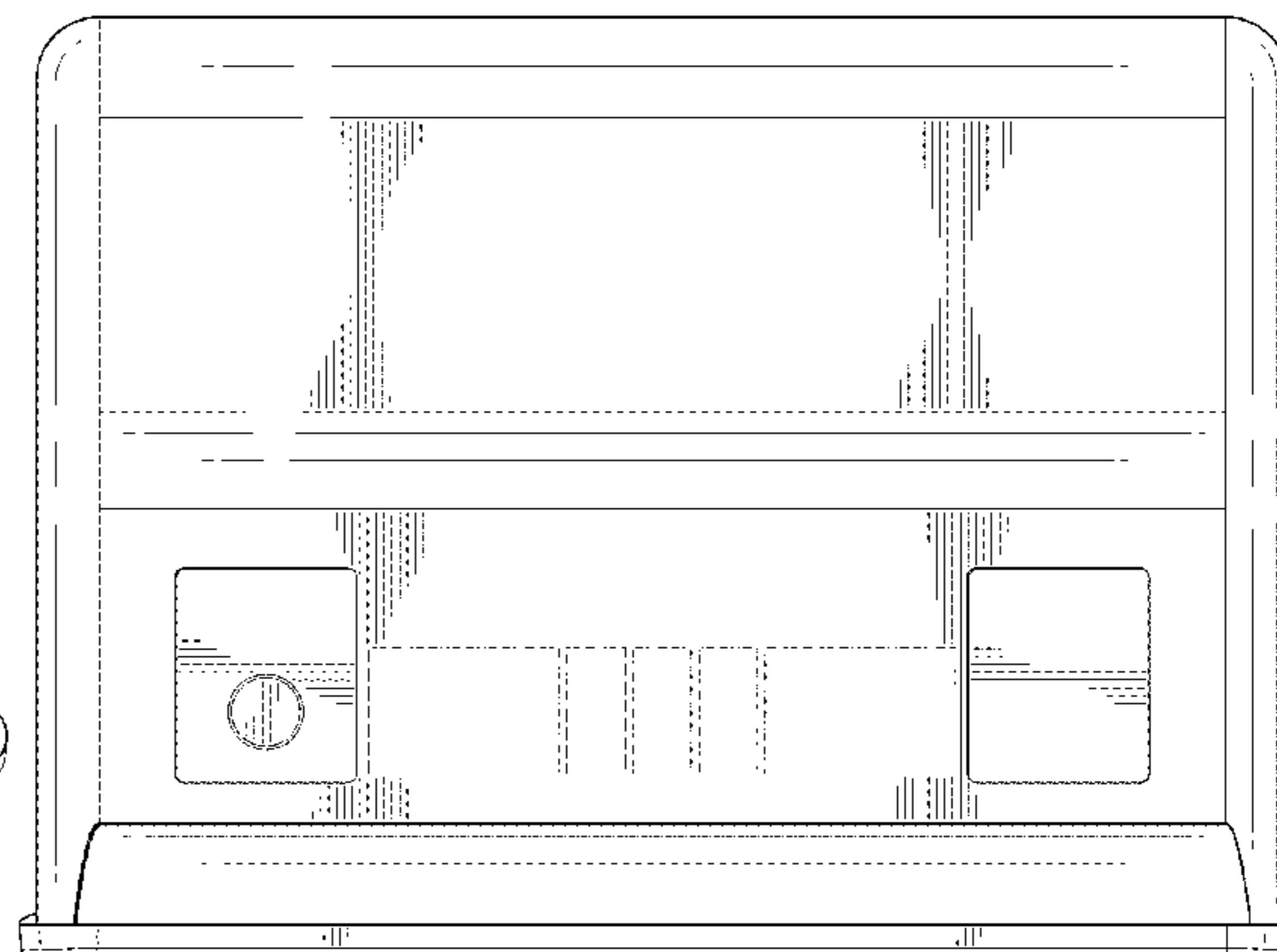
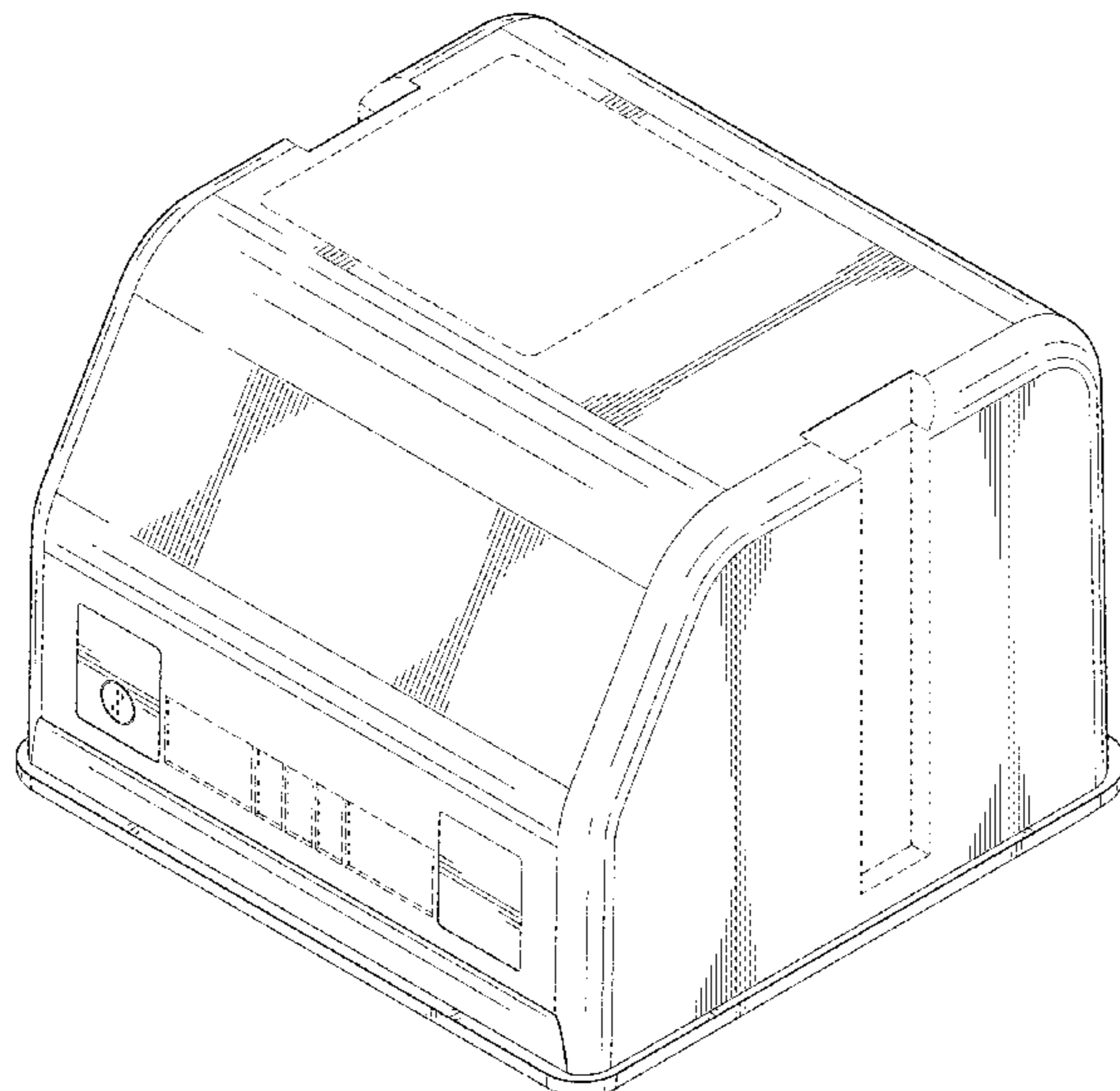
The ornamental design for a battery for tabletop point-of-sale terminal, as shown and described.

DESCRIPTION

FIG. 1 is a front perspective view of a battery for tabletop point-of-sale terminal of my new design; FIG. 2 is a front elevation view thereof; FIG. 3 is a rear elevation view thereof; FIG. 4 is a right side view thereof; FIG. 5 is a left side view thereof; FIG. 6 is a top view thereof; and, FIG. 7 is a bottom view thereof.

The broken lines in the drawings depict portions of the battery for tabletop point-of-sale terminal that form no part of the claimed design.

1 Claim, 7 Drawing Sheets



(56)

References Cited

U.S. PATENT DOCUMENTS

D911,933	S *	3/2021	Dong	D13/104
D912,614	S *	3/2021	Wurden	D13/103
D912,621	S *	3/2021	Qiu	D13/108
D921,102	S *	6/2021	Iwata	D18/4.5
2018/0194235	A1 *	7/2018	Kim	B60L 50/64
2021/0050565	A1 *	2/2021	Zhao	H01M 50/172

* cited by examiner

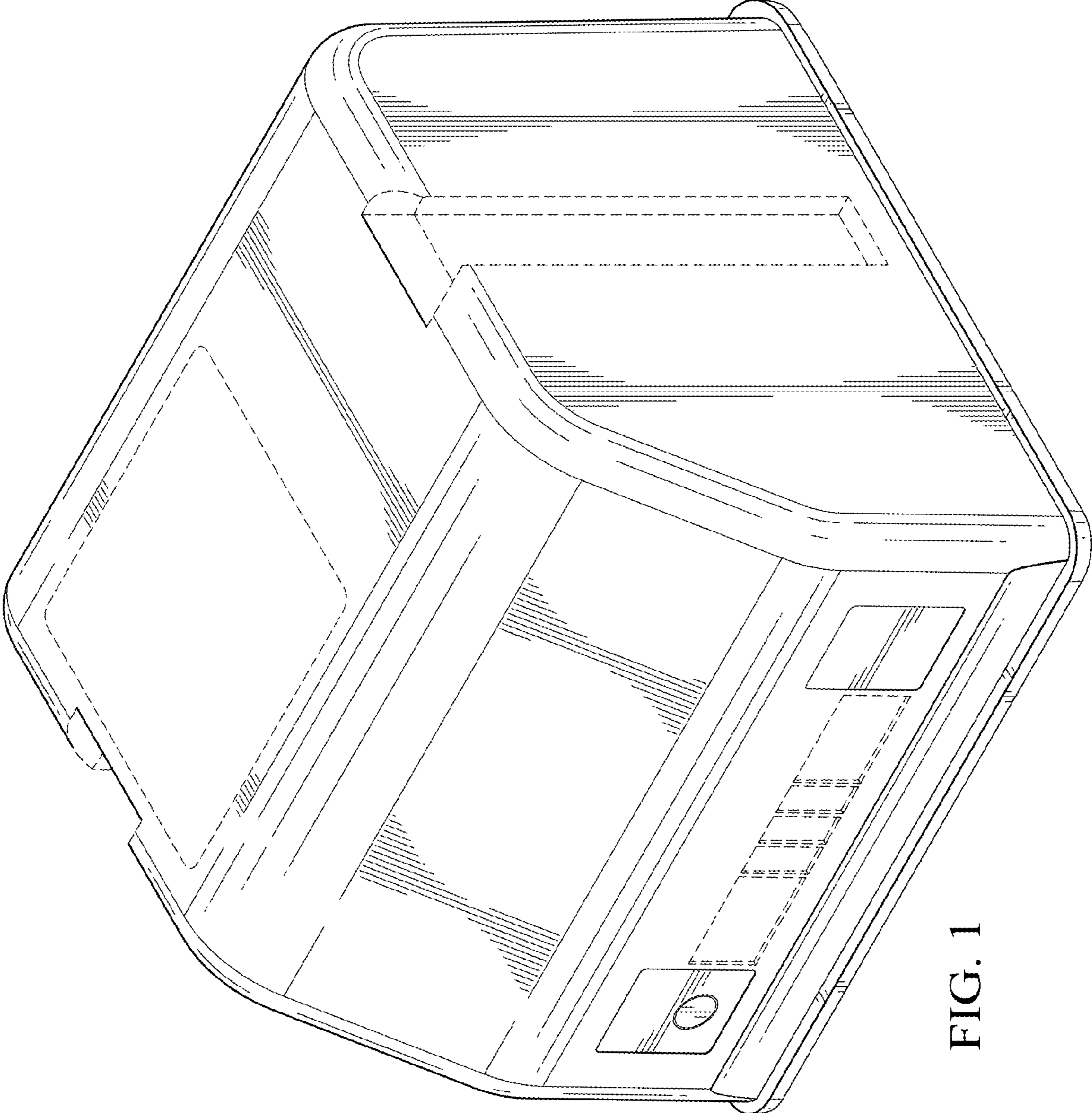


FIG. 1

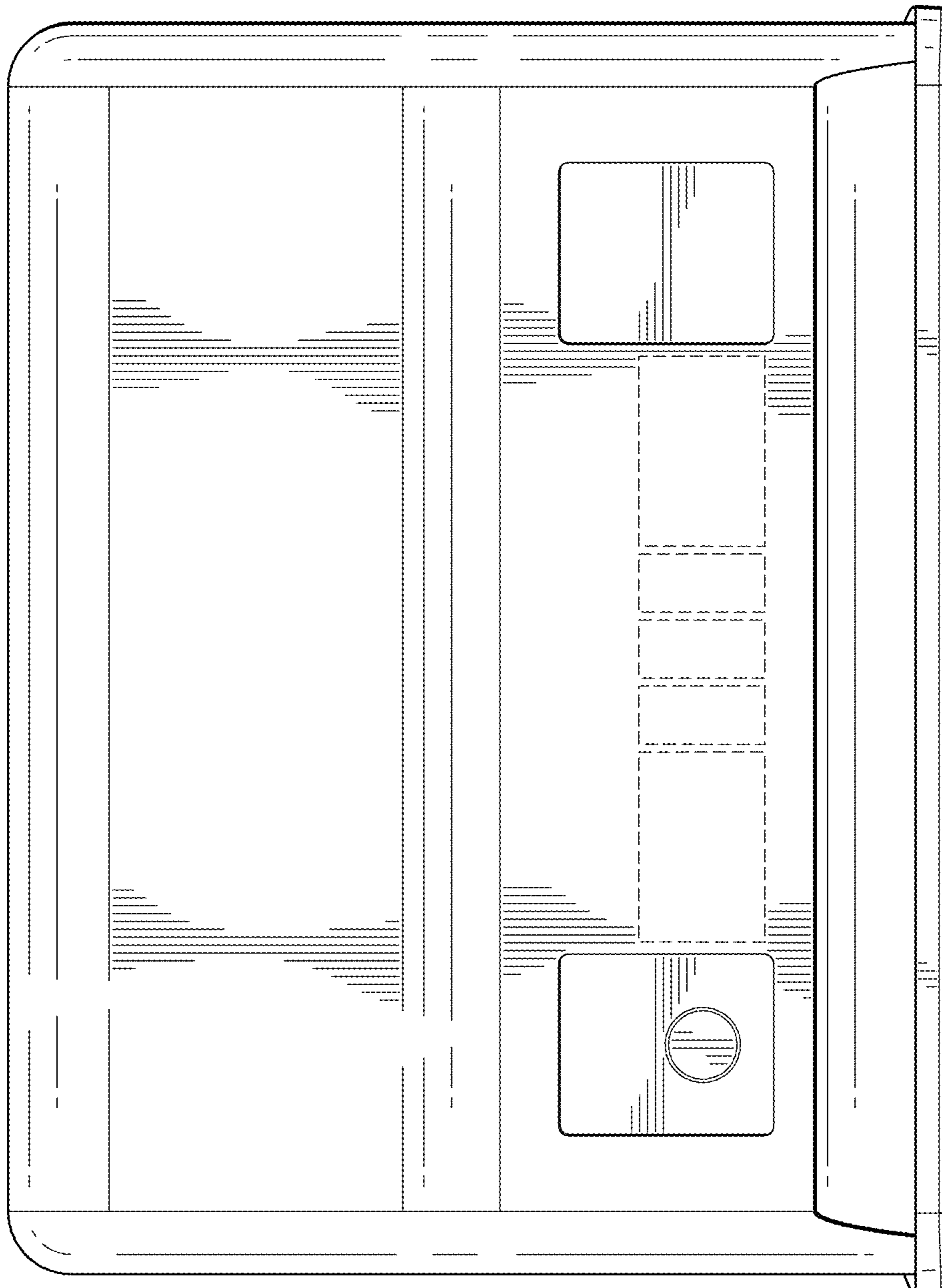


FIG. 2

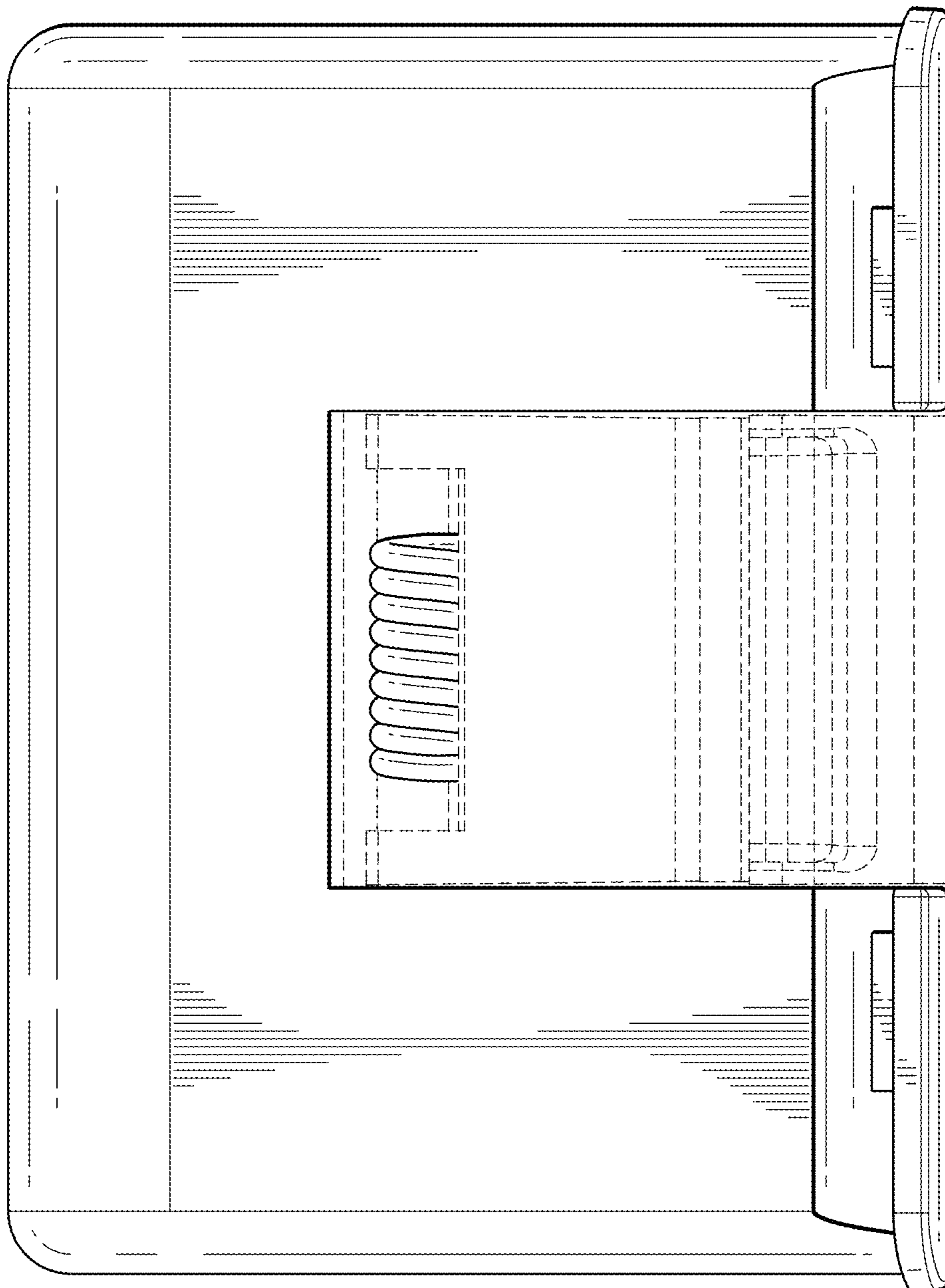


FIG. 3

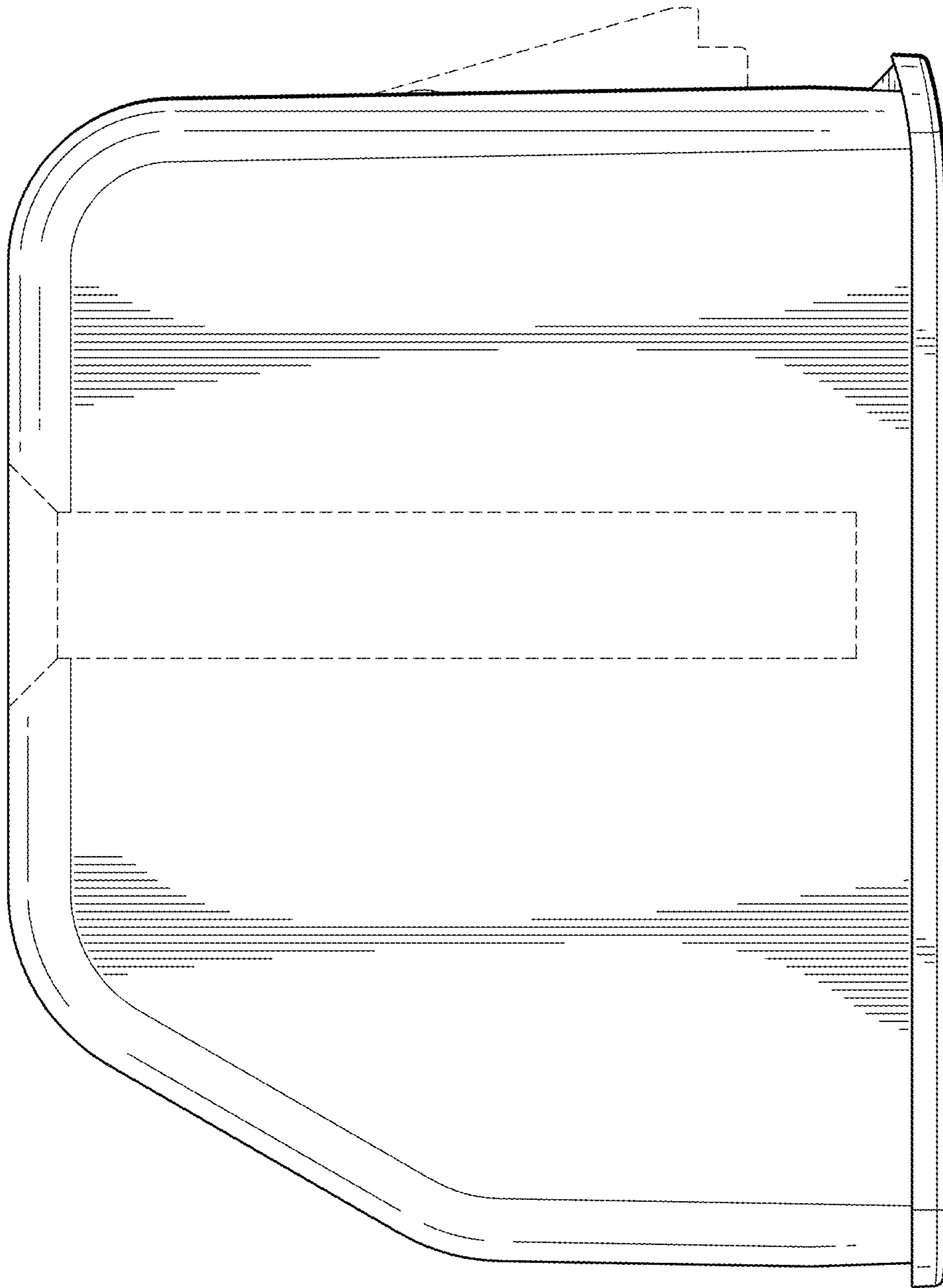


FIG. 4

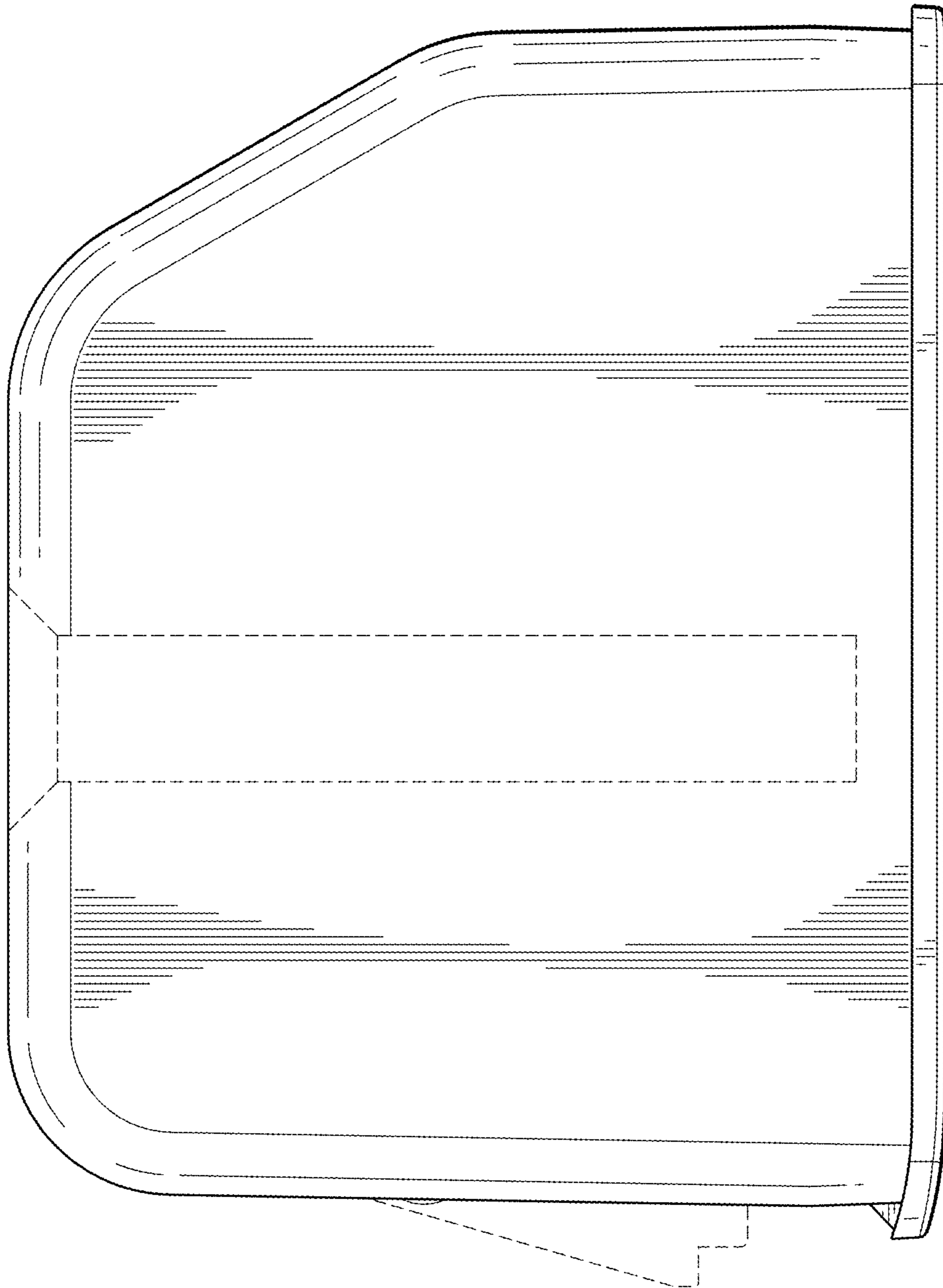


FIG. 5

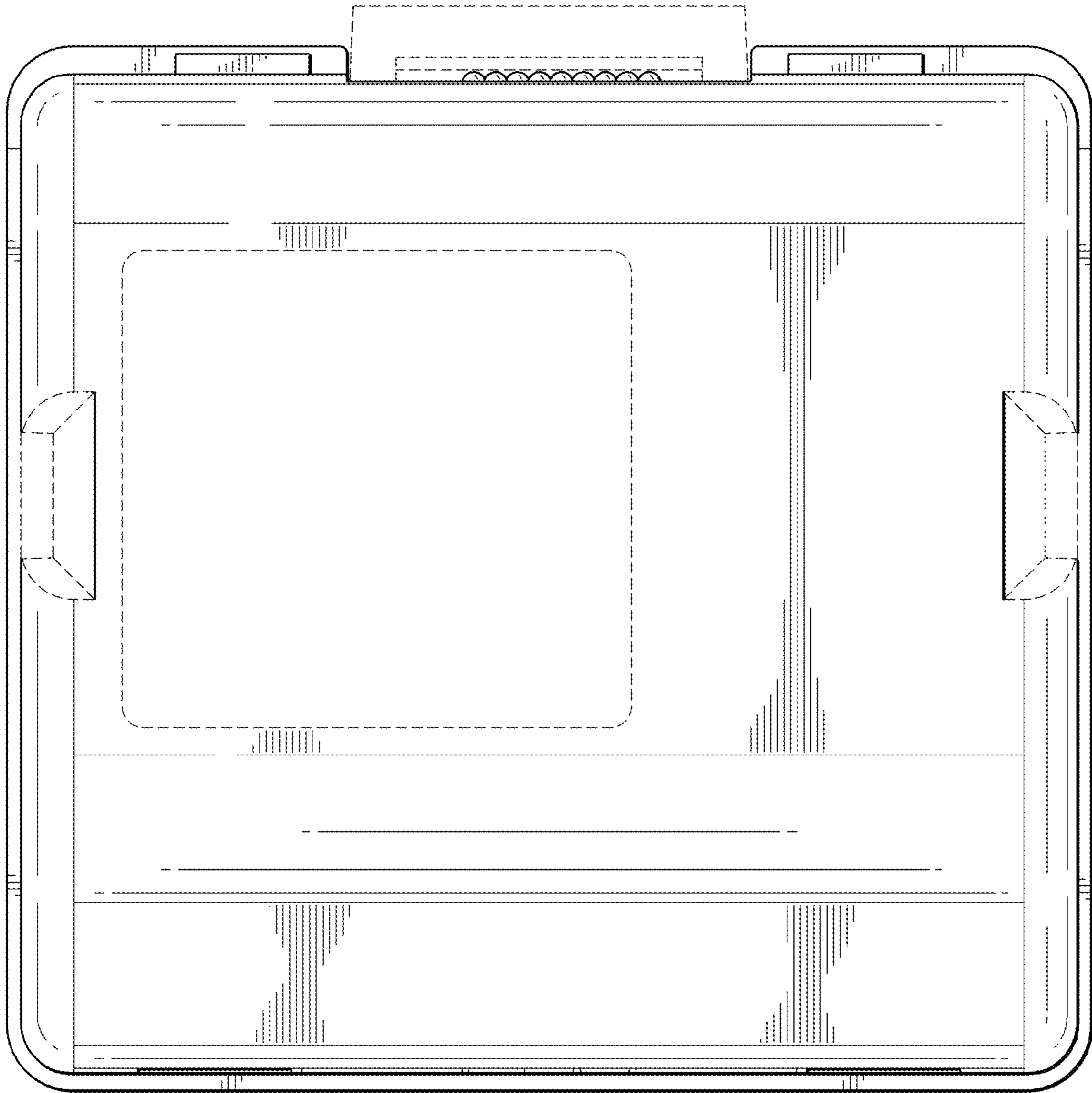


FIG. 6

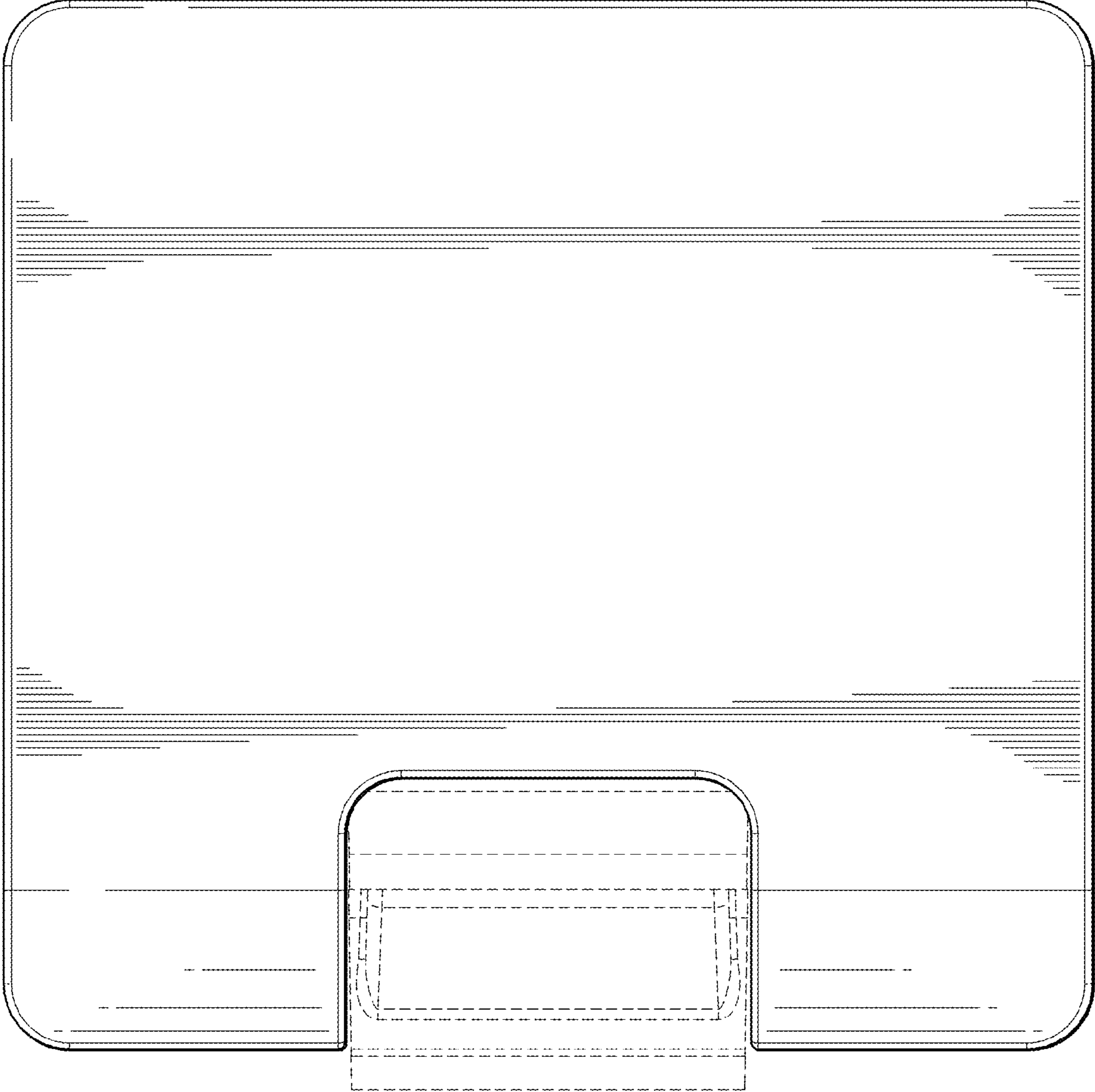


FIG. 7