



US00D958732S

(12) **United States Design Patent**
Niedzwecki

(10) **Patent No.:** **US D958,732 S**

(45) **Date of Patent:** **** Jul. 26, 2022**

(54) **BATTERY PACK**

H02J 7/0057; Y02T 10/7005; Y02T
10/705; Y02T 10/7088

(71) Applicant: **SharkNinja Operating, LLC**,
Needham, MA (US)

See application file for complete search history.

(72) Inventor: **Scott Niedzwecki**, East Walpole, MA
(US)

(56) **References Cited**

(73) Assignee: **SHARKNINJA OPERATING LLC**,
Needham, MA (US)

U.S. PATENT DOCUMENTS

(**) Term: **15 Years**

(21) Appl. No.: **29/754,650**

D725,031 S *	3/2015	Tinius	D13/103
D868,685 S *	12/2019	Niedzwecki	D13/103
D898,663 S *	10/2020	Niedzwecki	D13/103
D913,214 S *	3/2021	Duman	D13/103
D913,227 S *	3/2021	Chen	D13/110
D922,938 S *	6/2021	Sexton	D13/103
D933,591 S *	10/2021	Liu	D13/103
D933,593 S *	10/2021	Zhan	D13/107
D940,067 S *	1/2022	Yi	D13/103

(22) Filed: **Oct. 13, 2020**

* cited by examiner

Related U.S. Application Data

(60) Division of application No. 29/658,917, filed on Aug.
3, 2018, now Pat. No. Des. 898,663, which is a
continuation of application No. 29/614,904, filed on
Aug. 24, 2017, now Pat. No. Des. 868,685.

Primary Examiner — Christy Nemeth

(74) *Attorney, Agent, or Firm* — Grossman, Tucker,
Perreault & Pflieger, PLLC

(51) **LOC (13) Cl.** **13-02**

(57) **CLAIM**

(52) **U.S. Cl.**
USPC **D13/103**

The ornamental design for a battery pack, as shown and
described.

(58) **Field of Classification Search**
USPC D13/102–110, 118, 119, 153, 154, 184,
D13/199

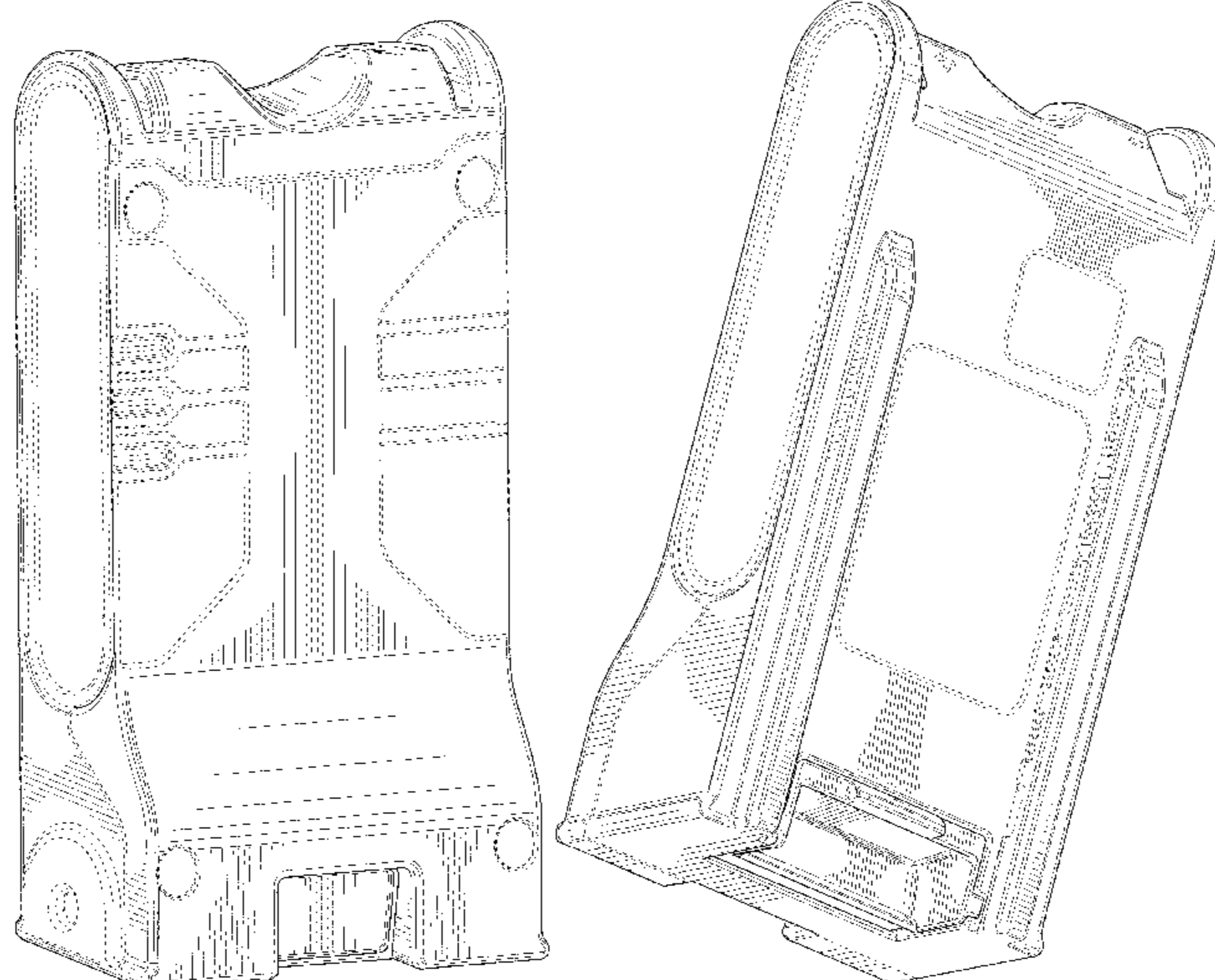
DESCRIPTION

CPC Y02E 60/10; Y02E 60/12; Y02E 60/122;
Y02E 60/124; Y02E 60/50; H01M 2/02;
H01M 2/022; H01M 2/0202; H01M
2/0207; H01M 2/0212; H01M 2/1061;
H01M 2/1022; H01M 2/1055; H01M
2/1066; H01M 2/105; H01M 2/20; H01M
2/202; H01M 2/204; H01M 2/206; H01M
2200/30; H01M 2250/30; H01M 2250/40;
H01M 10/44; H01M 10/46; H01M
10/465; H01M 10/482; H01M 10/4257;
H01M 10/0436; H01M 10/48; H01M
10/6235; H02J 7/0034; H02J 7/0054;
H02J 7/1423; H02J 7/00; H02J 7/0003;
H02J 7/0011; H02J 7/0013; H02J 7/0055;

FIG. 1 is a perspective view of a battery pack, showing the
new design;
FIG. 2 is a top view thereof;
FIG. 3 is a bottom view thereof;
FIG. 4 is a left side view thereof;
FIG. 5 is a right side view thereof;
FIG. 6 is a front view thereof;
FIG. 7 is a rear view thereof; and,
FIG. 8 is a bottom perspective view thereof.

The broken lines in the drawings are for the purpose of
illustrating portions of the article that form no part of the
claimed design.

1 Claim, 8 Drawing Sheets



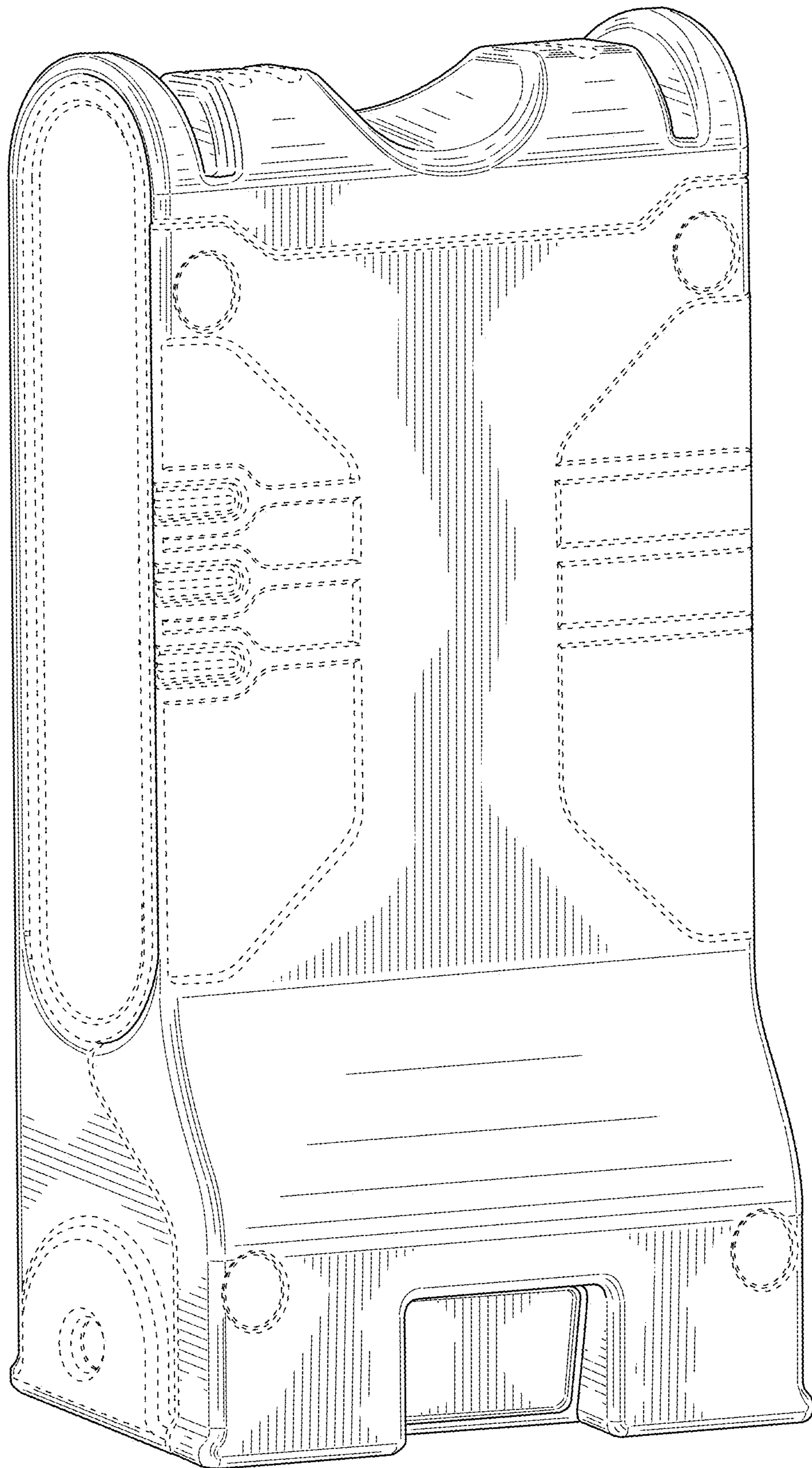


FIG. 1

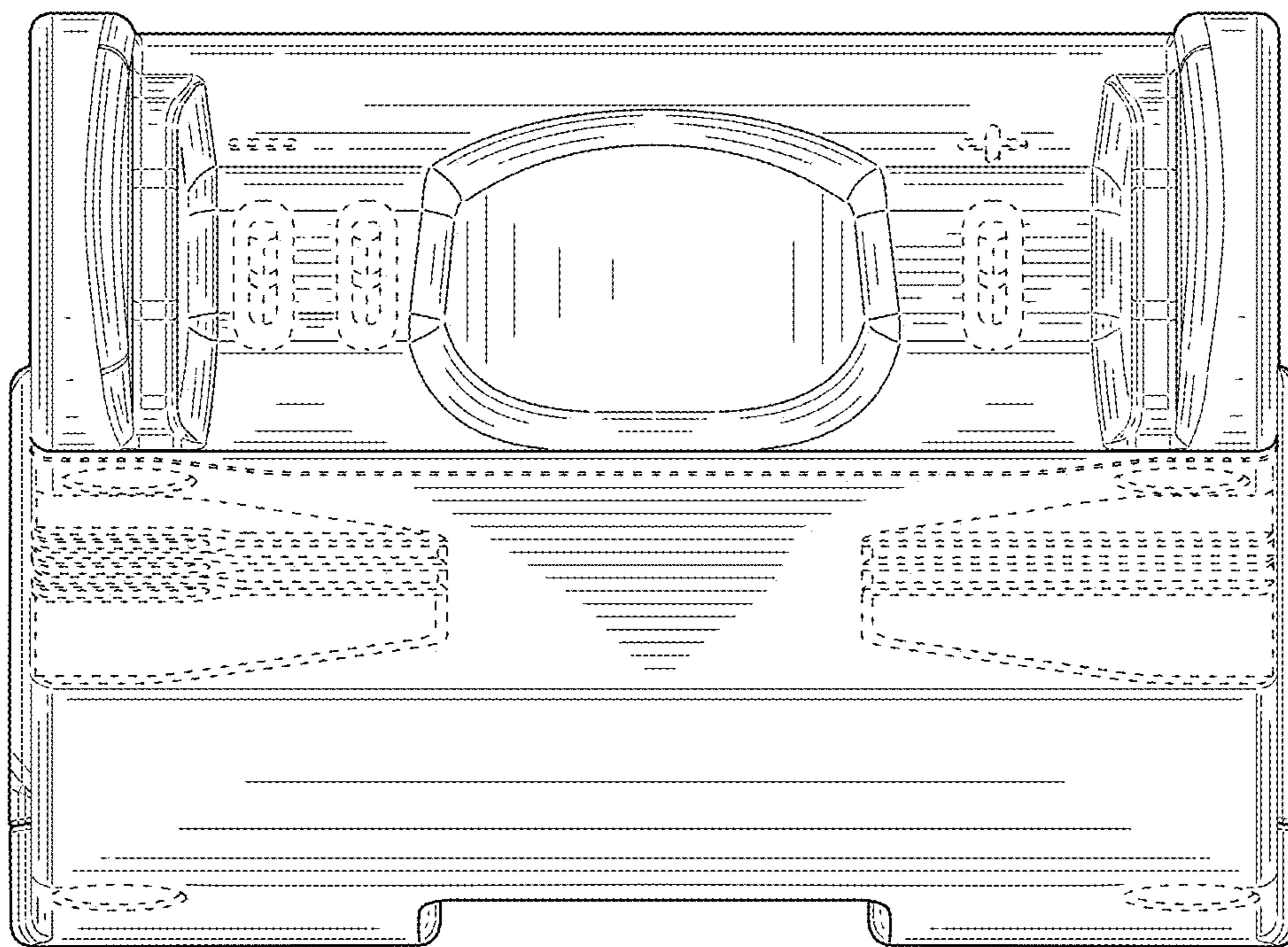


FIG. 2

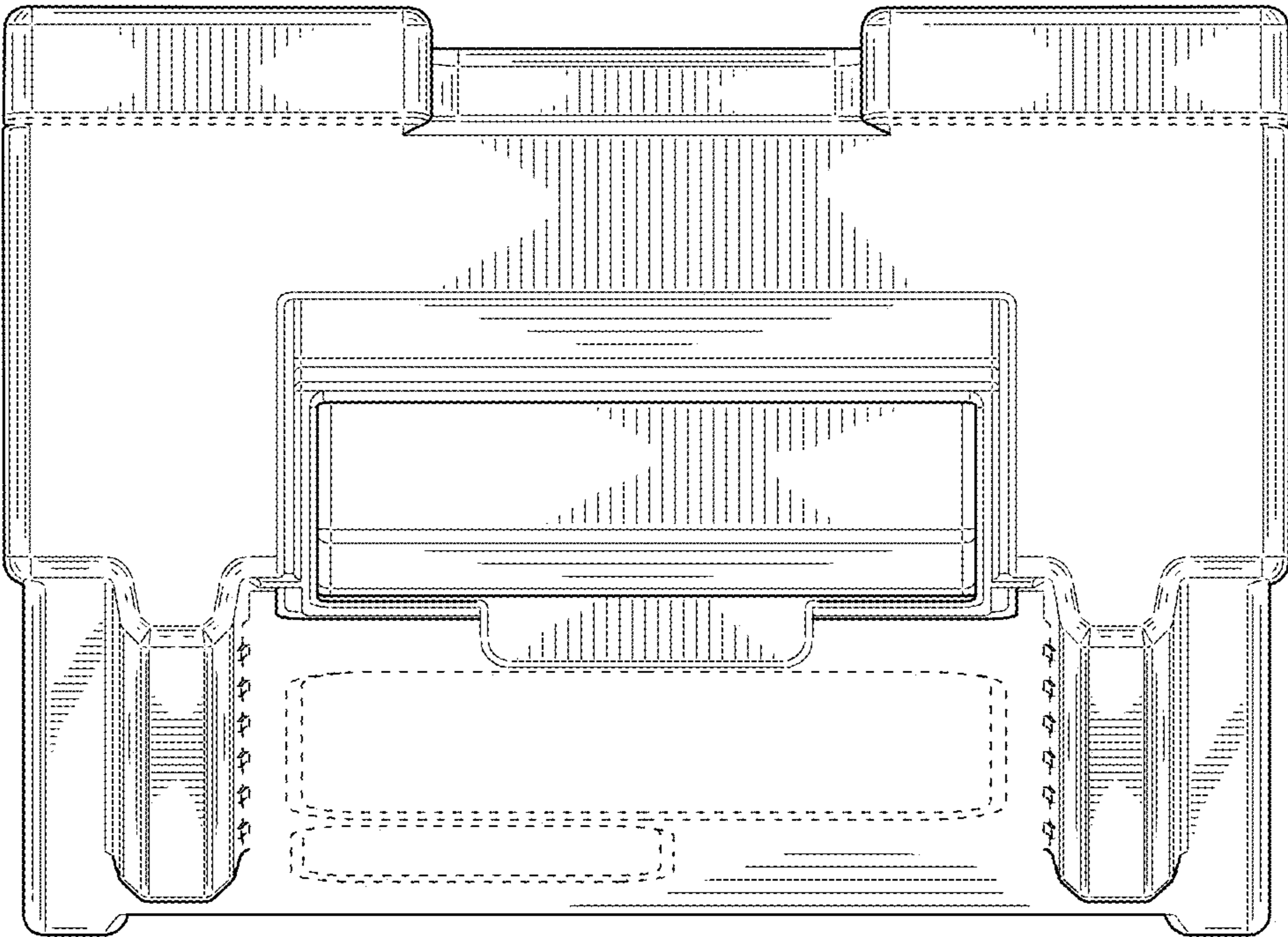


FIG. 3

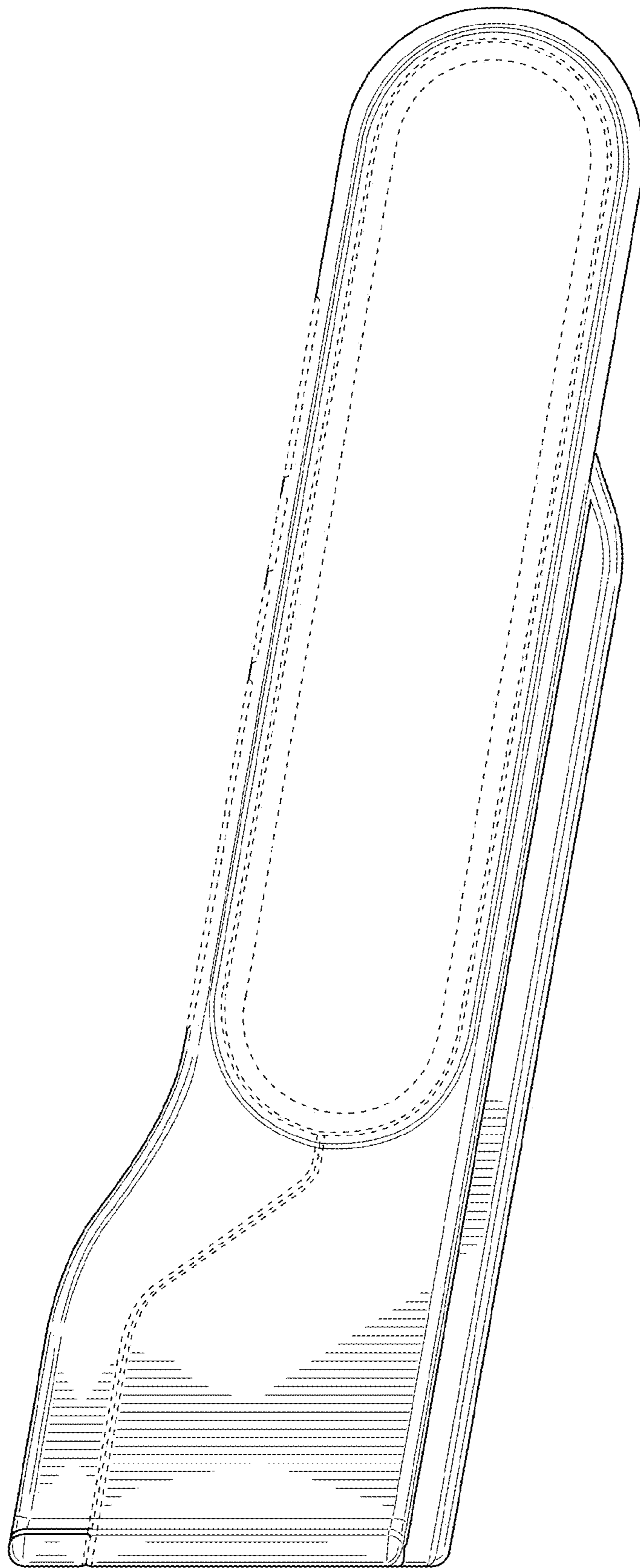


FIG. 4

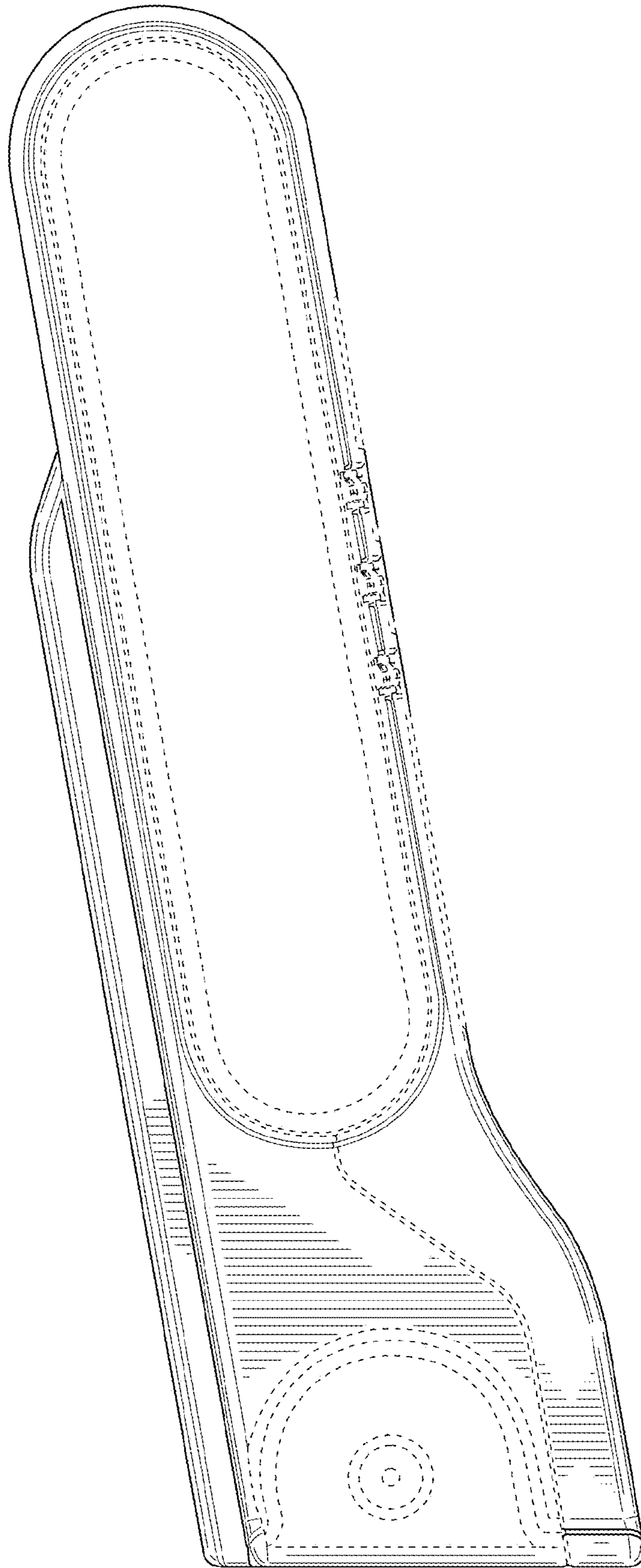


FIG. 5

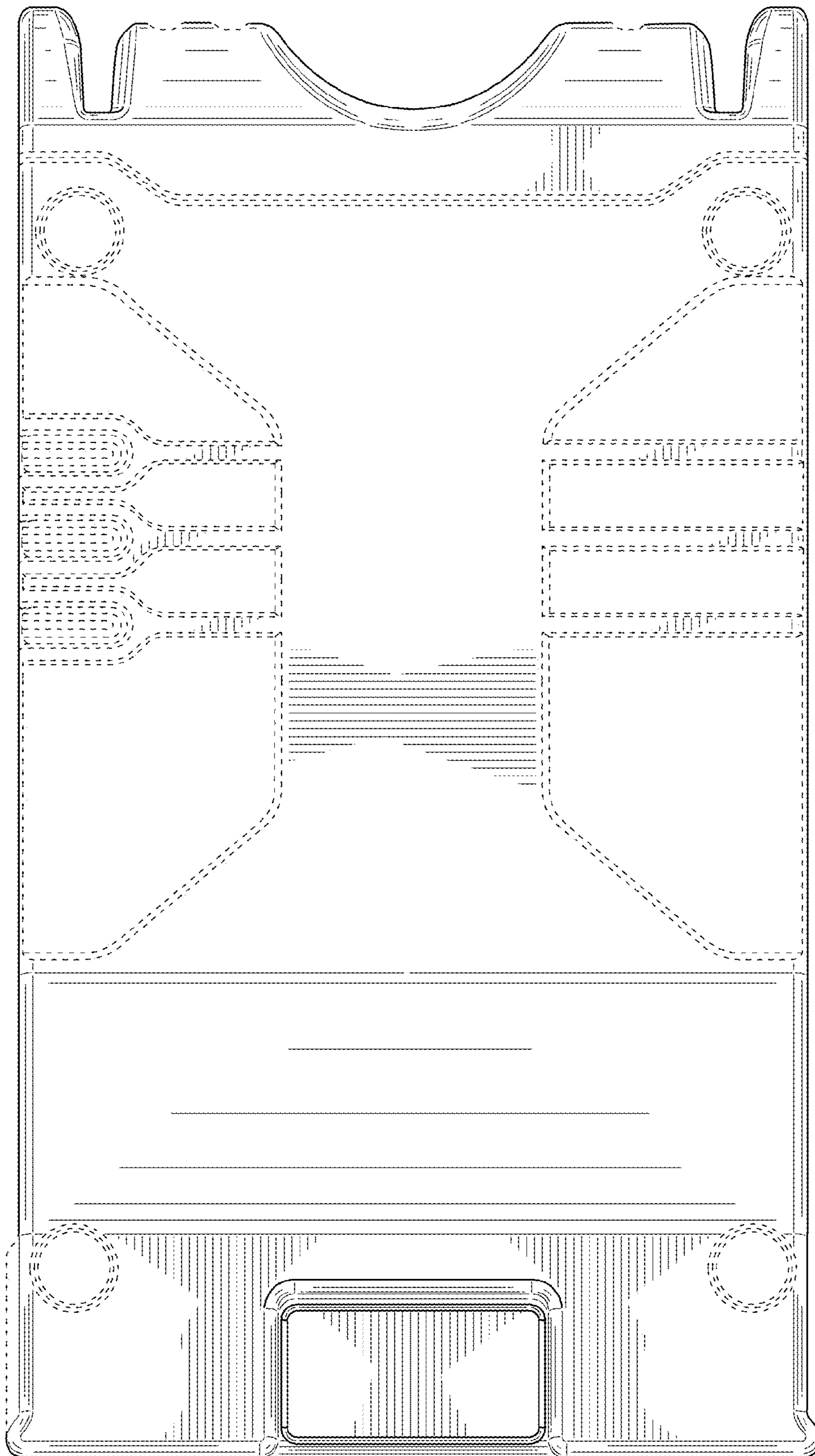


FIG. 6

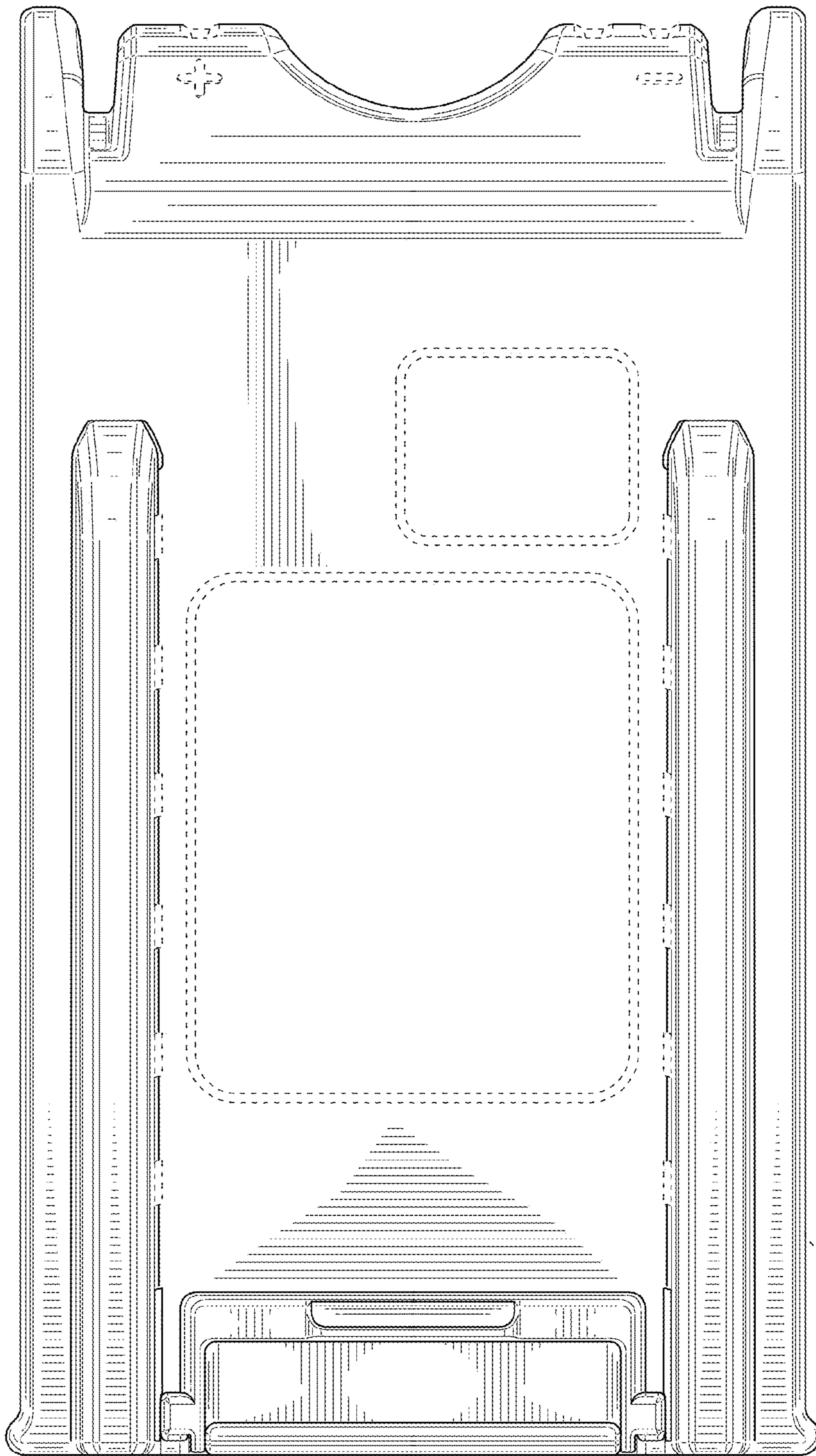


FIG. 7

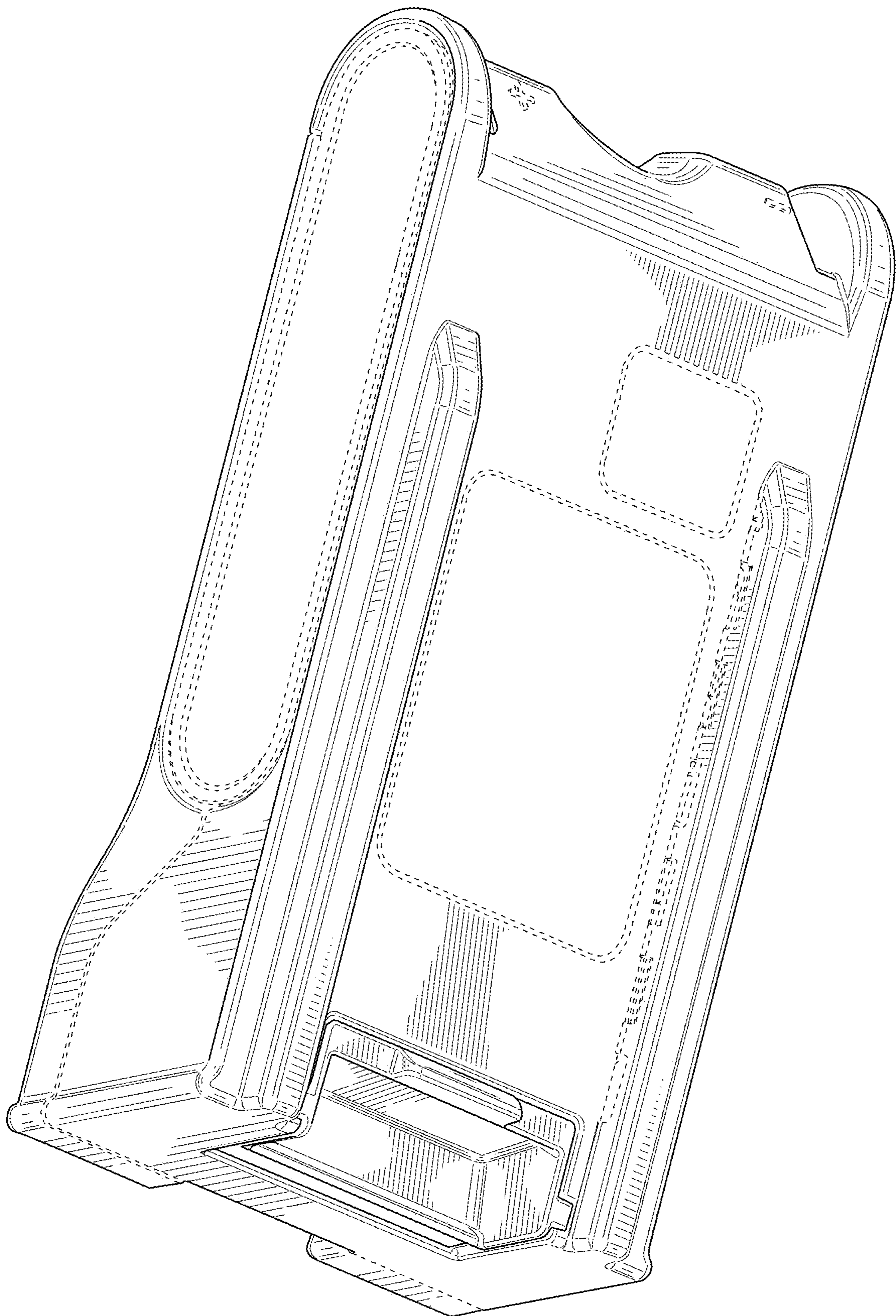


FIG. 8