



US00D958731S

(12) **United States Design Patent**  
**Ruffing et al.**

(10) **Patent No.:** **US D958,731 S**  
(45) **Date of Patent:** **\*\* Jul. 26, 2022**

(54) **FLAT BATTERY PACK**

(71) Applicant: **RRC Power Solutions GmbH**,  
Homburg (DE)

(72) Inventors: **Gerhard Ruffing**, Homburg (DE);  
**Romuald Muckli**, Berling (FR); **Marco**  
**Massierer**, Sankt-Wendel (DE)

(73) Assignee: **RRC POWER SOLUTIONS GMBH**

(\*\*) Term: **15 Years**

(21) Appl. No.: **29/679,458**

(22) Filed: **Feb. 6, 2019**

(30) **Foreign Application Priority Data**

Aug. 7, 2018 (EM) ..... 005569076-0001

(51) **LOC (13) Cl.** ..... **13-02**

(52) **U.S. Cl.**  
USPC ..... **D13/103**

(58) **Field of Classification Search**  
USPC ..... D13/102, 103, 107, 108, 110, 112, 113,  
D13/118, 119, 184, 199  
CPC ..... Y02T 10/7005; Y02T 10/705; Y02T  
10/7088; H02J 7/025; H02J 7/0042; H02J  
7/0044; H02J 7/0045; H02J 7/0003; H01F  
38/14; H01M 2/02; H01M 2/022; H01M  
2/0202; H01M 2/0207; H01M 2/0212;  
H01M 2/1061; H01M 2/1022; H01M  
2/1055; H01M 2/1066; H01M 2/105;  
H01M 2/204; Y02E 60/12; Y02E 60/122;  
Y02E 60/124; Y02E 60/50  
See application file for complete search history.

(56) **References Cited**

**U.S. PATENT DOCUMENTS**

D669,427 S \* 10/2012 Ignor ..... D13/103  
D684,531 S \* 6/2013 Moon ..... D13/103

D686,147 S \* 7/2013 Morisawa ..... D13/103  
D686,148 S \* 7/2013 Inaba ..... D13/103  
D686,152 S \* 7/2013 Lee ..... D13/103

(Continued)

**OTHER PUBLICATIONS**

Amazon.com: Cameron Sino 880mAh Replacement Battery . . .  
Date first available of Jan. 11, 2019. Retrieved from the internet at  
<<https://www.amazon.com/dp/B07M7V75VT/>>, Feb. 23, 2021. 1  
page. (Year: 2019).\*

(Continued)

*Primary Examiner* — Christy Nemeth

(74) *Attorney, Agent, or Firm* — McCarter & English,  
LLP

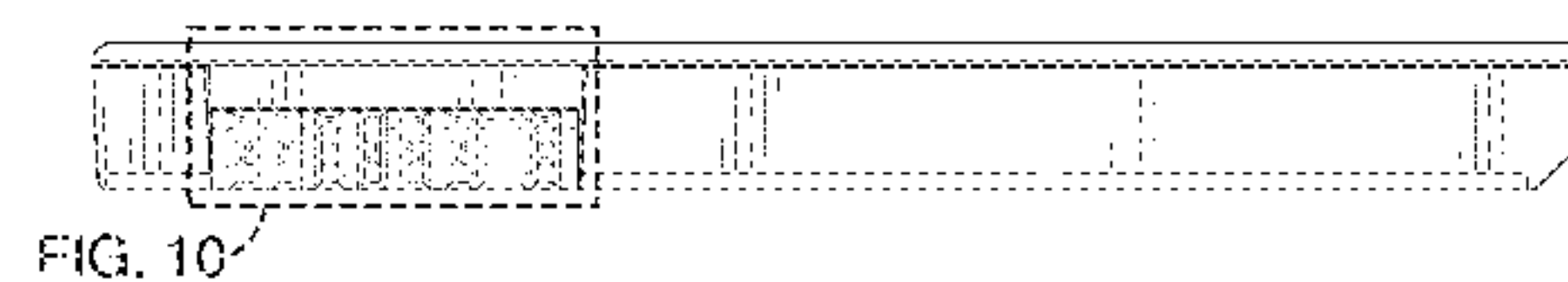
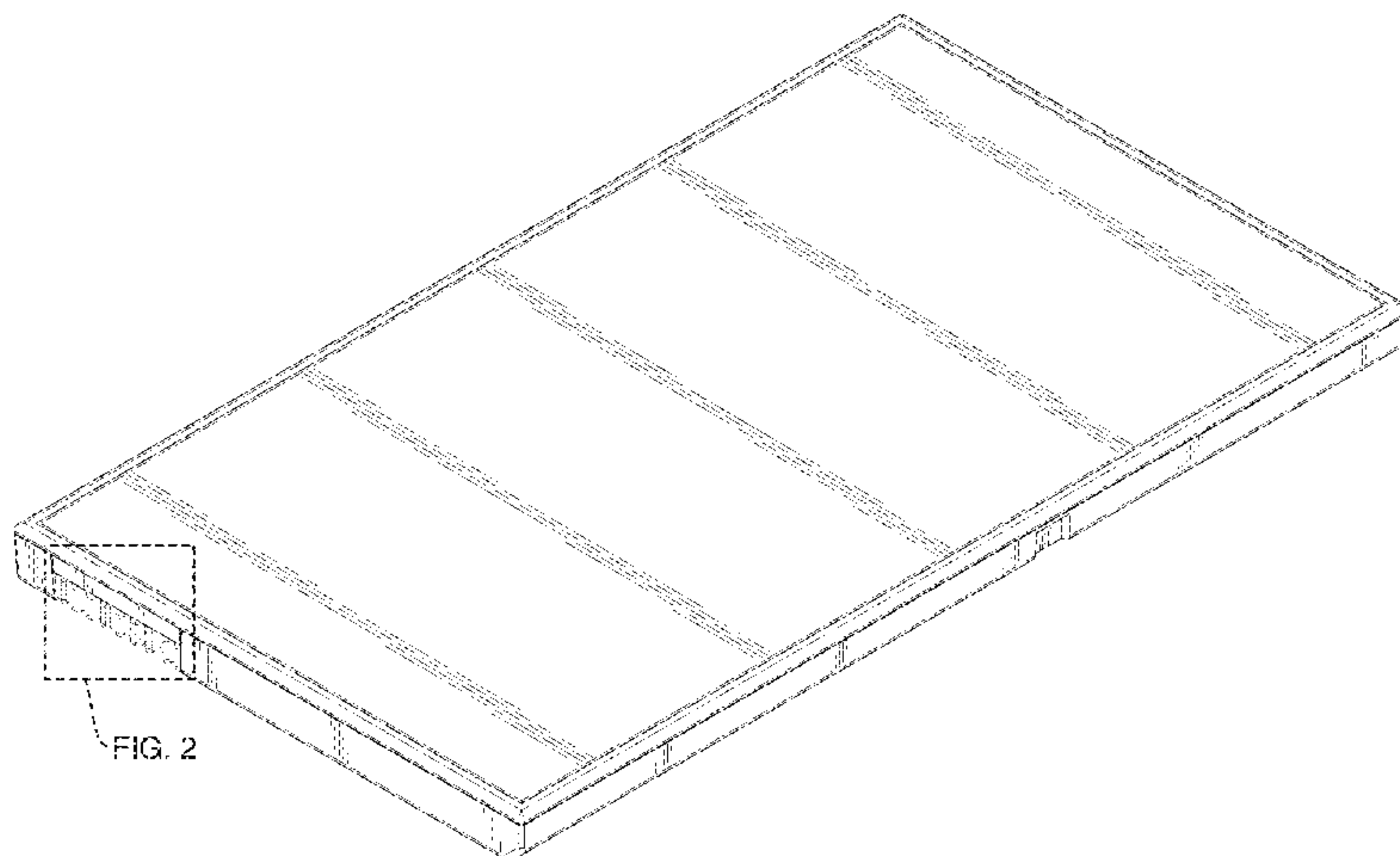
(57) **CLAIM**

The ornamental design for a flat battery pack, as shown and  
described.

**DESCRIPTION**

FIG. 1 is a top, front, right side perspective view of a flat  
battery pack of our new design;  
FIG. 2 is an enlarged view of the identified portion of FIG.  
1;  
FIG. 3 is a top plan view thereof;  
FIG. 4 is a bottom plan view thereof;  
FIG. 5 is an enlarged view of the identified portion of FIG.  
4;  
FIG. 6 is a left side elevation view thereof;  
FIG. 7 is a right side elevation view thereof;  
FIG. 8 is a rear elevation view thereof;  
FIG. 9 is a front elevation view thereof; and,  
FIG. 10 is an enlarged view of the identified portion of FIG.  
9.  
The broken line rectangles in FIGS. 1, 2, 4, 5, 9, and 10 are  
for the purpose of illustrating the bounds of the portions  
shown enlarged in the views. The remaining broken lines are  
for the purpose of illustrating portions of the article that form  
no part of the claimed design.

**1 Claim, 8 Drawing Sheets**



(56)

**References Cited**

U.S. PATENT DOCUMENTS

D689,018 S \* 9/2013 Honda ..... D13/103  
 D693,292 S \* 11/2013 Salvi ..... D13/103  
 D711,311 S \* 8/2014 Corbin ..... D13/103  
 D719,085 S \* 12/2014 Aoyagi ..... D13/103  
 D719,087 S \* 12/2014 Bataillou ..... D13/103  
 D739,349 S \* 9/2015 Takahashi ..... D13/118  
 D763,791 S \* 8/2016 Park ..... D13/108  
 D793,958 S \* 8/2017 Rautiainen ..... D13/108  
 D806,015 S \* 12/2017 Park ..... D13/103  
 D810,011 S \* 2/2018 Nelson ..... H01M 10/425  
 D13/103  
 D818,434 S \* 5/2018 Doiron ..... D13/108  
 D821,308 S \* 6/2018 Chia ..... D13/108  
 D830,964 S \* 10/2018 Aoyagi ..... D13/103  
 D835,036 S \* 12/2018 Dunham ..... D13/108  
 D843,934 S \* 3/2019 Tan ..... D13/103  
 D859,304 S \* 9/2019 Wang ..... D13/102  
 D865,668 S \* 11/2019 Roberts ..... D13/108

D877,068 S \* 3/2020 Wang ..... D13/108  
 D883,204 S \* 5/2020 Narayana Bhat ..... D13/108  
 D906,234 S \* 12/2020 Bigdeli ..... D13/103  
 D906,235 S \* 12/2020 Liu ..... D13/103  
 D910,545 S \* 2/2021 Dinh ..... D13/103

OTHER PUBLICATIONS

Amazon.com: OEM Motorola BT60 Battery . . . Date first available of Mar. 4, 2010. Retrieved from the internet at <<https://www.amazon.com/dp/B003AYQIPO/>>, Feb. 23, 2021. 1 page. (Year: 2010).\*

Amazon.com: Replacement Oem Bh5x 1540mah Battery . . . Date first available of Sep. 3, 2014. Retrieved from the internet at <<https://www.amazon.com/Replacement-1540mah-Battery-Motorola-Droid/dp/B00N9YL3LE/>>, Feb. 23, 2021. 1 page. (Year: 2014).\*

RCC Power Solutions, Rechargeable Battery, Model RRC2024, 14.4 V, Lithium Ion, 6.6 Ah, available at <<https://uk.farnell.com/rrc-power-solutions/rrc2024/battery-smart-smbus-14-40v-6600/dp/2115129/>>.

\* cited by examiner

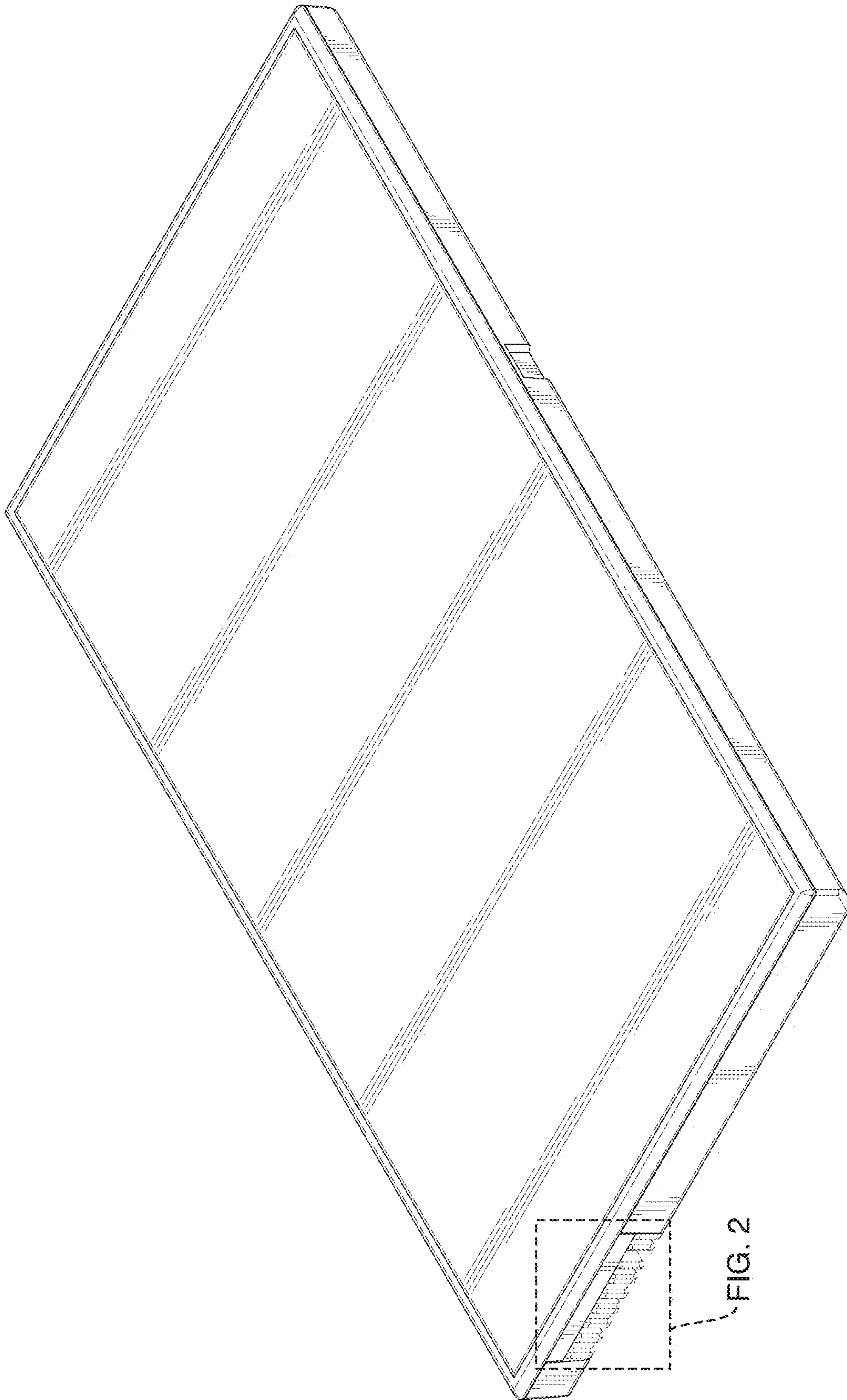


FIG. 1

FIG. 2



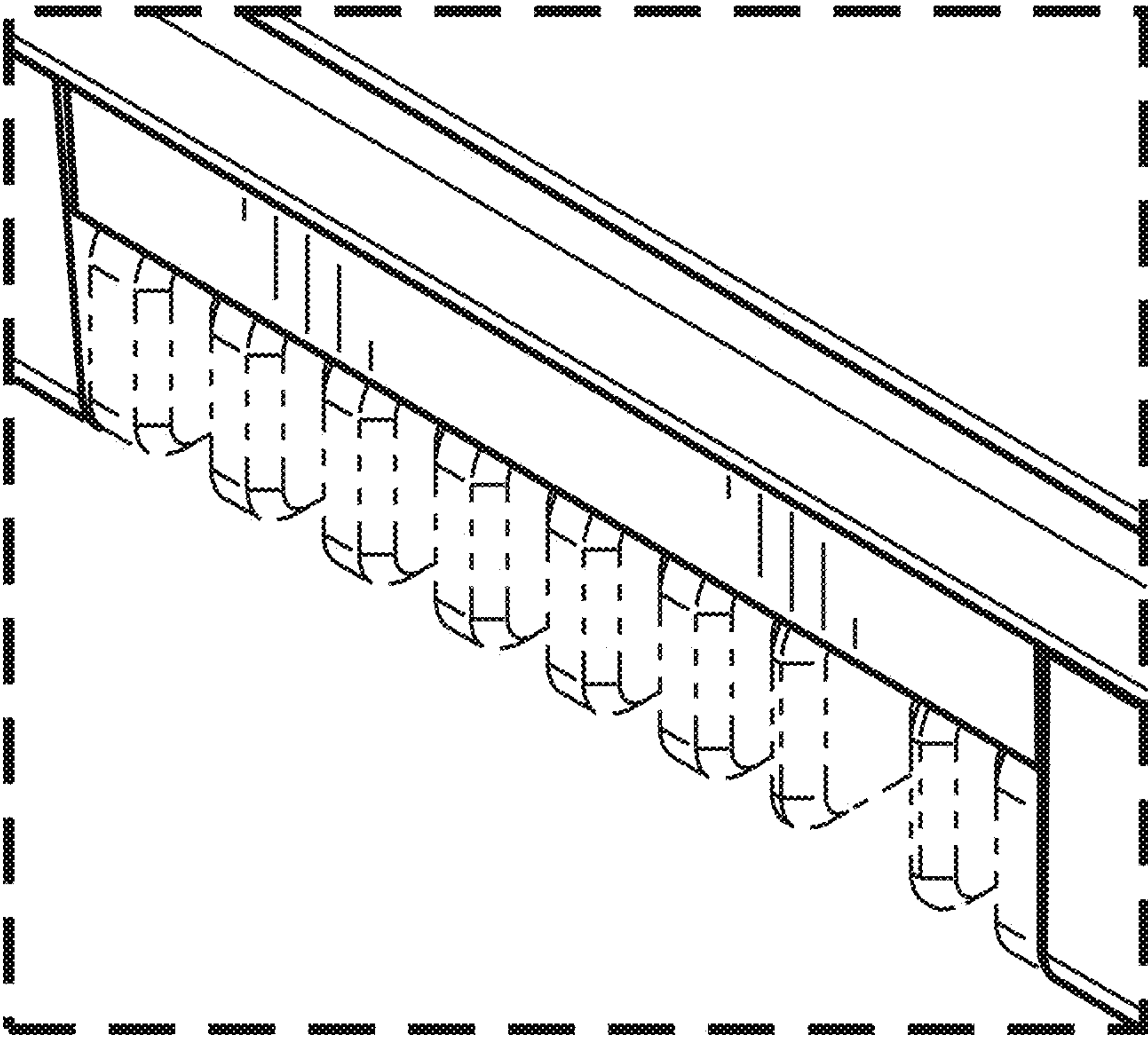


FIG. 2

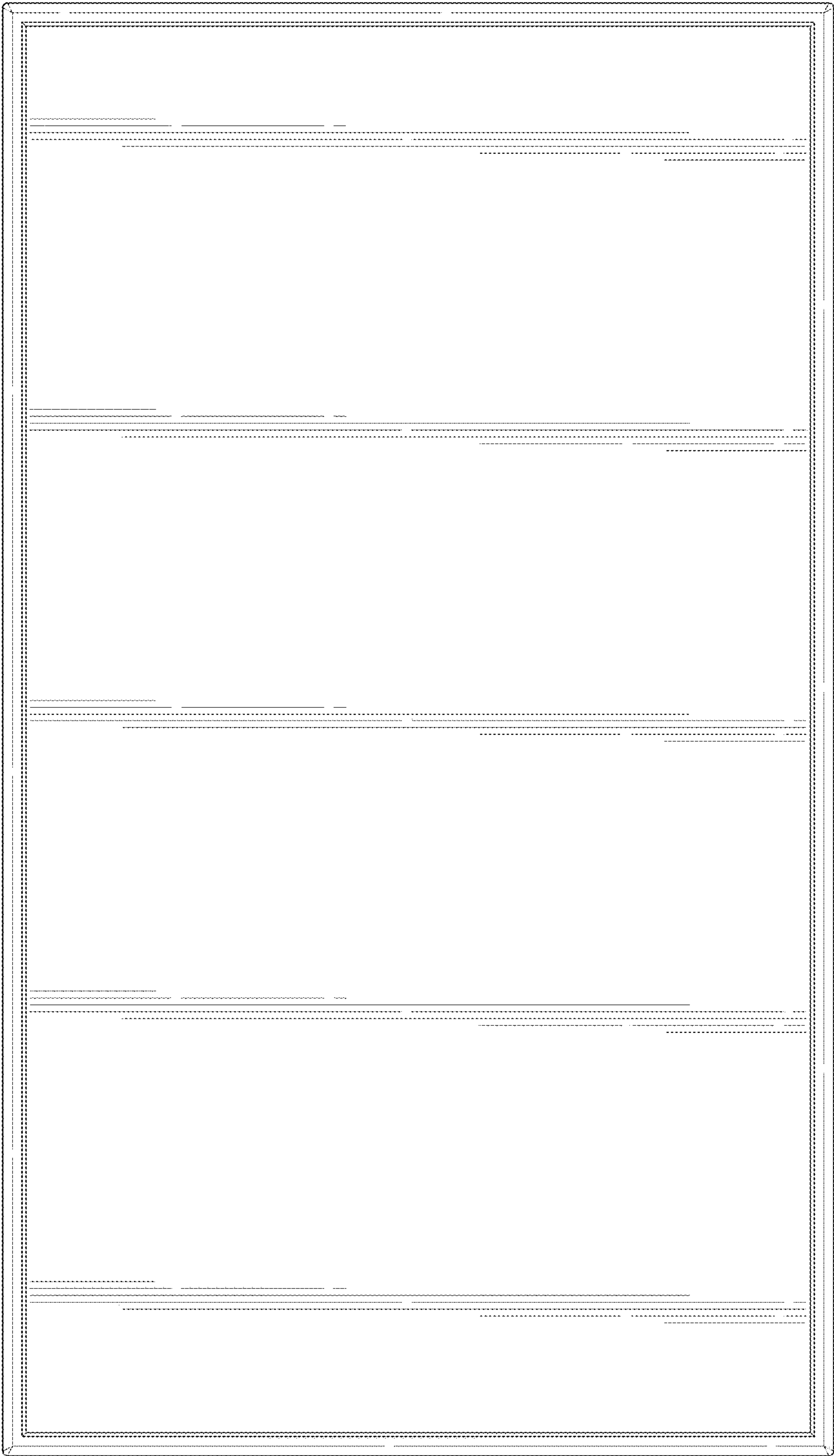


FIG. 3

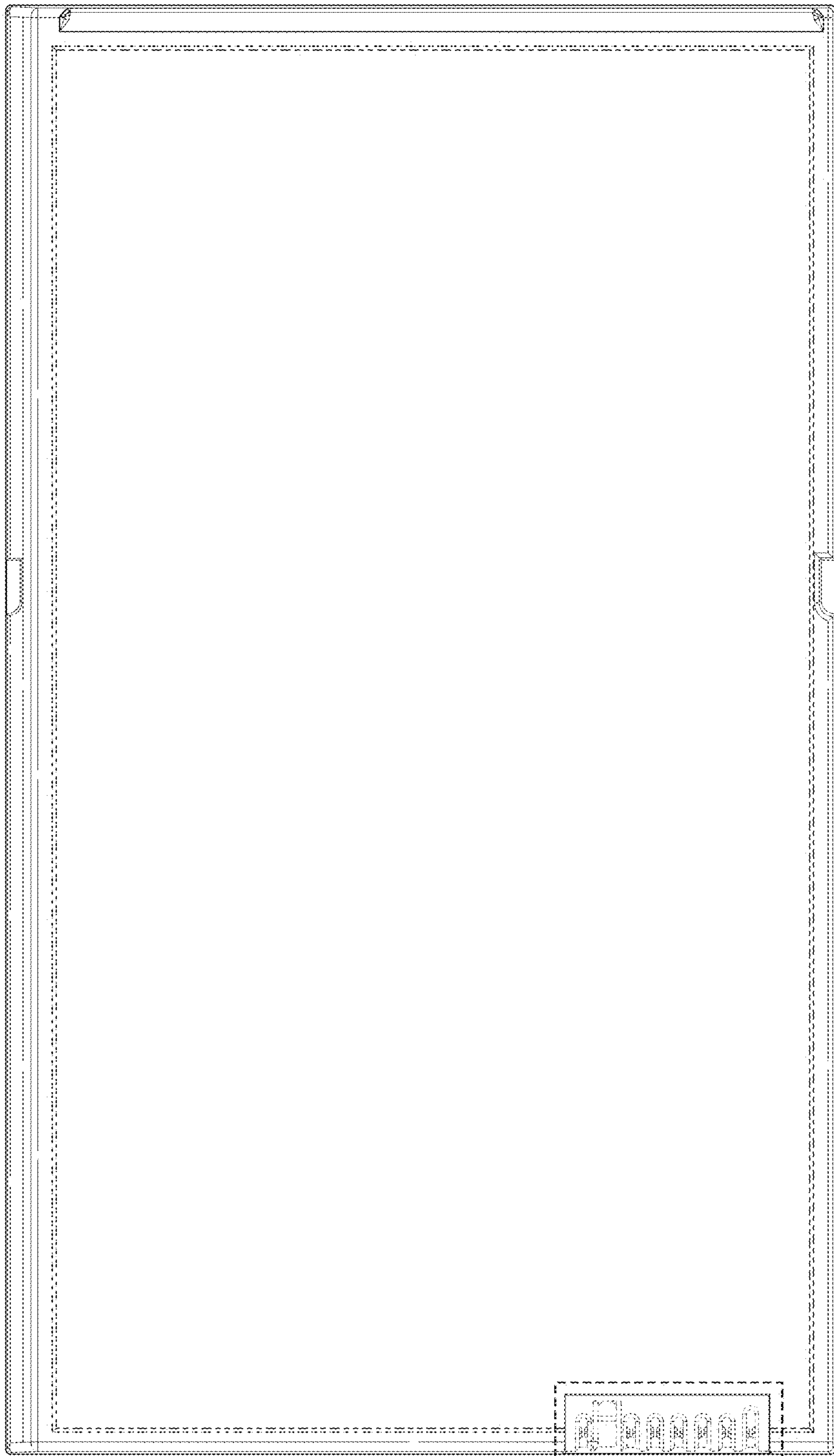


FIG. 4

FIG. 5

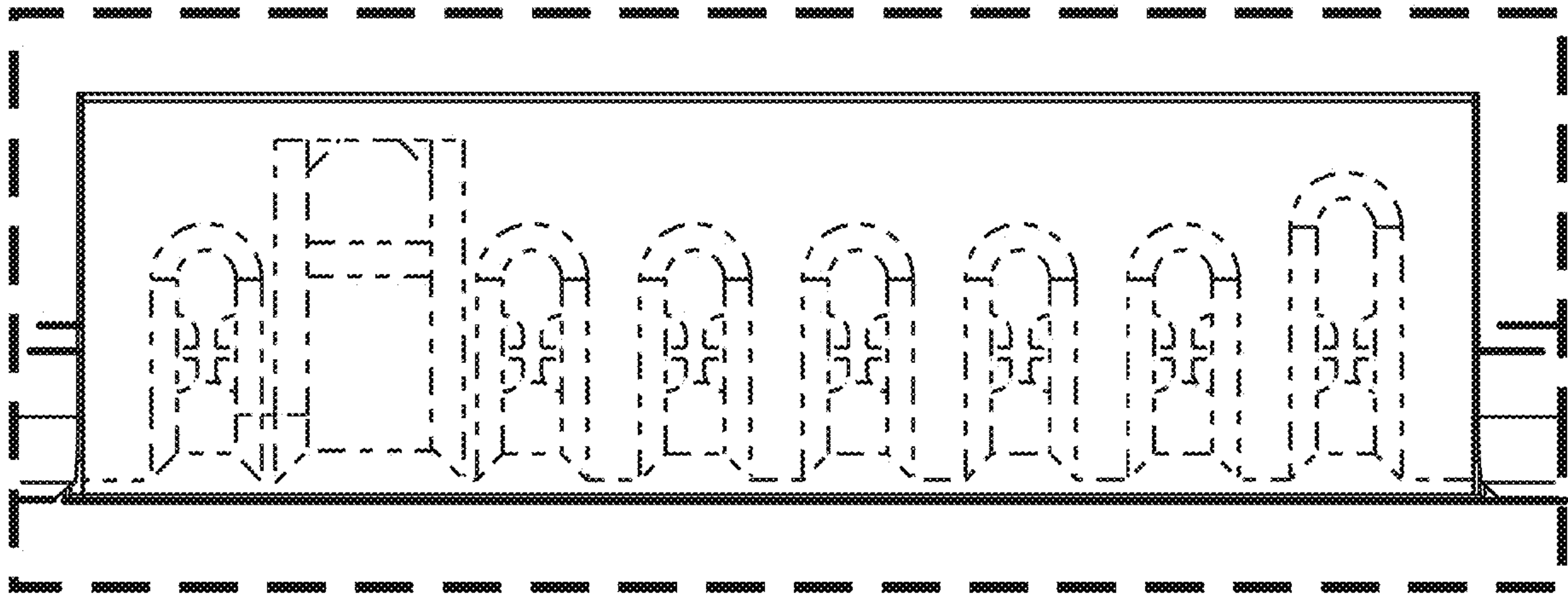


FIG. 5

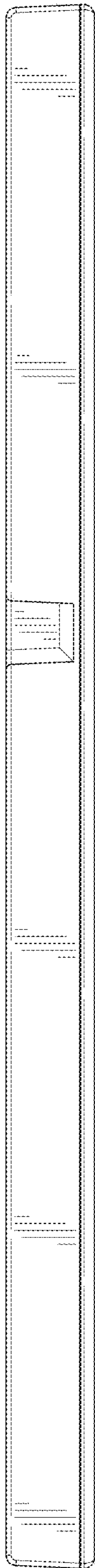


FIG. 6

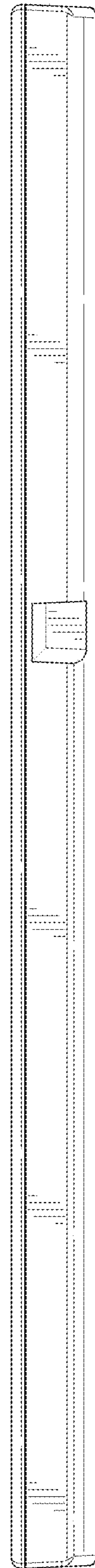


FIG. 7



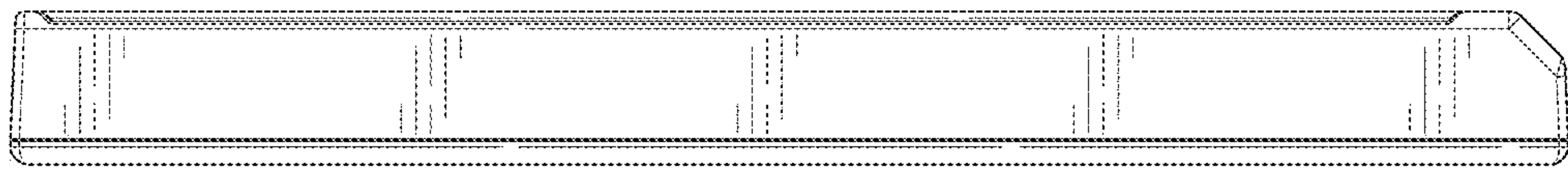


FIG. 8

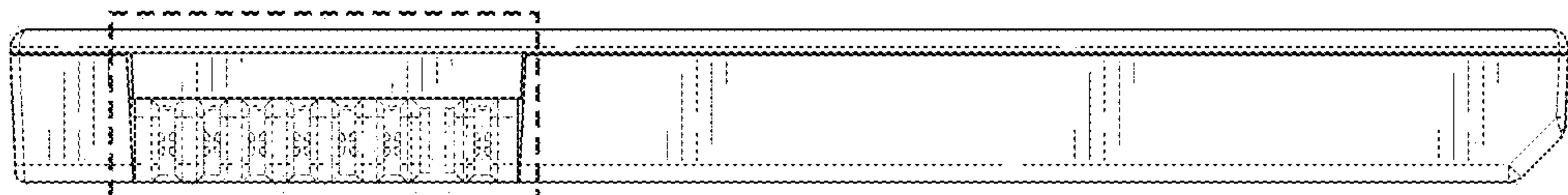


FIG. 10

FIG. 9

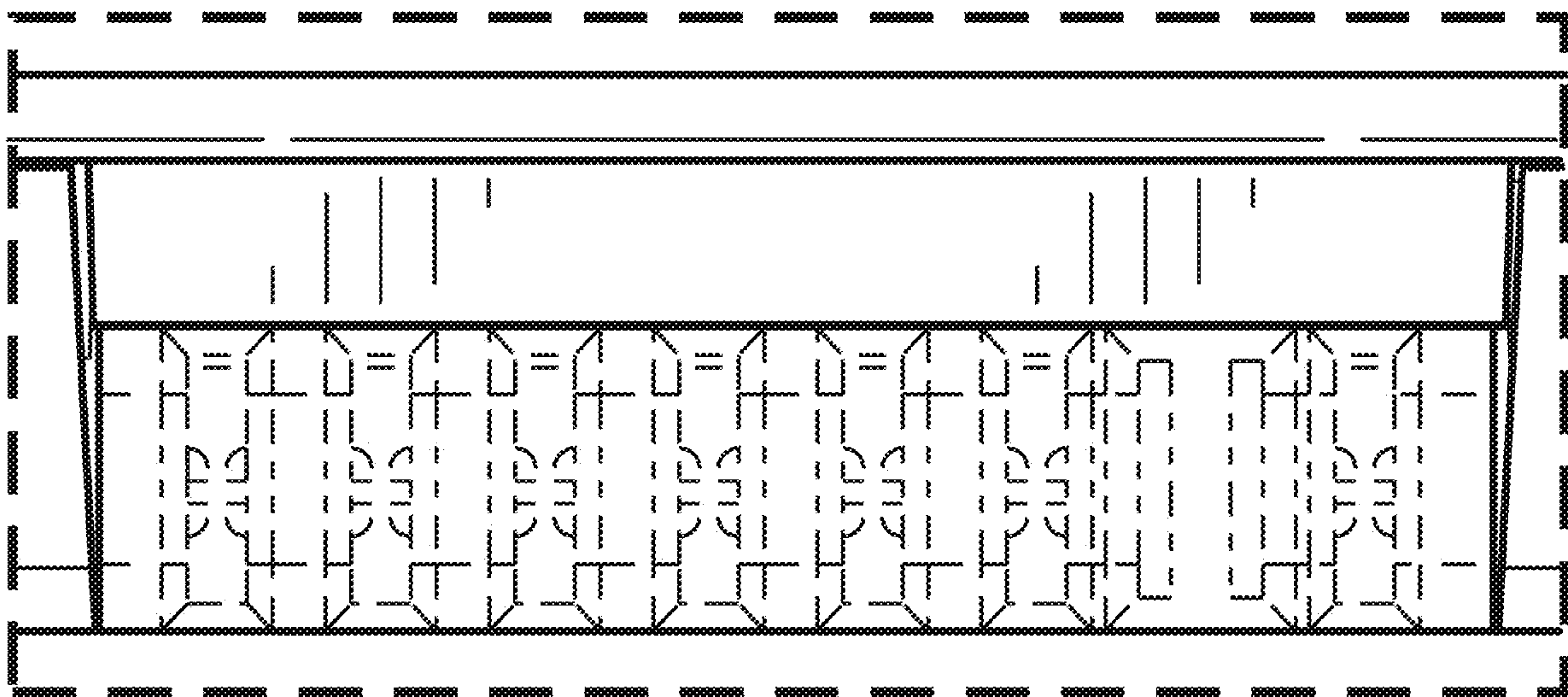


FIG. 10