



US00D958729S

(12) **United States Design Patent** (10) **Patent No.:** **US D958,729 S**
Xiong (45) **Date of Patent:** **** Jul. 26, 2022**

(54) **SOLAR PANEL**

(71) Applicant: **Yewei Xiong**, Fuzhou (CN)

(72) Inventor: **Yewei Xiong**, Fuzhou (CN)

(**) Term: **15 Years**

(21) Appl. No.: **29/759,374**

(22) Filed: **Nov. 23, 2020**

(51) **LOC (13) Cl.** **13-04**

(52) **U.S. Cl.**
USPC **D13/102**

(58) **Field of Classification Search**

USPC D13/101, 102, 107, 110, 118, 133, 184

CPC H01L 31/02; H01L 31/18; H01L 31/042;

H01L 31/048; H01L 31/0525; H01L

31/0203; H01L 31/02008; H01L 31/0504;

H01L 31/02013; H01L 27/142; H01L

27/1421; Y02E 10/40; Y02E 10/47; Y02E

10/50; Y02E 10/52; Y02E 10/54; Y02E

10/542; Y02E 10/544; H02S 30/10; H02S

40/34; H02S 40/44

See application file for complete search history.

(56) **References Cited**

U.S. PATENT DOCUMENTS

D586,030 S	*	2/2009	Genova	D26/85
D618,166 S	*	6/2010	Sanoner	D13/102
D624,491 S	*	9/2010	Xuan	D13/102
D708,125 S	*	7/2014	Geisenheimer	D13/102
D713,332 S	*	9/2014	Geisenheimer	D13/102
D716,058 S	*	10/2014	Franco	D5/64
D732,730 S	*	6/2015	Wang	D26/120
D788,028 S	*	5/2017	Geisenheimer	D13/102
D789,881 S	*	6/2017	Geisenheimer	D13/102
D797,039 S	*	9/2017	Geisenheimer	D13/102
D806,932 S	*	1/2018	Hui	D26/102
D899,352 S	*	10/2020	Gong	D13/102
D940,646 S	*	1/2022	Persaud	D13/102

OTHER PUBLICATIONS

Solar Panels. (Design—© Questel) orbit.com. [Online PDF compilation of references] 50 pgs. Print Dates Range Dec. 31, 2020-Apr. 23, 2021 [Retrieved Feb. 28, 2022].*

EpicGadget Semi Circle Solar Light. Before May 6, 2020. Amazon. <https://www.amazon.com/EpicGadget-Circle-Sensor-Outdoor-Garden/dp/B07QP8HQWJ?th=1>.*

Waterproof Solar Power Light Balcony Flower Pot Light for Outdoor Garden Landscape Decoration. Apr. 8, 2020. Amazon. <https://www.amazon.com/Waterproof-Balcony-Outdoor-Landscape-Decoration/dp/B086WKWVLD>.*

Nature Power Terrace Solar Lamp Post. Lowe's. Before Apr. 15, 2021. <https://www.lowes.com/pd/Nature-Power-Terrace-Solar-Lamp-Post-and-Planter/1002754322>.*

* cited by examiner

Primary Examiner — Manpreet S Matharu

Assistant Examiner — Suzanne E Tisdell

(57) **CLAIM**

The ornamental design for a solar panel, as shown and described.

DESCRIPTION

FIG. 1 is a first perspective view of a solar panel showing my new design;

FIG. 2 is a second perspective view thereof;

FIG. 3 is a front view thereof;

FIG. 4 is a back view thereof;

FIG. 5 is a left side view thereof;

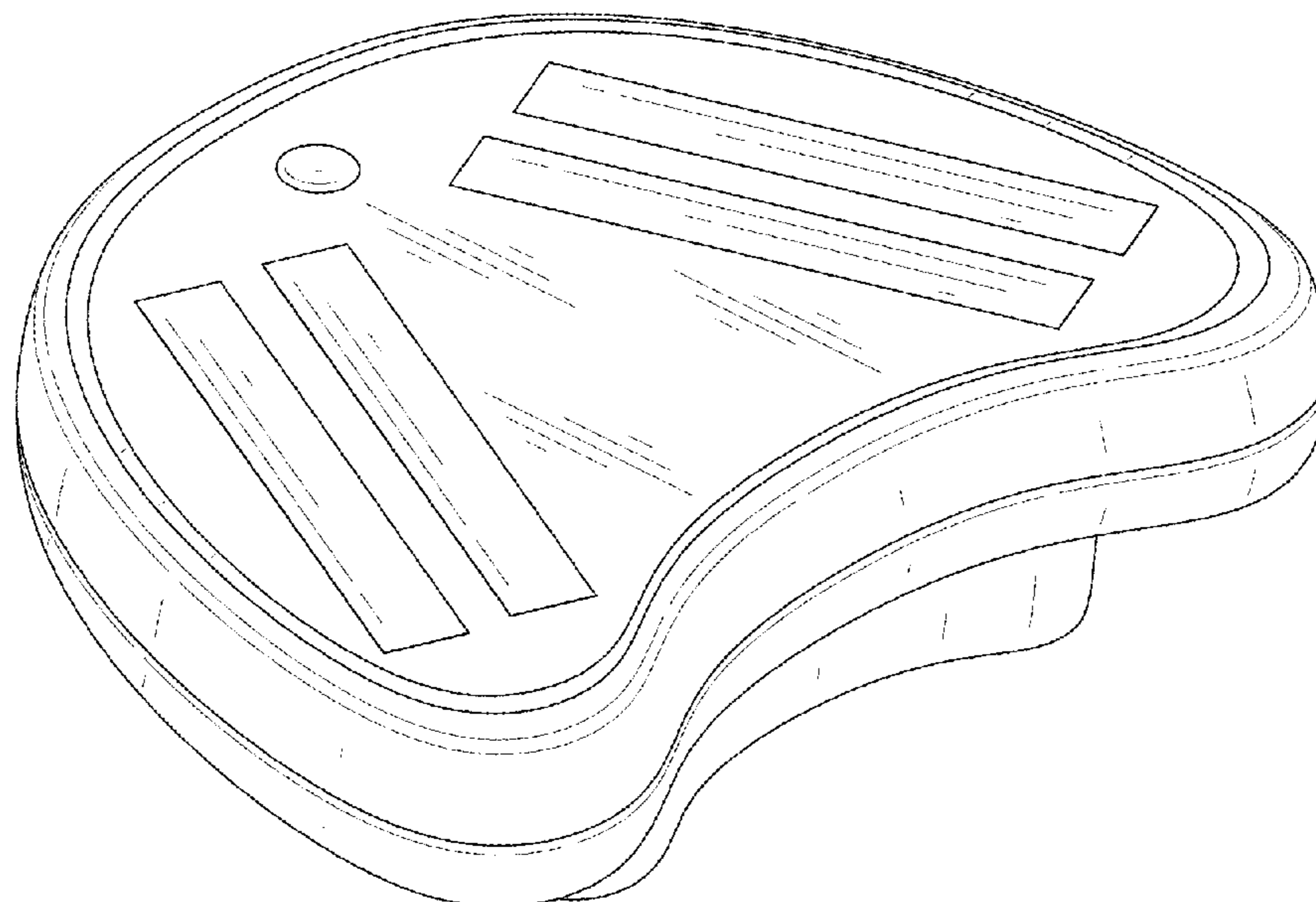
FIG. 6 is a right side view thereof;

FIG. 7 is a top view thereof; and,

FIG. 8 is a bottom view thereof.

The broken lines shown in the drawings depict portions of the solar panel in which the design is embodied that form no part of the claimed design.

1 Claim, 8 Drawing Sheets



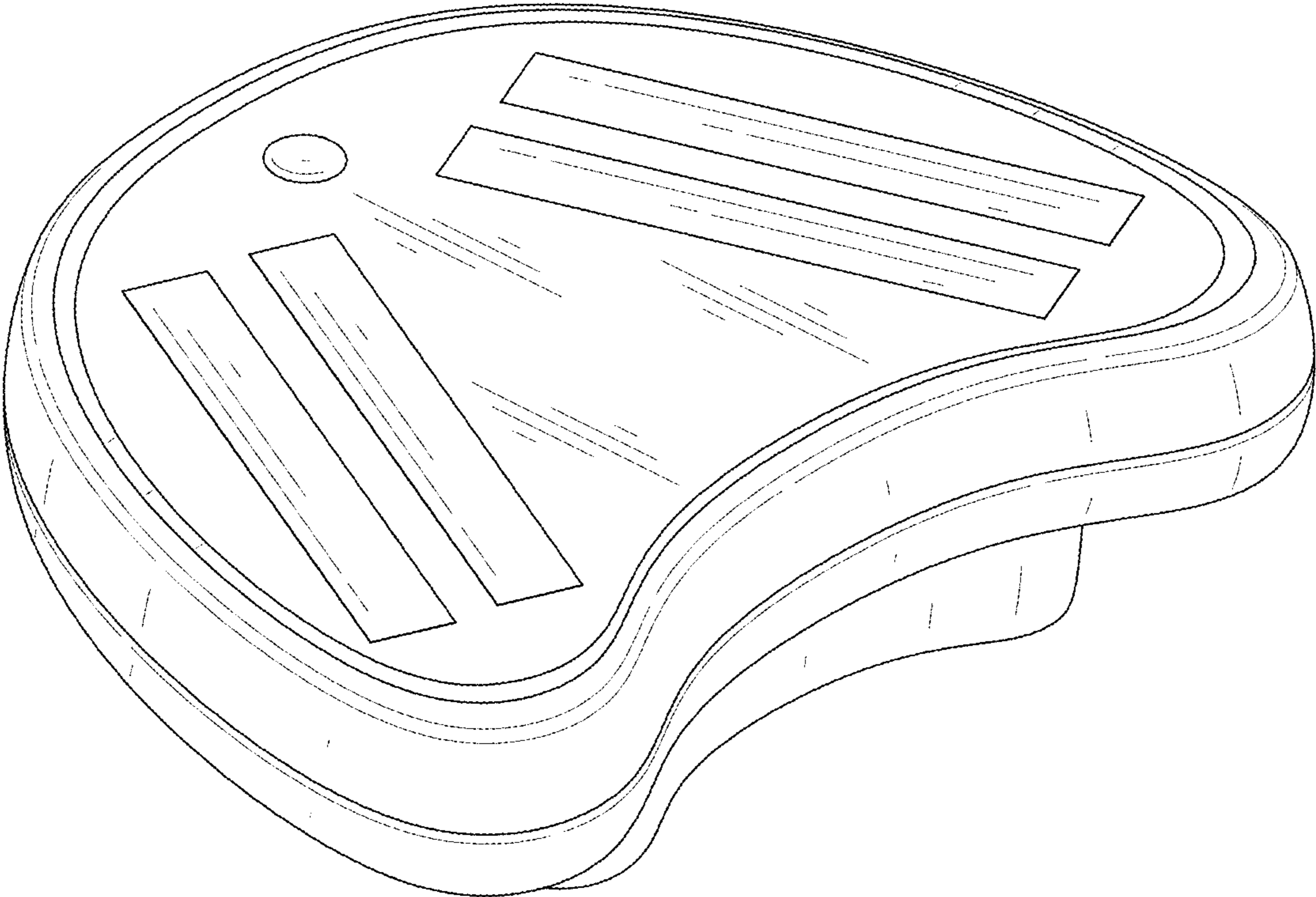


FIG. 1

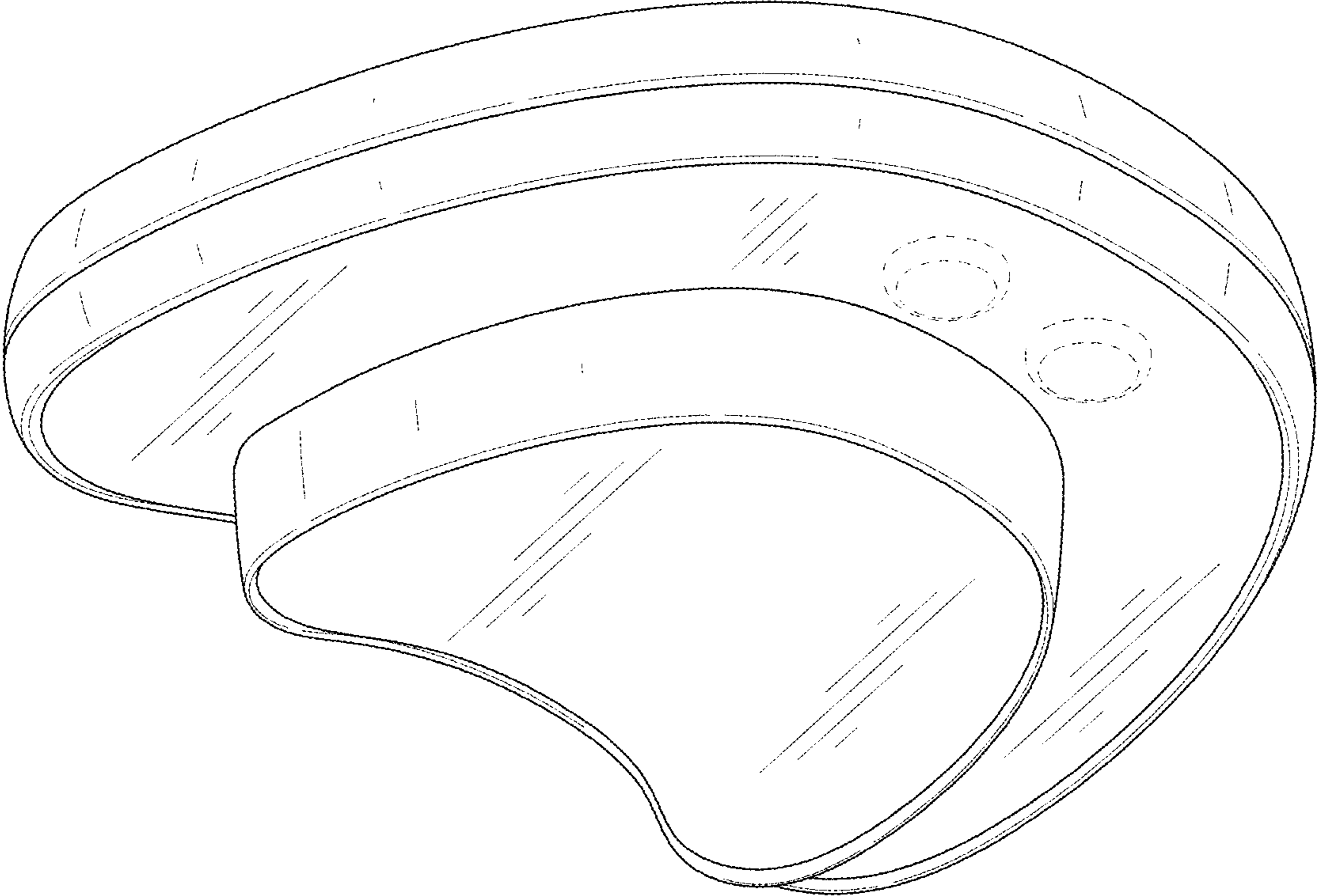


FIG. 2

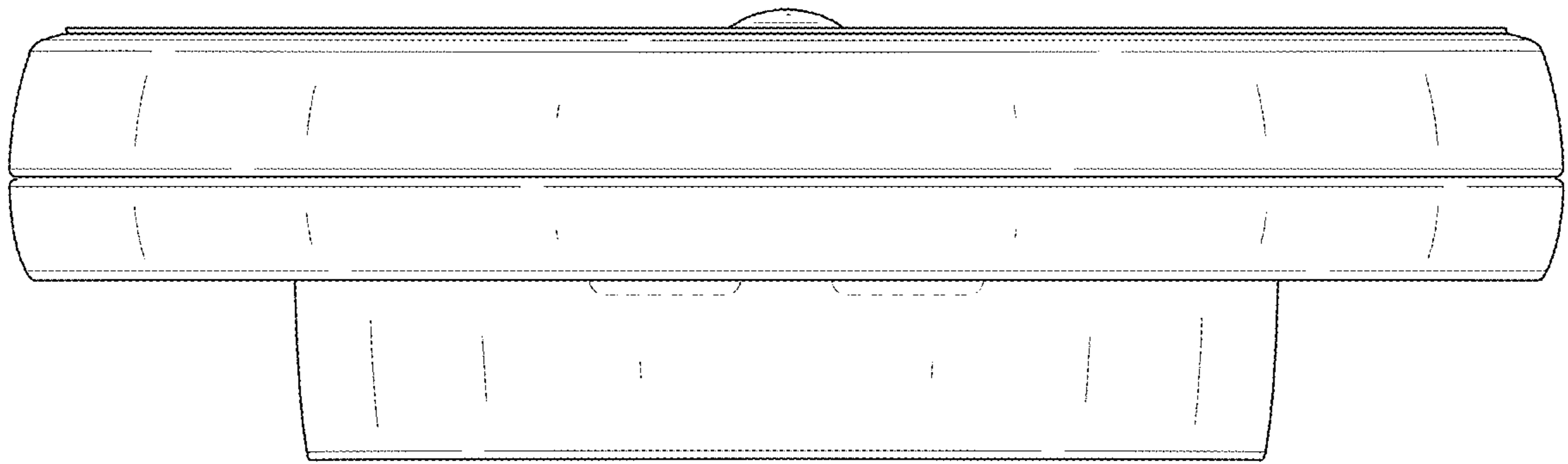


FIG. 3

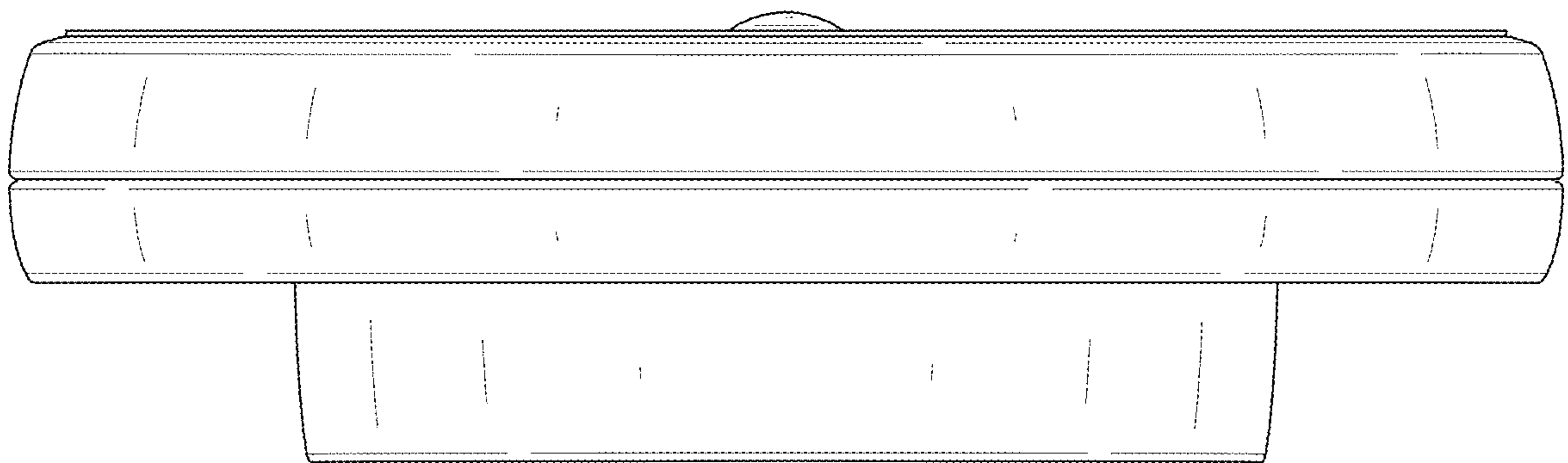


FIG. 4

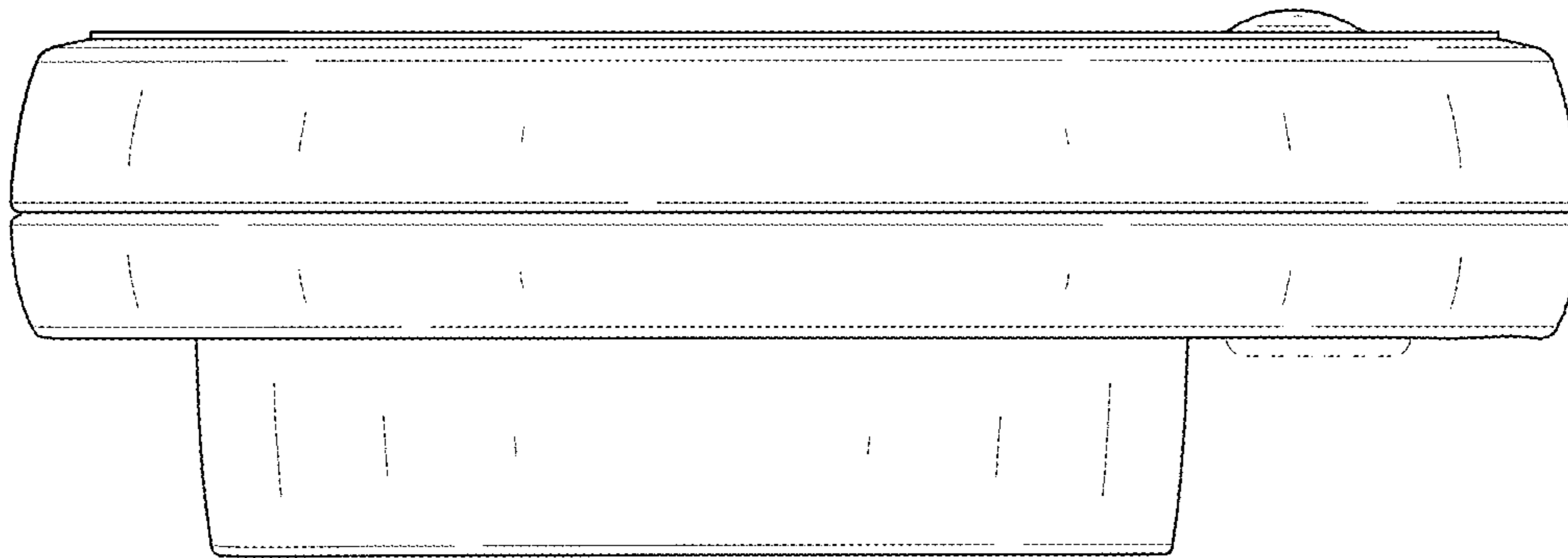


FIG. 5

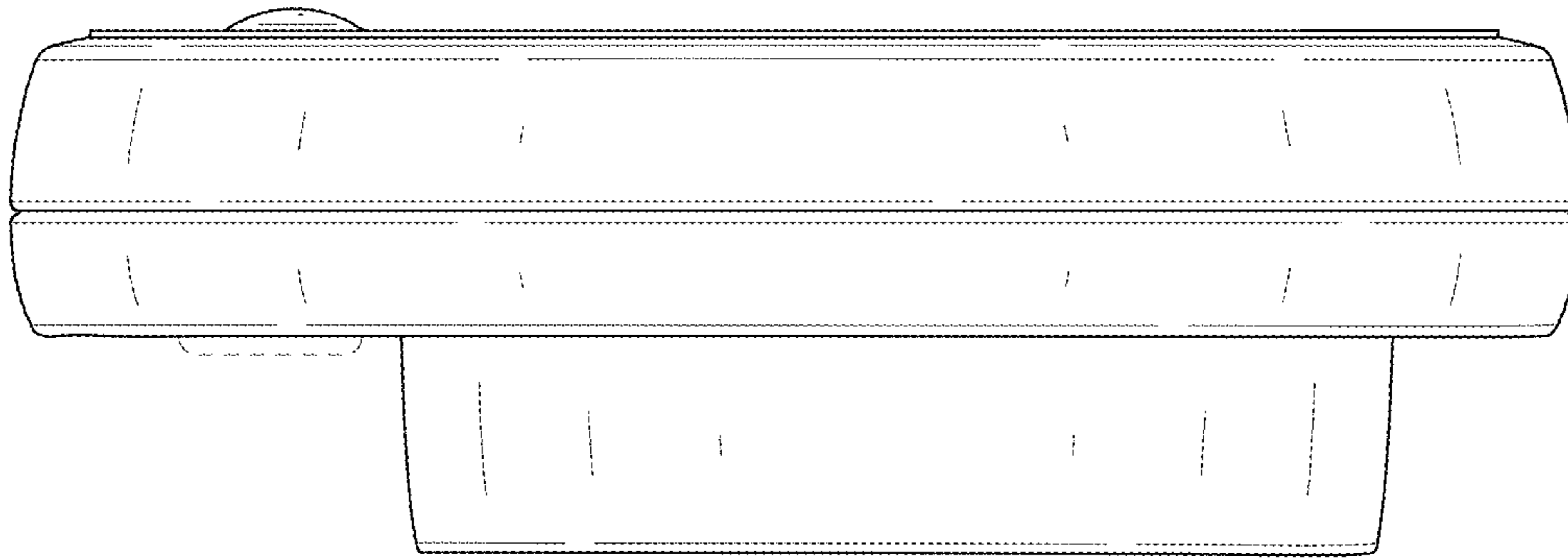


FIG. 6

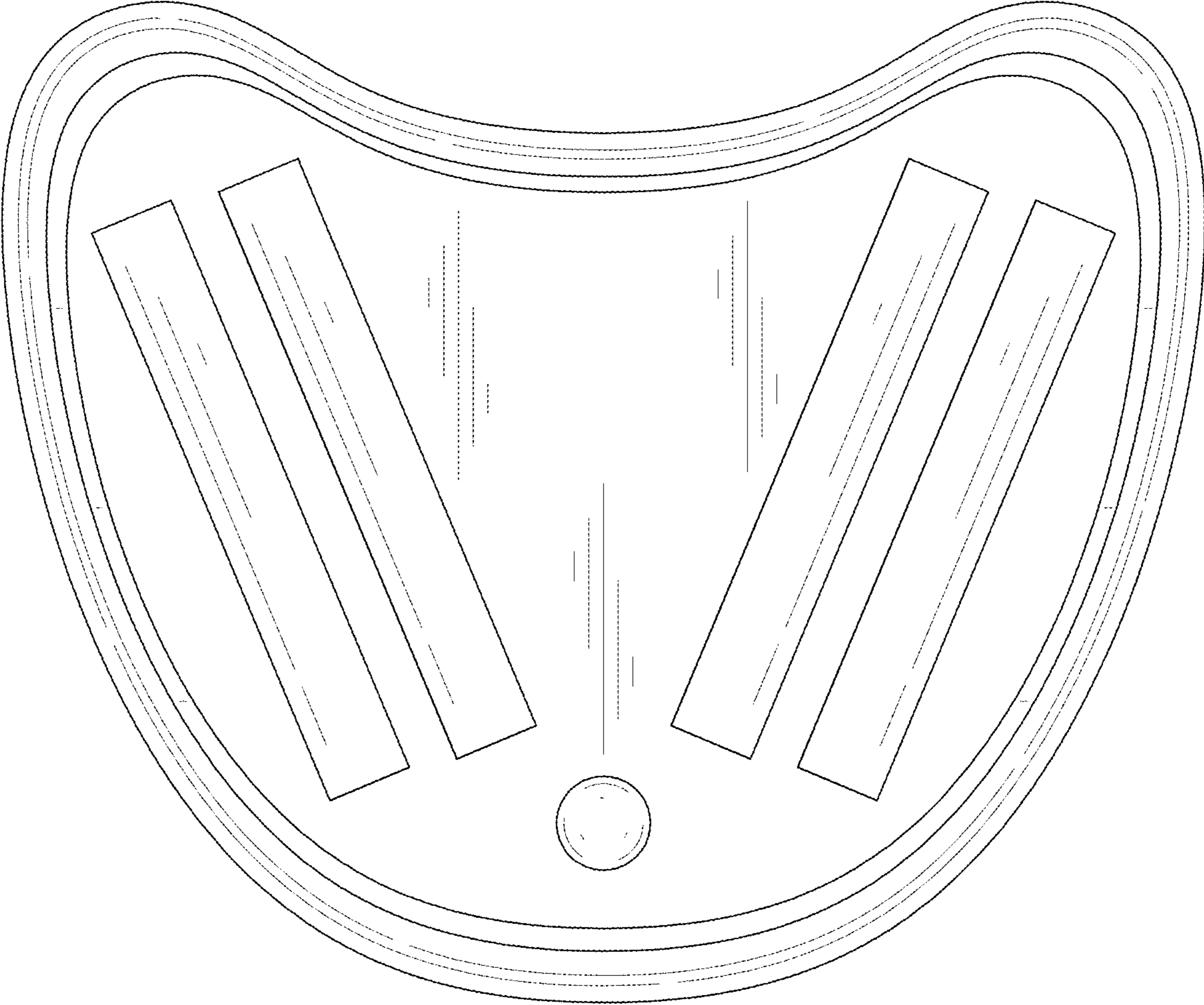


FIG. 7

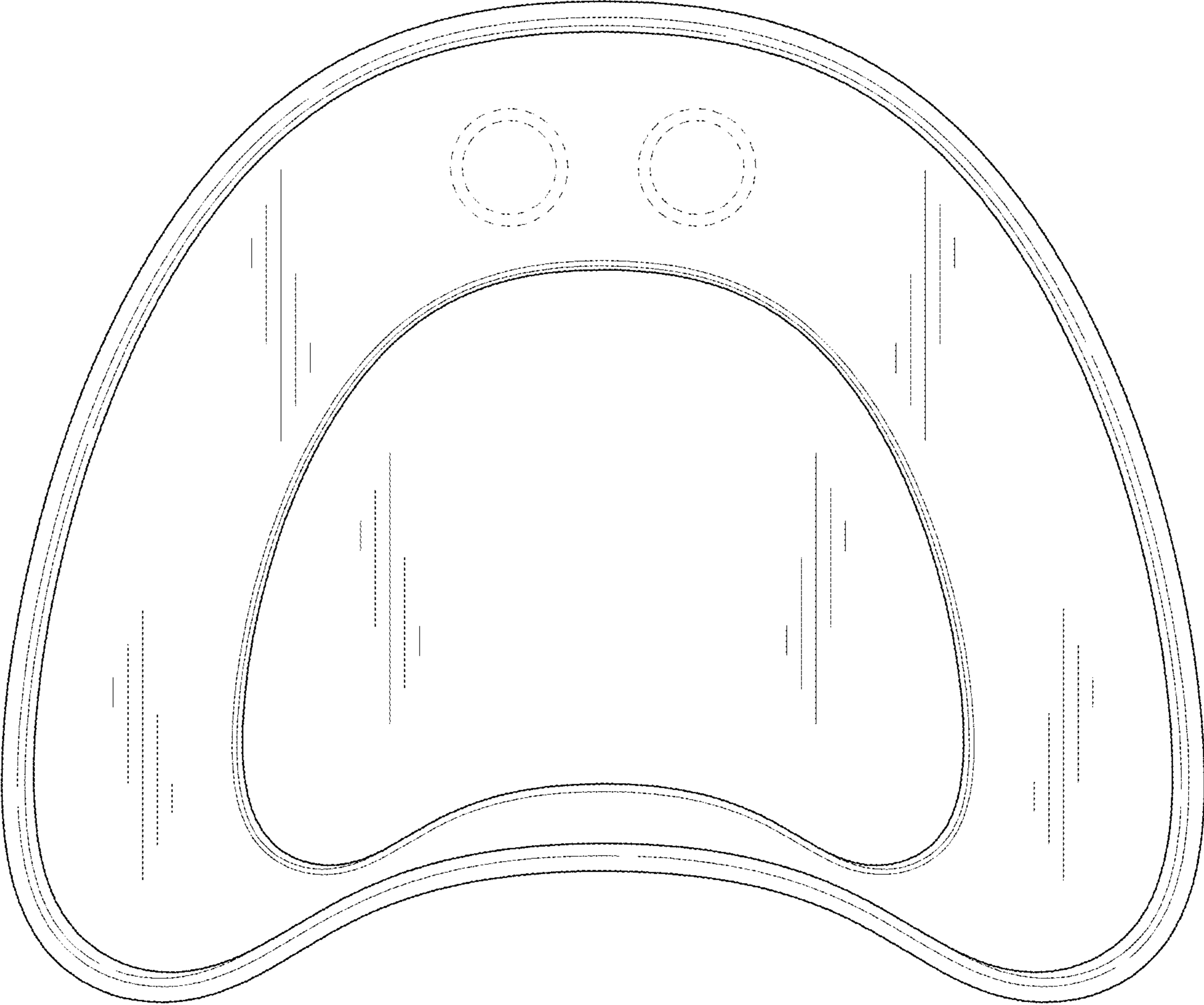


FIG. 8