



US00D958728S

(12) **United States Design Patent**
Russell

(10) **Patent No.:** **US D958,728 S**
(45) **Date of Patent:** **** Jul. 26, 2022**

(54) **SPIRAL ABSORBER SOLAR THERMAL WATER HEATING PANEL**

(71) Applicant: **LongView Global Enterprises, Inc.**,
Boise, ID (US)

(72) Inventor: **Lynn D. Russell**, Boise, ID (US)

(73) Assignee: **LongView Global Enterprises, Inc.**,
Boise, ID (US)

(**) Term: **15 Years**

(21) Appl. No.: **29/753,743**

(22) Filed: **Oct. 1, 2020**

(51) **LOC (13) Cl.** **13-04**

(52) **U.S. Cl.**
USPC **D13/102**

(58) **Field of Classification Search**
USPC D23/72, 127, 207, 208, 209, 210, 386,
D23/425-419; D13/102, 112;
D7/402-409, 323, 332-351, 362-367,
D7/399, 397, 309, 306, 387, 354,
D7/359-361, 352; D15/81, 144; D9/452,
D9/454; D22/122
CPC C01B 13/11; H05B 6/6414; H05B 6/6408;
A47J 31/40; A47J 31/42; F24C 15/10;
F24C 15/107; F24C 15/001; F24C 3/08;
F24C 3/082; F24C 3/085

See application file for complete search history.

(56) **References Cited**

U.S. PATENT DOCUMENTS

D244,606 S	*	6/1977	Riley	D13/102
D255,379 S	*	6/1980	Riley	D13/102
D257,893 S	*	1/1981	Millhollen	D13/102
D258,608 S	*	3/1981	du Plooy	D13/102
D312,069 S	*	11/1990	Williamson	D13/102
D320,649 S	*	10/1991	Fleming	D23/386
D752,178 S	*	3/2016	Mjelde	D23/208
D835,940 S	*	12/2018	Krishnan	A47J 37/0676
					D7/407

11,015,870 B2	*	5/2021	Muscatell	F24S 10/744
2020/0309386 A1	*	10/2020	Lin	H02S 40/30
2021/0146299 A1	*	5/2021	Besarati	C07C 29/1518
2021/0341230 A1	*	11/2021	Ludlaim	F28D 20/0034
2022/0026078 A1	*	1/2022	Fattoum	F24D 17/0021

OTHER PUBLICATIONS

Spiral Water Heaters. (Design—© Questel) orbit.com. [Online PDF compilation of references] 31 pgs. Print Dates Range Dec. 24, 2021-Feb. 14, 2020 [Retrieved Feb. 23, 2022].*

Solar water heater panels Stock Photo. Sep. 28, 2014. Deposit Photos. <https://depositphotos.com/54212039/stock-photo-solar-water-heater-panels.html>.*

DIY Solar Water Heater Thermal Panel. Mar. 23, 2020. Youtube. <https://www.youtube.com/watch?v=olTiMKfSqEM>.*

DIY Solar Water Heater. Aug. 28, 2017. Instructables. <https://www.instructables.com/DIY-Solar-Water-Heater-Deluxe-Aluminum-Backed-COPP/>.*

* cited by examiner

Primary Examiner — Manpreet S Matharu
Assistant Examiner — Suzanne E Tisdell
(74) *Attorney, Agent, or Firm* — Shaver & Swanson, LLP; Scott D. Swanson

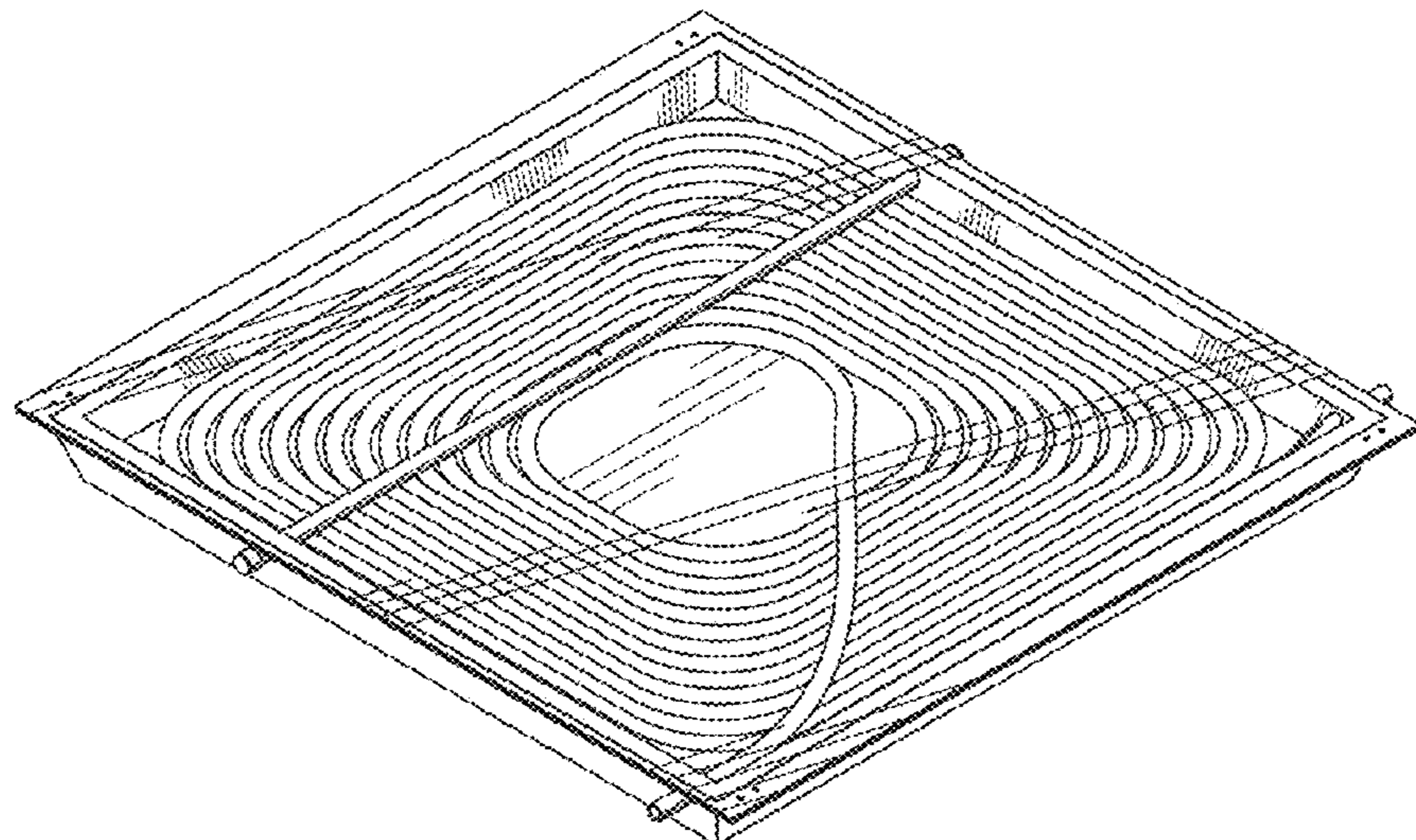
(57) **CLAIM**

The ornamental design for a spiral absorber solar thermal water heating panel, as shown and described.

DESCRIPTION

FIG. 1 is an isometric perspective view of a flat-plate solar thermal water heating panel;
FIG. 2 is a top perspective view thereof;
FIG. 3 is a bottom perspective view thereof;
FIG. 4 is a front-side perspective view thereof;
FIG. 5 is a back-side perspective view thereof;
FIG. 6 is a left-side perspective view thereof; and,
FIG. 7 is a right-side perspective view thereof.

1 Claim, 7 Drawing Sheets



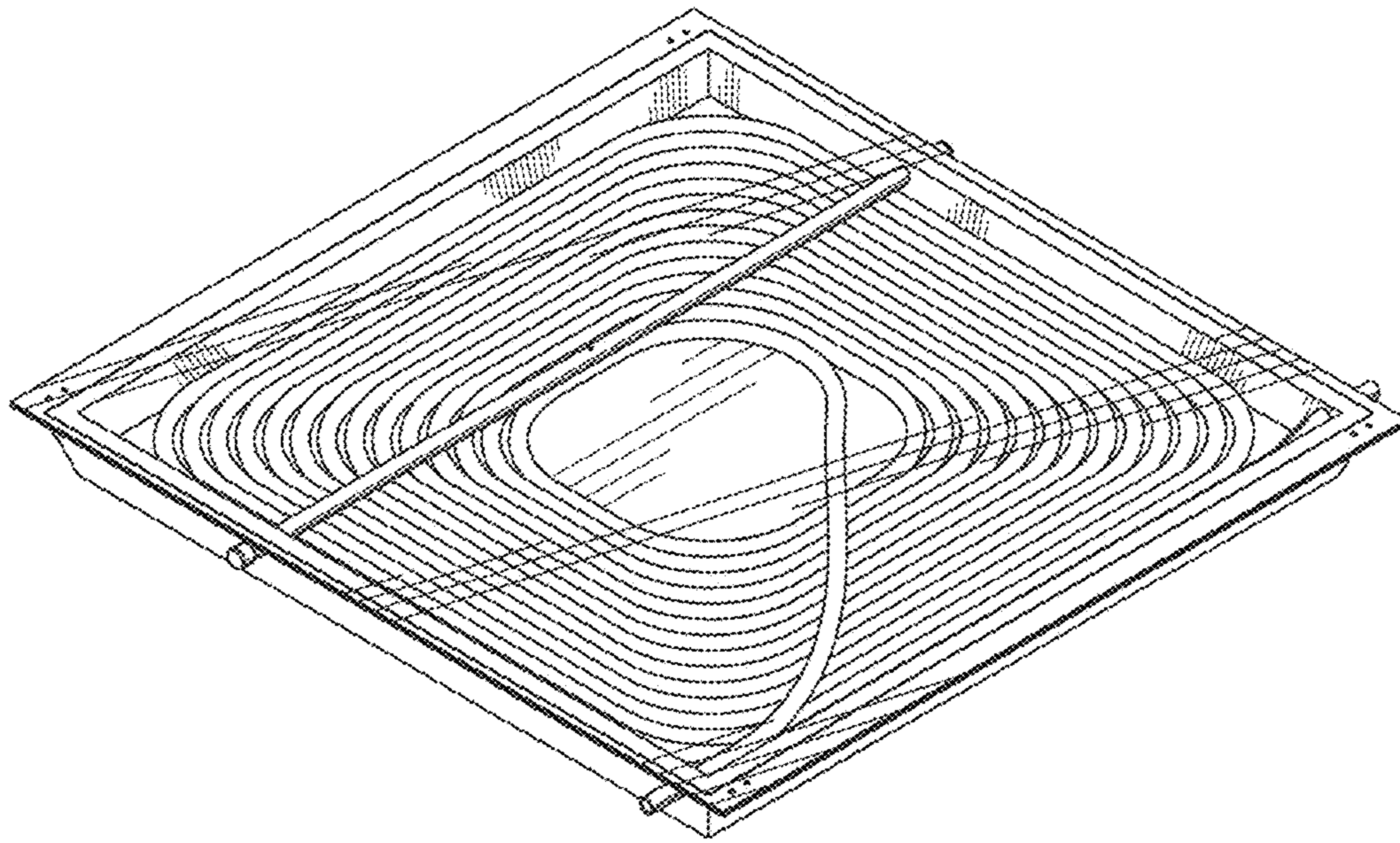


Figure 1

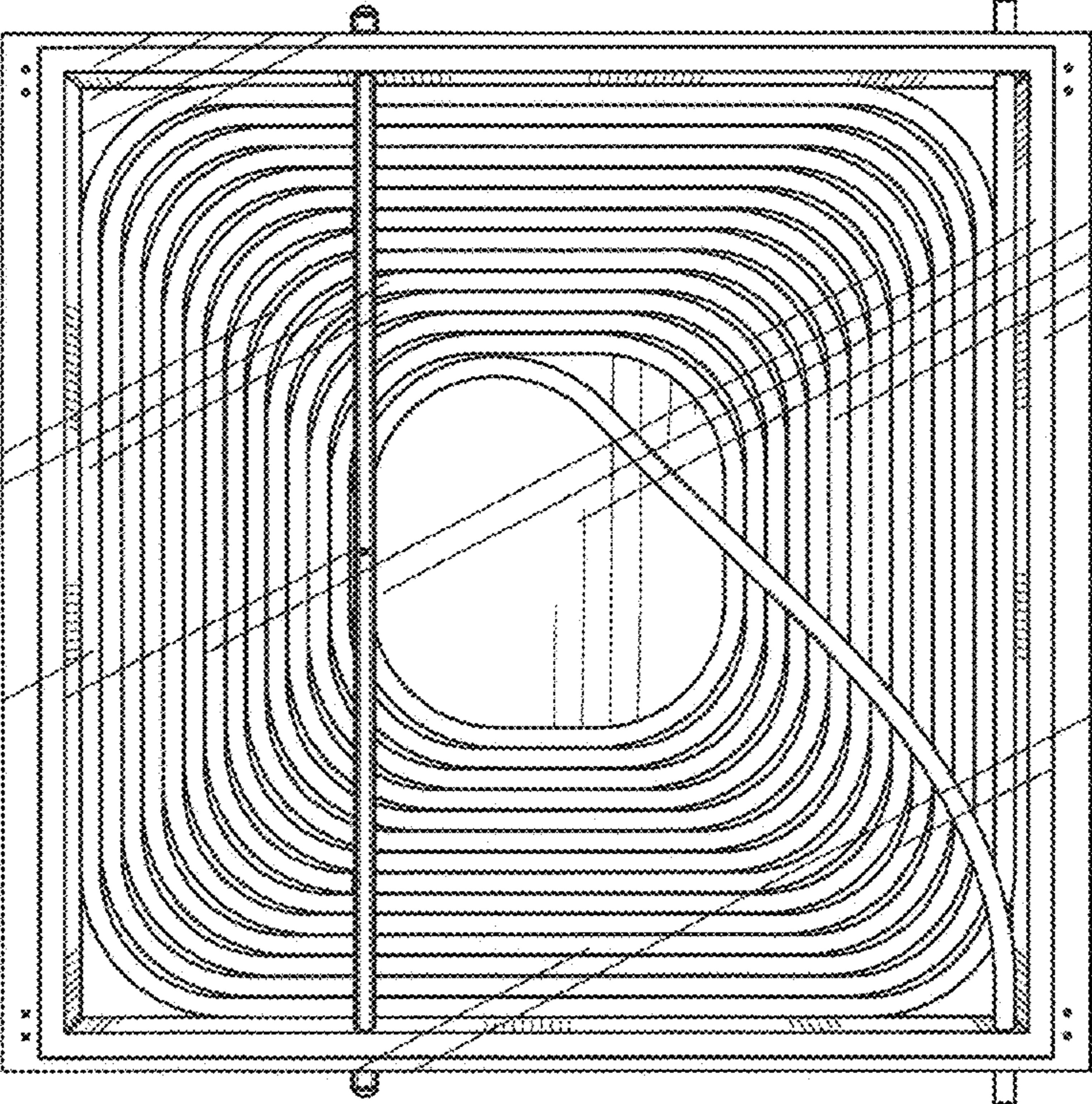


Figure 2

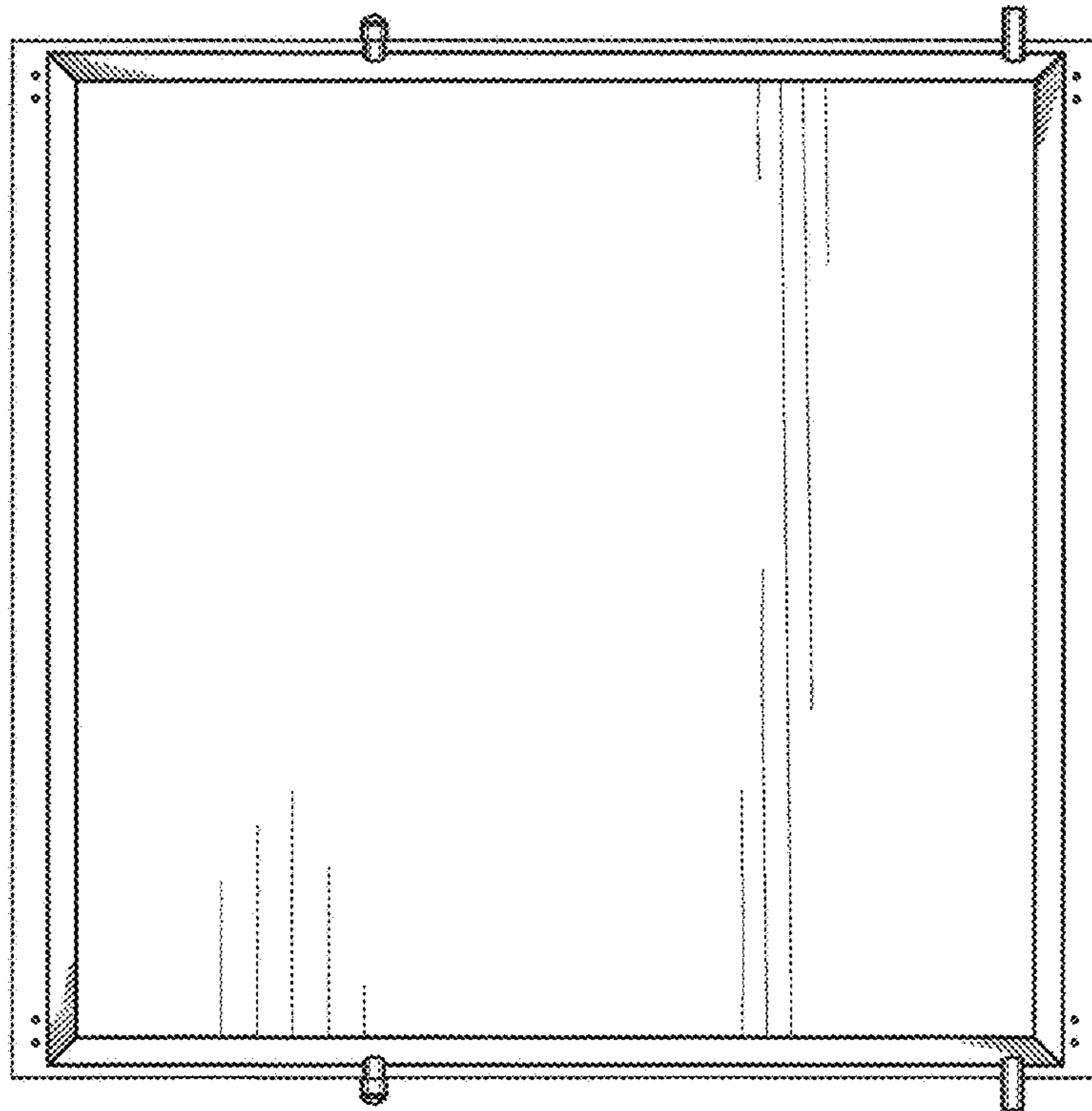


Figure 3

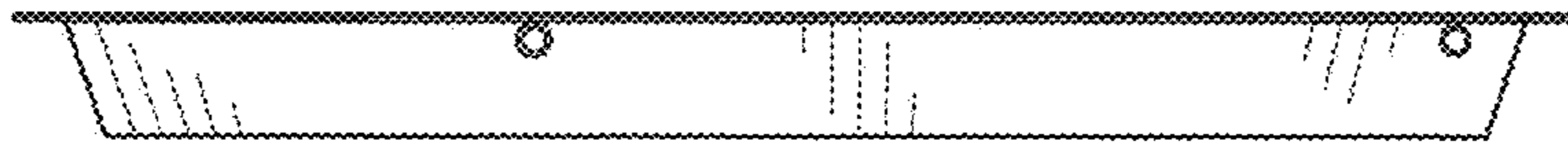


Figure 4



Figure 5

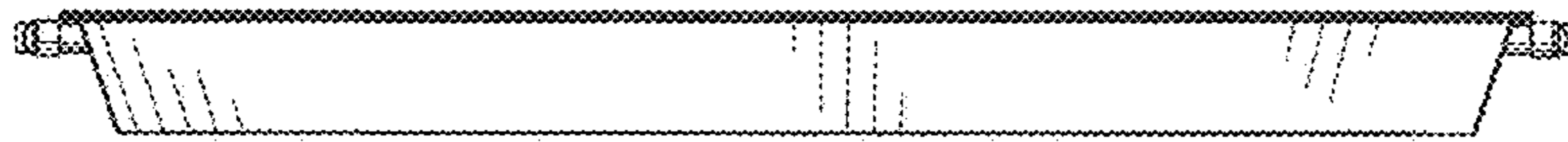


Figure 6



Figure 7