



US00D958724S

(12) **United States Design Patent** (10) **Patent No.:** **US D958,724 S**
Stoffel et al. (45) **Date of Patent:** **** Jul. 26, 2022**

(54) **VEHICLE SEAT**

OTHER PUBLICATIONS

(71) Applicant: **Zoox, Inc.**, Foster City, CA (US)

(72) Inventors: **Christopher John Stoffel**, San Carlos, CA (US); **Nahuel Elias Battaglia**, Stanford, CA (US); **Herman Francisco Delos Santos**, Redwood City, CA (US); **Richard Luke Osellame**, Redwood City, CA (US); **Alexander Kraus**, San Mateo, CA (US)

(73) Assignee: **Zoox, Inc.**, Foster City, CA (US)

(**) Term: **15 Years**

(21) Appl. No.: **29/715,618**

(22) Filed: **Dec. 3, 2019**

(51) **LOC (13) Cl.** **12-16**

(52) **U.S. Cl.**
USPC **D12/419**; D6/356

(58) **Field of Classification Search**
USPC D6/334-336, 356, 364, 366, 367, 374, D6/375, 381, 716, 716.1, 716.4, 716.5; D7/553.3, 553.4, 553.5; D12/400, 411, D12/419
CPC . B60N 2/00; B60N 2/64; B60N 2/643; B60N 2/58; B60N 2/646; B60N 2/66; B60N 2/68; B60N 2/686; B60N 2/80; B60N 2/803; B60N 2/4249; B60N 3/002; B60N 3/101; B60N 3/103

See application file for complete search history.

(56) **References Cited**

U.S. PATENT DOCUMENTS

D221,217 S *	7/1971	Beychok	D12/419
D223,681 S *	5/1972	Whitaker	D12/419
D341,521 S *	11/1993	Norbury	D7/553.4
5,788,324 A *	8/1998	Shea	B60N 3/101
				297/411.32
D434,721 S *	12/2000	Lieberman	D12/419
2016/0107550 A1 *	4/2016	Hwang	B60N 3/002
				297/161

Complete Console Front Floor Fixed Fits 11-19 SIENNA 647416, ebay.com, Retrieved Date: Mar. 23, 2022, p. 1, from https://www.ebay.com/itm/234289917213?_trkparms=amclsrc%3DITM%26aid%3D1110006%6algo%3DHOMESPLICE.SIM%26ao%3D1%26asc%3D237732%26meid%3D4dac6b163e6745bb82c40d37bf5d3376%26pid%3D101196%26rk%3D1%26rkt%3D12%26sd%3D265589161667%26itm%3d234289917213%26pmt%3D1%26noa%3D0%26pg%3D2047675%26algv%3DSimplAMLv9PairwiseWithPLXWebFitmentFilter&_trksid=p2047675.c101196.m2219&amdata=cksum%3A2342899172134dac6b163e6745bb82c40d37bf5d3376%7Cenc%3AAQAGAAACEHYfk%252BgaHq%252FN50vXtH491IwJe1SE71JNjXHgLoBVqDnSxUIV9Hh1j64WDGUP9bj8RI12rAHjdHQvqdBziwavdCaKOvNNxG1hq0X6i0tjuFq9fchBF3eGPXu3E9p6mk6LRmW3ZJZmxkiQS3CFFIZMNZFkuTOfMi7SQ4UpapTJwpG3%252F88umgppYzvzPYLI38rX8exObcDX8mKIHq5B1BTs8LW3UdQBKhD8JKkr%252FTMp%252FZ9VpDMB%252BKji4JZFGDvfHCJOhuQZjOgTkjYju1ypwFr00TeqTHhmJpBR27TLwqieZh19aayPyHzGu7FIER8u2t%252FLAi63gFk6PA0gGEQZGGfbXV7wsBo3uUXhte7q6p1kdzPab6gbzO8NwEuHXi280WpKHauhzX%252FG8Tpt2akbvFwWUaXAUxc%252F7wMIF5252FHJzPFs%252FR8S3vLNMI6VdUU0mvPBS9BAMLpWxCh1HHF4Vly3v9uGWt8JfhhbHhJRXkbLD8RHP%252FbPW9hjtNMMQianrQePxNPHt1HVVo2KYXOPmhfTrQexeqSgAdR7Oyc9liX1NW8Rug1VwtZMDV6kTfUrp9r3IGv74NsIQW7tdYmK27keq%252BE07c9t2sUB2RA%252FHiaHFyWs5XFfzo7qbix6nDqmIXrv1gv3FN4iYGtYJw4bS%252FJd3AetnbEr2YouR32AX6qe%252Bat8EZQ3WqNIbB5gQbk1XqmnXpeA%253D%253D%7Campid%3APL_CLK%7Cclp%3A2047675 (Year: 2022).*

(Continued)

Primary Examiner — Mimosa De

(74) Attorney, Agent, or Firm — Lee & Hayes, P.C.

(57) **CLAIM**

The ornamental design for a vehicle seat, as shown and described.

DESCRIPTION

FIG. 1 is a top perspective view of a vehicle seat; FIG. 2 is a bottom perspective view thereof;

(Continued)

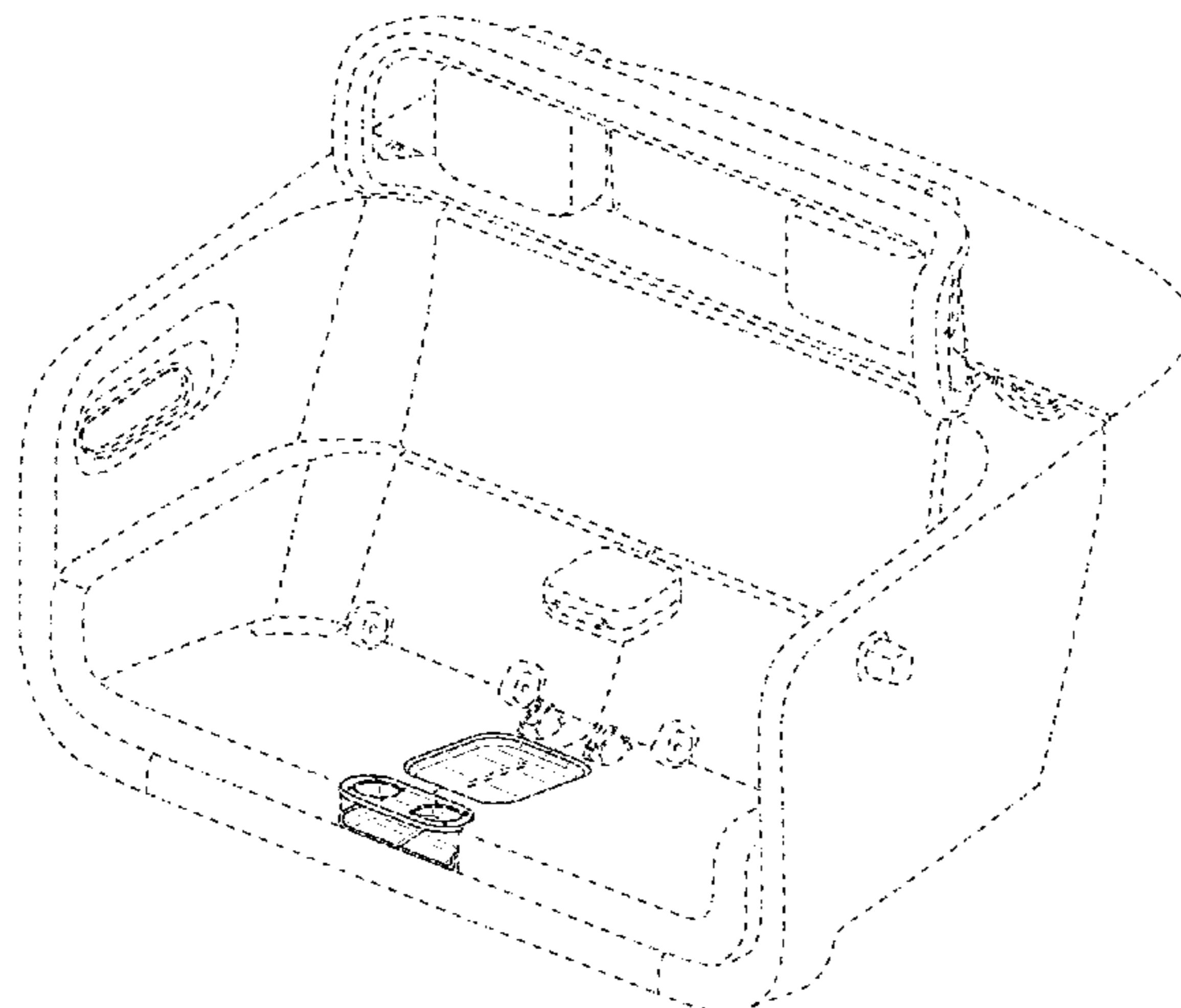


FIG. 3 is a front view thereof;

FIG. 4 is a back view thereof;

FIG. 5 is a left-side view thereof;

FIG. 6 is a right-side view thereof;

FIG. 7 is a top view thereof; and,

FIG. 8 is a bottom view thereof.

The dashed broken lines depict portions of the vehicle seat that form no part of the claimed design.

1 Claim, 8 Drawing Sheets

OTHER PUBLICATIONS

The Japanese Office Action dated Japanese Patent Application No. 2020-010991, a counterpart of U.S. Appl. No. 29/715,618, 3 pages.
Chinese Office Action dated Jun. 11, 2021 for Chinese Patent Application No. 202030272958.2, a counterpart foreign application of U.S. Appl. No. 29/715,618, page.
Chinese Office Action dated Sep. 1, 2021 for Chinese Application No. 202030272958.2, a foreign counterpart to U.S. Appl. No. 29/715,618, 1 page.
Japanese Office Action dated Sep. 17, 2021 for Japanese Patent Application No. 2021-004543, a foreign counterpart to U.S. Appl. No. 29/715,618, 3 pages.

* cited by examiner

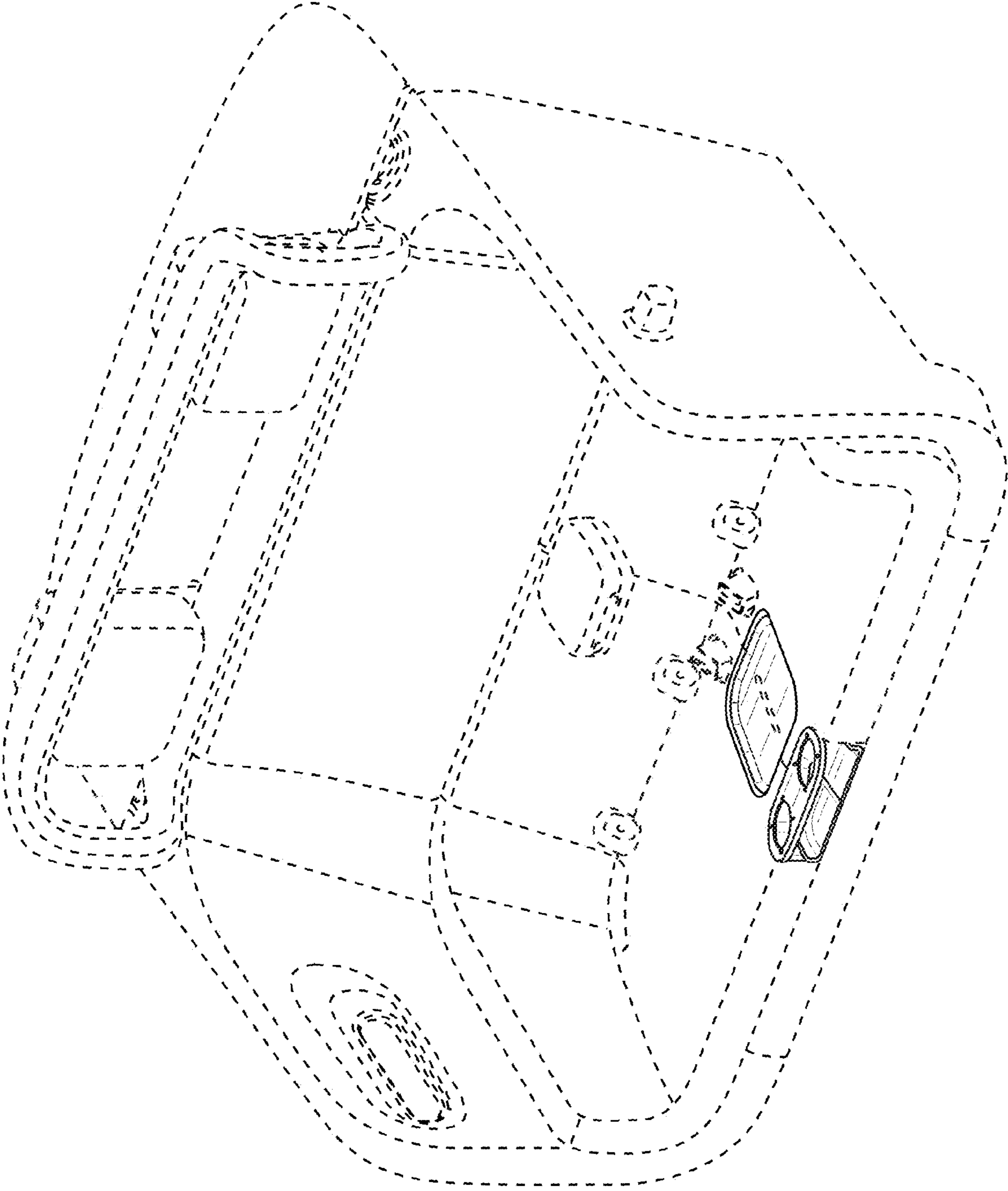


FIG. 1

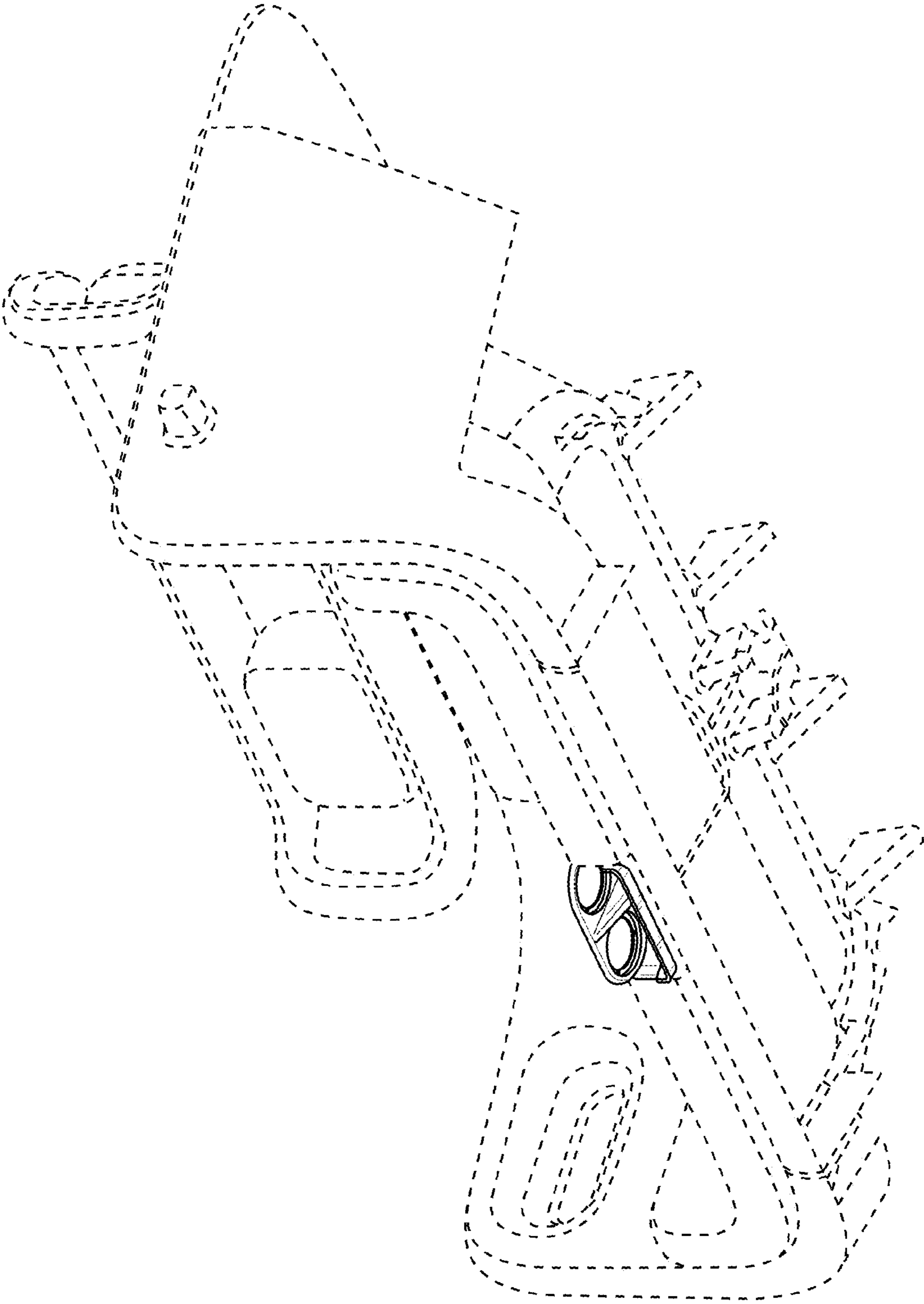


FIG. 2

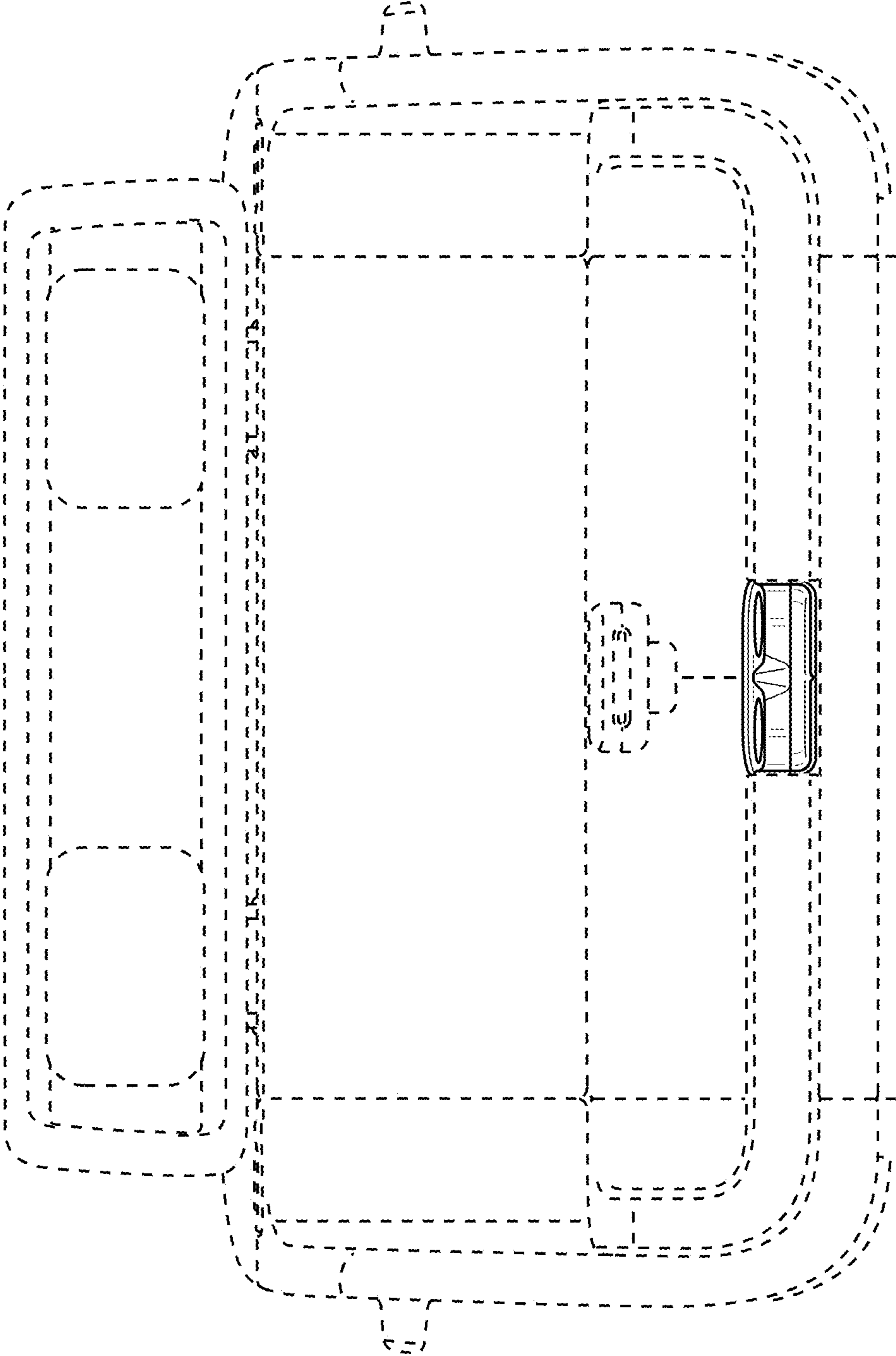


FIG. 3

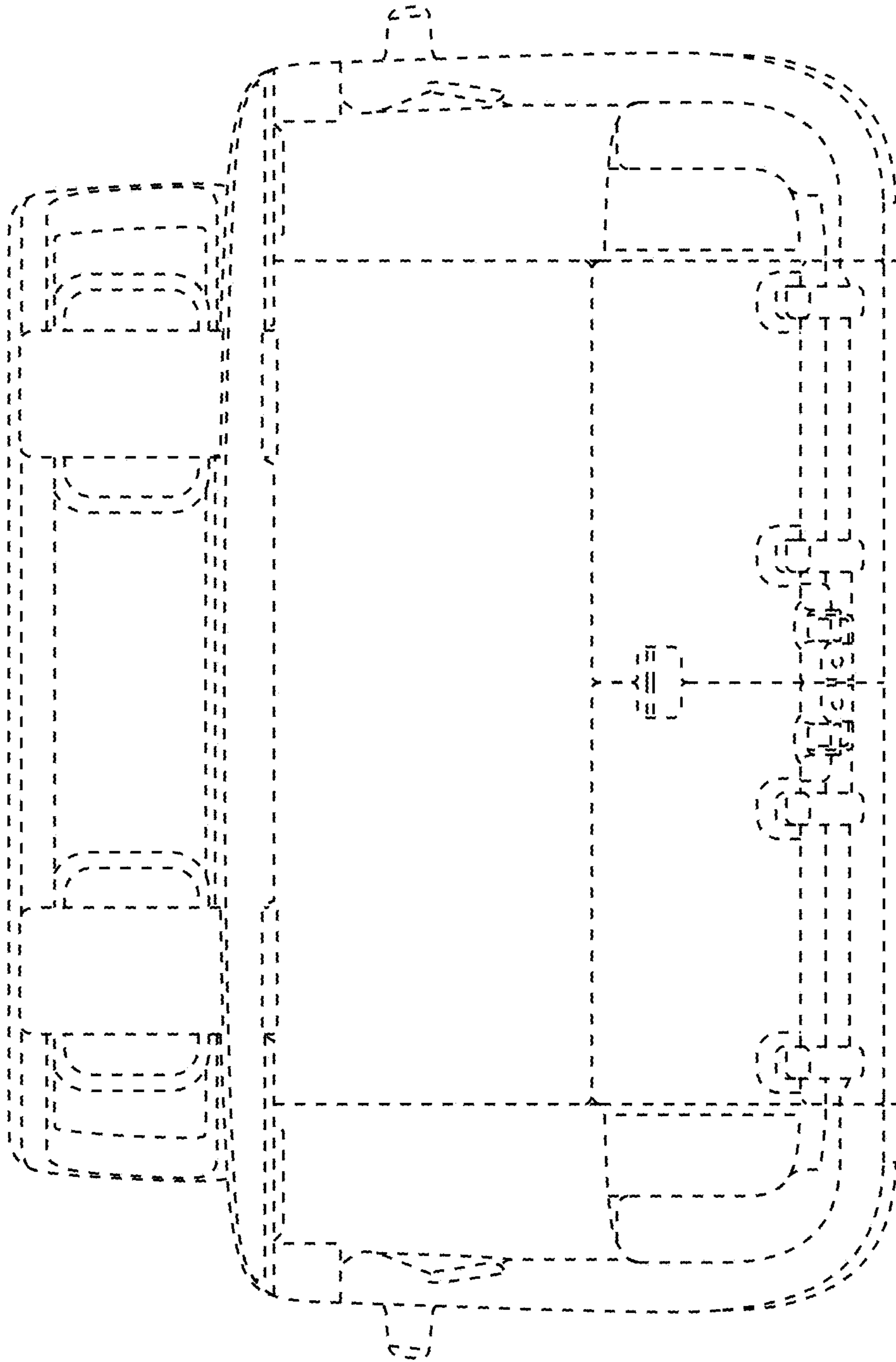


FIG. 4

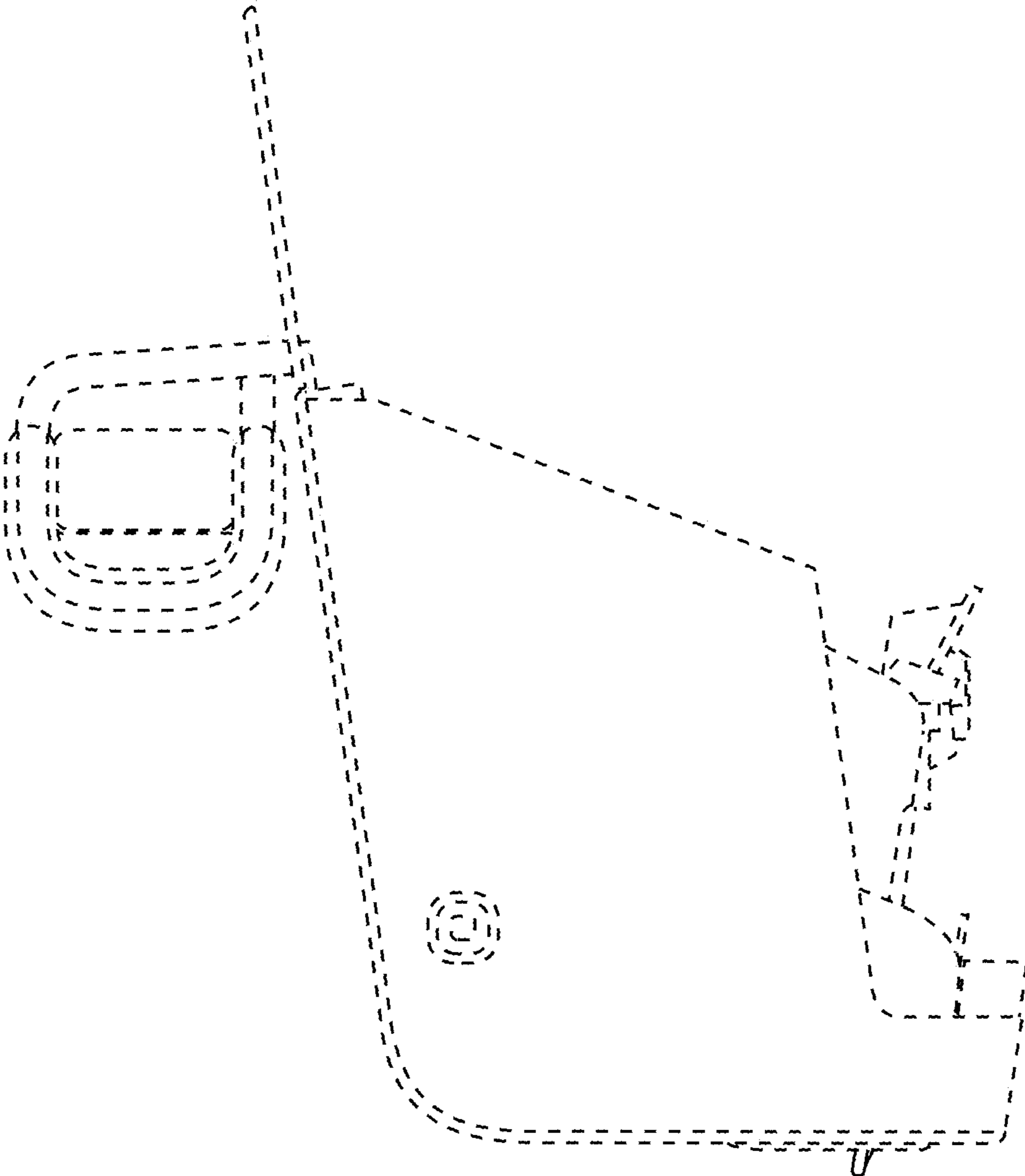


FIG. 5

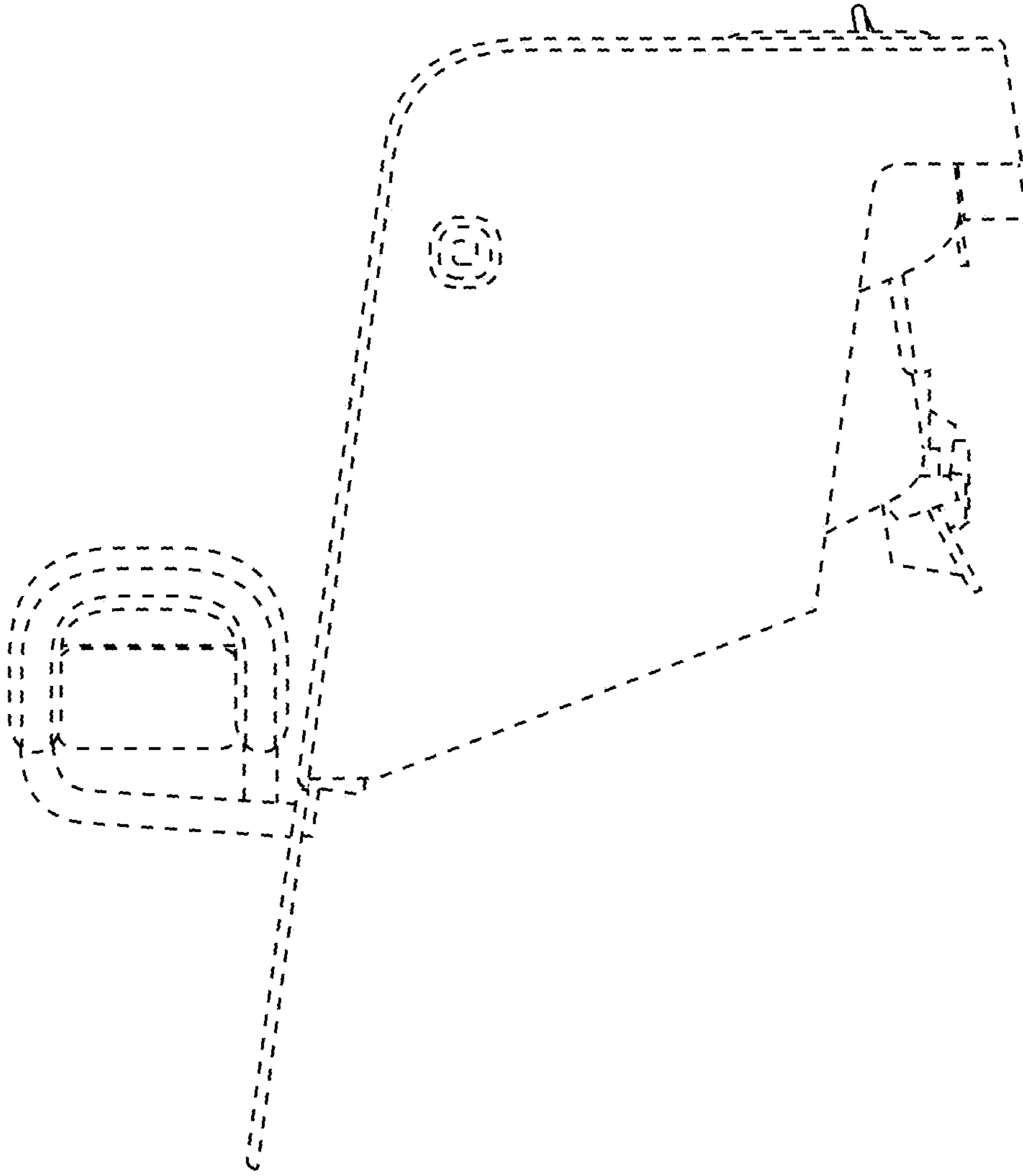


FIG. 6

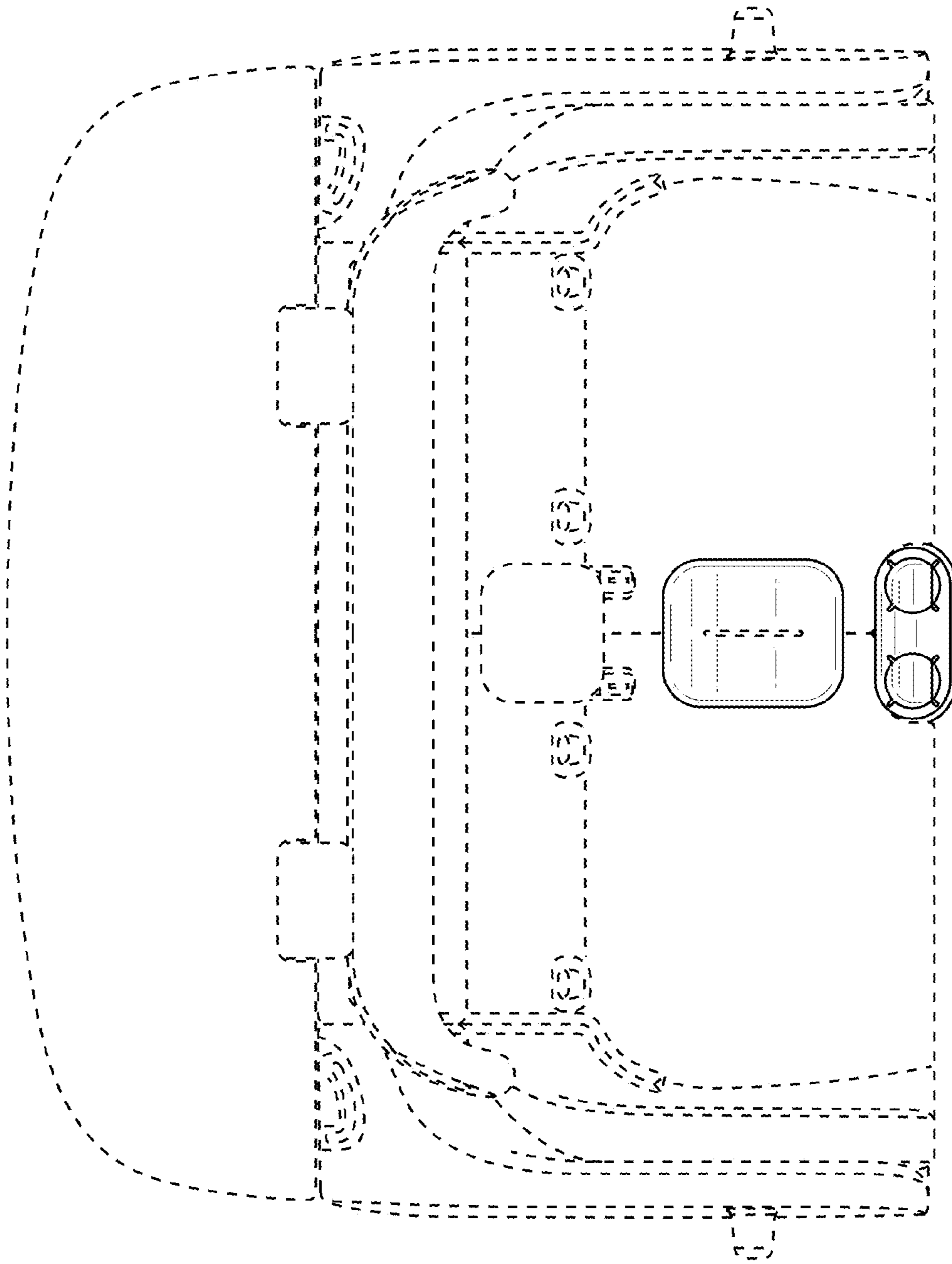


FIG. 7

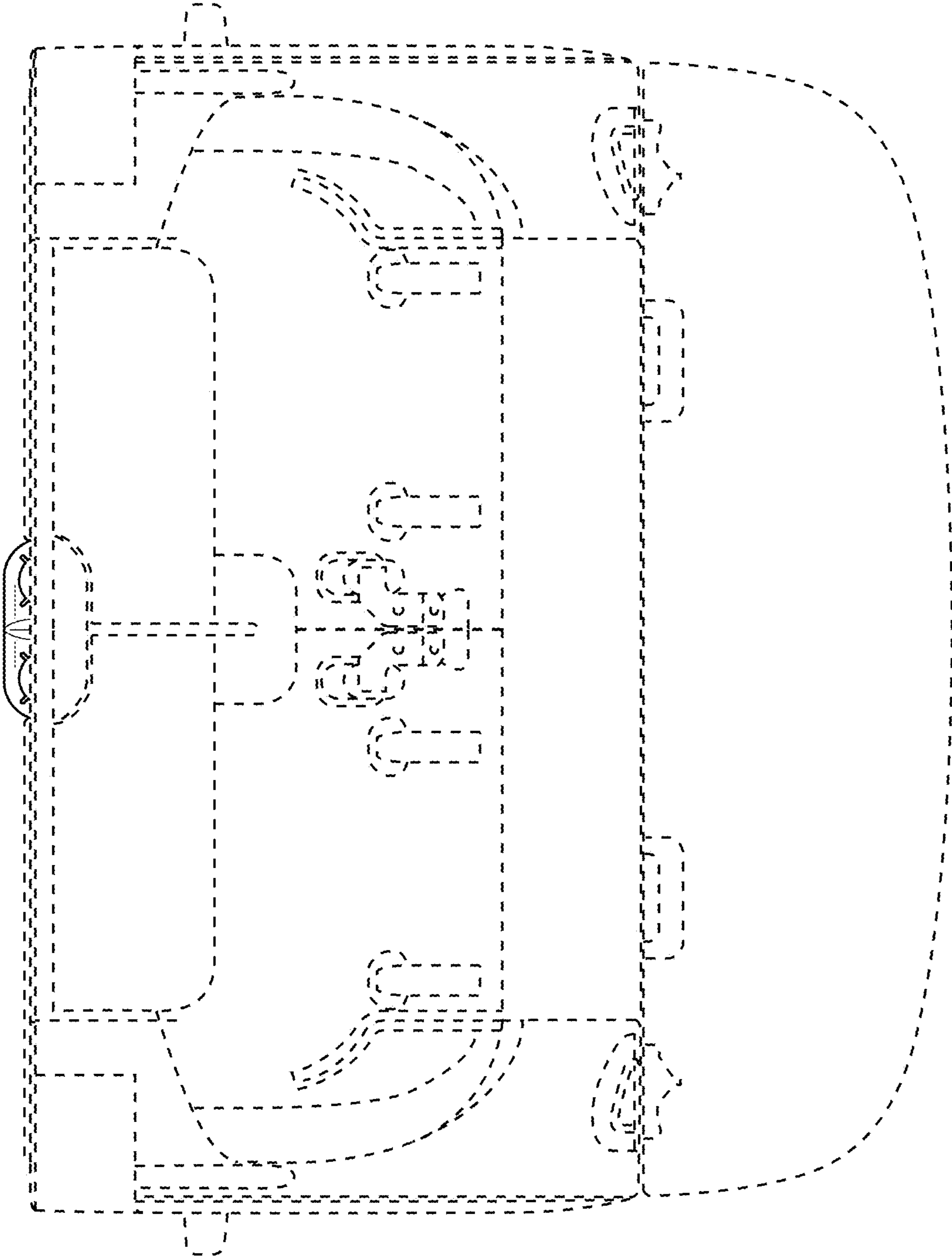


FIG. 8