



US00D958722S

(12) **United States Design Patent**
Yang

(10) **Patent No.:** **US D958,722 S**
(45) **Date of Patent:** **** Jul. 26, 2022**

- (54) **BICYCLE FRONT FORK FIXING DEVICE**
- (71) Applicant: **FORMOSA SAINT JOSE CORPORATION**, Taipei (TW)
- (72) Inventor: **Ming-Shun Yang**, Taipei (TW)
- (73) Assignee: **FORMOSA SAINT JOSE CORP.**, Taipei (TW)
- (**) Term: **15 Years**
- (21) Appl. No.: **29/758,934**
- (22) Filed: **Nov. 19, 2020**
- (51) **LOC (13) Cl.** **12-16**
- (52) **U.S. Cl.**
USPC **D12/408**; D8/499
- (58) **Field of Classification Search**
USPC D8/499; D12/111, 406, 407, 408, 412, D12/414
CPC .. B60R 9/06; B60R 9/10; B60R 9/045; B60R 9/048; B60R 11/00
See application file for complete search history.

- (56) **References Cited**
U.S. PATENT DOCUMENTS
- 4,690,427 A * 9/1987 Raidel, Sr. B60G 11/27 280/277
- 5,749,694 A * 5/1998 Ackerman B60R 9/10 224/482
- 6,758,380 B1 * 7/2004 Kolda B60R 9/048 224/924

7,757,914 B2 *	7/2010	Book	B60R 9/048 224/924
D653,193 S *	1/2012	Chisholm	D12/408
D689,012 S *	9/2013	Kuschmeader	D12/408
D759,571 S *	6/2016	Eriksson	D12/408
D814,388 S *	4/2018	Salsi	D12/408
10,035,467 B2 *	7/2018	Flaherty	B60R 9/048
10,252,758 B2 *	4/2019	Lickton	B62H 3/10
D863,199 S *	10/2019	Adler	D12/408
10,857,949 B2 *	12/2020	Lesley	B60R 9/10
10,926,711 B2 *	2/2021	Tsai	B60R 9/10
2015/0224939 A1 *	8/2015	Flaherty	B60R 9/048 74/491
2017/0021774 A1 *	1/2017	Settelmayer	B60R 9/048
2018/0297537 A1 *	10/2018	Lesley	B60R 9/10

* cited by examiner

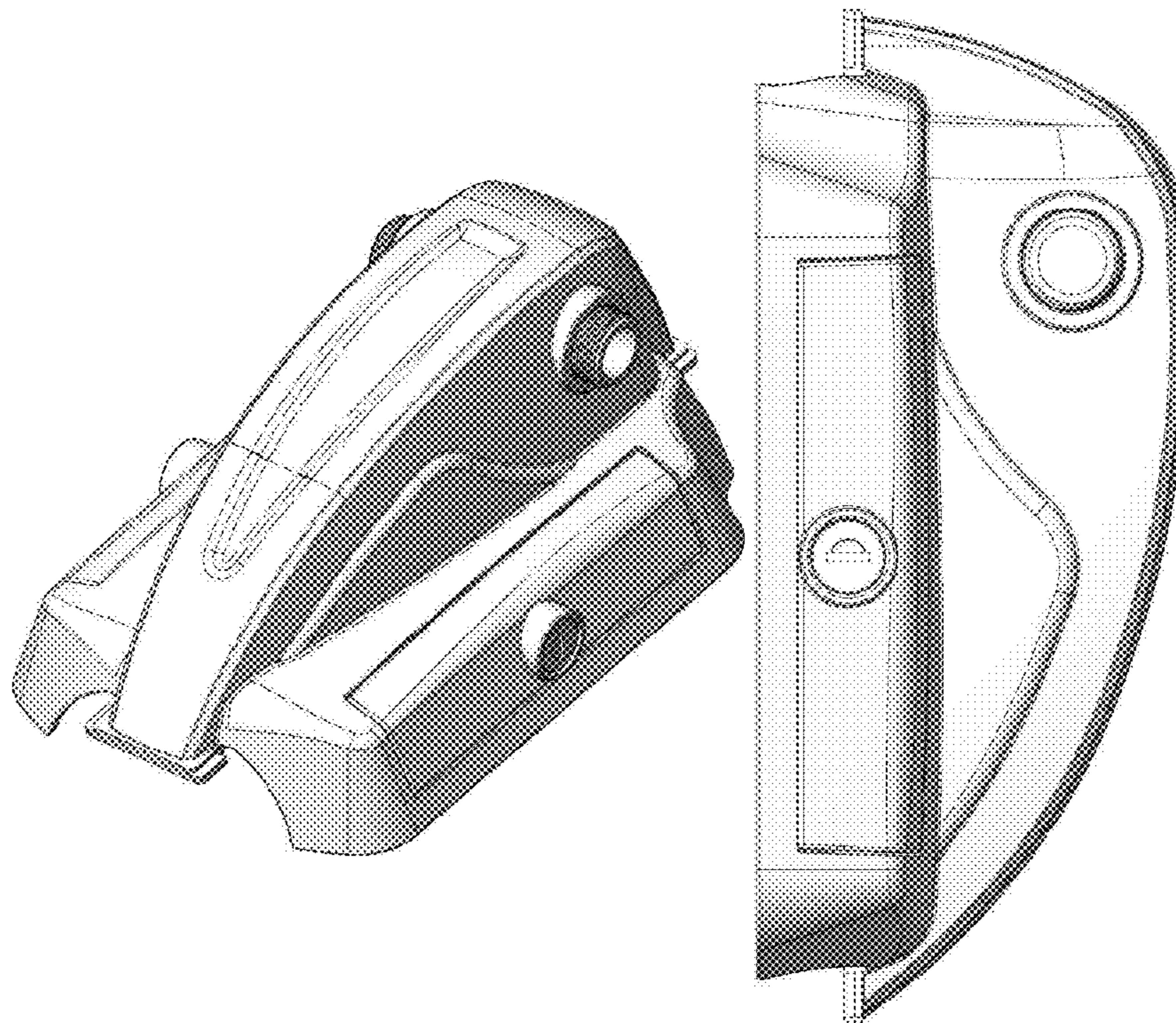
Primary Examiner — Keli L Hill
Assistant Examiner — Harold E Blackwell, II
(74) *Attorney, Agent, or Firm* — Pro-TECHTOR International Services; Ian Oglesby

(57) **CLAIM**
The ornamental design for a bicycle front fork fixing device, as shown and described.

DESCRIPTION

FIG. 1 is a perspective view of a bicycle front fork fixing device showing my new design; FIG. 2 is a front elevational view thereof; FIG. 3 is a left elevational view thereof; FIG. 4 is a right elevational view thereof; FIG. 5 is a top plan view thereof; and, FIG. 6 is a bottom plan view thereof.

1 Claim, 5 Drawing Sheets



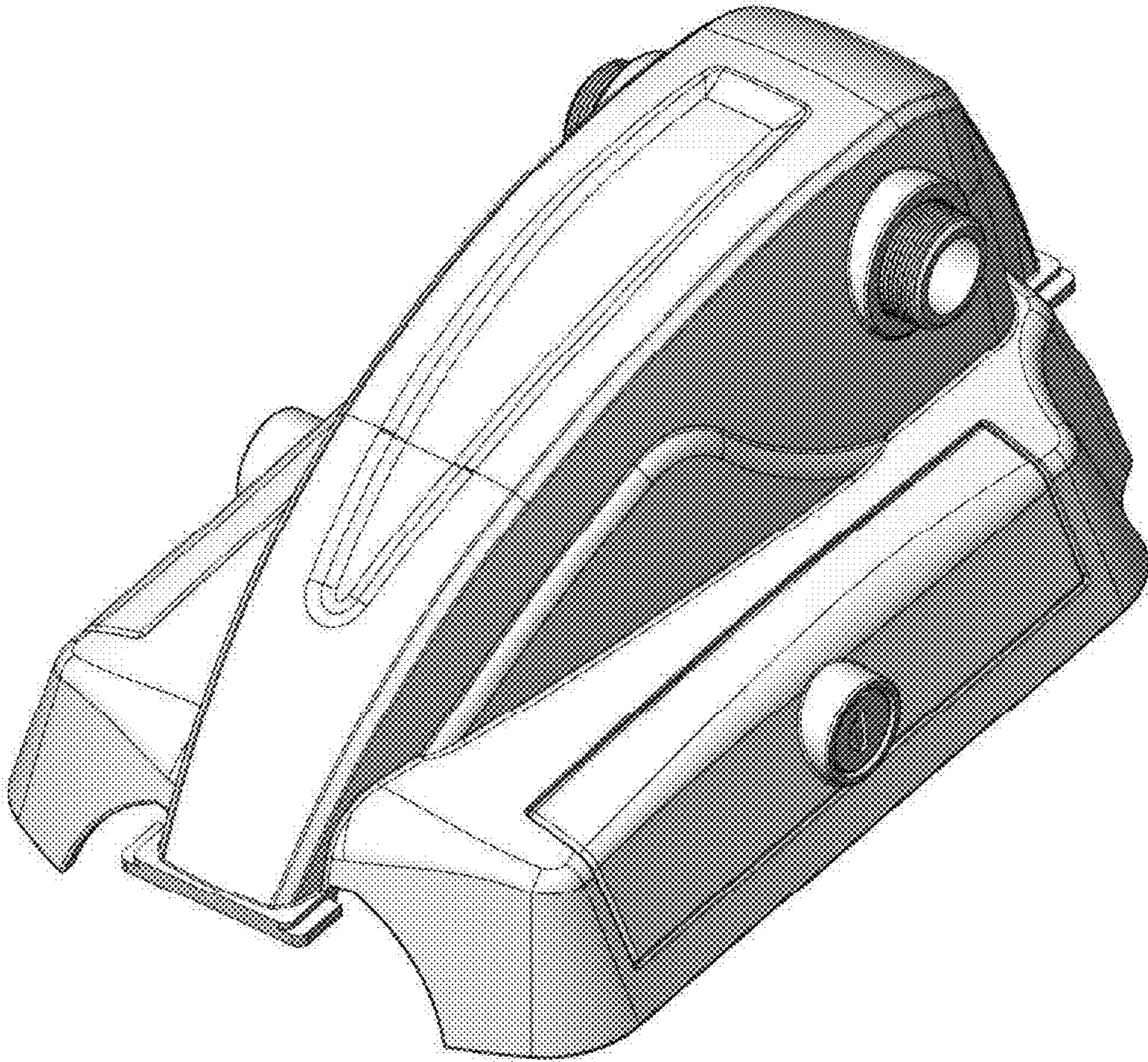


FIG. 1

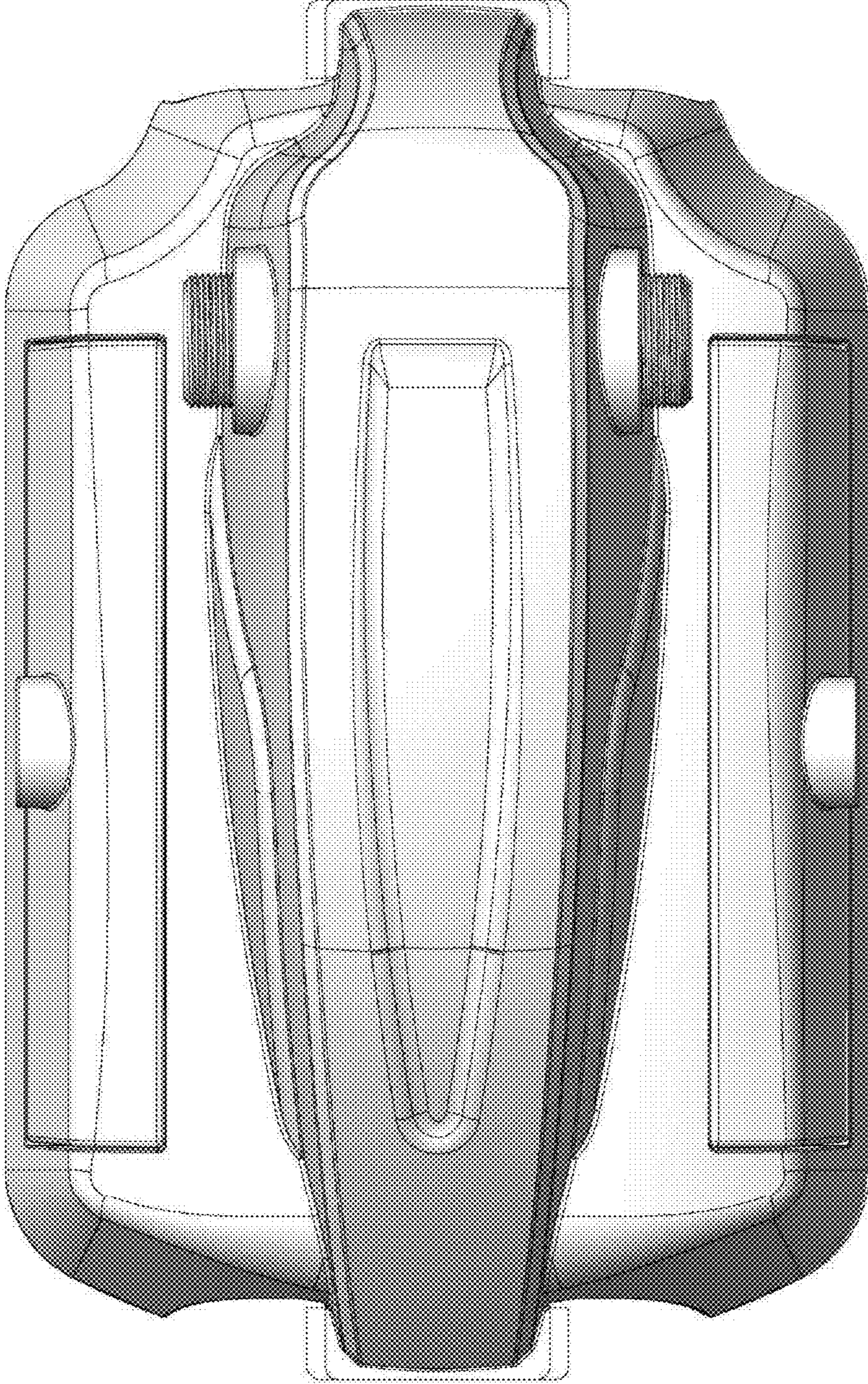


FIG. 2

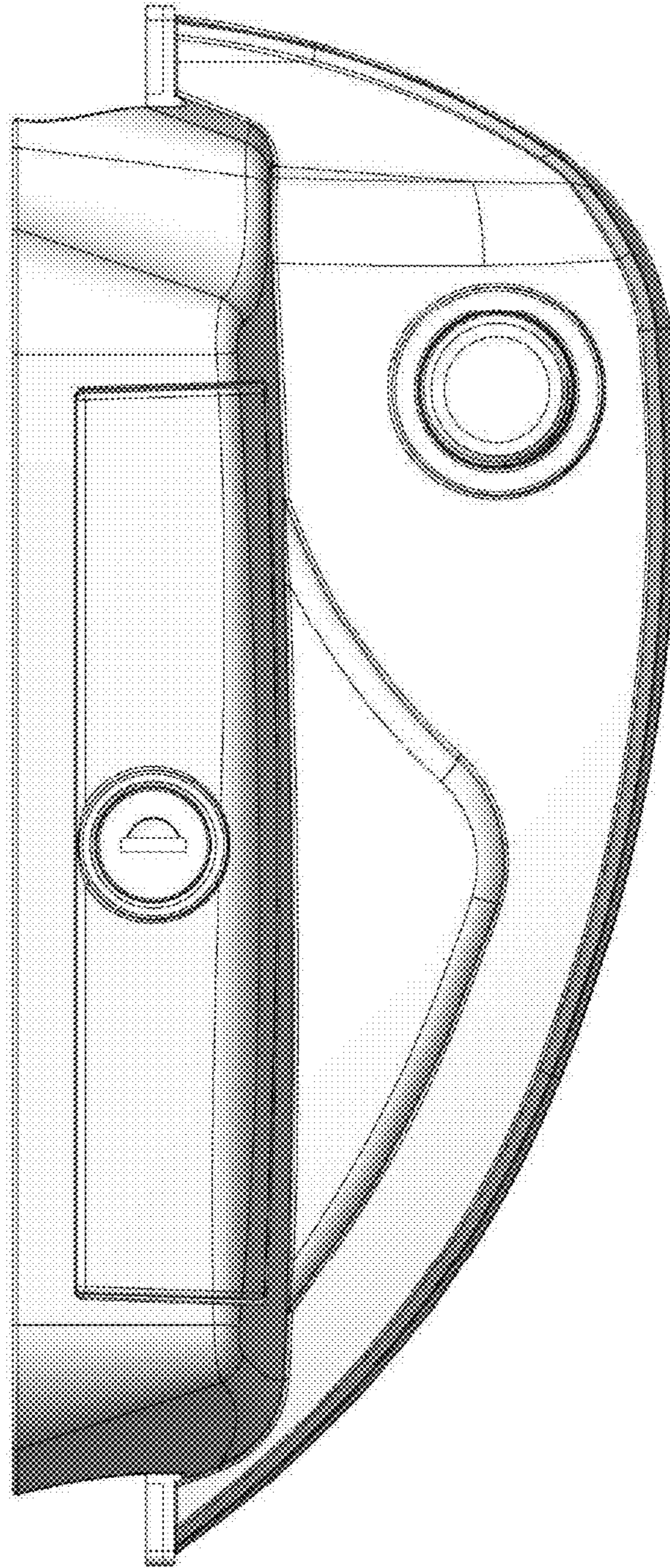


FIG. 3

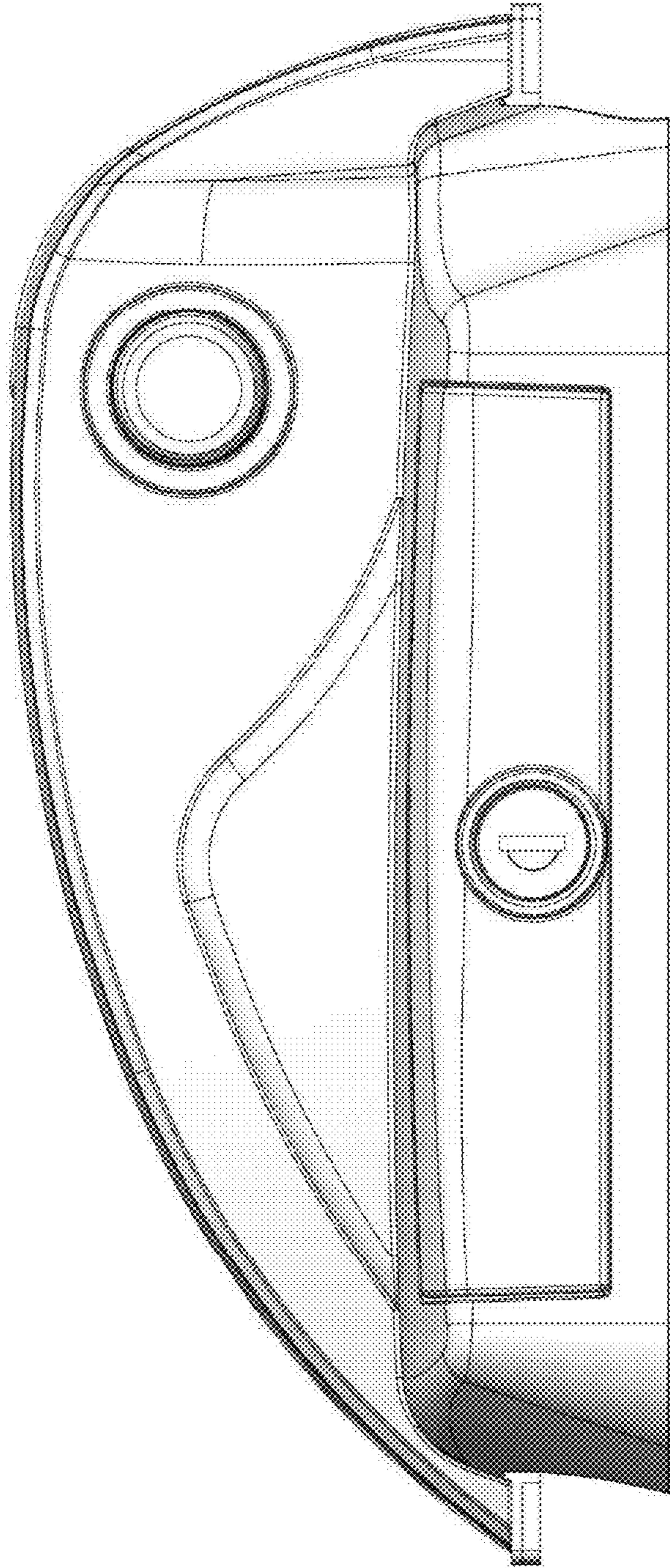


FIG. 4

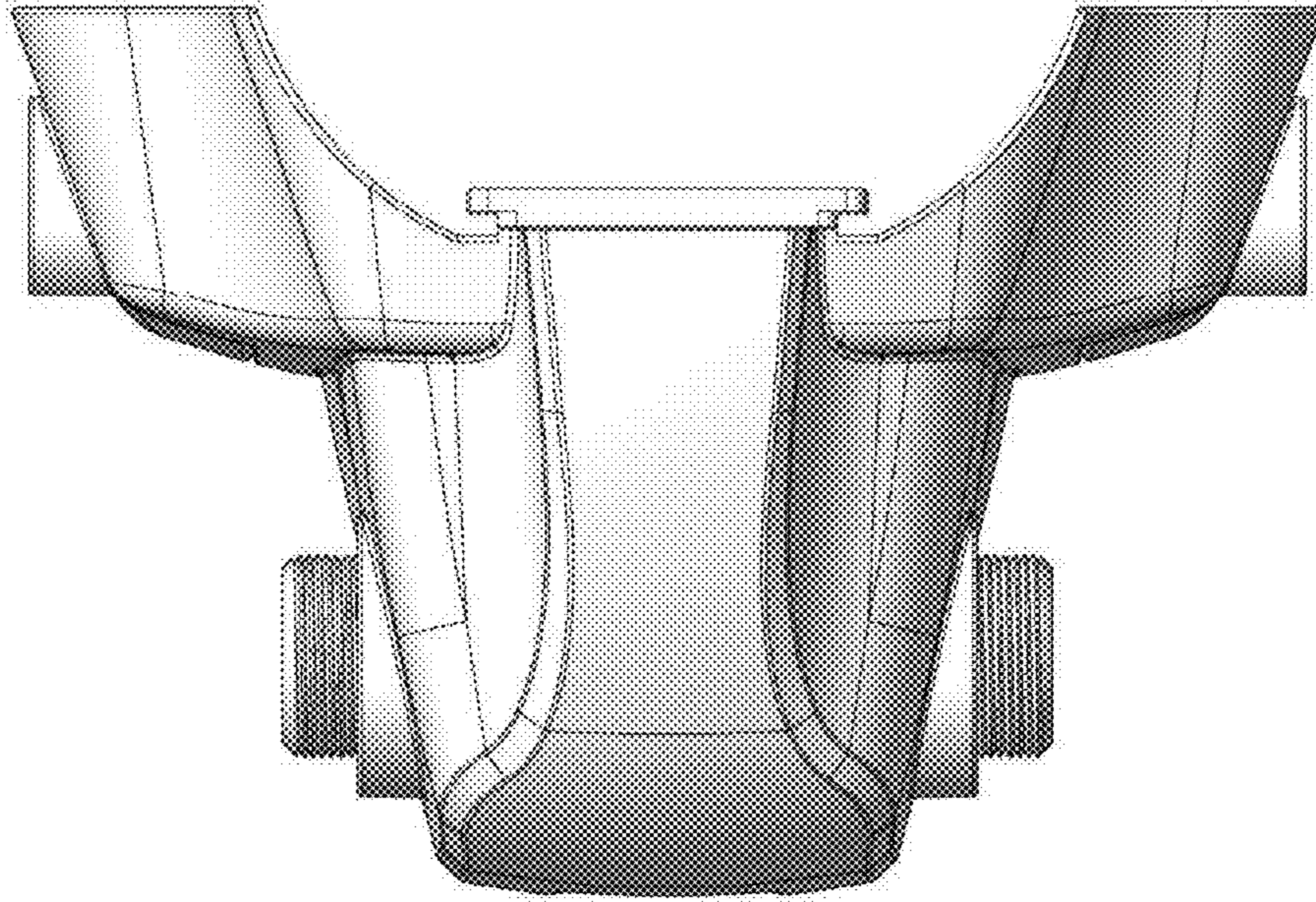


FIG. 5

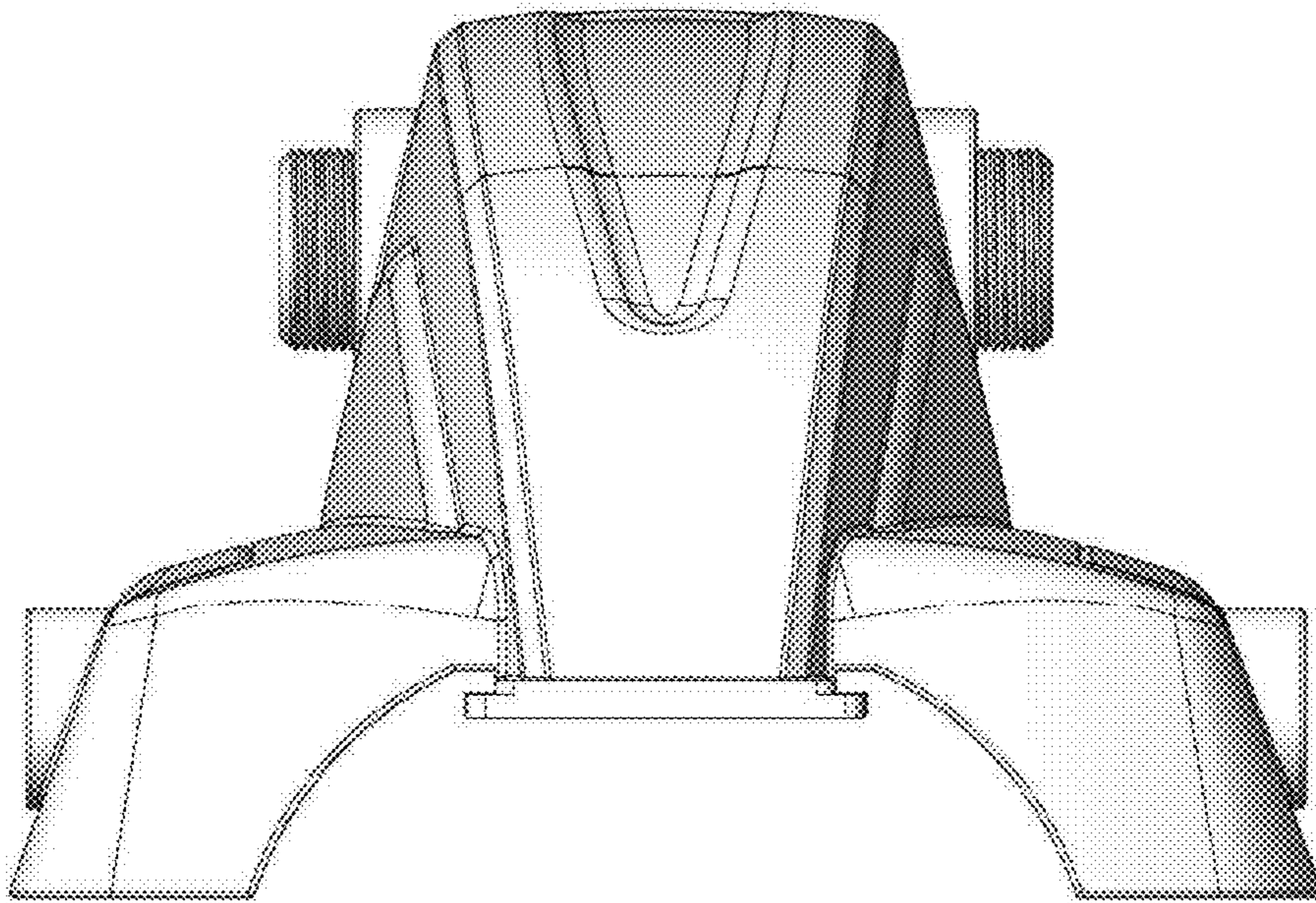


FIG. 6