



US00D958719S

(12) **United States Design Patent**  
**Ashley**

(10) **Patent No.:** **US D958,719 S**

(45) **Date of Patent:** **\*\* \*Jul. 26, 2022**

(54) **BOAT**

(71) Applicant: **King Hell Boats, Inc.**, Harvard, MA  
(US)

(72) Inventor: **Christopher C. Ashley**, Harvard, MA  
(US)

(73) Assignee: **Reward Boats, Inc.**, Weston, MA (US)

(\*) Notice: This patent is subject to a terminal disclaimer.

(\*\*) Term: **15 Years**

(21) Appl. No.: **29/639,226**

(22) Filed: **Mar. 5, 2018**

(51) **LOC (13) Cl.** ..... **12-06**

(52) **U.S. Cl.**  
USPC ..... **D12/306**

(58) **Field of Classification Search**  
USPC ..... D12/300, 302, 306, 317  
CPC ..... B63H 16/12; B63H 16/14; B63B 34/20;  
B63B 34/26; F02D 11/02  
See application file for complete search history.

(56) **References Cited**

**U.S. PATENT DOCUMENTS**

D227,939 S *	7/1973	Robbins et al.	.....	D12/312
D286,764 S *	11/1986	Turner	.....	D12/300
D287,961 S *	1/1987	Greene	.....	D12/300
D292,202 S *	10/1987	Eerdmans	.....	D12/302
D293,566 S *	1/1988	Lindheimer	.....	D12/300
4,936,802 A *	6/1990	Ueno	.....	B63H 1/36 440/13
D315,713 S *	3/1991	Jepson	.....	D12/302

D317,748 S *	6/1991	Arcouette	.....	D12/302
D322,774 S *	12/1991	Arcouette	.....	D12/302
D343,380 S *	1/1994	Wortham	.....	D12/300
5,460,551 A *	10/1995	Beres	.....	B63H 16/14 114/347
D370,655 S *	6/1996	Beerman	.....	D12/300
D375,930 S *	11/1996	Howard	.....	D12/300
D380,186 S *	6/1997	Van Veen	.....	D12/300
5,672,080 A *	9/1997	Gauthier	.....	B63B 32/56 440/27
D399,814 S *	10/1998	Toro	.....	D12/306
D419,952 S *	2/2000	Copeland	.....	D12/300
D431,521 S *	10/2000	Howard	.....	D12/300
D584,676 S *	1/2009	Howard	.....	D12/302

\* cited by examiner

*Primary Examiner* — Cynthia M. Chin

(74) *Attorney, Agent, or Firm* — Wolf, Greenfield & Sacks, P.C.

(57) **CLAIM**

The ornamental design for a boat, as shown and described.

**DESCRIPTION**

FIG. 1 is a perspective view of a boat in accordance with my new design.

FIG. 2 is a top plan view of the boat of FIG. 1.

FIG. 3 is an elevational view of the left side of the boat of FIG. 1.

FIG. 4 is an elevational view of the right side boat of FIG. 1.

FIG. 5 is a bottom plan view of the boat of FIG. 1.

FIG. 6 is an elevational view of the rear of the boat; and, FIG. 7 is an elevational view of the front of the boat.

The broken lines are for the purpose of illustrating portions of the article that form no part of the claimed design.

**1 Claim, 4 Drawing Sheets**

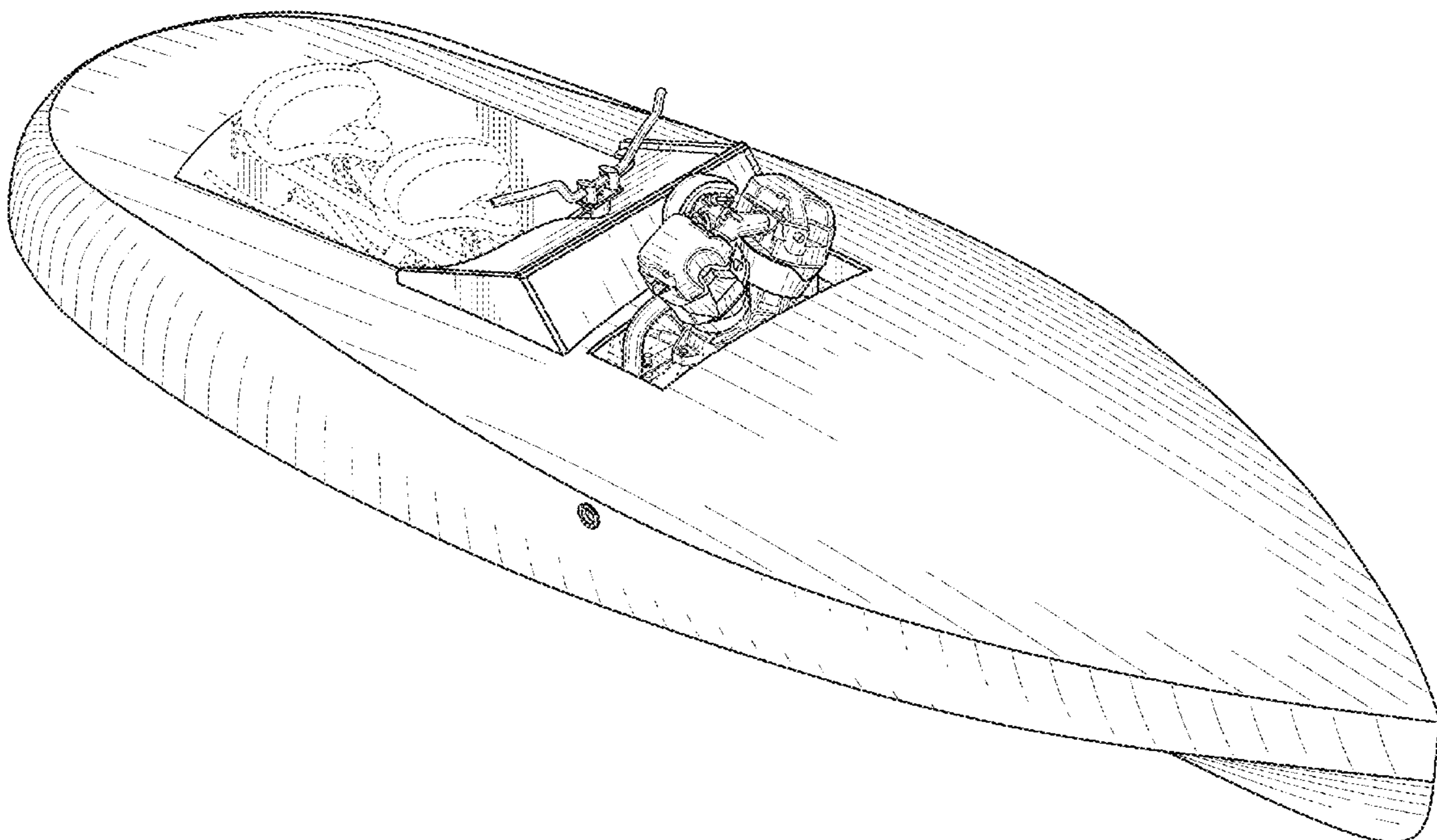


FIG. 1

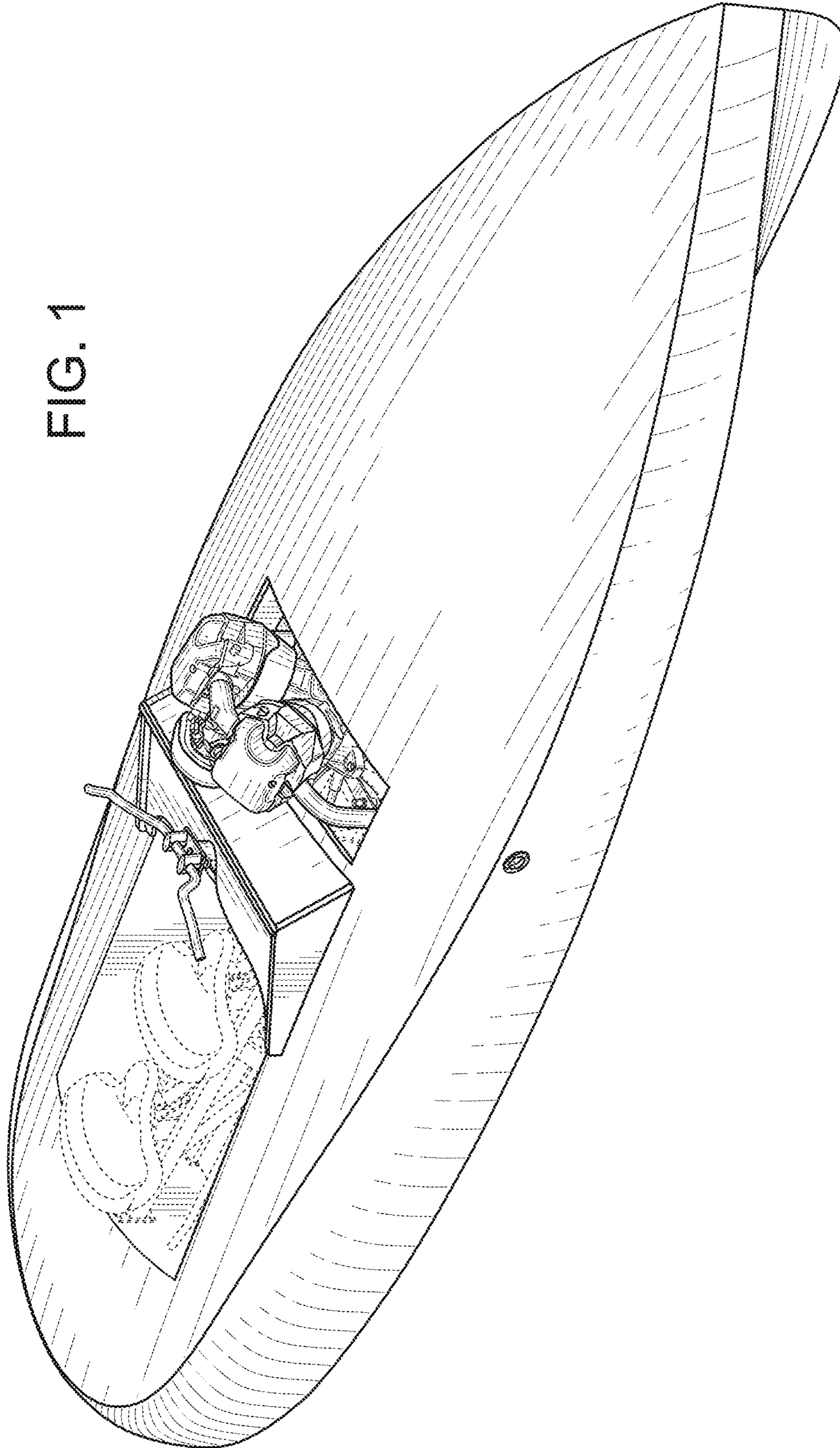




FIG. 2

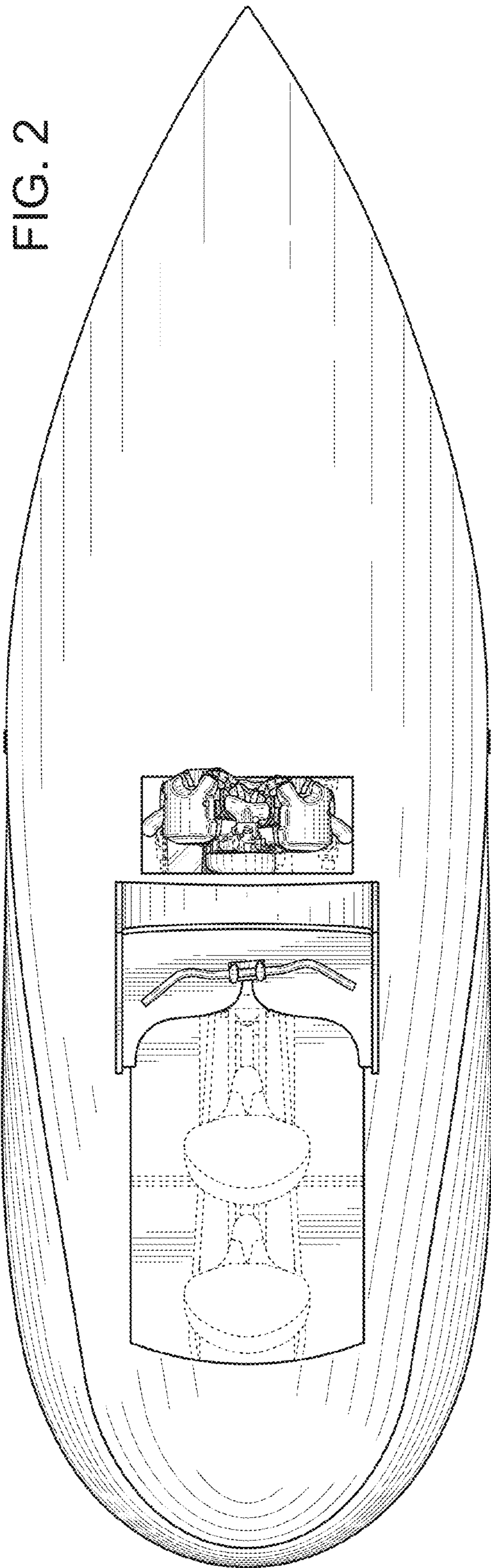


FIG. 3

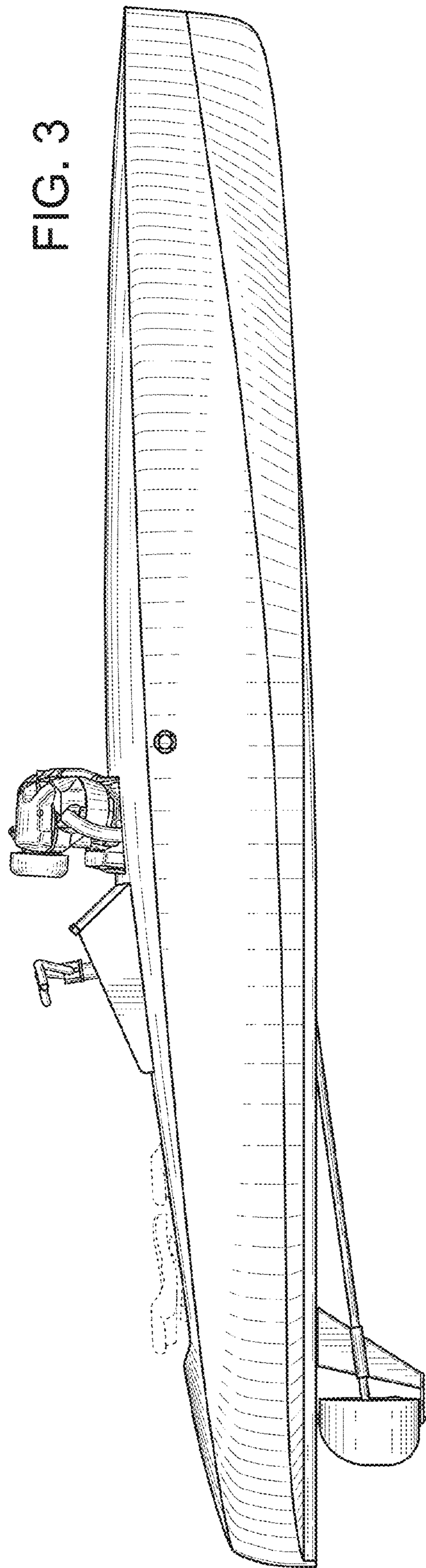


FIG. 4

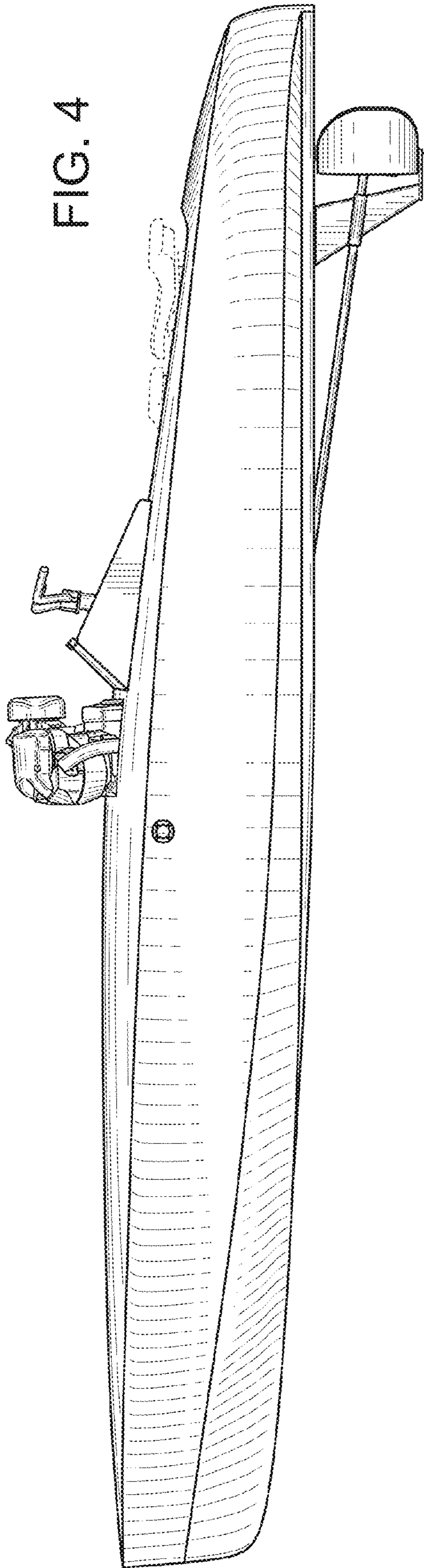
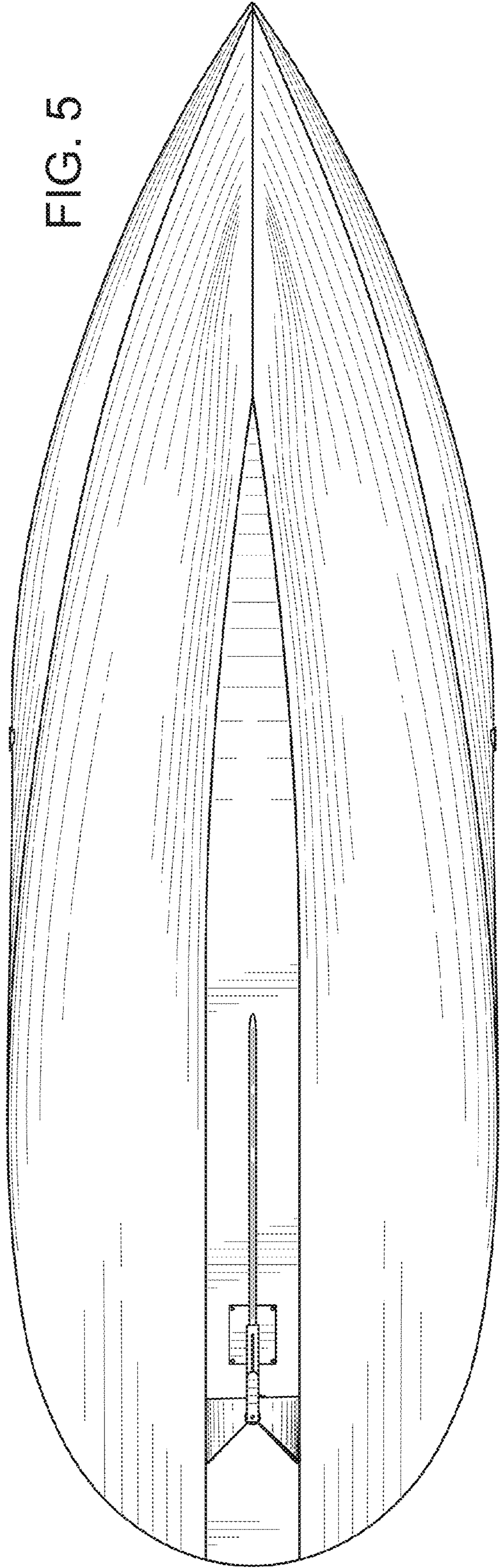


FIG. 5





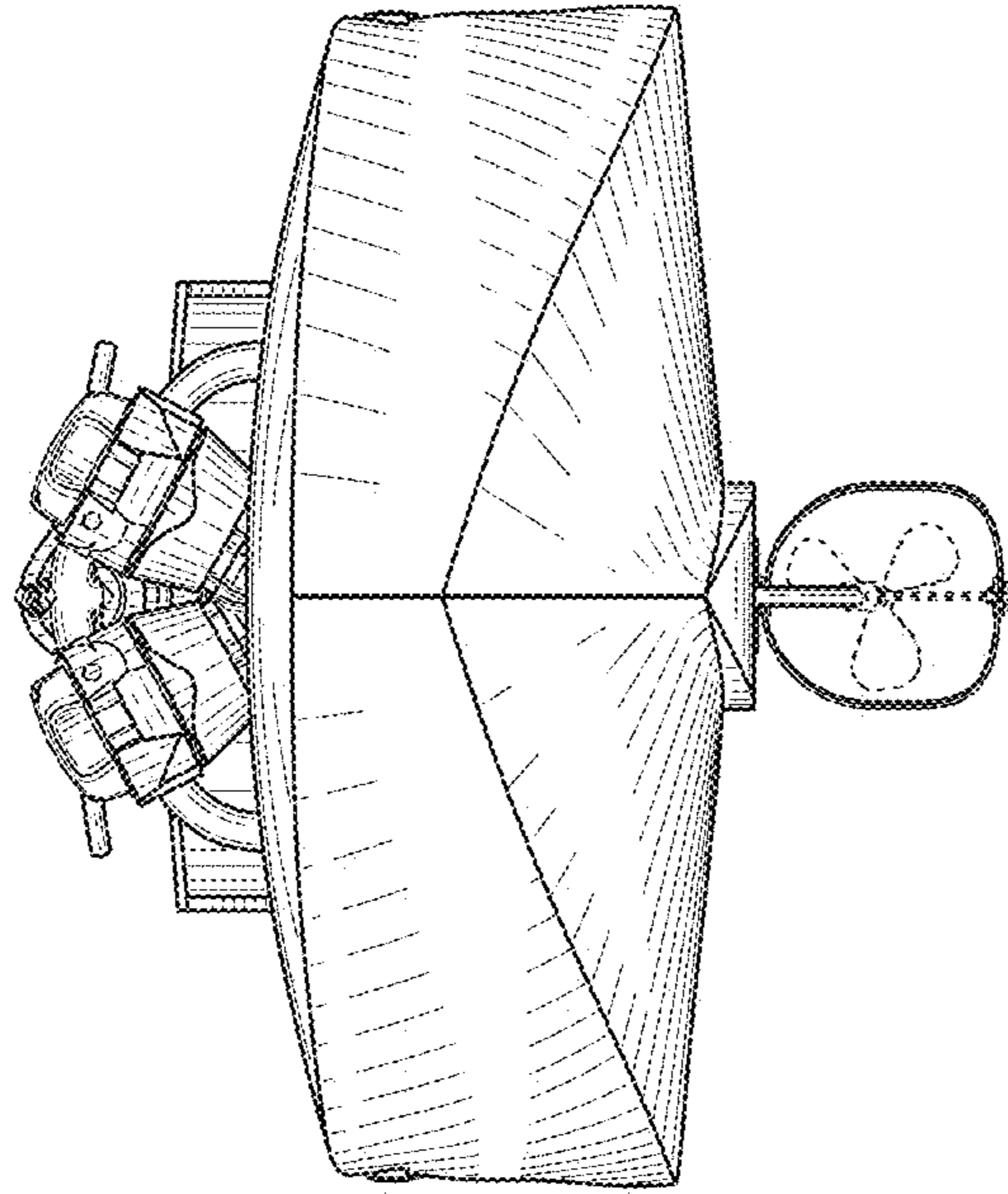


FIG. 7

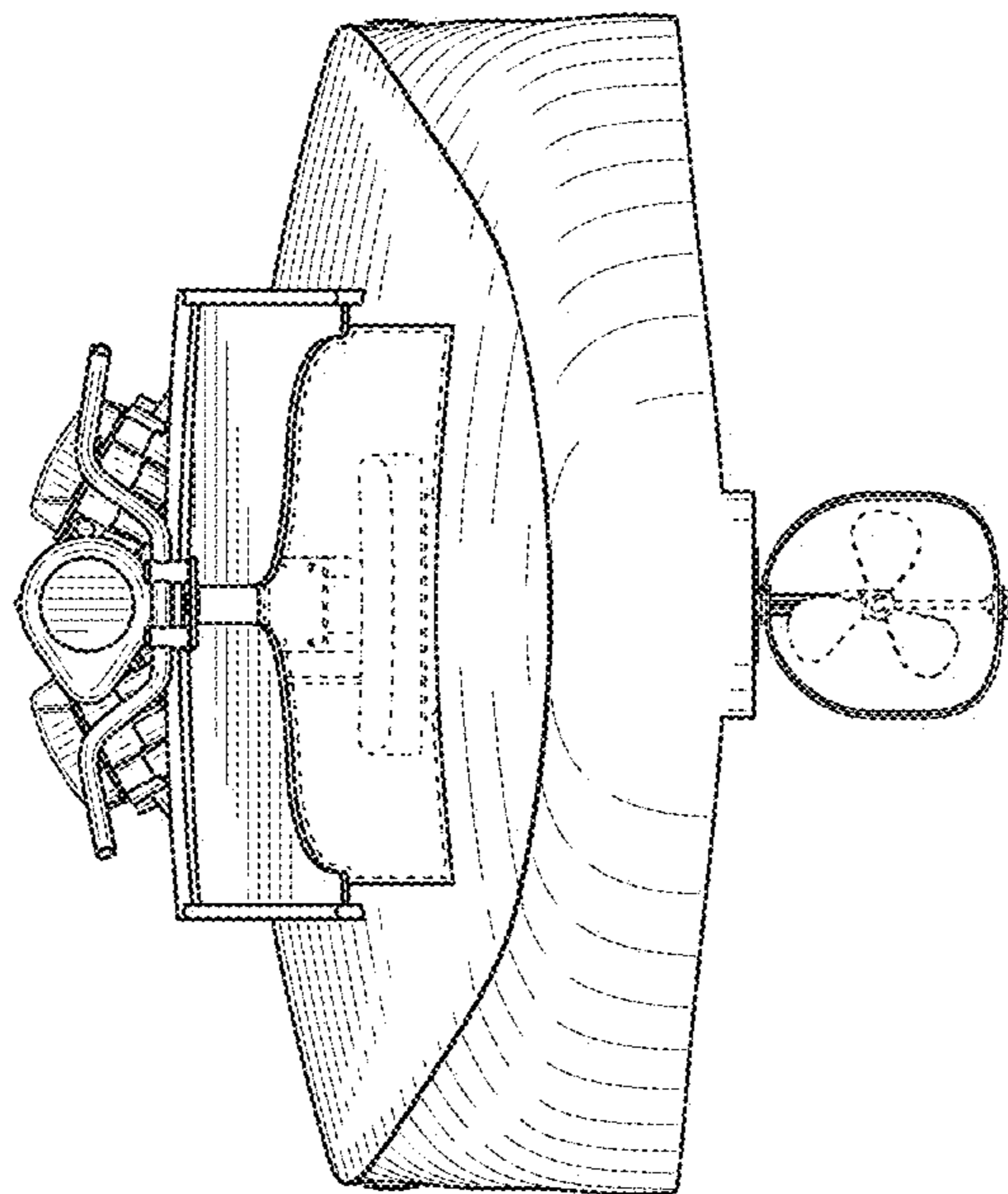


FIG. 6