



US00D958716S

(12) **United States Design Patent**
Benjamin et al.

(10) **Patent No.:** **US D958,716 S**
(45) **Date of Patent:** **** Jul. 26, 2022**

- (54) **AUTOMOBILE INTERIOR**
- (71) Applicants: **Chris A. Benjamin**, Clarkston, MI (US); **Winnie W. Cheung**, Clarkston, MI (US); **Dan M. Zimmermann**, Clarkston, MI (US); **Cecile M. Giroux**, Clarkston, MI (US)
- (72) Inventors: **Chris A. Benjamin**, Clarkston, MI (US); **Winnie W. Cheung**, Clarkston, MI (US); **Dan M. Zimmermann**, Clarkston, MI (US); **Cecile M. Giroux**, Clarkston, MI (US)
- (73) Assignee: **FCA US LLC**, Auburn Hills, MI (US)
- (**) Term: **15 Years**
- (21) Appl. No.: **29/722,524**
- (22) Filed: **Jan. 30, 2020**
- (51) **LOC (13) Cl.** **12-16**
- (52) **U.S. Cl.**
USPC **D12/192**
- (58) **Field of Classification Search**
USPC D12/192, 415, 114, 345, 195; D15/17, D15/28
CPC B60H 1/34; B60H 1/3407; B60H 1/3414; B60H 1/3421; B60H 1/3428; B60H 1/3435; B60H 1/3442; B60H 1/345; B60H 1/3457; B60R 7/01; B60R 7/02; B60R 7/04
See application file for complete search history.

8,641,120 B2 *	2/2014	Zimmerman	B60R 7/04	296/24.34
D721,996 S *	2/2015	Farcas	D12/192	
D721,997 S *	2/2015	Hedge	D12/192	
D727,231 S *	4/2015	Narita	D12/192	
D727,816 S *	4/2015	Takagi	D12/192	
D786,758 S *	5/2017	Chang	D12/192	
D788,666 S *	6/2017	Yamamoto	D12/192	
D793,313 S *	8/2017	Zimmermann et al.			
D803,120 S *	11/2017	Boas	D12/192	
D808,873 S *	1/2018	Joyce	D12/192	
D809,443 S *	2/2018	Walker	D12/192	
D824,306 S *	7/2018	Joyce	D12/192	
D826,813 S *	8/2018	Carr	D12/192	
D828,259 S *	9/2018	Takagi	D12/192	
D835,567 S *	12/2018	Gaudreau	D12/415	
D844,515 S *	4/2019	Webber	D12/192	
D847,054 S *	4/2019	Yamada	D12/192	
D847,055 S *	4/2019	De Vienne	D12/192	
D864,066 S *	10/2019	Ray	D12/192	
D877,042 S *	3/2020	Ray	D12/415	

(Continued)

Primary Examiner — Susan E Krakower
Assistant Examiner — Jerry Shiuan-Hua Hsu
(74) *Attorney, Agent, or Firm* — Ralph E. Smith

(57) **CLAIM**

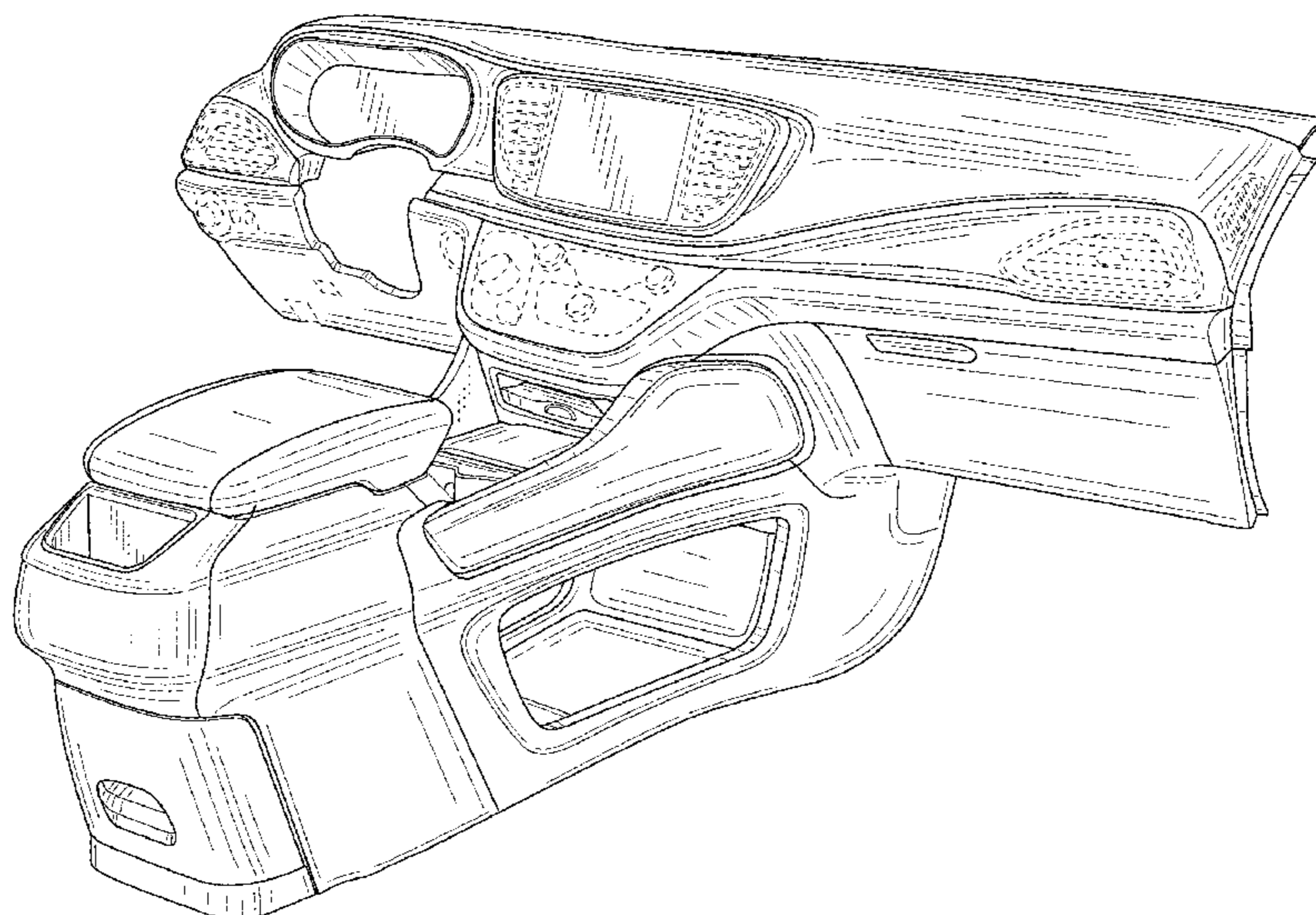
The ornamental design for an automobile interior, as shown and described.

DESCRIPTION

FIG. 1 is a left, top, front perspective view of an automobile interior showing our new design;
FIG. 2 is a right, top, front perspective view thereof;
FIG. 3 is a left side view thereof;
FIG. 4 is a right side view thereof;
FIG. 5 is a top view thereof; and,
FIG. 6 is a front view thereof.
The broken lines illustrate portions of the automobile interior that form no part of the claimed design.

1 Claim, 6 Drawing Sheets

- (56) **References Cited**
U.S. PATENT DOCUMENTS
D539,714 S * 4/2007 Toyama D12/192
D641,674 S 7/2011 Kim et al.
D641,675 S 7/2011 Kim et al.
8,556,320 B2 * 10/2013 Yamagishi B60R 7/04
296/24.34
D693,750 S * 11/2013 Cheung D12/192



(56)

References Cited

U.S. PATENT DOCUMENTS

D887,954 S * 6/2020 Xu D12/415
D889,340 S * 7/2020 Lun D12/192

* cited by examiner

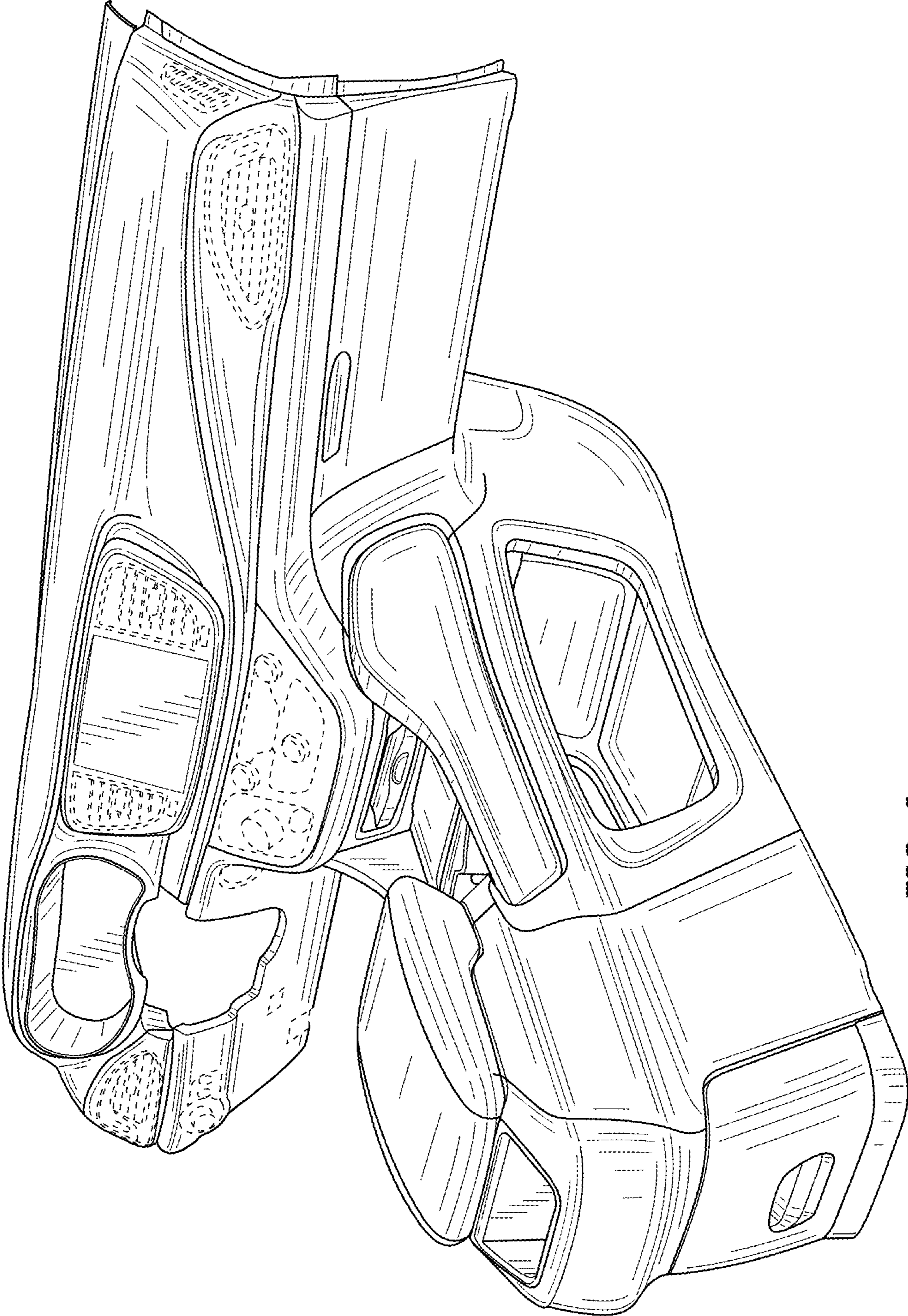


FIG. 1

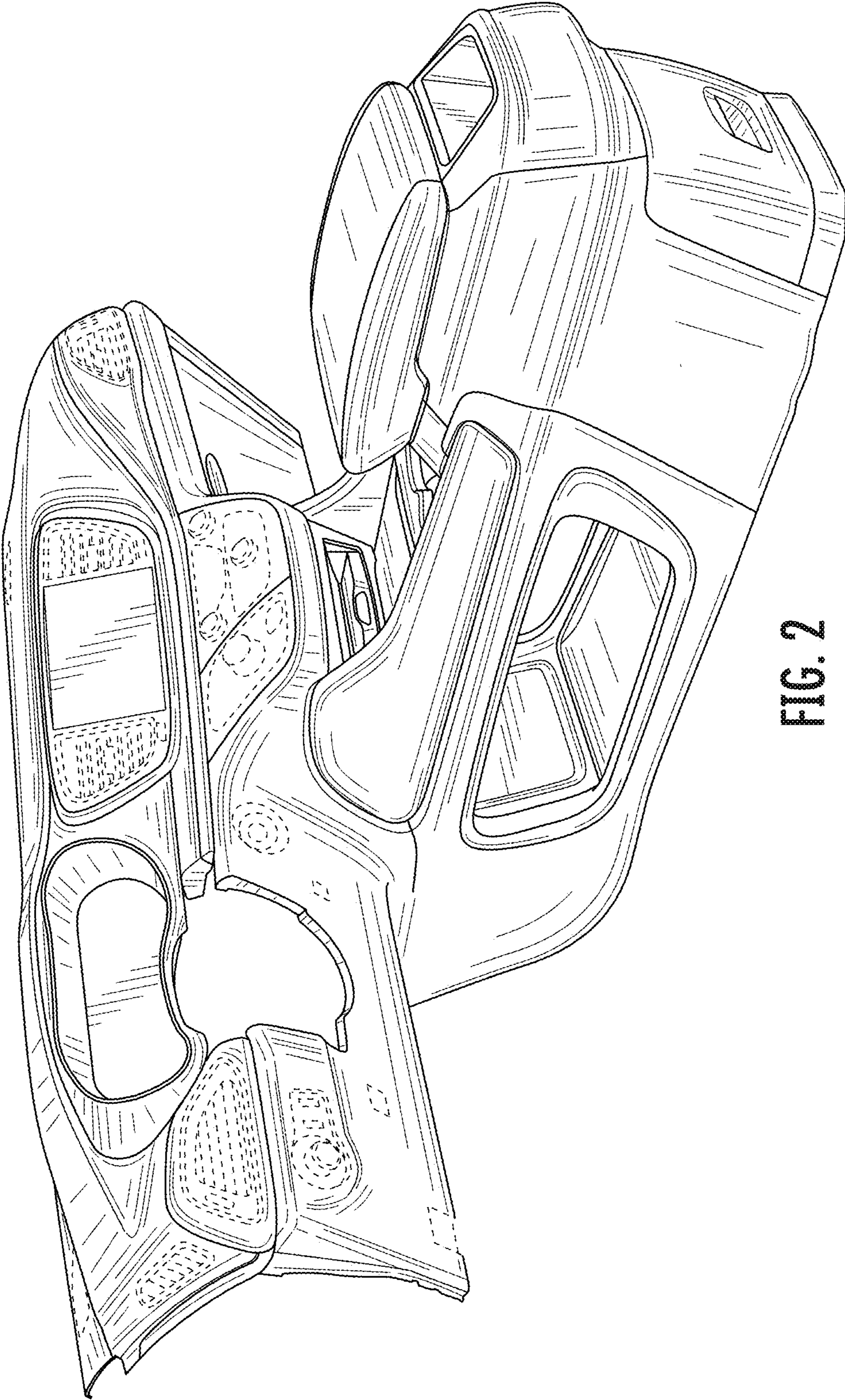


FIG. 2

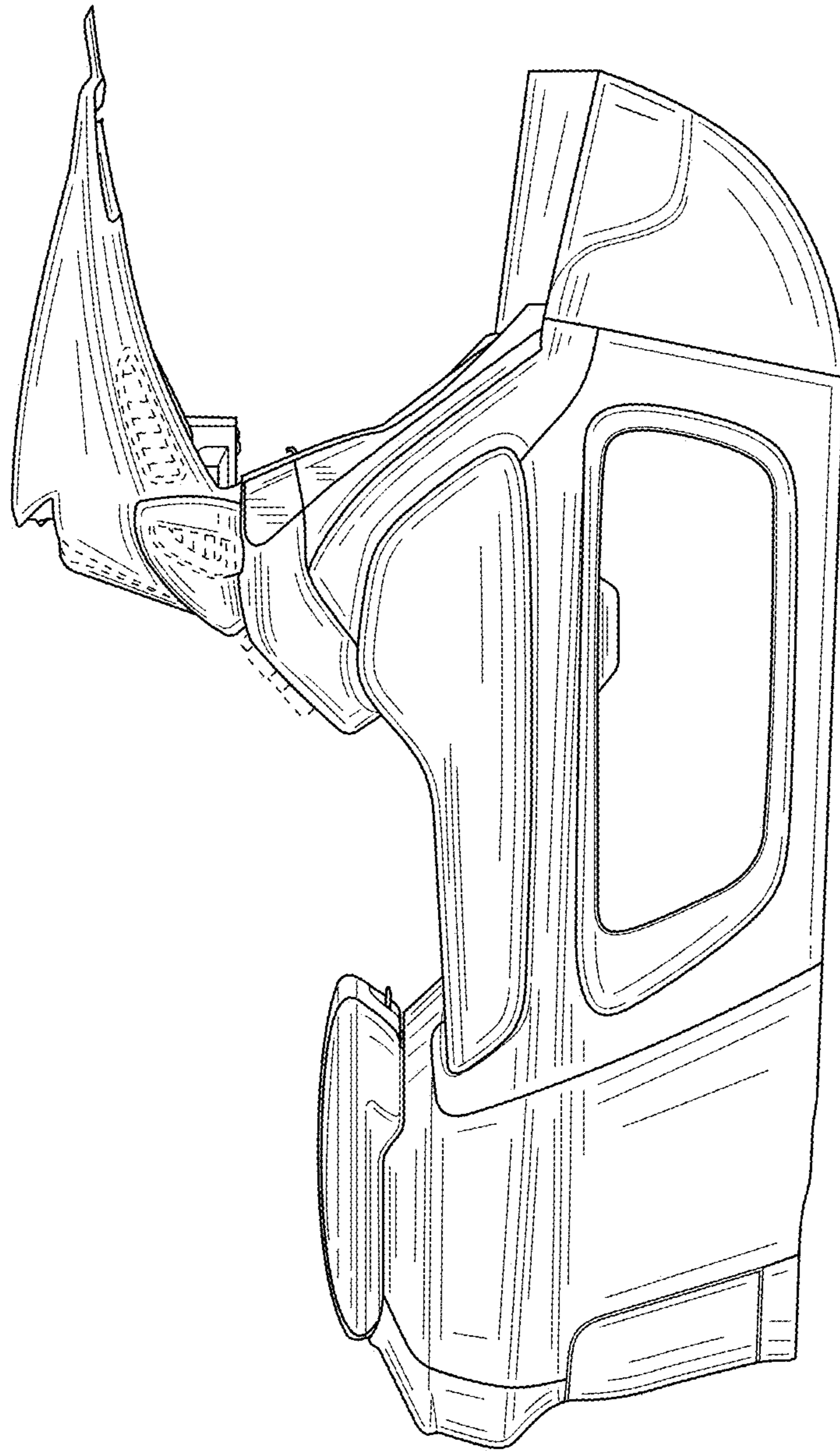


FIG. 3

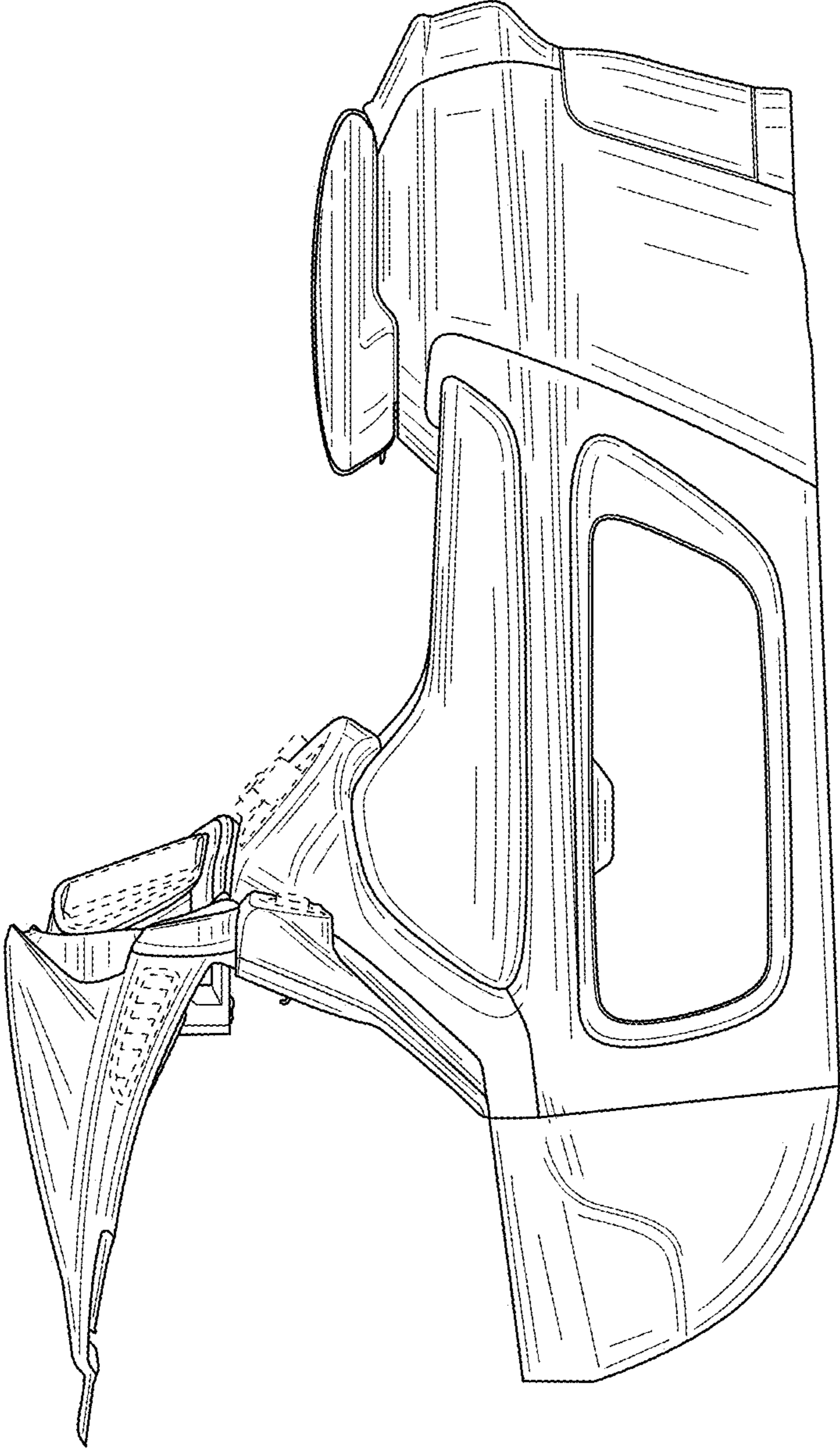


FIG. 4

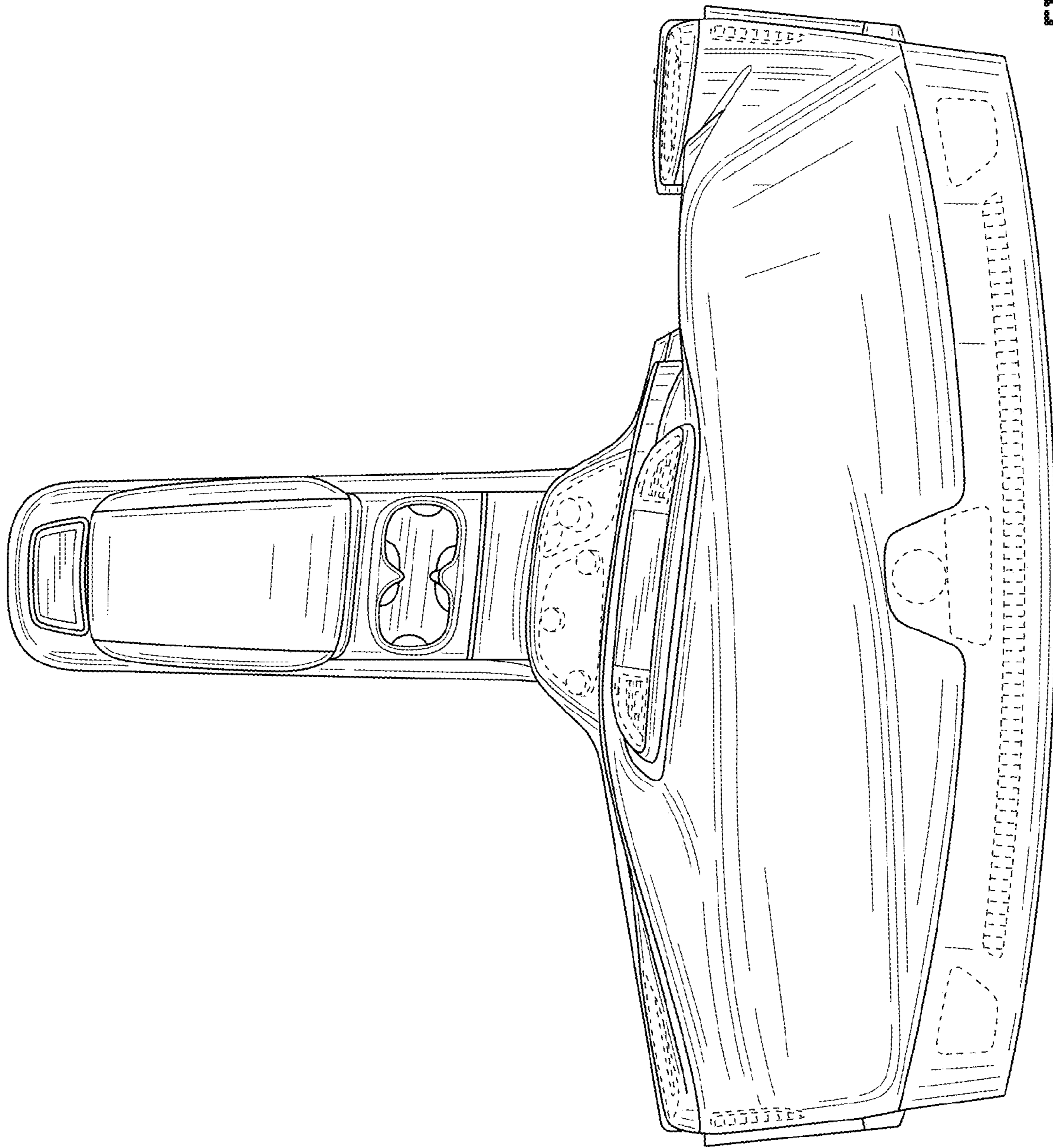


FIG. 5

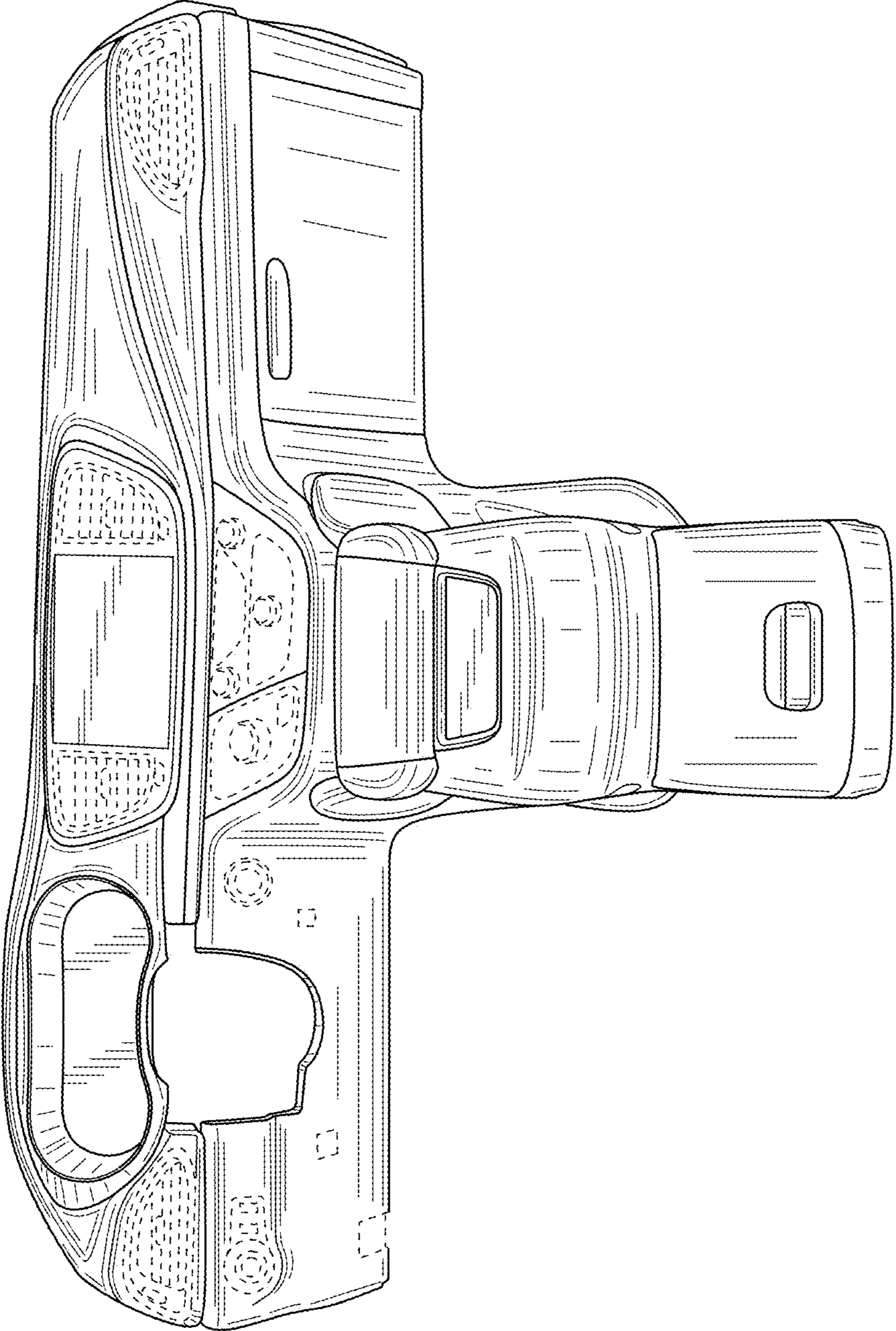


FIG. 6