



US00D958715S

(12) **United States Design Patent** (10) **Patent No.:** **US D958,715 S**
Langhals et al. (45) **Date of Patent:** **** Jul. 26, 2022**

(54) **HEADLAMP SURROUND TRIM**

(56) **References Cited**

(71) Applicants: **Taylor A. Langhals**, Waterford, MI (US); **Tome Jovanoski**, Shelby Township, MI (US); **Timothy W. Anness**, Rochester Hills, MI (US)

(72) Inventors: **Taylor A. Langhals**, Waterford, MI (US); **Tome Jovanoski**, Shelby Township, MI (US); **Timothy W. Anness**, Rochester Hills, MI (US)

(73) Assignee: **FCA US LLC**, Auburn Hills, MI (US)

(**) Term: **15 Years**

(21) Appl. No.: **29/815,275**

(22) Filed: **Nov. 12, 2021**

U.S. PATENT DOCUMENTS

D854,475 S *	7/2019	Grand	D12/190
D865,601 S *	11/2019	Goodrich	D12/190
D865,602 S *	11/2019	Goodrich	D12/190
D867,250 S *	11/2019	Goodrich	D12/190
D873,190 S *	1/2020	Battams	D12/190
D873,192 S *	1/2020	Smith	D12/190
D882,472 S *	4/2020	Goodrich	D12/190
D916,635 S *	4/2021	Tomasson	B60R 19/52 D13/154
D916,636 S *	4/2021	Grand	D12/190
D937,721 S *	12/2021	Zou	D12/190
D937,722 S *	12/2021	Wu	B60R 13/04 D12/190

* cited by examiner

Primary Examiner — Katrina A Betton

(74) *Attorney, Agent, or Firm* — Ralph E Smith

(57) **CLAIM**

The ornamental design for a headlamp surround trim, as shown and described.

DESCRIPTION

FIG. 1 is a front perspective view of a headlamp surround trim showing our new design; FIG. 2 is a front view thereof; FIG. 3 is a rear view thereof; FIG. 4 is a side view thereof; FIG. 5 is a top view thereof; and, FIG. 6 is a bottom view thereof.

It will be understood that the broken lines shown in the drawings illustrate portions of the headlamp surround trim that form no part of the claimed design.

1 Claim, 6 Drawing Sheets

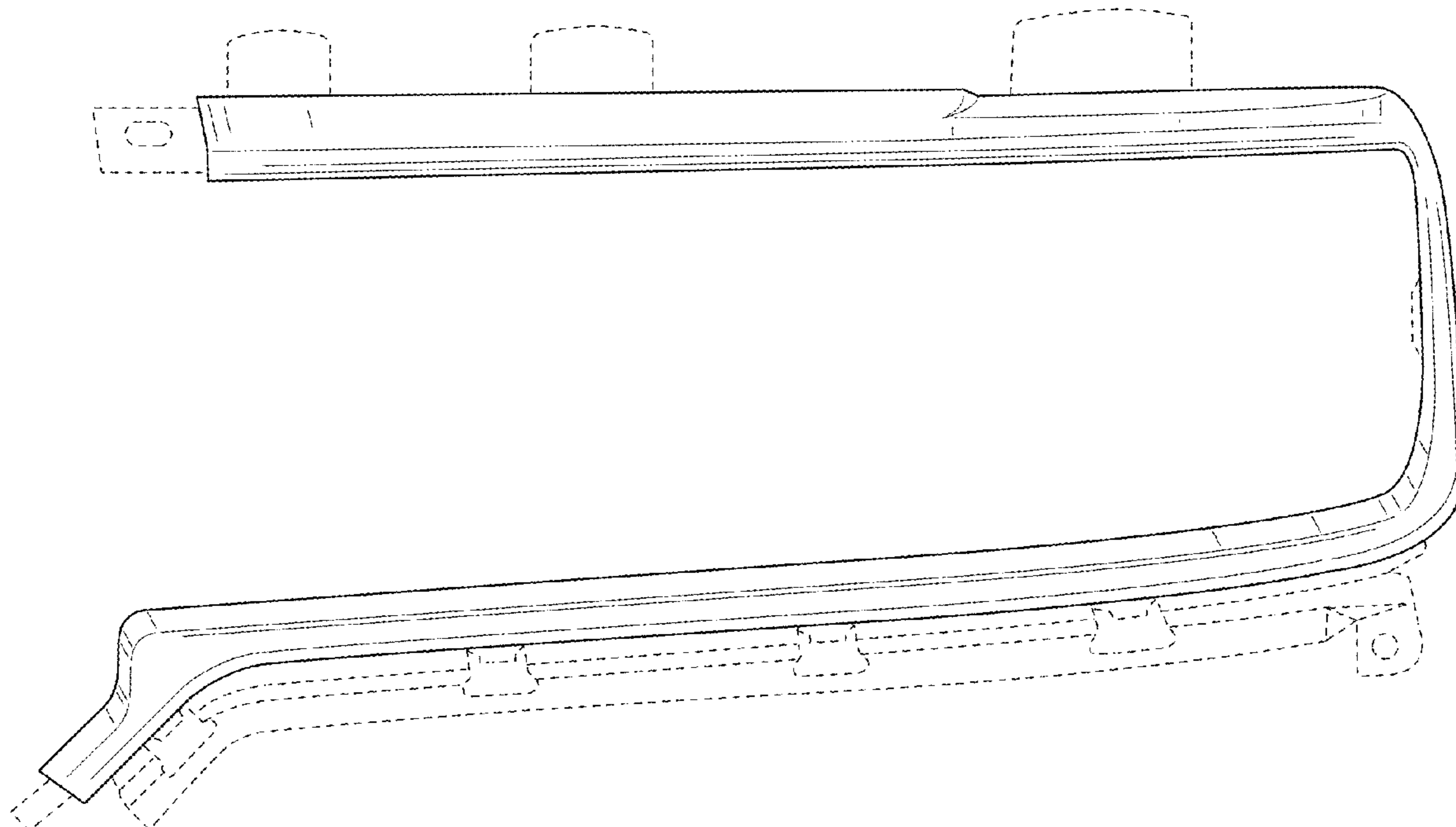
Related U.S. Application Data

(63) Continuation-in-part of application No. 29/727,311, filed on Mar. 10, 2020, now Pat. No. Des. 935,939, and a continuation-in-part of application No. 29/727,316, filed on Mar. 10, 2020, now Pat. No. Des. 935,940.

(51) **LOC (13) Cl.** **12-16**

(52) **U.S. Cl.**
USPC **D12/190**

(58) **Field of Classification Search**
USPC D12/190, 181, 192, 400, 90, 91, 92, D12/196-200, 171, 172, 163, 110, 114
CPC B60S 9/205; B60R 13/005; B60R 13/02
See application file for complete search history.



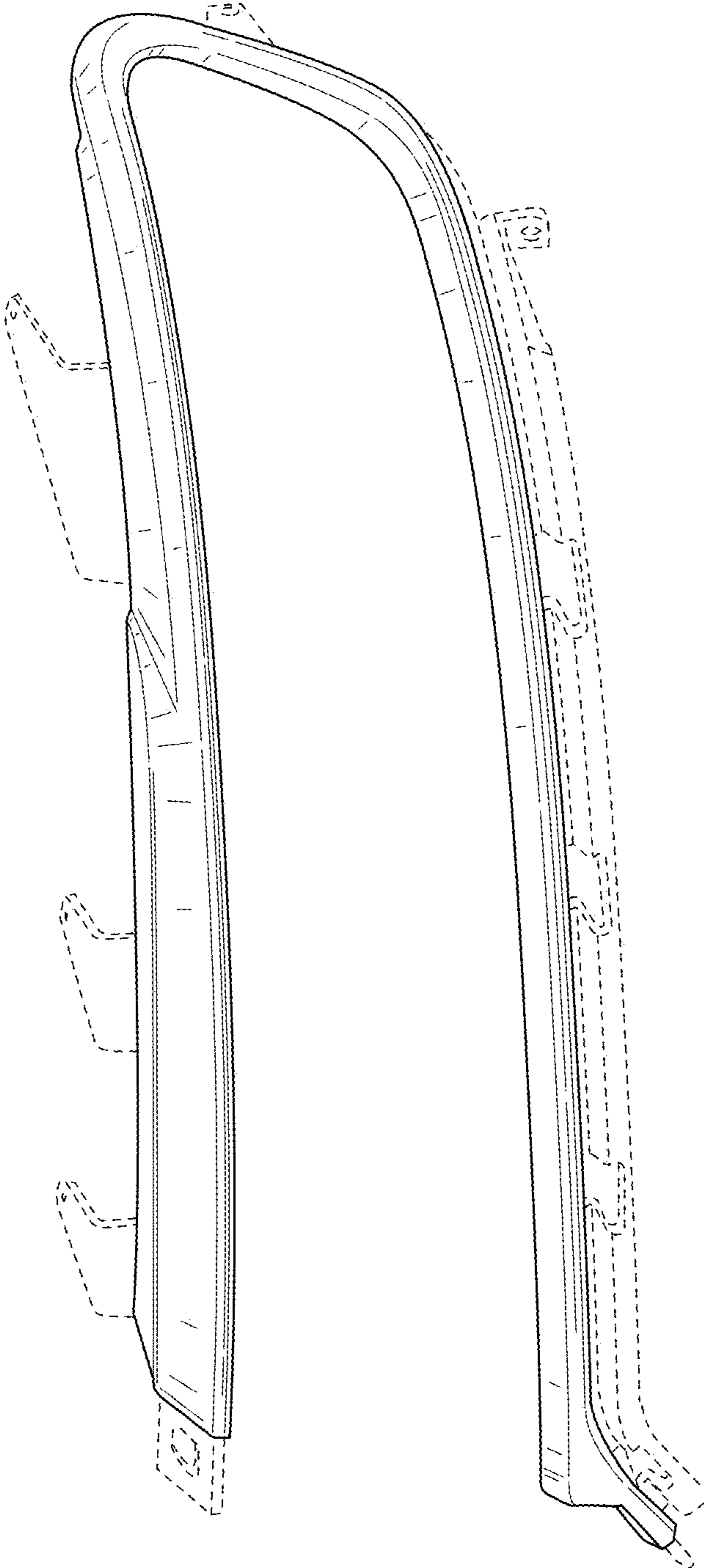


FIG. 1

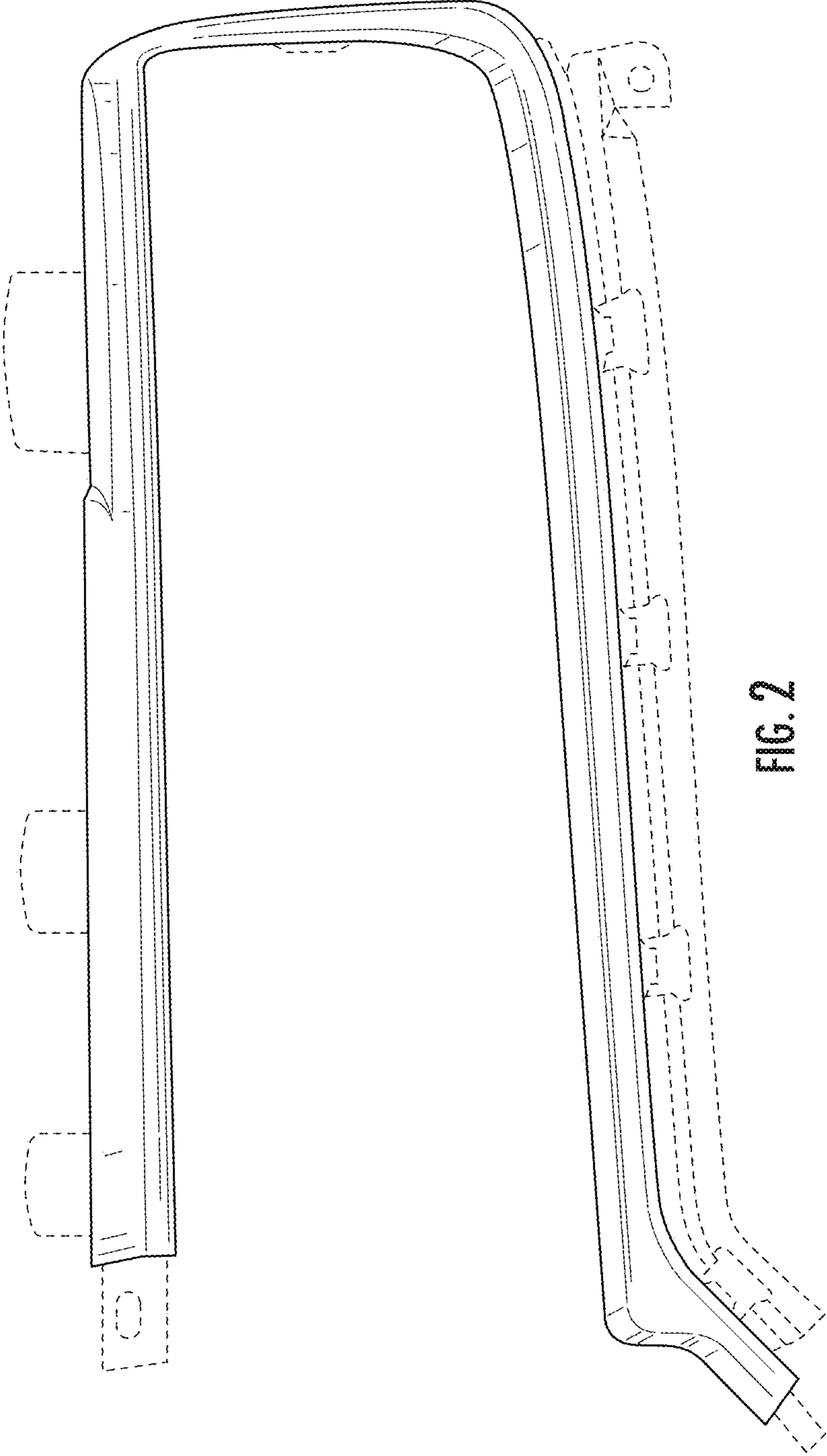


FIG. 2

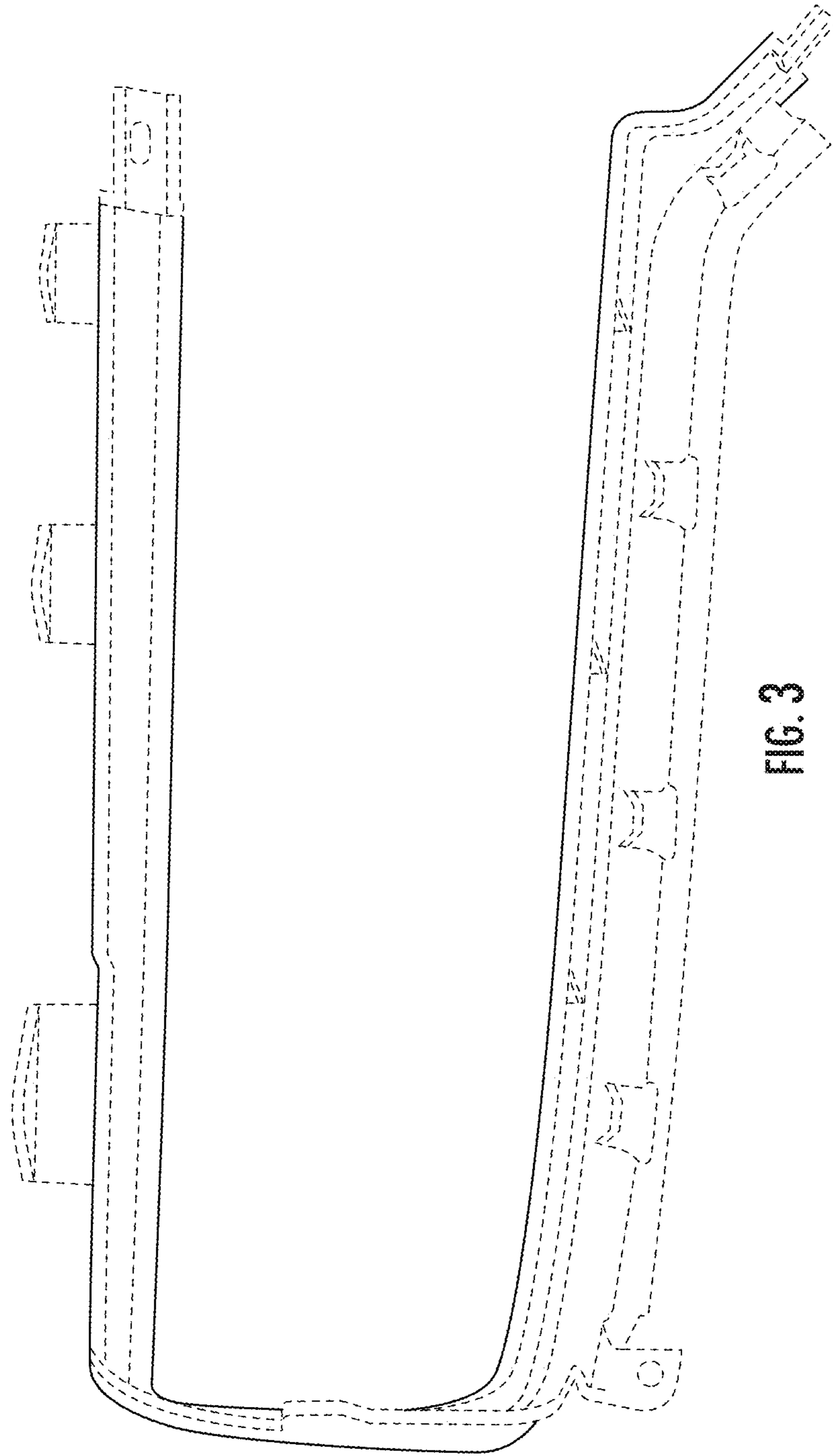


FIG. 3

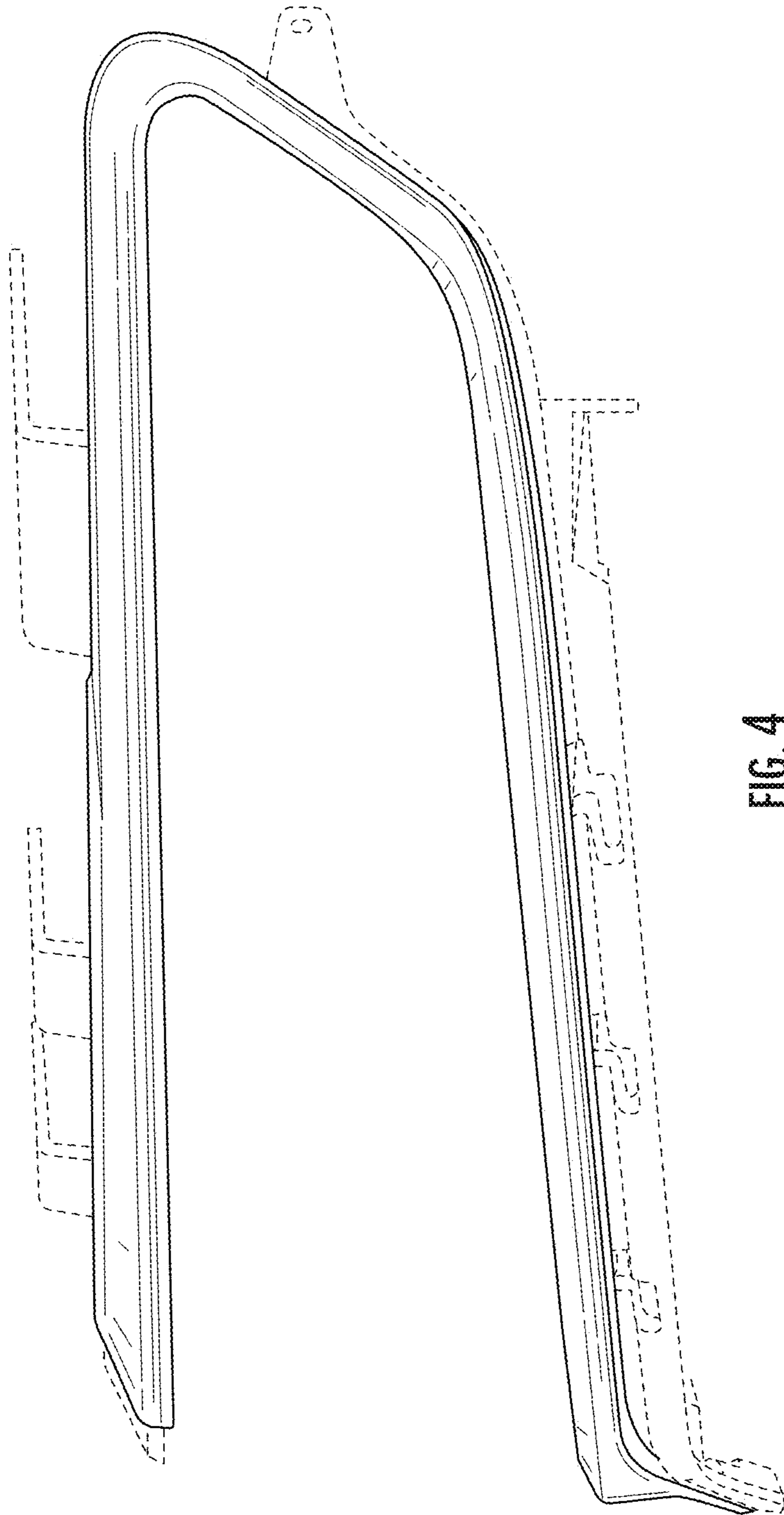


FIG. 4

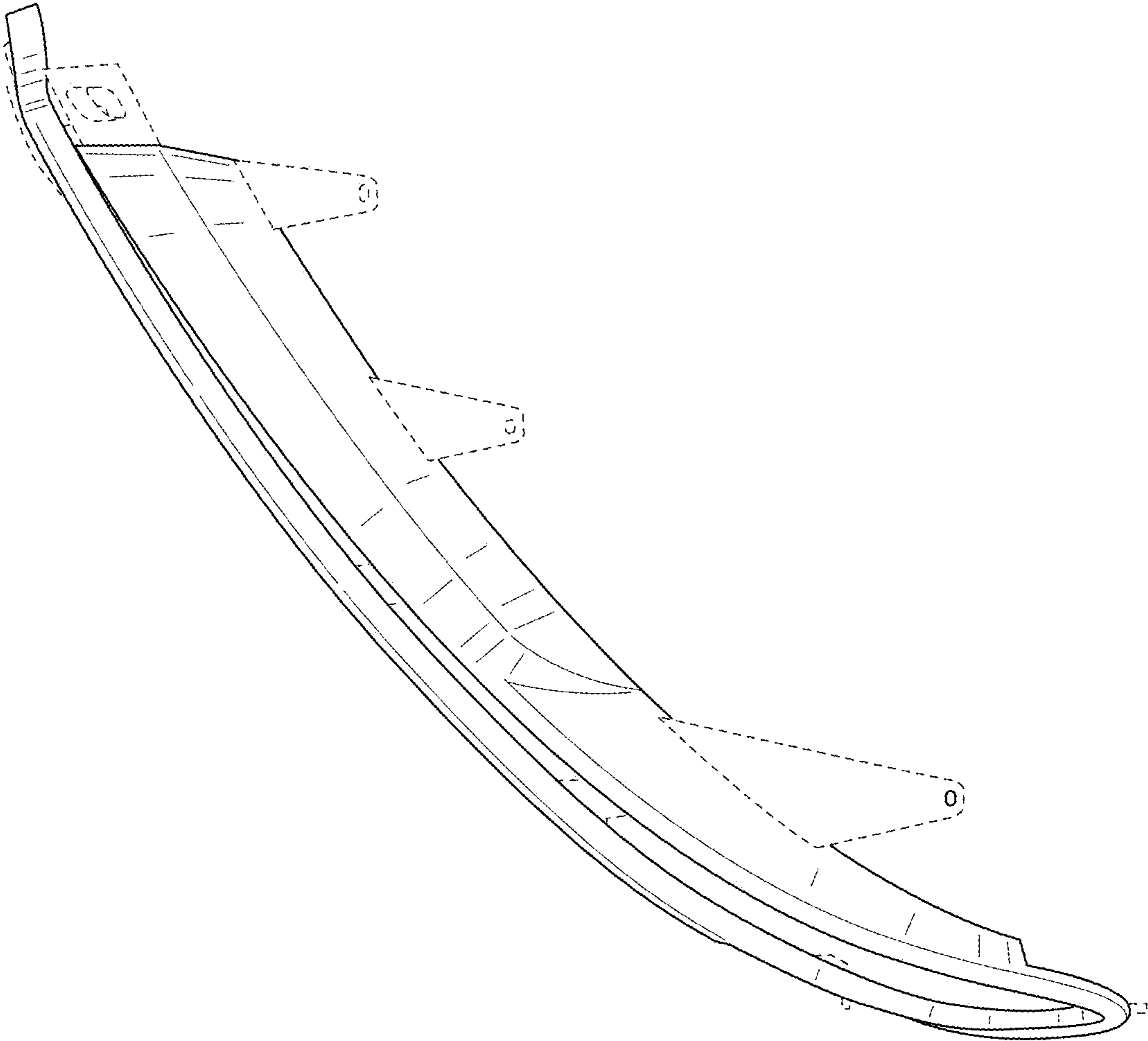


FIG. 5

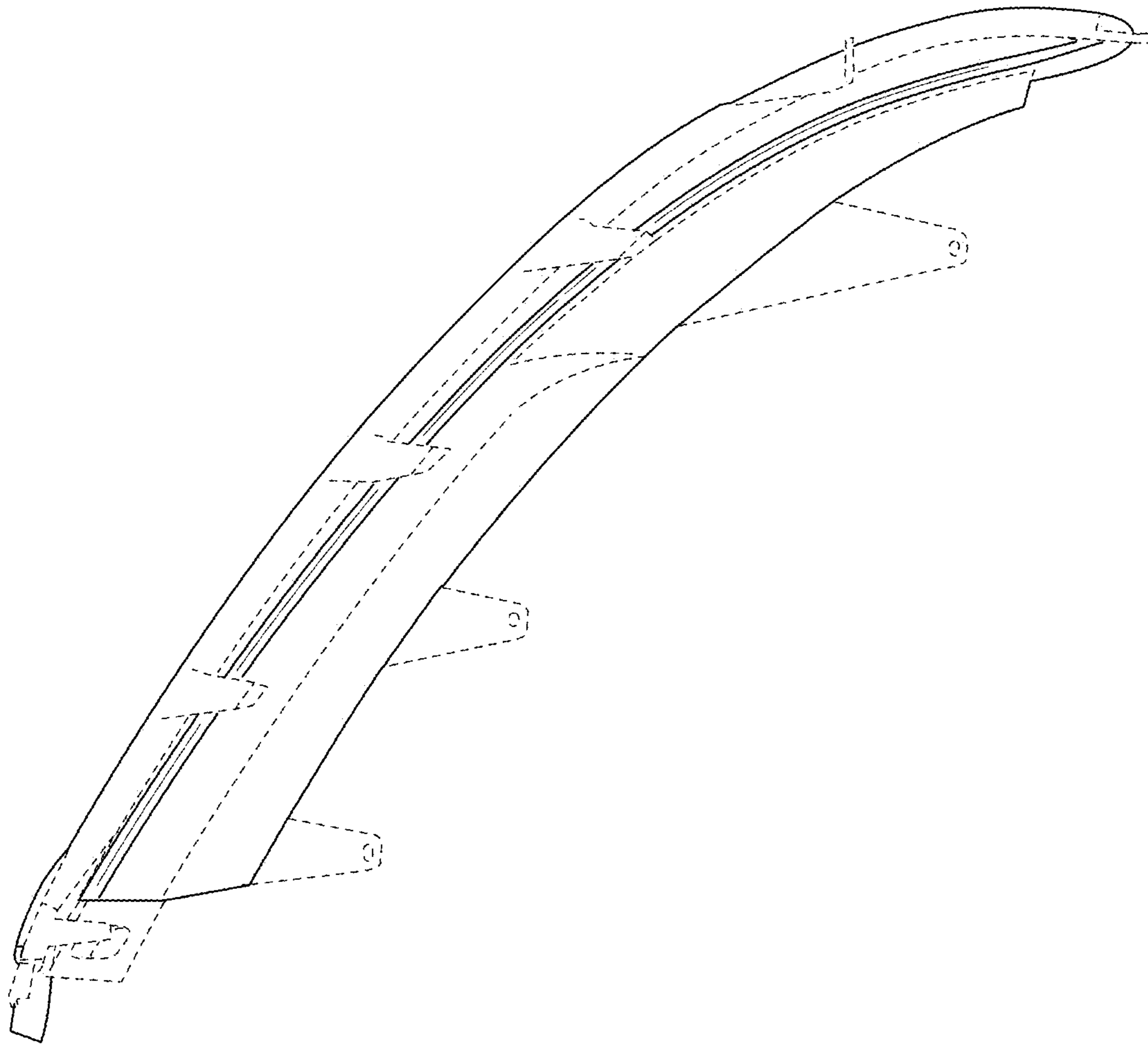


FIG. 6