



US00D958713S

(12) **United States Design Patent** (10) **Patent No.:** **US D958,713 S**
Langhals et al. (45) **Date of Patent:** **** Jul. 26, 2022**

- (54) **GRILLE SURROUND (UPPER)**
- (71) Applicants: **Taylor A. Langhals**, Waterford, MI (US); **Tome Jovanoski**, Shelby Township, MI (US); **Timothy W. Anness**, Rochester Hills, MI (US)
- (72) Inventors: **Taylor A. Langhals**, Waterford, MI (US); **Tome Jovanoski**, Shelby Township, MI (US); **Timothy W. Anness**, Rochester Hills, MI (US)
- (73) Assignee: **FCA US LLC**, Auburn Hills, MI (US)
- (**) Term: **15 Years**
- (21) Appl. No.: **29/815,267**
- (22) Filed: **Nov. 12, 2021**

Related U.S. Application Data

- (63) Continuation-in-part of application No. 29/727,311, filed on Mar. 10, 2020, now Pat. No. Des. 935,939, and a continuation-in-part of application No. 29/727,316, filed on Mar. 10, 2020, now Pat. No. Des. 935,940.
- (51) **LOC (13) Cl.** **12-16**
- (52) **U.S. Cl.**
USPC **D12/190**
- (58) **Field of Classification Search**
USPC D12/190, 181, 192, 400, 90, 91, 92, D12/196-200, 171, 172, 163, 110, 114
CPC B60S 9/205; B60R 13/005; B60R 13/02
See application file for complete search history.

- (56) **References Cited**
U.S. PATENT DOCUMENTS

D660,754 S *	5/2012	Nakamuta	D12/190
D785,525 S *	5/2017	Nurnberger	D12/190
D790,419 S *	6/2017	Minami	D12/190
D883,880 S *	5/2020	Arai	D12/190
D885,261 S *	5/2020	Zipfel	D12/163
D923,525 S *	6/2021	Piaskowski	D12/163
D923,527 S *	6/2021	Piaskowski	D12/163
11,046,257 B1 *	6/2021	Fattouche	B60R 19/52
D931,173 S *	9/2021	Fujikawa	D12/190
D932,967 S *	10/2021	Ray	D12/190
D933,545 S *	10/2021	Piaskowski	D12/163
D942,911 S *	2/2022	Schell	D12/190
2009/0085361 A1 *	4/2009	Rosen	B60R 13/04 293/120

* cited by examiner

Primary Examiner — Katrina A Betton
(74) *Attorney, Agent, or Firm* — Ralph E. Smith

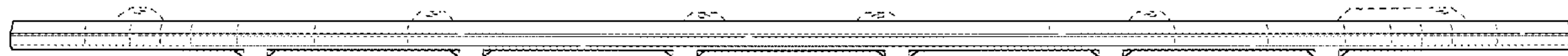
(57) **CLAIM**

The ornamental design for a grille surround (upper), as shown and described.

DESCRIPTION

FIG. 1 is a front perspective view of a grille surround (upper) showing our new design;
FIG. 2 is a front view thereof;
FIG. 3 is a rear view thereof;
FIG. 4 is a side view thereof;
FIG. 5 is an opposite side view thereof;
FIG. 6 is a top view thereof; and,
FIG. 7 is a bottom view thereof.
It will be understood that the broken lines shown in the drawings illustrate portions of the grille surround (upper) that form no part of the claimed design.

1 Claim, 4 Drawing Sheets



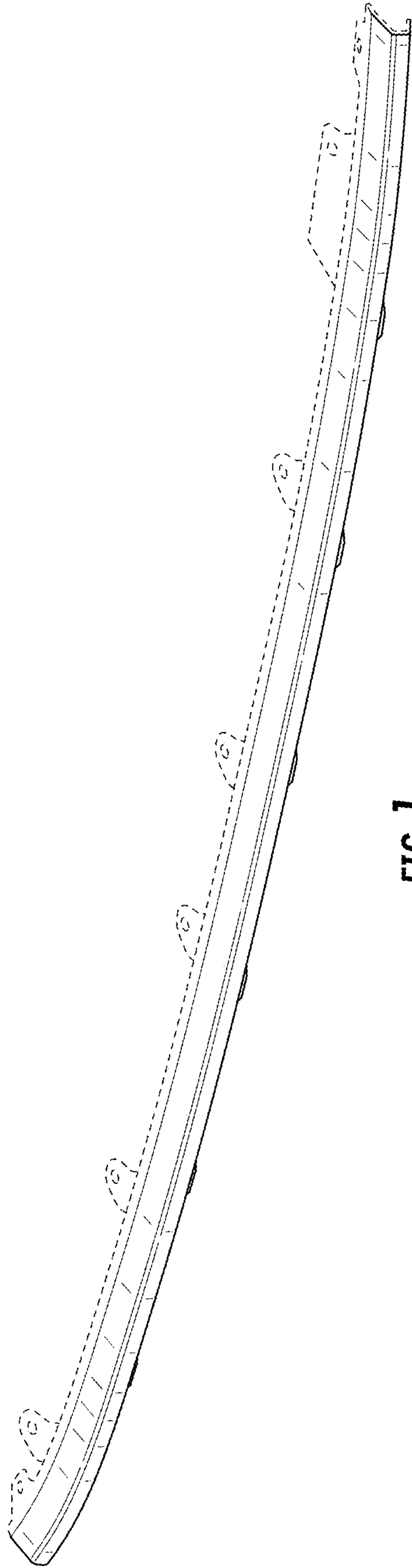


FIG. 1

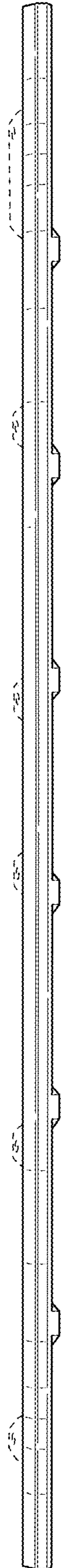


FIG. 2

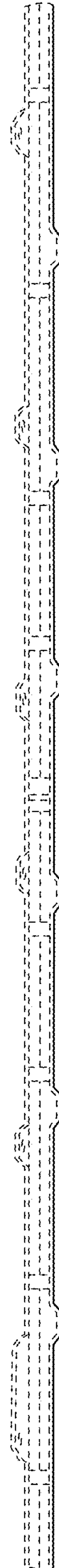


FIG. 3

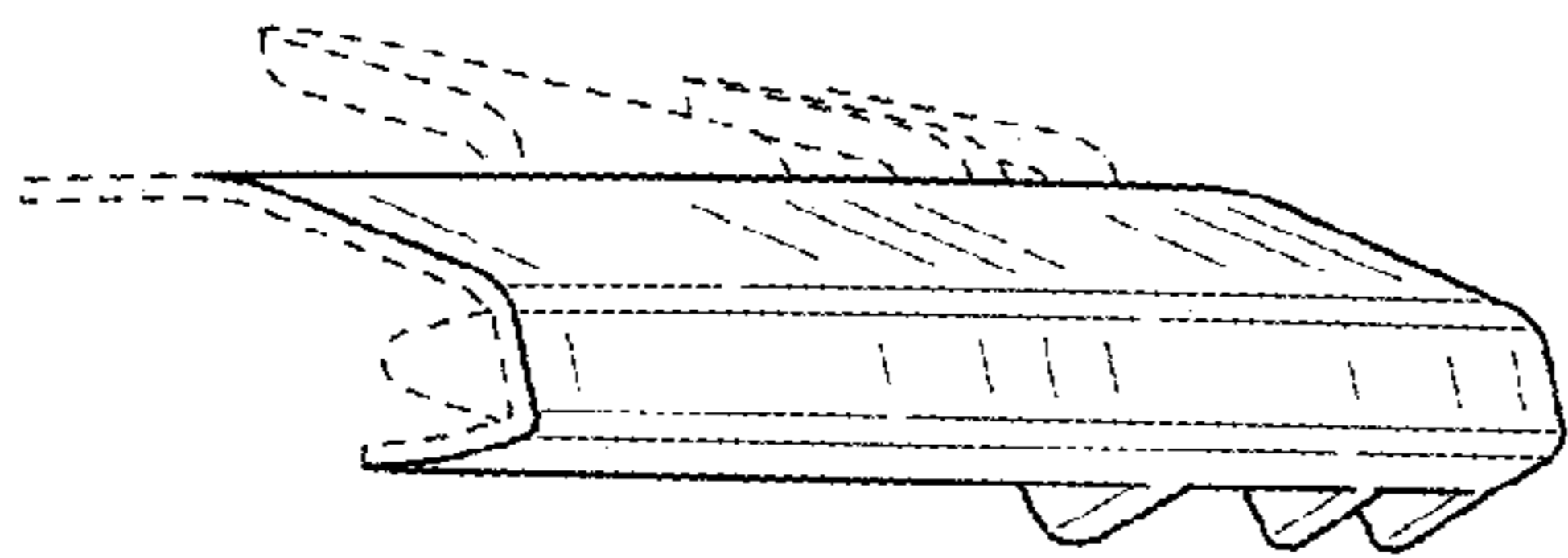


FIG. 4

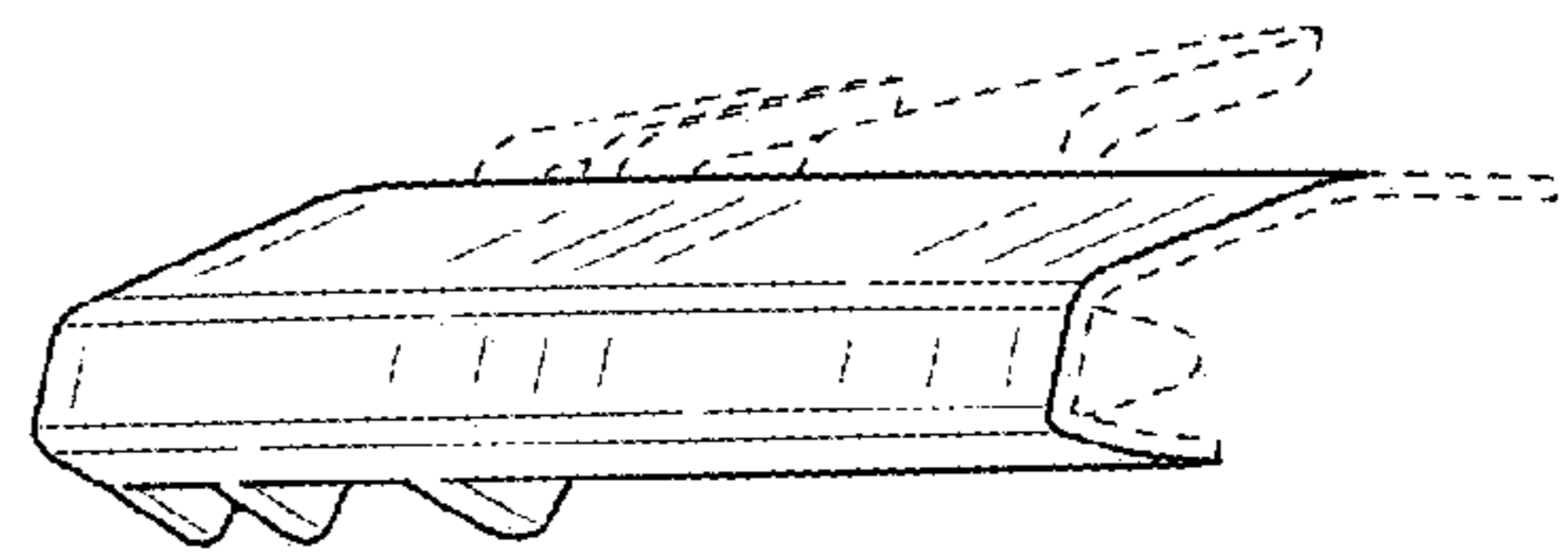


FIG. 5

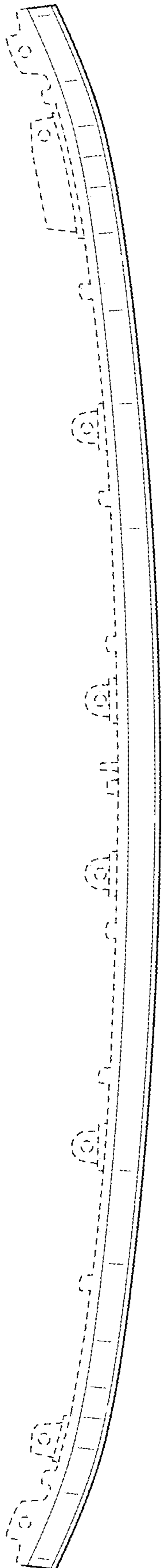


FIG. 6

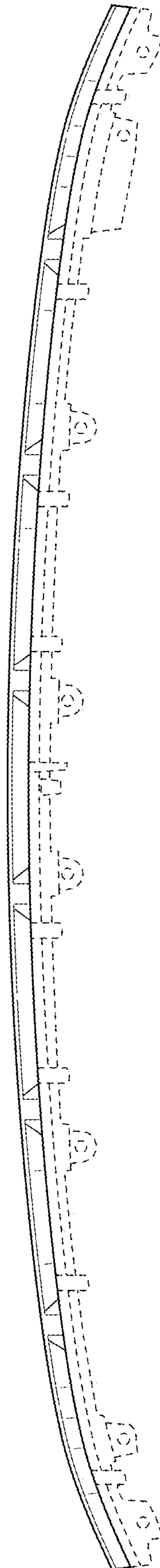


FIG. 7