



US00D958711S

(12) **United States Design Patent**
Chang et al.

(10) **Patent No.:** **US D958,711 S**
(45) **Date of Patent:** **** Jul. 26, 2022**

(54) **AUTOMOBILE REARVIEW MIRROR**
(71) Applicant: **ABILITY OPTO-ELECTRONICS TECHNOLOGY CO.LTD.**, Taichung (TW)

D478,537 S * 8/2003 Ono D12/187
D493,131 S * 7/2004 Lawlor D12/187
D493,394 S * 7/2004 Lawlor D12/187
D746,195 S * 12/2015 Sloterbeek D12/187

(Continued)

(72) Inventors: **Yeong-Ming Chang**, Taichung (TW);
Yi-Chi Cheng, Taichung (TW);
Tzu-Hsuan Wei, Taichung (TW);
Chien-Hsun Lai, Taichung (TW);
Yao-Wei Liu, Taichung (TW)

FOREIGN PATENT DOCUMENTS

TW D189474 4/2018

(73) Assignee: **ABILITY OPTO-ELECTRONICS TECHNOLOGY CO. LTD.**, Taichung (TW)

OTHER PUBLICATIONS

Amazon.com, "Pilot Automotive MI-009 8" 8" Day/Night Mirror" First reviewed Mar. 5, 2015, Retrieved May 30, 2021. (<https://www.amazon.com/Pilot-Automotive-MI-009-Night-Mirror/dp/B00AWY9FLO/>) (Year: 2015).*

(**) Term: **15 Years**

Primary Examiner — Susan E Krakower

Assistant Examiner — Jerry Shiuan-Hua Hsu

(21) Appl. No.: **29/661,610**

(74) *Attorney, Agent, or Firm* — Muncy, Geissler, Olds & Lowe, P.C.

(22) Filed: **Aug. 29, 2018**

(30) **Foreign Application Priority Data**

Aug. 21, 2018 (TW) 107304907

(51) **LOC (13) Cl.** **12-16**

(52) **U.S. Cl.**
USPC **D12/187**

(58) **Field of Classification Search**
USPC D12/187, 188, 189; D6/300, 309; D26/28

CPC B60R 1/006; B60R 1/008; B60R 1/02; B60R 1/025; B60R 1/06; B60R 1/0605; B60R 1/074; B60R 1/076; B60R 1/078; B60R 1/08; B60R 1/081; B60R 1/082; B60R 1/10; B60R 1/04; B60R 1/088; B60R 1/12; A45D 42/18; G02B 5/08; G02B 7/18; G02B 7/182; G02B 7/1824; B24B 9/02; G06T 7/13

See application file for complete search history.

(56) **References Cited**

U.S. PATENT DOCUMENTS

D451,456 S * 12/2001 Santo D12/187
D451,869 S * 12/2001 Knapp D12/187

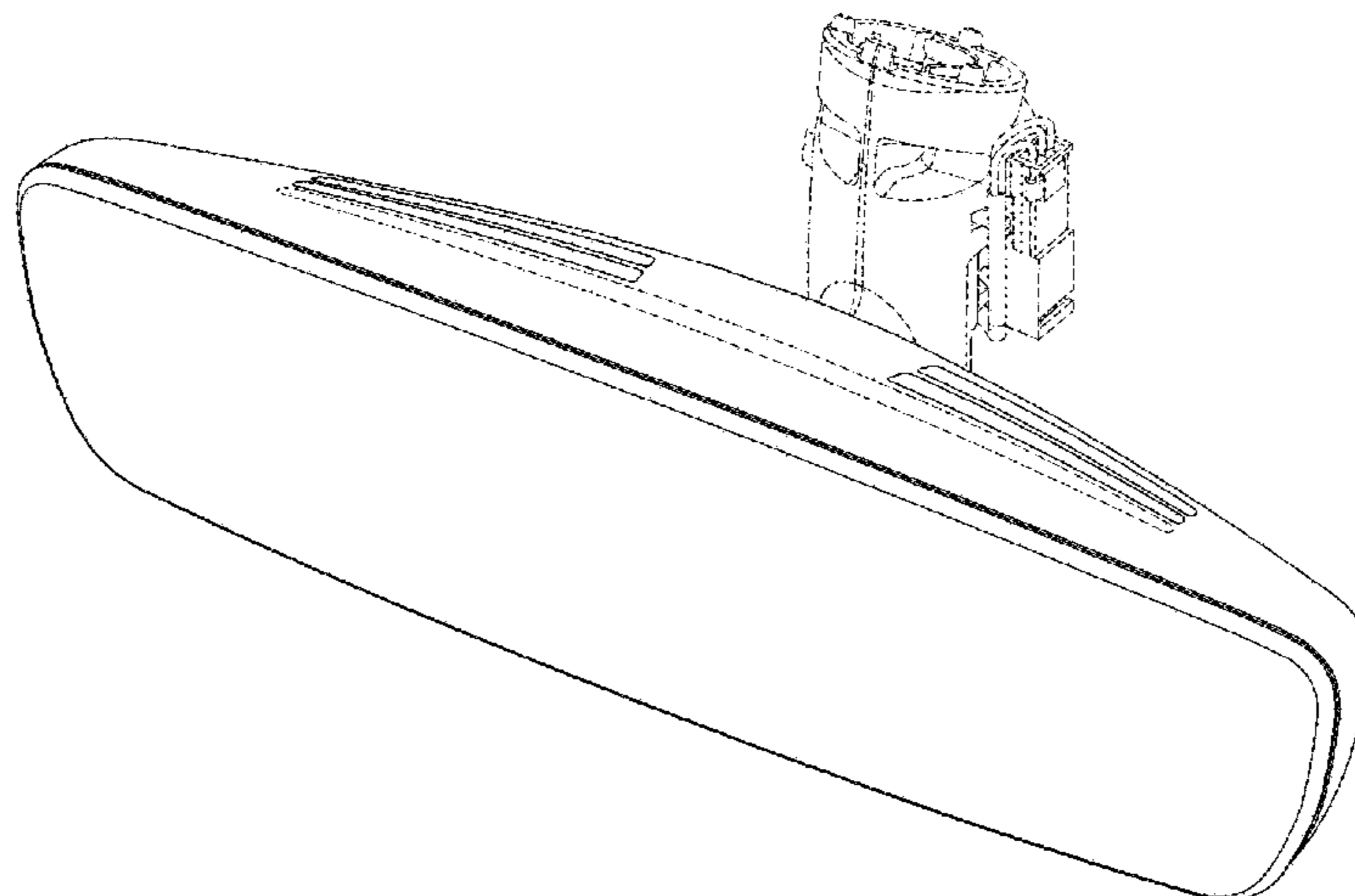
(57) **CLAIM**

The ornamental design for an automobile rearview mirror, as shown and described.

DESCRIPTION

FIG. 1 is a front, top, right side perspective view of automobile rearview mirror, showing our new design; FIG. 2 is a rear, top, left side perspective view thereof; FIG. 3 is a rear, top, right side perspective view thereof; FIG. 4 is a front elevational view thereof; FIG. 5 is a rear elevational view thereof; FIG. 6 is a left side elevational view thereof; FIG. 7 is a right side elevational view thereof; FIG. 8 is a top plan view thereof; and, FIG. 9 is a bottom plan view thereof. The broken lines illustrate portions of the automobile rearview mirror that form no part of the claimed design.

1 Claim, 9 Drawing Sheets



(56)

References Cited

U.S. PATENT DOCUMENTS

D783,479	S *	4/2017	Hamlin	D12/187
D797,626	S *	9/2017	Hamlin	D12/187
D817,238	S *	5/2018	Lock	D12/187
D854,473	S *	7/2019	Hamlin	D12/187
D862,333	S *	10/2019	Song	D12/187
D881,769	S *	4/2020	Hamlin	D12/187
D904,258	S *	12/2020	Pritchard	D12/187
D906,913	S *	1/2021	Chang	D12/187
2012/0038964	A1 *	2/2012	De Wind	B24B 9/02 359/265
2012/0236388	A1 *	9/2012	De Wind	B60R 1/12 359/267
2014/0192431	A1 *	7/2014	Sloterbeek	B60R 1/04 359/871
2018/0056871	A1 *	3/2018	Karner	G06T 7/13

* cited by examiner

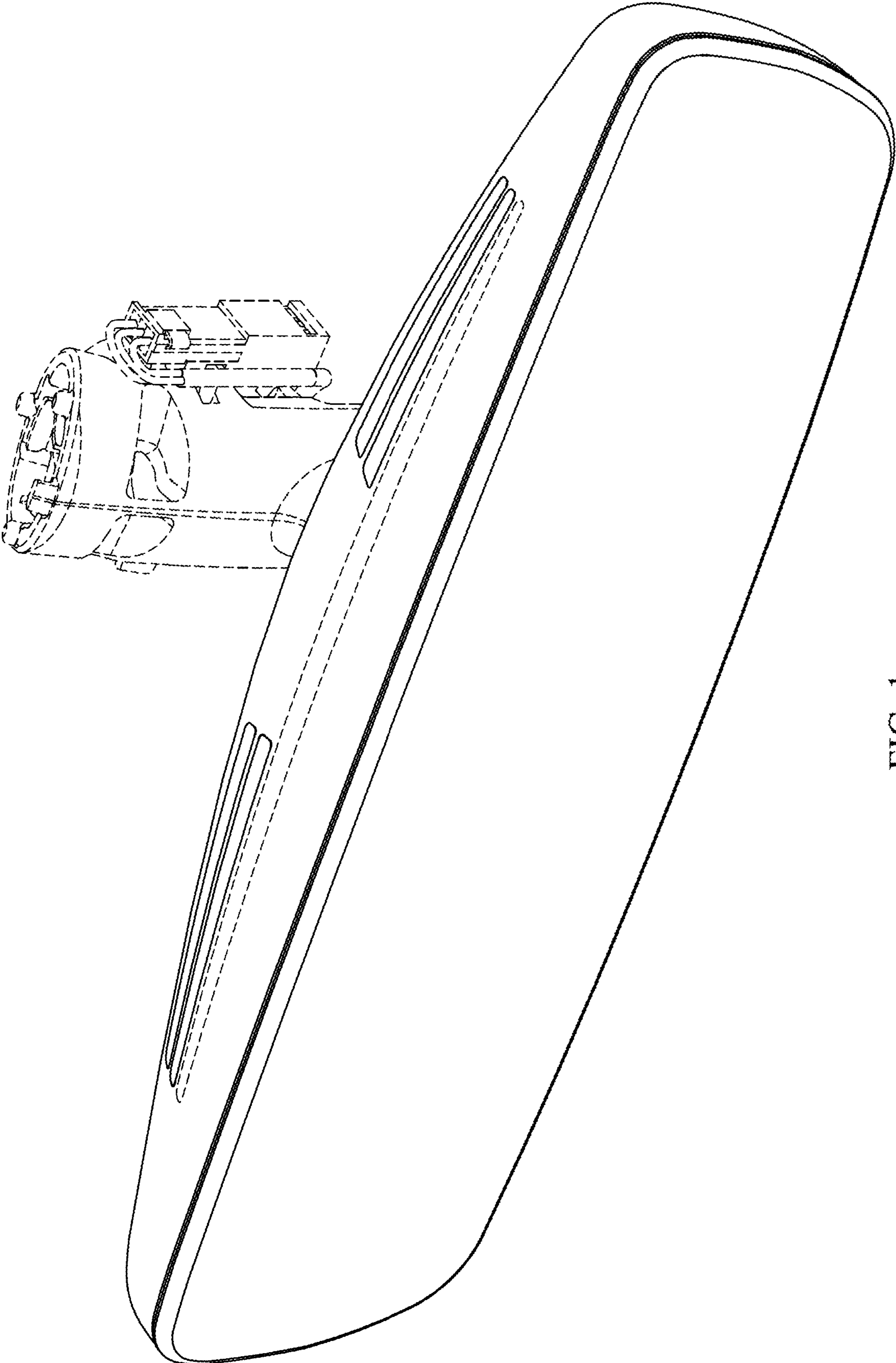


FIG. 1

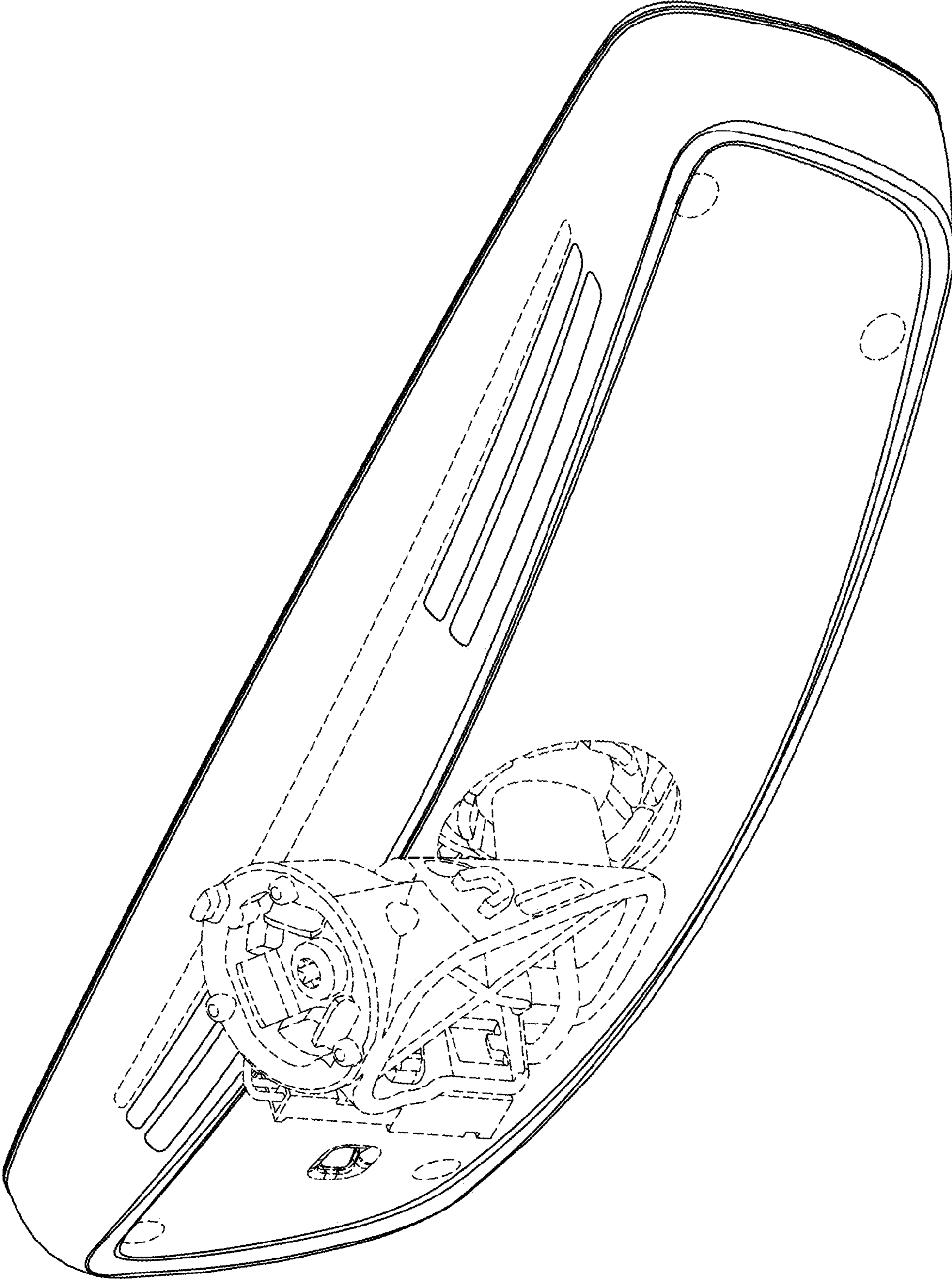


FIG. 2

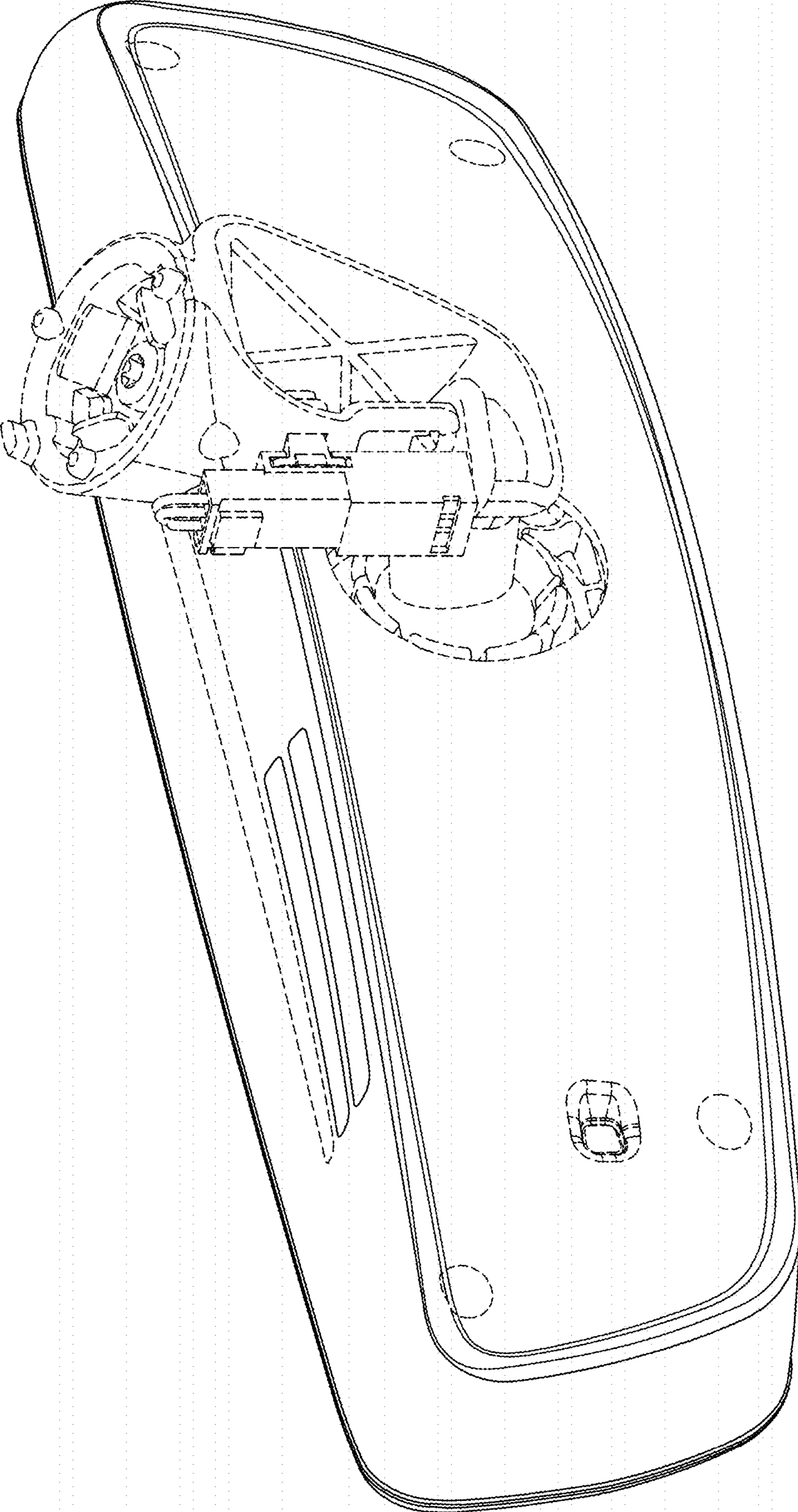


FIG. 3

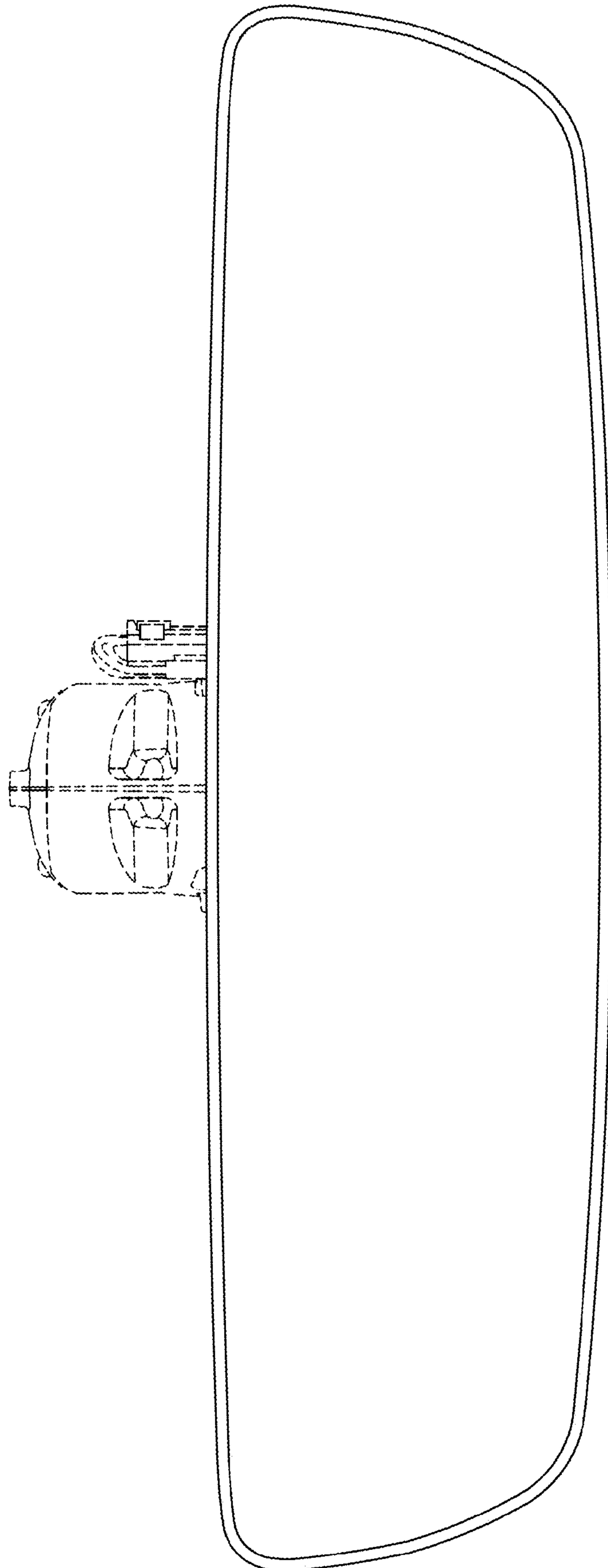


FIG. 4

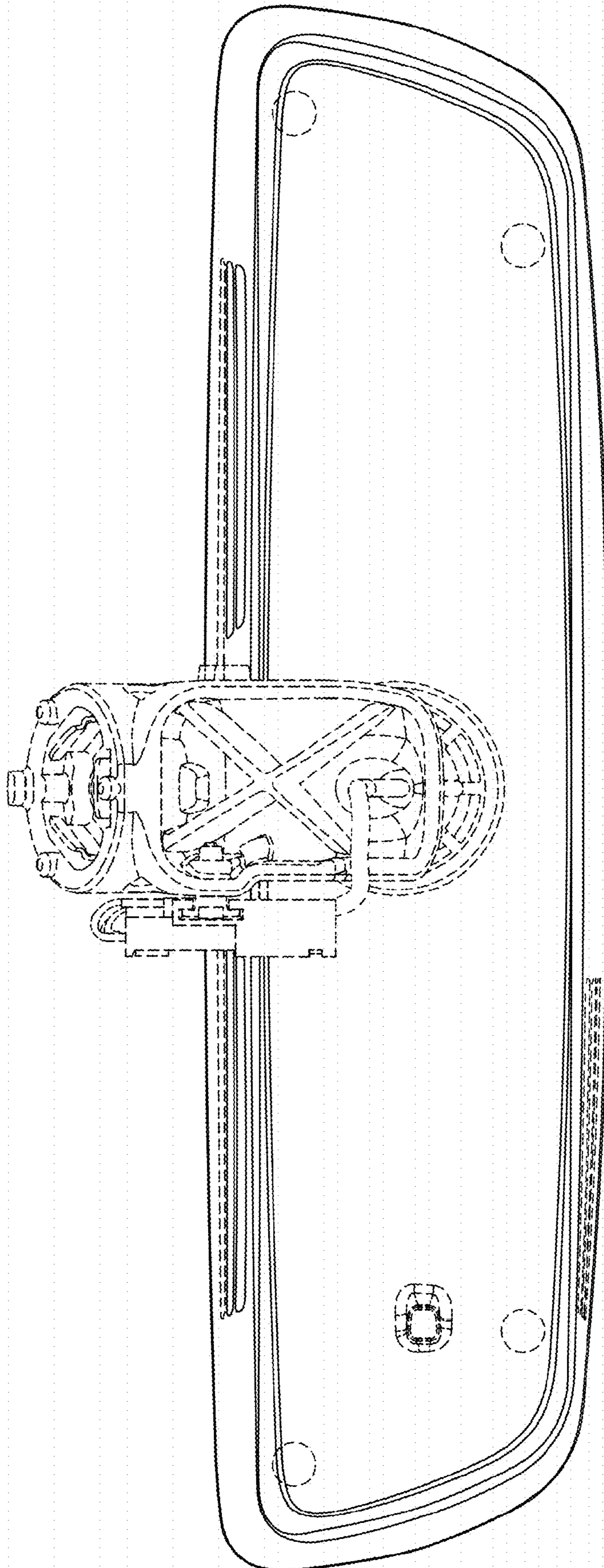


FIG. 5

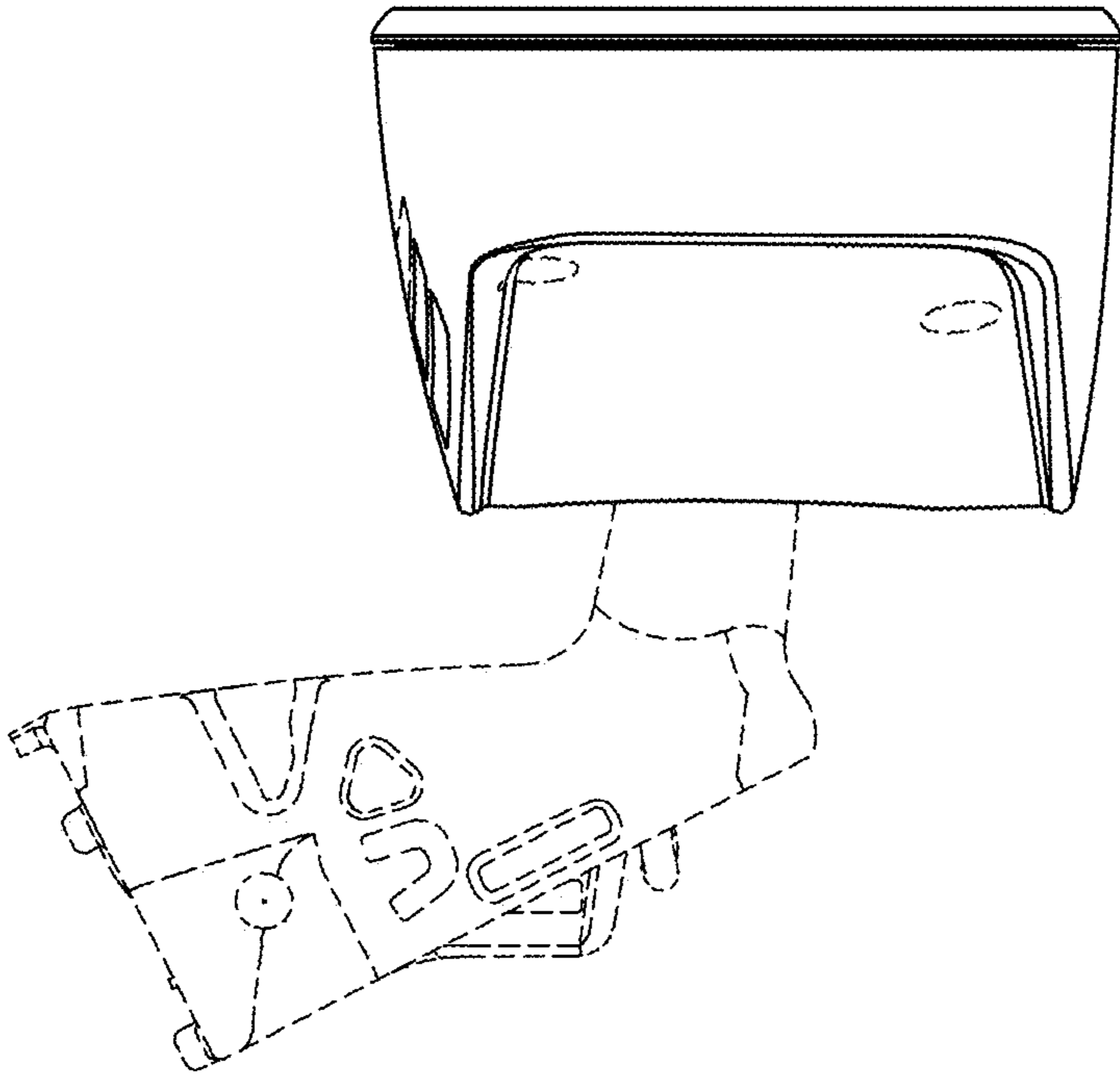


FIG. 6

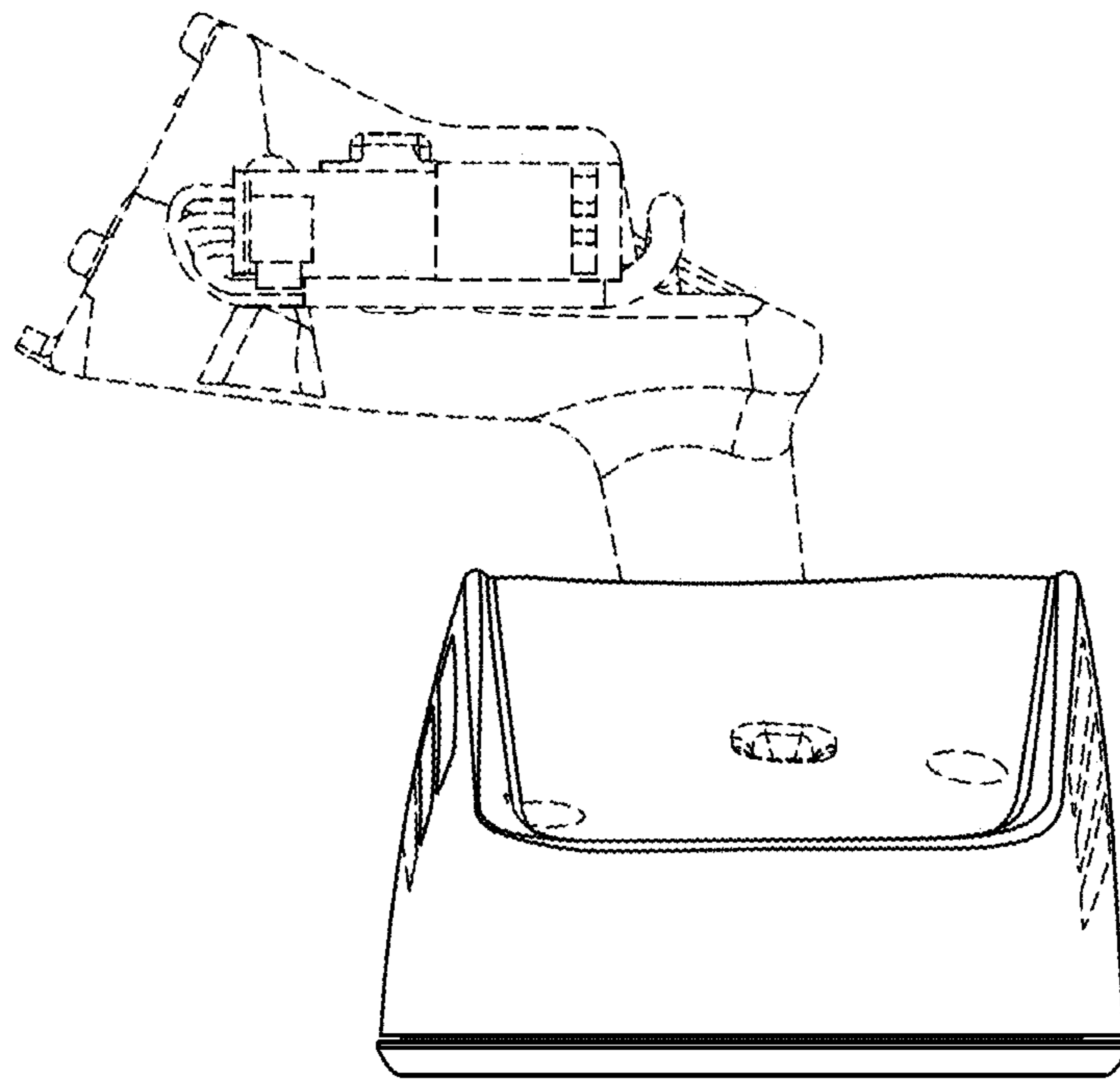


FIG. 7

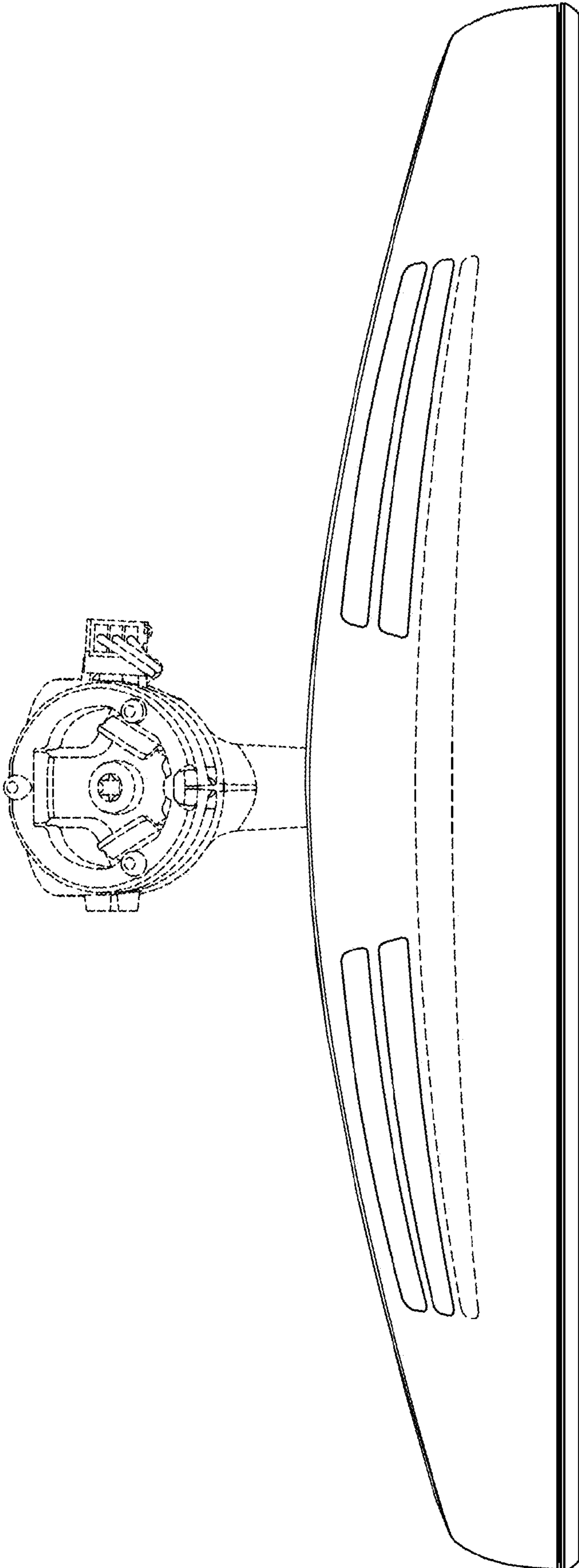


FIG. 8

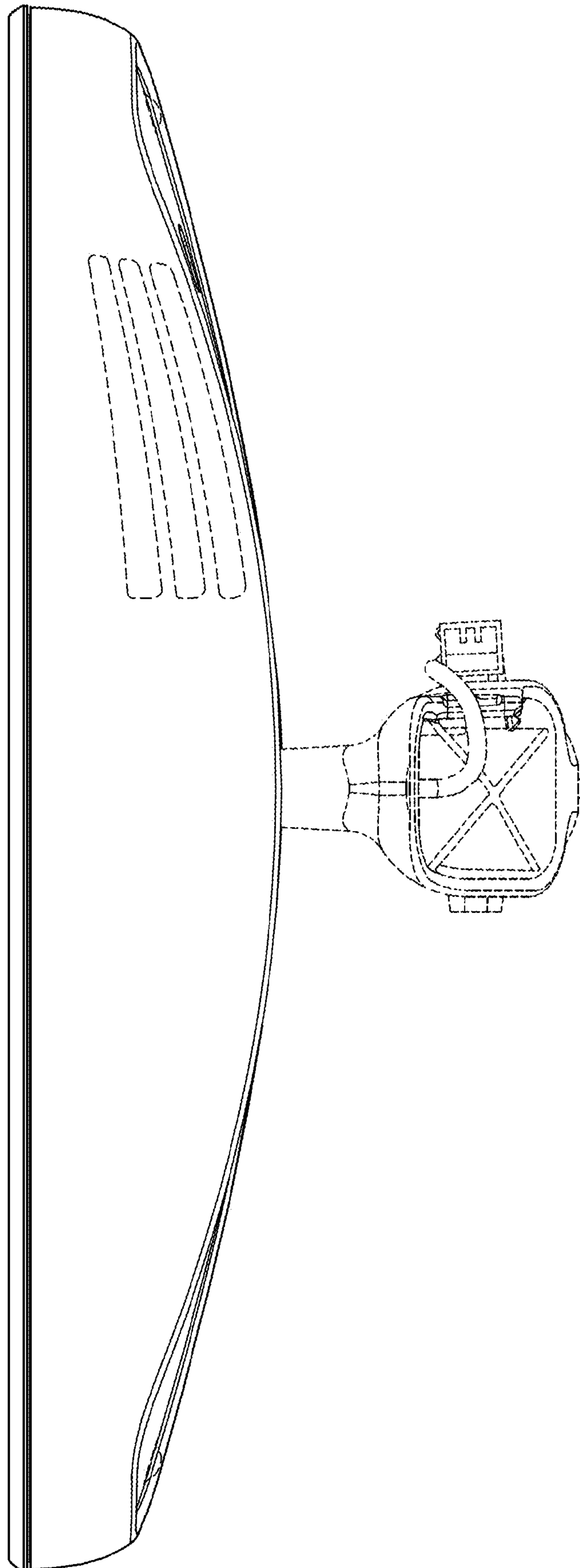


FIG. 9