



US00D958710S

(12) **United States Design Patent**
Wheel

(10) **Patent No.:** **US D958,710 S**
(45) **Date of Patent:** **** Jul. 26, 2022**

- (54) **VEHICLE SPOILER**
- (71) Applicant: **Jaguar Land Rover Limited**, Whitley
Coventry (GB)
- (72) Inventor: **Andrew Wheel**, Whitley Coventry
(GB)
- (73) Assignee: **Jaguar Land Rover Limited**, Whitley
Coventry (GB)
- (**) Term: **15 Years**
- (21) Appl. No.: **29/784,664**
- (22) Filed: **May 20, 2021**

- D763,149 S * 8/2016 Wheel D12/181
- D816,568 S * 5/2018 Scheinhutte D12/181
- D817,828 S * 5/2018 Scheinhutte D12/181
- D828,251 S * 9/2018 Varga D12/181
- D846,463 S * 4/2019 Wheel D12/181
- D854,986 S * 7/2019 Beckles D12/181

(Continued)

Primary Examiner — Susan E Krakower
Assistant Examiner — Jerry Shiuan-Hua Hsu
 (74) *Attorney, Agent, or Firm* — Wood Herron & Evans
 LLP

Related U.S. Application Data

- (62) Division of application No. 29/682,576, filed on Mar. 6, 2019, now Pat. No. Des. 920,861, which is a division of application No. 29/603,614, filed on May 11, 2017, now Pat. No. Des. 846,463.

Foreign Application Priority Data

- Nov. 11, 2016 (EM) 003459551-0001
- Nov. 11, 2016 (EM) 003459551-0002
- Nov. 13, 2016 (EM) 003460807-0001
- Nov. 13, 2016 (EM) 003460807-0002
- Nov. 13, 2016 (EM) 003460807-0003
- Nov. 13, 2016 (EM) 003460807-0004

(51) **LOC (13) Cl.** **12-16**

(52) **U.S. Cl.**
USPC **D12/181**

(58) **Field of Classification Search**
 USPC D12/88, 91, 96, 99, 400, 181, 182, 183,
 D12/184, 185, 190, 191, 192, 195
 CPC B62D 35/02; B62D 35/005; B62D 35/007;
 B60J 1/20; B60J 5/101
 See application file for complete search history.

(56) **References Cited**

U.S. PATENT DOCUMENTS

- D306,849 S * 3/1990 Envall D12/181
- D717,221 S * 11/2014 Borkert D12/181

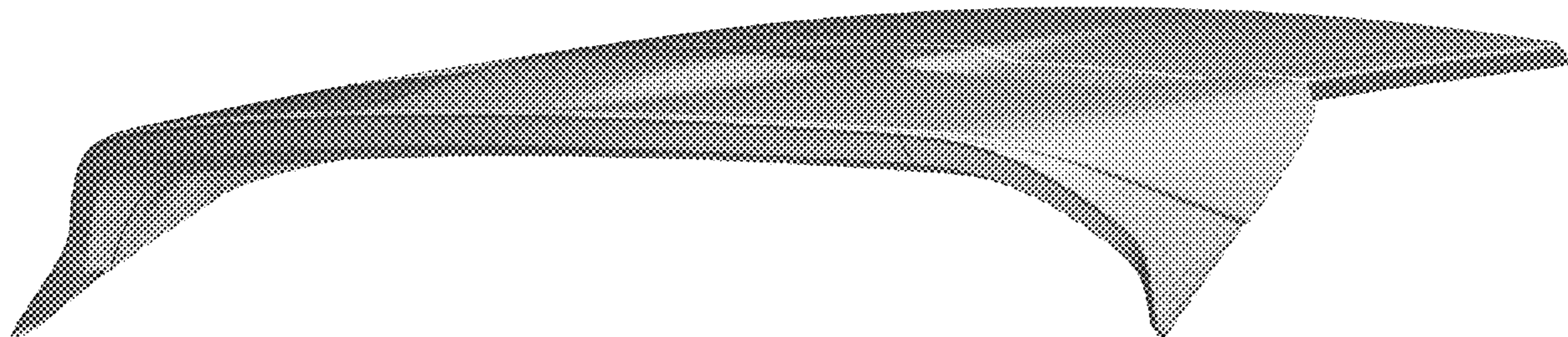
(57) **CLAIM**

The ornamental design for a vehicle spoiler, as shown and described.

DESCRIPTION

FIG. 1 is a front right perspective view of a vehicle spoiler according to the present invention.
 FIG. 2 is a front left perspective view of the vehicle spoiler shown in FIG. 1.
 FIG. 3 is a rear left perspective view thereof.
 FIG. 4 is a rear right perspective view thereof.
 FIG. 5 is a front view thereof.
 FIG. 6 is a rear view thereof.
 FIG. 7 is a right side view thereof, enlarged for ease of illustration.
 FIG. 8 is a left side view thereof, enlarged for ease of illustration.
 FIG. 9 is a top view thereof; and,
 FIG. 10 is a front right perspective view of the vehicle spoiler shown in FIGS. 1-9, shown in a condition of use. The broken lines showing a vehicle, in FIG. 10, illustrate environmental structure which forms no part of the claimed design.

1 Claim, 9 Drawing Sheets



(56)

References Cited

U.S. PATENT DOCUMENTS

D854,987 S *	7/2019	Grand	D12/181
D864,064 S *	10/2019	Smith	D12/181
D889,337 S *	7/2020	Chan	D12/181
D890,048 S *	7/2020	Battams	D12/181
D893,371 S *	8/2020	Gilbert	D12/181
D907,547 S *	1/2021	Buck	D12/181
D920,861 S *	6/2021	Wheel	D12/181
D930,532 S *	9/2021	Zhao	D12/181

* cited by examiner

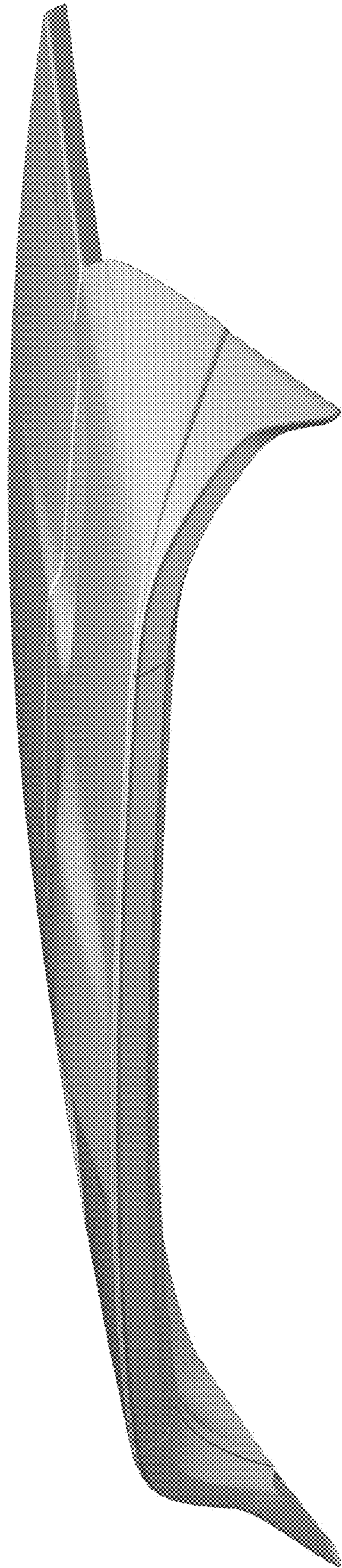


FIG. 1

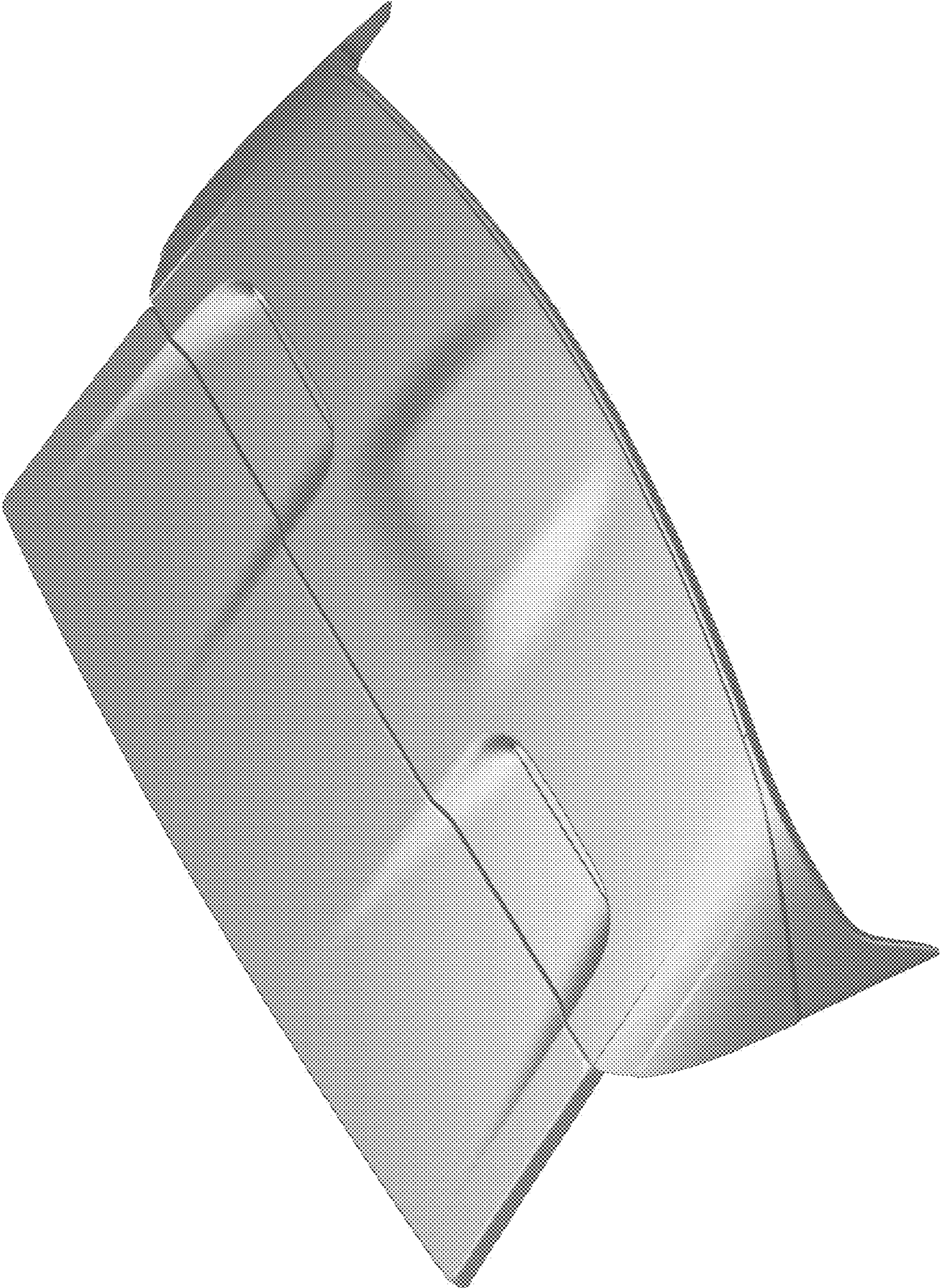


FIG. 2

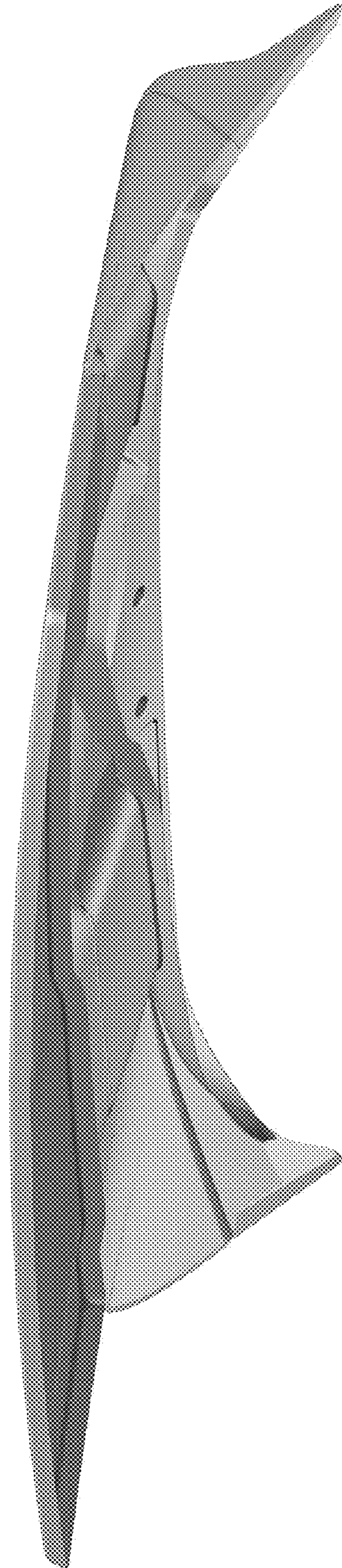


FIG. 3

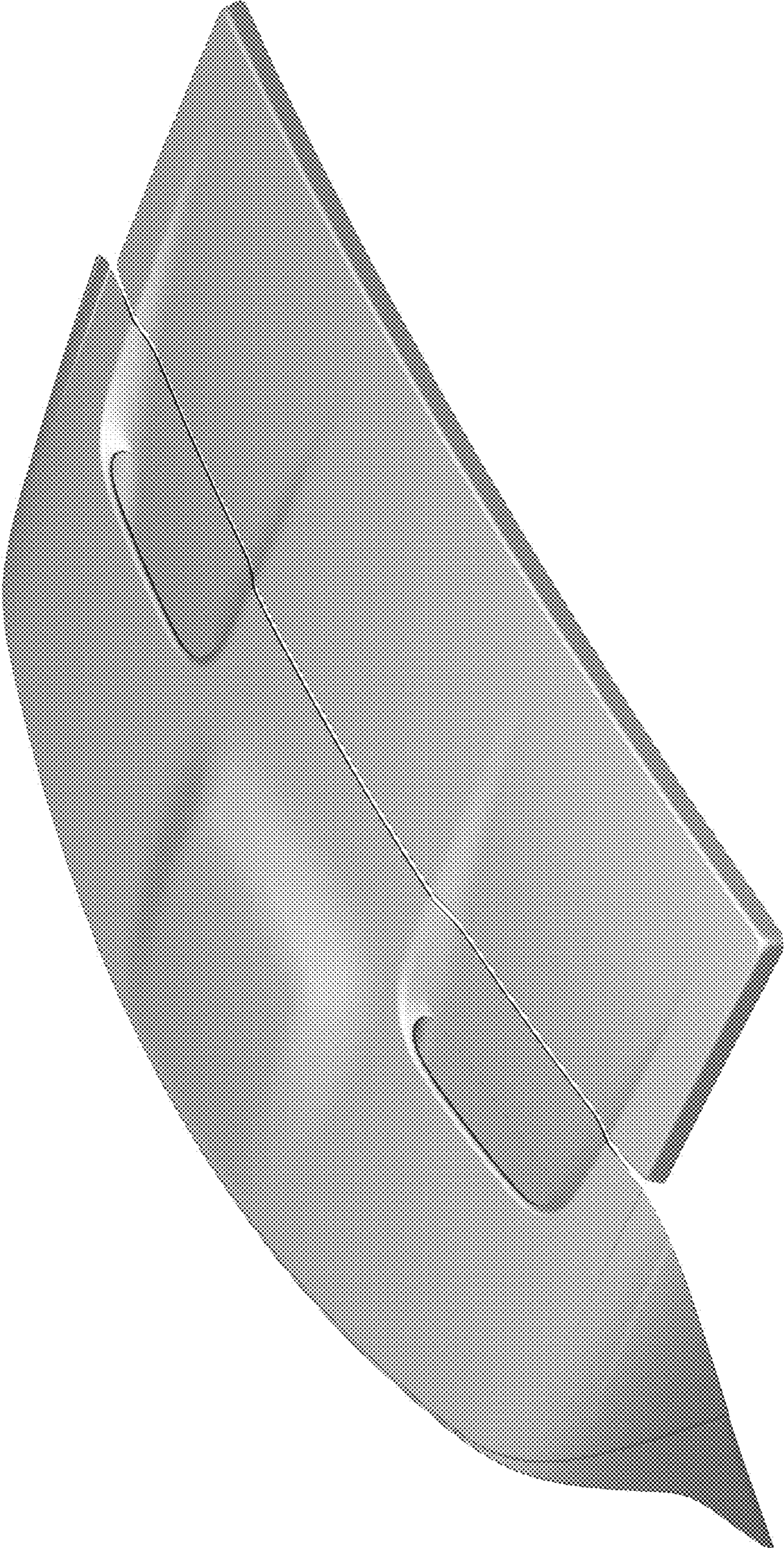


FIG. 4

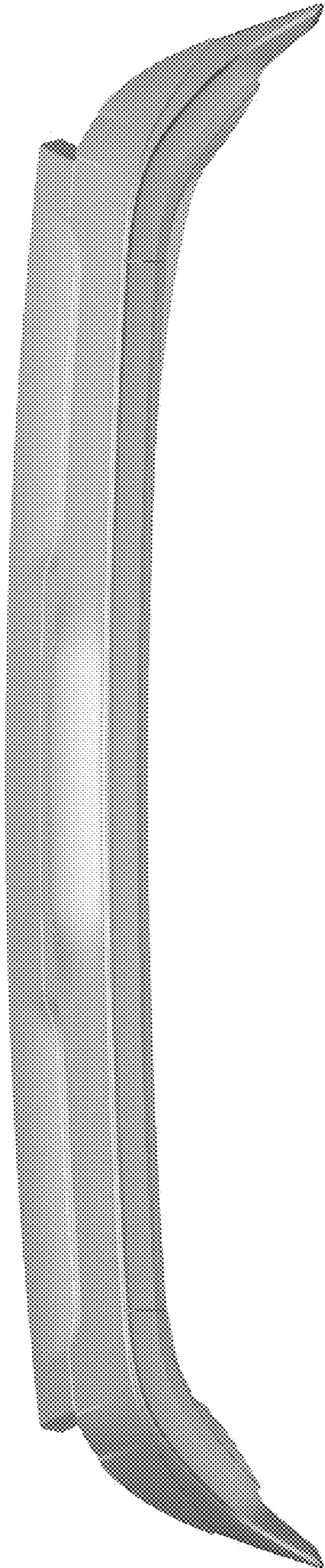


FIG. 5

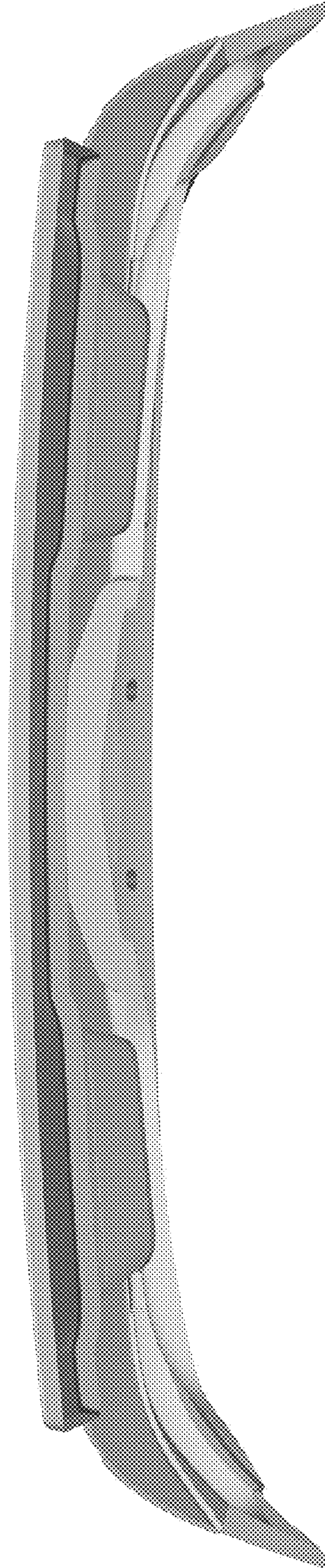


FIG. 6

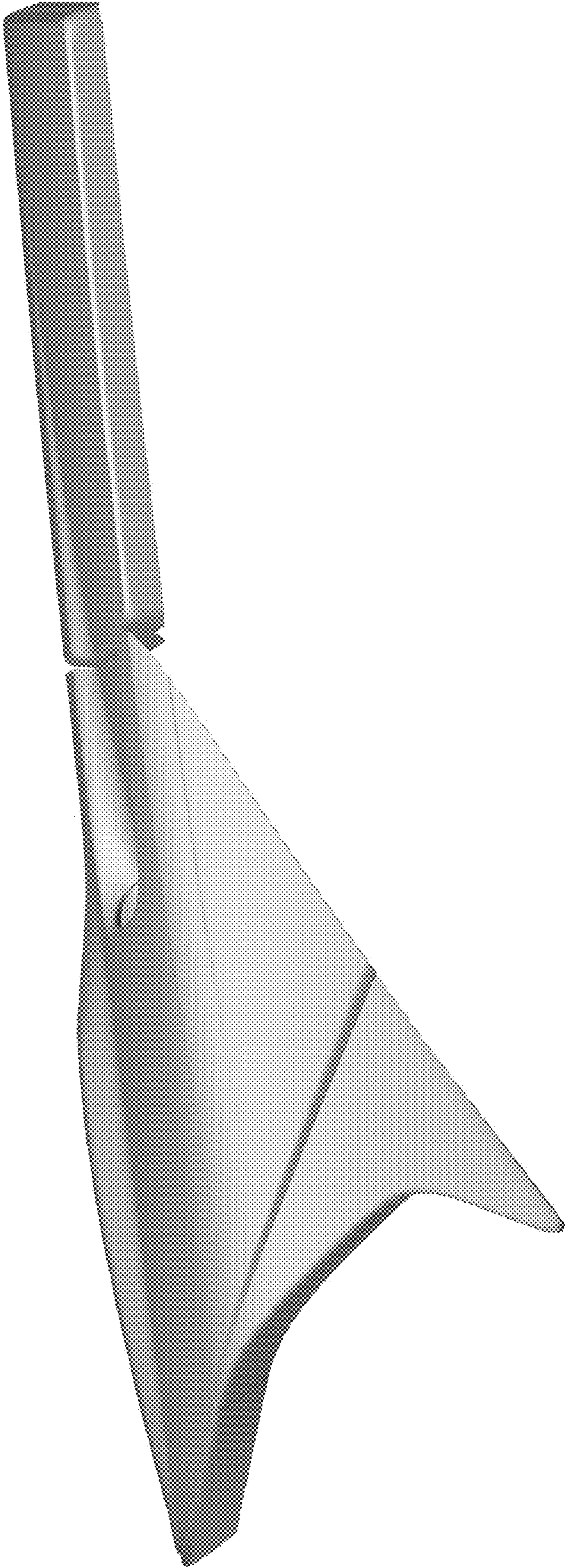


FIG. 7

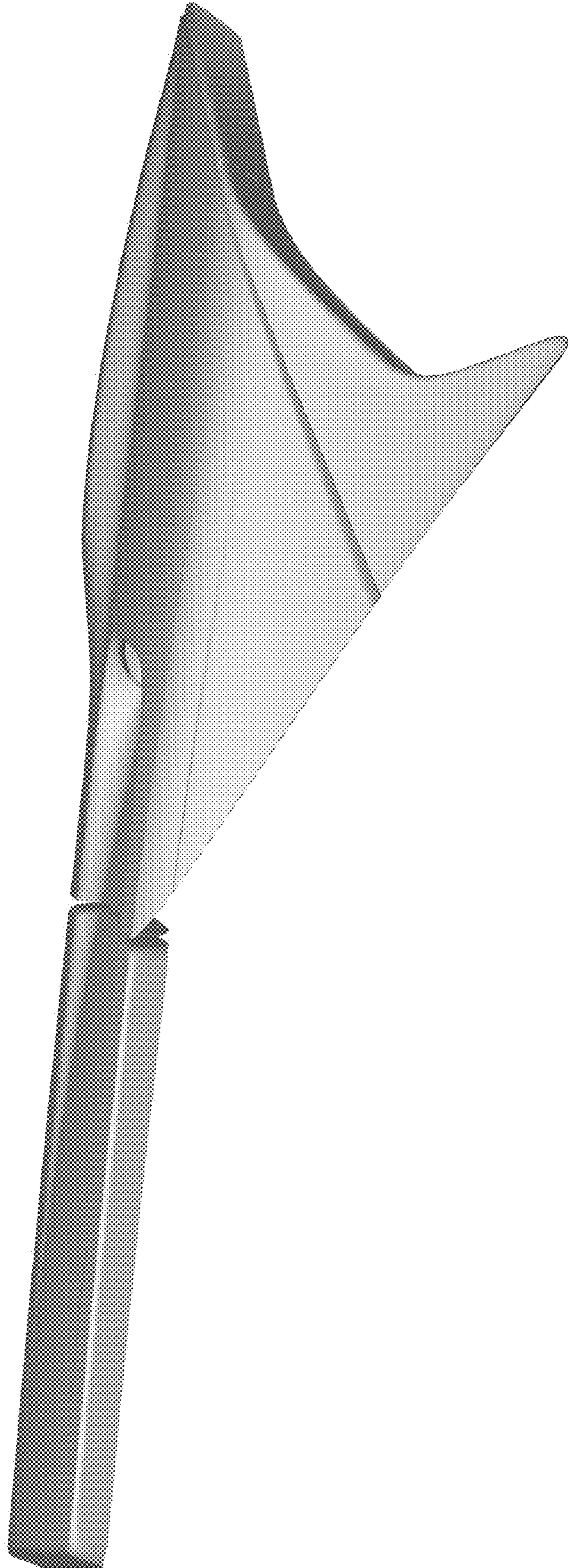


FIG. 8

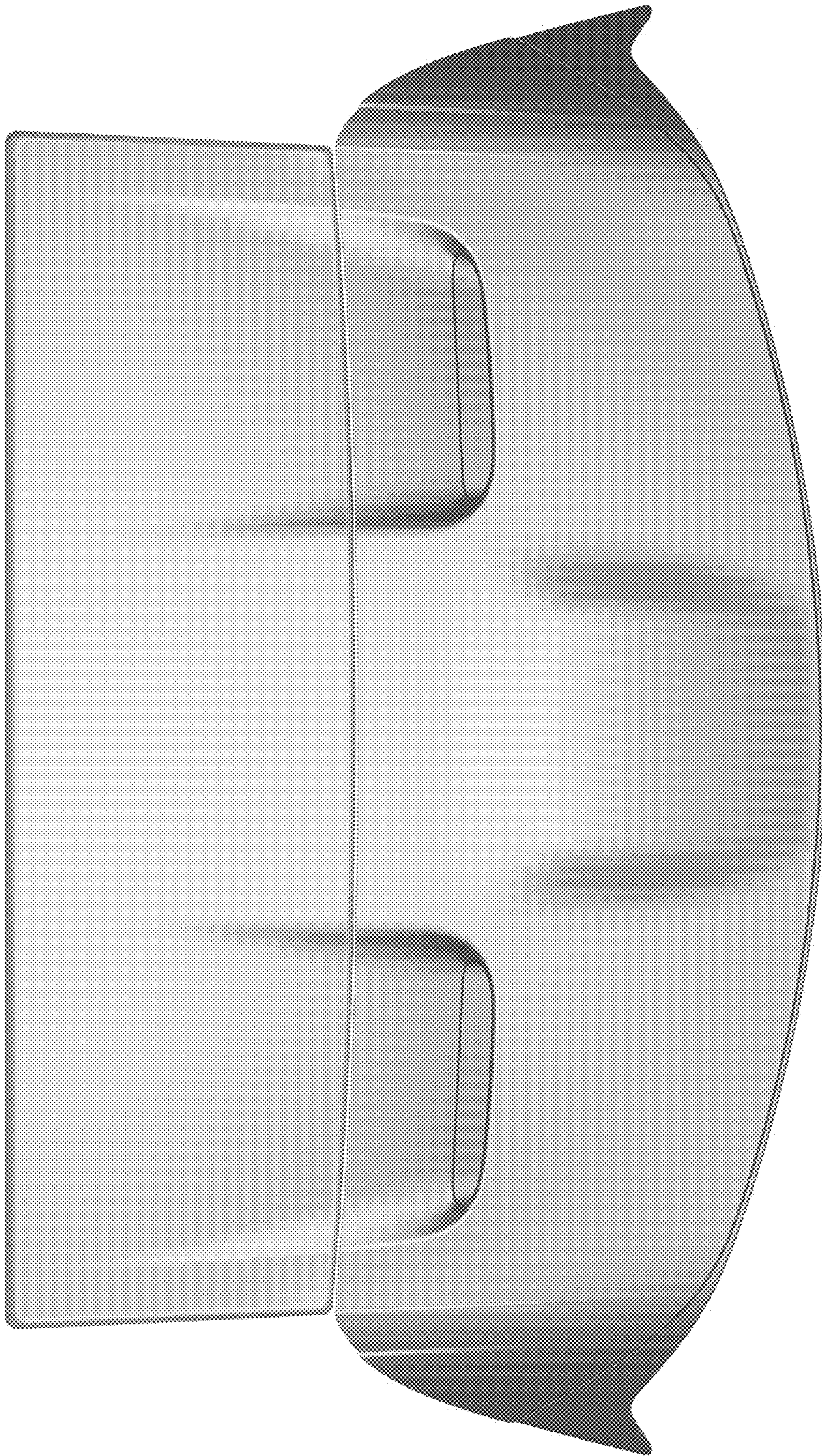


FIG. 9

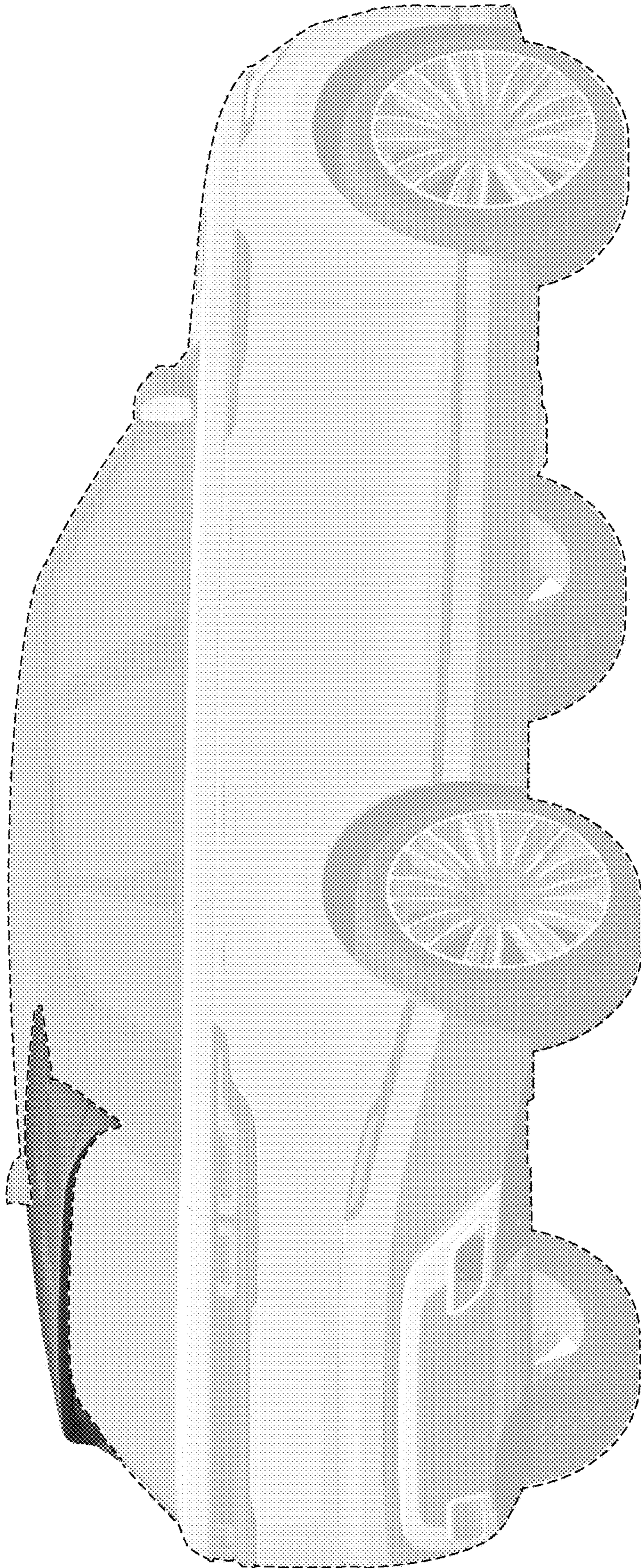


FIG. 10