



US00D958709S

(12) **United States Design Patent** (10) **Patent No.:** **US D958,709 S**
Yaffe (45) **Date of Patent:** **** Jul. 26, 2022**

(54) **MOTORCYCLE HANDLEBARS**
(71) Applicant: **Paul Yaffe**, Phoenix, AZ (US)
(72) Inventor: **Paul Yaffe**, Phoenix, AZ (US)
(**) Term: **15 Years**
(21) Appl. No.: **29/767,335**
(22) Filed: **Jan. 21, 2021**
(51) **LOC (13) Cl.** **12-16**
(52) **U.S. Cl.**
USPC **D12/178**
(58) **Field of Classification Search**
USPC D12/111, 114, 178
CPC B62K 19/16; B62K 21/12; B62K 21/18;
B62K 21/125; B62K 23/06
See application file for complete search history.

7,093,698 B1 8/2006 Chen
7,147,238 B2 12/2006 Oi
D542,197 S 5/2007 Carlini
D559,748 S 1/2008 Welch
(Continued)

OTHER PUBLICATIONS

“Monkey Sport Bars” Paul Yaffe’s Bagger Nation, posted date Jul. 16, 2021[online], [retrieved on Mar. 10, 2022]. Retrieved from the Internet <URL:https://baggernation.com/product/6-oem-monkey-sport-bars-multi-fit-road-glide-road-king-fxr-sportster-softail-and-dyna-glide/> (Year: 2021).*
(Continued)

Primary Examiner — Darlington Ly
Assistant Examiner — Nasim Abdulaziz Ali
(74) *Attorney, Agent, or Firm* — Ice Miller LLP

(57) **CLAIM**

The ornamental design for a motorcycle handlebars, as shown and described.

(56) **References Cited**

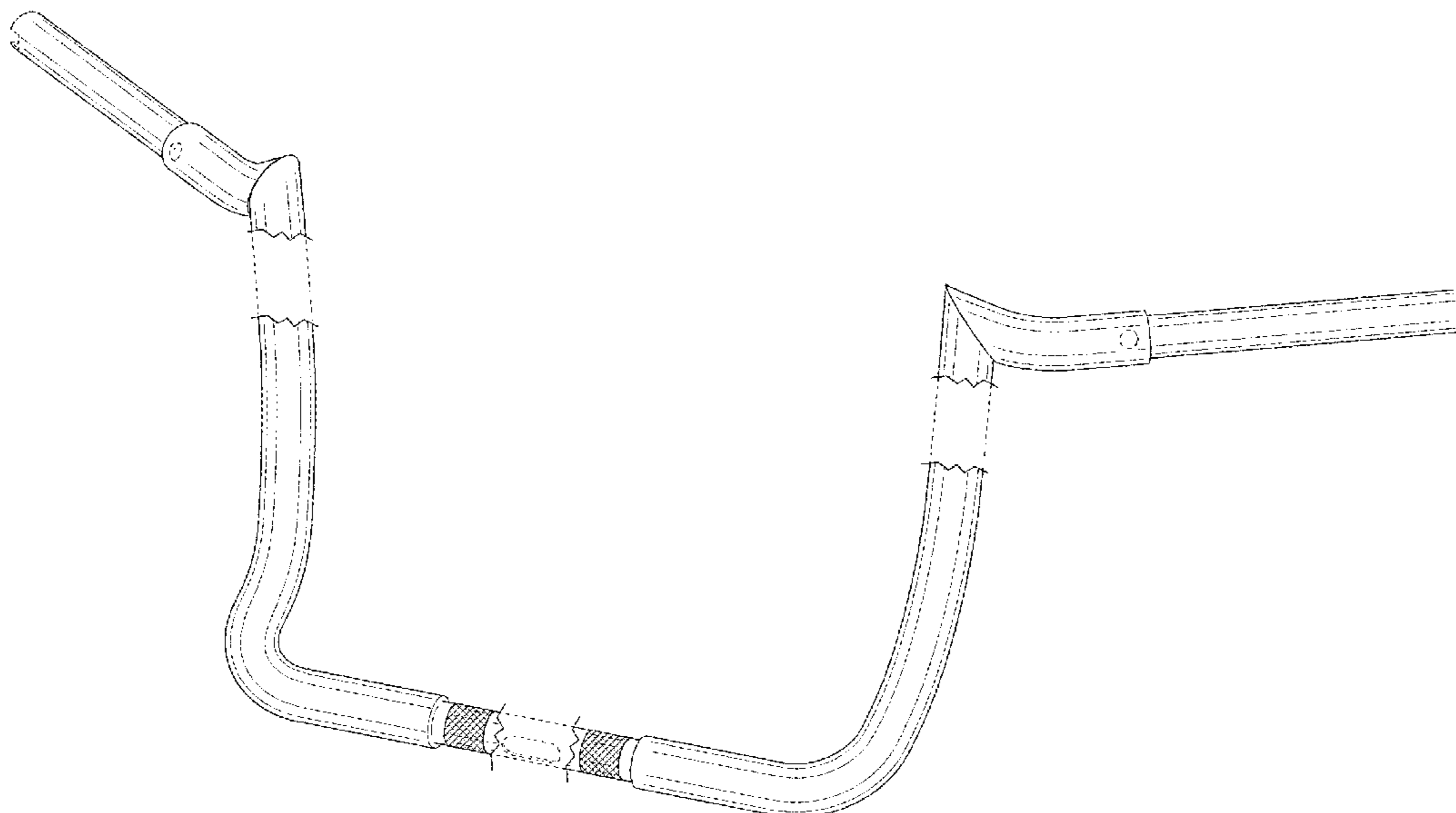
U.S. PATENT DOCUMENTS

3,331,617	A	7/1967	Jacoby	
D213,163	S	1/1969	Stone	
3,477,741	A	11/1969	Ross	
D223,072	S	3/1972	Pawsat et al.	
D224,696	S	8/1972	Pawsat et al.	
D328,266	S	7/1992	Cummings	
5,199,322	A	4/1993	Wu	
5,257,552	A	11/1993	Boyer et al.	
D342,475	S	12/1993	Haro	
D415,084	S	10/1999	Clarkson	
D425,463	S	5/2000	Clarkson	
D458,566	S *	6/2002	Carlini	D12/178
D477,798	S	7/2003	Bean et al.	
6,588,297	B1	7/2003	Day et al.	
D483,307	S	12/2003	Gibson	
6,668,681	B2	12/2003	Flum et al.	
D487,416	S	3/2004	Lin	
D496,893	S	10/2004	Sieve et al.	
D497,858	S	11/2004	Fabian	
D502,673	S	3/2005	Schlick	

DESCRIPTION

FIG. 1 is a front perspective view of motorcycle handlebars, showing the new design;
FIG. 2 is a rear perspective view thereof;
FIG. 3 is a front plan view thereof;
FIG. 4 is a rear plan view thereof;
FIG. 5 is a left side view thereof;
FIG. 6 is a right side view thereof;
FIG. 7 is a top elevational view thereof; and,
FIG. 8 is a bottom elevational view thereof.
The broken away symbols in the drawings indicate the appearance of any portion of the motorcycle handlebars between the break lines forms no part of the claimed design. The broken lines in the drawings illustrate portions of the motorcycle handlebars that form no part of the claimed design.

1 Claim, 7 Drawing Sheets



(56)

References Cited

U.S. PATENT DOCUMENTS

7,350,437 B2 4/2008 Mangano et al.
 D572,181 S * 7/2008 Lujan D12/178
 D594,787 S 6/2009 Dallaire
 D604,212 S * 11/2009 Carlini D12/178
 D612,307 S 3/2010 Lujan
 D621,755 S 8/2010 Carlini
 D624,858 S 10/2010 Carlini
 7,837,212 B2 11/2010 D'Aluisio
 D629,343 S * 12/2010 Carlini D12/178
 D639,211 S 6/2011 Lujan
 D658,098 S 4/2012 Plainfield
 D664,079 S 7/2012 Lujan
 D686,547 S 7/2013 Neilson
 D687,753 S * 8/2013 Carlini D12/178
 D689,409 S 9/2013 Yap
 D689,418 S * 9/2013 Menefee D12/178
 8,739,653 B2 6/2014 Hissam
 D725,455 S 3/2015 Carlini
 D726,607 S * 4/2015 Rickard D12/178
 D727,808 S * 4/2015 Heinz D12/178
 D749,024 S * 2/2016 Heinz D12/178
 D785,516 S * 5/2017 Stockton D12/178
 D832,163 S 10/2018 Smith
 D856,228 S * 8/2019 Dunn D12/178
 D893,370 S 8/2020 Lee
 2005/0211010 A1 9/2005 Zimmerman
 2006/0145446 A1 7/2006 Schmider
 2008/0298078 A1 12/2008 Miyamoto

2009/0044658 A1 2/2009 Yen
 2009/0049949 A1 2/2009 Chen
 2009/0056495 A1 3/2009 Bischoff et al.
 2010/0018341 A1 * 1/2010 Greppi B62K 21/12
 74/551.1
 2010/0186543 A1 * 7/2010 Menghini B62K 21/12
 74/551.1
 2011/0219909 A1 9/2011 Galstad et al.
 2014/0174246 A1 6/2014 Chiang
 2021/0347435 A1 * 11/2021 Huber B62K 21/22

OTHER PUBLICATIONS

“OEM Black 6” Sport Monkey Bar Handlebars” Paul Yaffe, posted date Jul. 1, 2020 [online], [retrieved on Mar. 10, 2022]. Retrieved from the Internet <URL:https://americanclassicmotors.com/products/paul-yaffe-oem-black-6-sport-monkey-bar-handlebars-harley-touring-softail-dyna> (Year: 2020).*

“Paul Yaffe Bagger Nation 1¼” Monkey Bars Handlebars for Harley” Paul Yaffe, posted date Aug. 31, 2017 [online], [retrieved on Mar. 10, 2022]. Retrieved from the Internet <URL:https://www.getlowered.com/paul-yaffe-bagger-nation-1-1-4-monkey-bars-handlebars-for-harley/> (Year: 2017).*

“Meathook Monkey Bar Ape Hangers Handlebars” Dominator Industries, posted date Jun. 25, 2017 [online], [retrieved on Mar. 10, 2022]. Retrieved from the Internet <URL:https://www.amazon.com/Dominator-Industries-Handlebars-Harley-Davidson-BC-HC-BB16GB-ESG08-ABS-BC/dp/B07387CYCG/> (Year: 2017).*

* cited by examiner

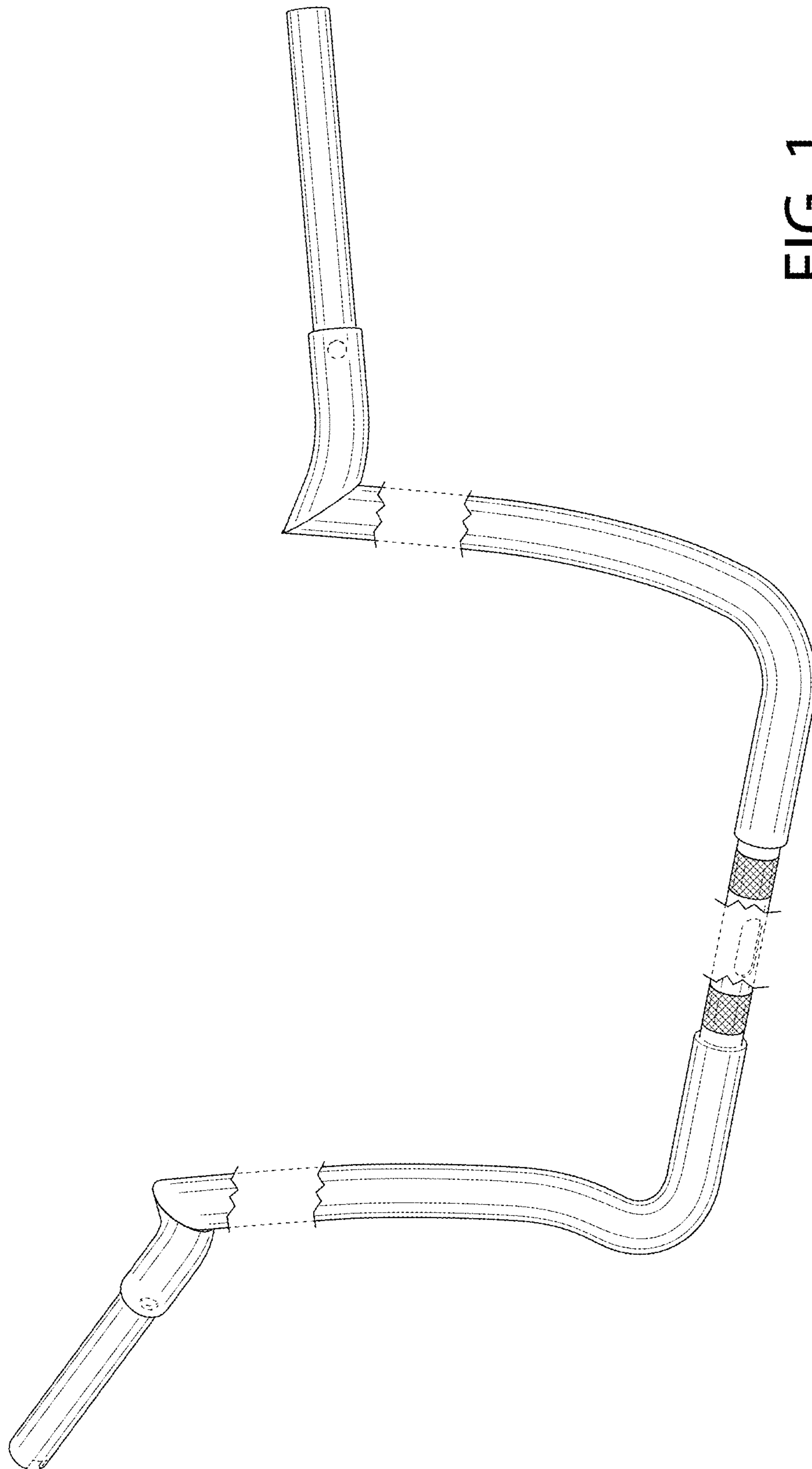


FIG. 1

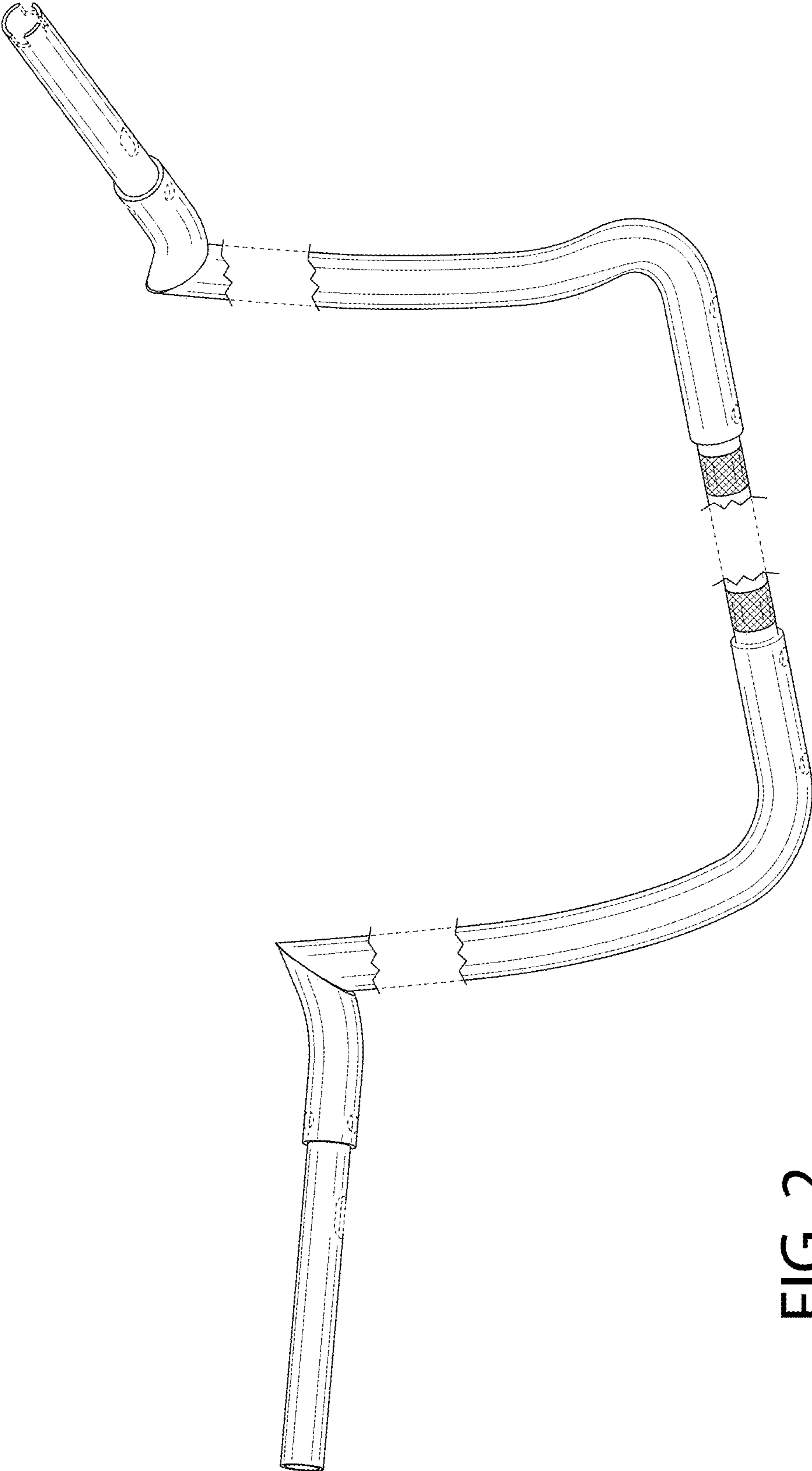


FIG. 2

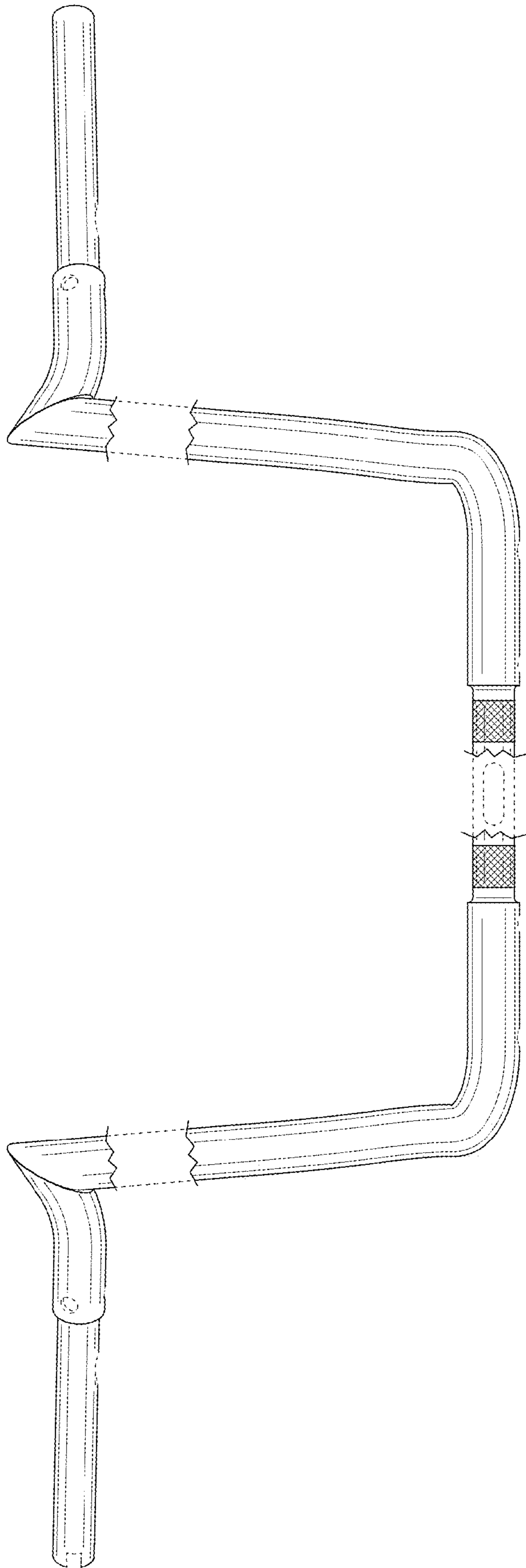


FIG. 3

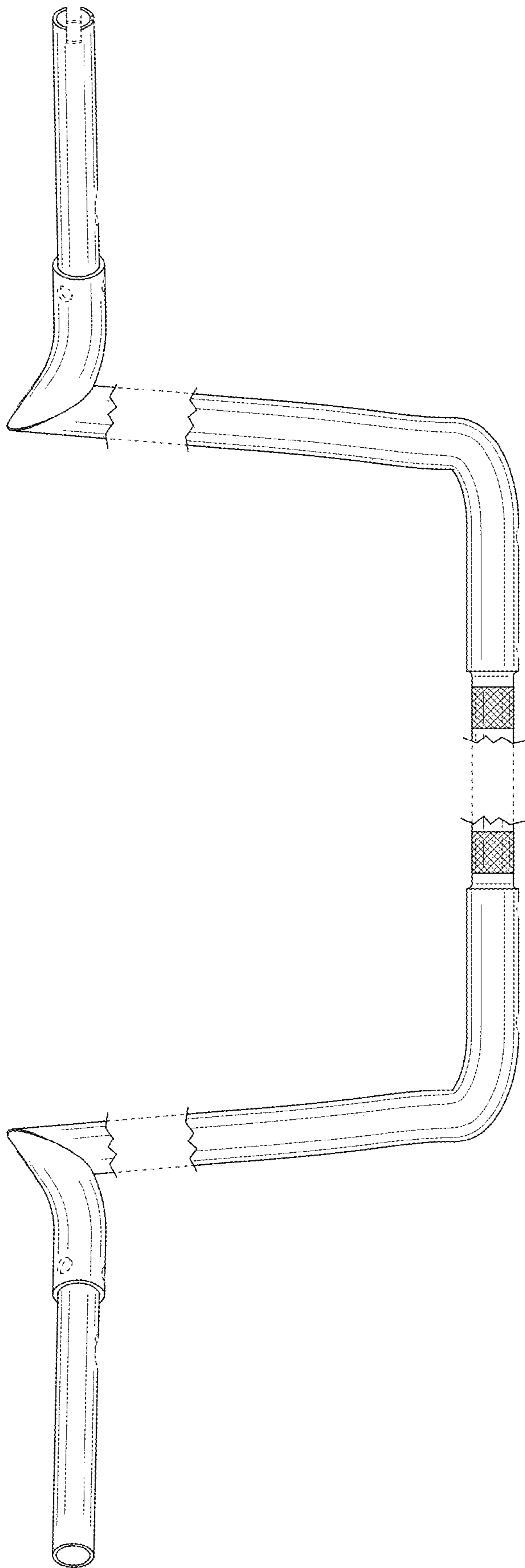


FIG. 4

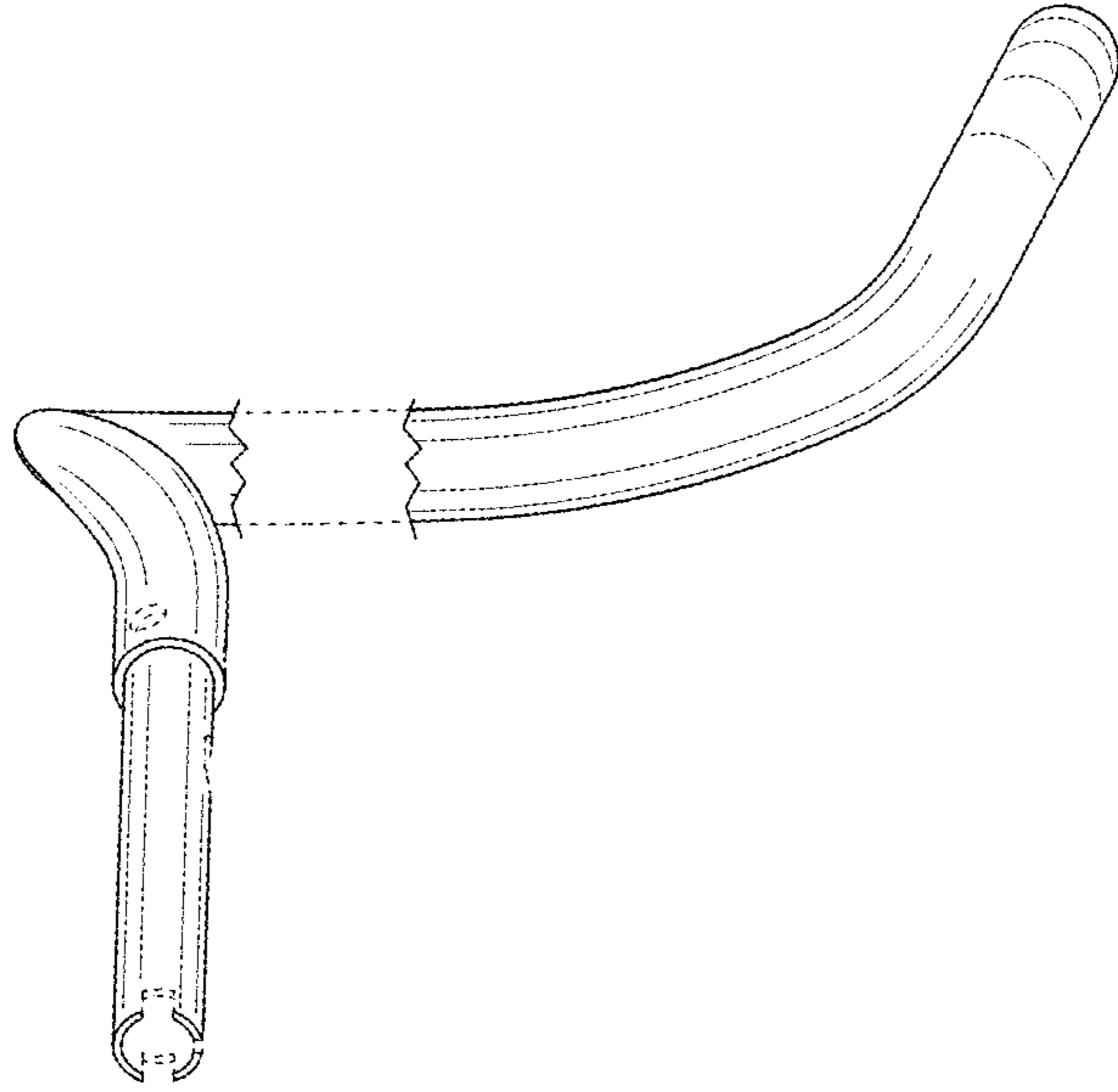


FIG. 5

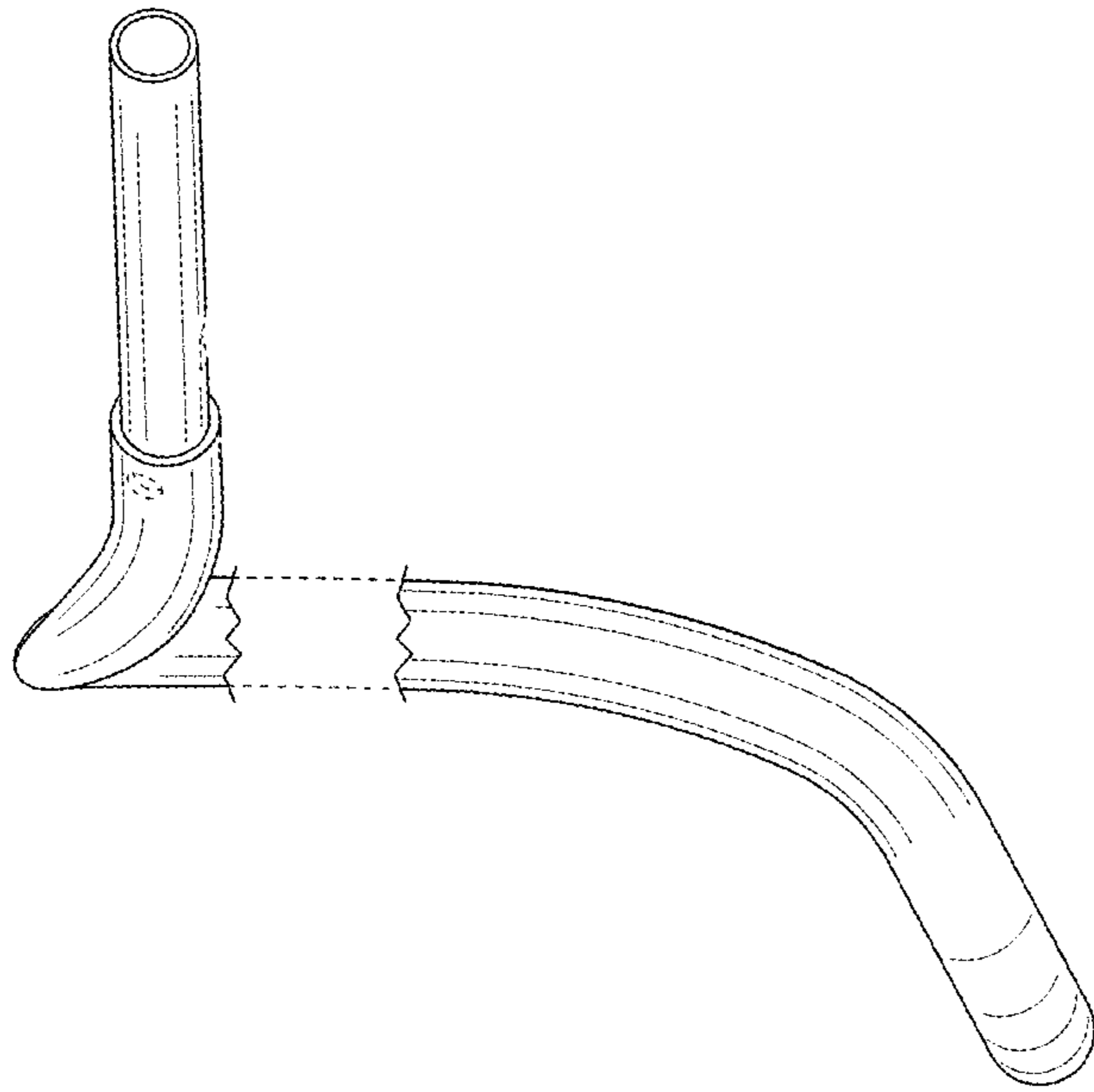


FIG. 6

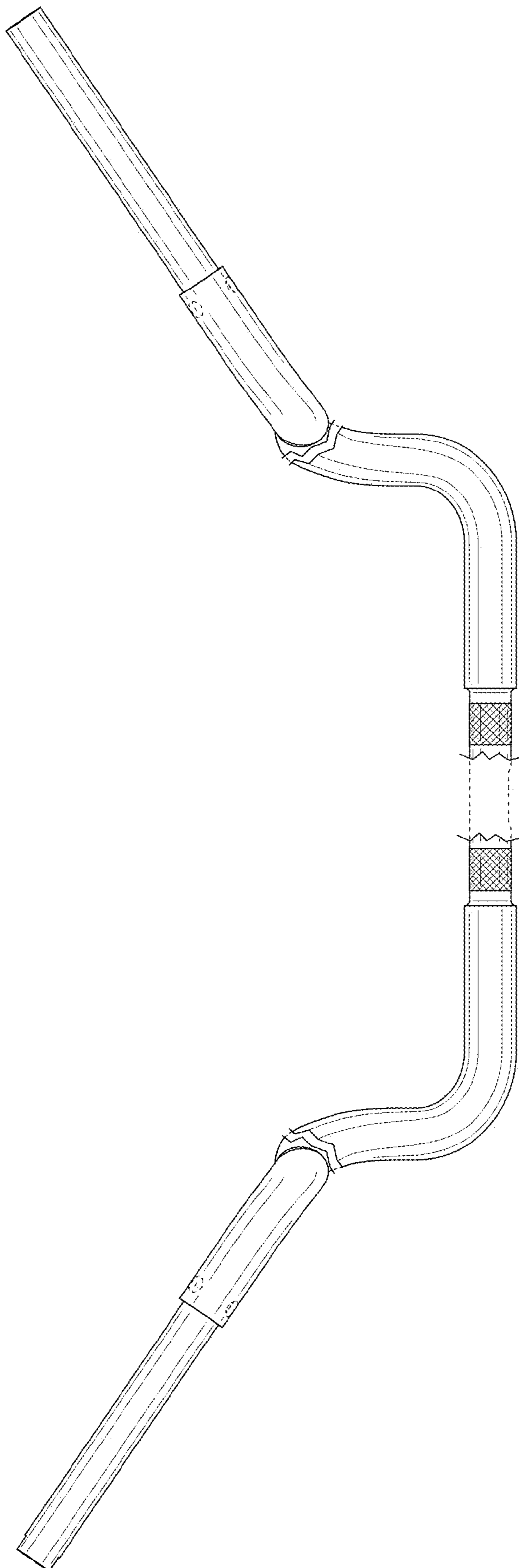


FIG. 7

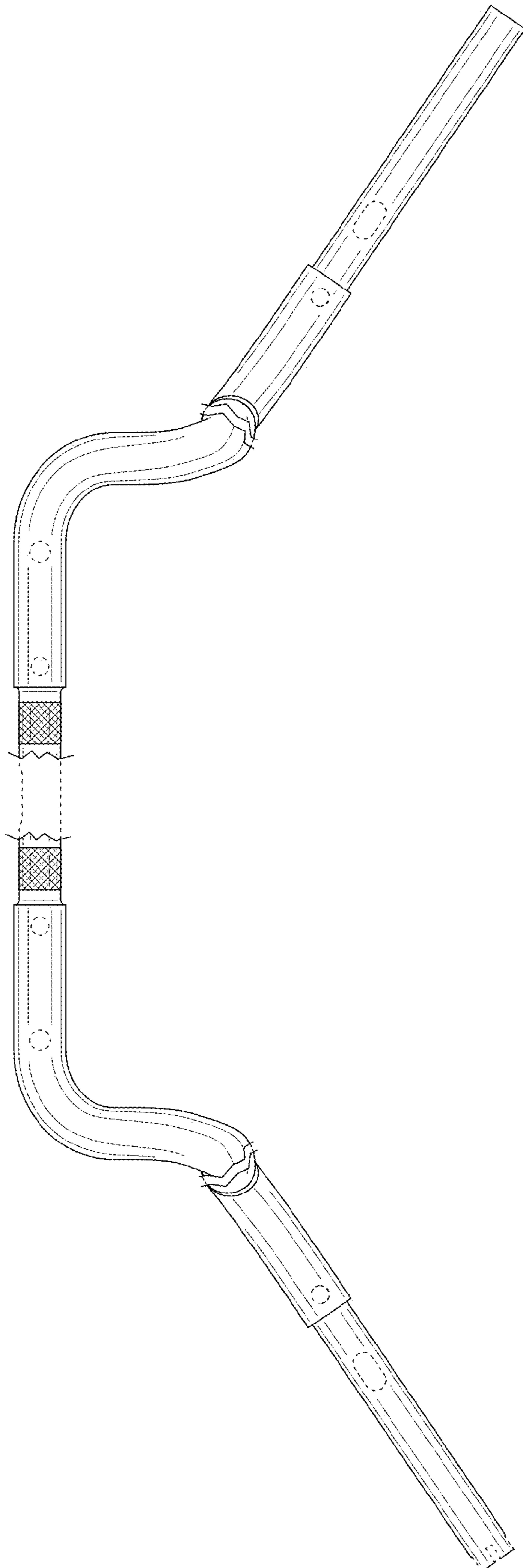


FIG. 8