



US00D958702S

(12) **United States Design Patent**
Segerer et al.

(10) **Patent No.:** **US D958,702 S**
(45) **Date of Patent:** **** Jul. 26, 2022**

(54) **BICYCLE FRAME**

(71) Applicant: **SPECIALIZED BICYCLE COMPONENTS HOLDING COMPANY, INC.**, Morgan Hill, CA (US)

(72) Inventors: **Matthias Heiner Roman Segerer**, Freiburg im Breisgau (DE); **Tero Juhani Jakku**, Bonstetten (CH); **James Michael Stafford**, Gilroy, CA (US); **Brian Daniel Robinson**, Morgan Hill, CA (US); **William Te-Chung Chan**, San Jose, CA (US)

(73) Assignee: **Specialized Bicycle Components, Inc.**, Morgan Hill, CA (US)

(**) Term: **15 Years**

(21) Appl. No.: **29/745,352**

(22) Filed: **Aug. 5, 2020**

(51) **LOC (13) Cl.** **12-11**

(52) **U.S. Cl.**
USPC **D12/111**

(58) **Field of Classification Search**
USPC D12/111, 117; D21/412, 414, 419,
D21/423–428, 431–435

(Continued)

(56) **References Cited**

U.S. PATENT DOCUMENTS

439,095 A 10/1890 Becker
447,741 A 3/1891 Semple

(Continued)

FOREIGN PATENT DOCUMENTS

AU 221626 B2 9/1957
BE 383892 A 5/1854

(Continued)

OTHER PUBLICATIONS

“Stumpjumper EVO Alloy Frameset” Specialized., posted date Apr. 1, 2019 [online], [retrieved on Mar. 10, 2022]. Retrieved from the Internet <URL:https://www.specialized.com/jp/ja/stumpjumper-evo-alloy-frameset/p/199426?color=319222-199426> (Year: 2019).*

(Continued)

Primary Examiner — Darlington Ly

Assistant Examiner — Nasim Abdulaziz Ali

(74) *Attorney, Agent, or Firm* — Knobbe, Martens, Olson & Bear, LLP

(57) **CLAIM**

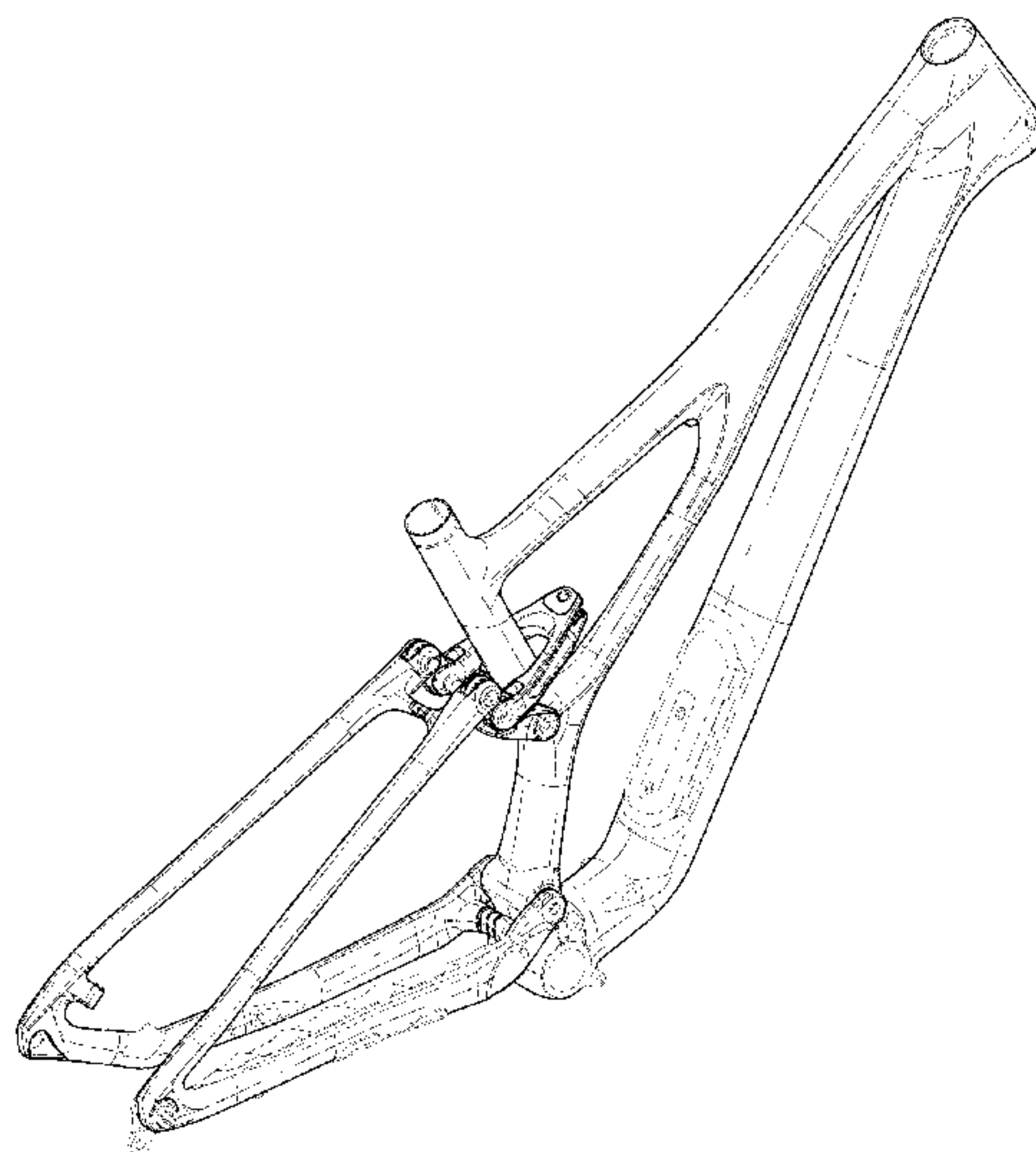
The ornamental design for a bicycle frame, as shown and described.

DESCRIPTION

FIG. 1 is a rear, top, and right side perspective view of a first embodiment of a bicycle frame embodying our new design; FIG. 2 is a right side elevation view thereof; FIG. 3 is a left side elevation view thereof; FIG. 4 is a rear elevation view thereof; FIG. 5 is a front elevation view thereof; FIG. 6 is a top plan view thereof; FIG. 7 is a bottom plan view thereof; FIG. 8 is a rear, top, and right side perspective view of a second embodiment of a bicycle frame embodying our new design; FIG. 9 is a right side elevation view thereof; FIG. 10 is a left side elevation view thereof; FIG. 11 is a rear elevation view thereof; FIG. 12 is a front elevation view thereof; FIG. 13 is a top plan view thereof; and, FIG. 14 is a bottom plan view thereof.

The broken lines in the drawings illustrate portions of the bicycle frame that form no part of the claimed design.

1 Claim, 10 Drawing Sheets



US D958,702 S

Page 2

(58) **Field of Classification Search**
 CPC ... B62K 3/00; B62K 3/02; B62K 3/06; B62K
 9/00; B62K 19/14
 See application file for complete search history.

(56) **References Cited**

U.S. PATENT DOCUMENTS

467,794 A	1/1892	Ellis	4,582,343 A	4/1986	Waugh
494,803 A	4/1893	Cable	4,600,207 A	7/1986	Zosi
504,079 A	8/1893	Cullmann	4,679,811 A	7/1987	Shuler
516,554 A	3/1894	Smith	4,688,816 A	8/1987	Yang
564,319 A	7/1896	Travis	4,731,045 A	3/1988	Nagano
578,615 A	3/1897	Travis	4,731,046 A	3/1988	Juy
587,337 A	8/1897	Smith	4,789,174 A	12/1988	Lawwill
591,306 A	10/1897	Tolson	4,905,541 A	3/1990	Alan
603,418 A	5/1898	Adriance	4,918,969 A	4/1990	Takeuchi et al.
627,199 A	6/1899	Mcdonnell	4,967,867 A	11/1990	Fuller
634,340 A	10/1899	Harnett	5,000,470 A	3/1991	Kamler et al.
640,113 A	12/1899	Dixon	5,002,520 A	3/1991	Greenlaw
644,788 A	3/1900	Williams	5,020,819 A	6/1991	D'Aluisio et al.
657,667 A	9/1900	Mills	5,116,071 A	5/1992	Calfee
667,594 A	2/1901	Soucy, Jr.	5,121,937 A	6/1992	Lawwill
704,288 A	7/1902	Anderson	5,129,665 A	7/1992	Sutter et al.
708,202 A	9/1902	Case	5,163,758 A	11/1992	Chi
712,784 A	11/1902	Ellis	5,217,241 A	6/1993	Girvin
714,121 A	11/1902	Williams	5,226,674 A	7/1993	Buell et al.
869,476 A	10/1907	Beck	5,255,932 A	10/1993	Moore
1,039,943 A	10/1912	Himes	5,269,551 A	12/1993	Martin et al.
1,047,430 A	12/1912	Michaelson	5,273,301 A	12/1993	Klein
1,101,614 A	6/1914	Bramham	5,316,327 A	5/1994	Bell
1,106,867 A	8/1914	Preund	5,326,331 A	7/1994	Hallock, III
1,136,870 A	4/1915	Dukelow	5,332,246 A	7/1994	Buell
1,272,399 A	7/1918	Douglas	5,337,861 A	8/1994	Romano
1,283,030 A	10/1918	Ashton	5,360,078 A	11/1994	Rifenburg et al.
1,298,958 A	4/1919	Johnston	5,368,804 A	11/1994	Hwang et al.
1,407,218 A	2/1922	Previtali	5,370,411 A	12/1994	Takamiya et al.
1,517,146 A	11/1924	Bloom	5,397,146 A	3/1995	Fischer
2,078,213 A	4/1937	Martin	5,403,028 A	4/1995	Trimble
2,108,941 A	2/1938	Morgan	5,409,249 A	4/1995	Busby
2,153,249 A	4/1939	Henry	5,435,584 A	7/1995	Buell
2,199,536 A	5/1940	Booty	5,441,292 A	8/1995	Busby
2,630,020 A	3/1953	Juy	5,445,400 A	8/1995	Martin et al.
2,773,398 A	12/1956	Swan	5,460,396 A	10/1995	Sutter et al.
2,863,672 A	12/1958	Murata	5,492,392 A	2/1996	Chen
3,111,855 A	11/1963	Juy	5,509,679 A	4/1996	Leitner
3,133,748 A	5/1964	Gunnerson	5,520,584 A	5/1996	Brown, III
3,184,993 A	5/1965	Swenson	D372,002 S	7/1996	Busby et al.
3,819,002 A	6/1974	Heathwaite et al.	5,540,118 A	7/1996	Calendrille, Jr.
3,833,242 A	9/1974	Thompson, Jr.	5,628,524 A	5/1997	Klassen et al.
3,860,265 A	1/1975	Weiss	D379,949 S	6/1997	Falvey, Jr.
3,863,512 A	2/1975	Crawley	5,653,512 A	8/1997	Phillips
3,866,946 A	2/1975	Robison	5,676,616 A	10/1997	Hara
3,889,975 A	6/1975	Falconi	5,678,837 A	10/1997	Leitner
3,910,136 A	10/1975	Juy	5,685,553 A	11/1997	Wilcox et al.
3,931,990 A	3/1976	Knapp	D389,787 S	1/1998	Zeigle et al.
3,964,330 A	6/1976	Ozaki	D390,506 S	2/1998	Shiau
3,964,765 A	6/1976	Zenser	5,725,227 A	3/1998	Mayer
3,973,447 A	8/1976	Nagano	5,762,353 A	6/1998	Miller
4,027,542 A	6/1977	Nagano	D396,434 S	7/1998	Tseng
4,039,200 A	8/1977	McGonegle	5,782,714 A	7/1998	Osgood
4,051,704 A	10/1977	Kimura	5,791,674 A	8/1998	D'Aluisio et al.
4,058,181 A	11/1977	Buell	D398,266 S	9/1998	Colegrove et al.
4,215,872 A	8/1980	Clark	5,803,476 A	9/1998	Olson et al.
4,299,582 A	11/1981	Leitner	D402,926 S	12/1998	Kciuk
4,322,088 A	3/1982	Miyakoshi et al.	5,842,711 A	12/1998	Rot
4,371,064 A	2/1983	Shinamo	D405,030 S	2/1999	Frost et al.
4,410,313 A	10/1983	Shimano	5,881,835 A	3/1999	Lucht et al.
4,421,337 A	12/1983	Pratt	5,899,480 A	5/1999	Leitner
4,437,679 A	3/1984	Campagnolo	5,919,106 A	7/1999	Ichida
4,440,413 A	4/1984	Miyakoshi et al.	5,938,225 A	8/1999	Scheibe et al.
4,457,393 A	7/1984	Tamaki et al.	5,957,473 A	9/1999	Lawwill
4,493,489 A	1/1985	Huret et al.	5,975,550 A	11/1999	Schonfeld
4,529,056 A	7/1985	Kreuz	5,979,924 A	11/1999	D'Aluisio et al.
4,561,670 A	12/1985	Takada	D419,110 S	1/2000	Allen et al.
4,579,189 A	4/1986	Tanaka	D419,111 S	1/2000	Allen et al.
4,580,427 A	4/1986	Akamatsu	D419,492 S	1/2000	Egger et al.
			6,015,360 A	1/2000	Chang
			6,036,213 A	3/2000	Busby
			6,056,307 A	5/2000	Busby et al.
			6,076,845 A	6/2000	Lawwill et al.
			6,085,405 A	7/2000	Kao
			6,086,080 A	7/2000	Scheffer
			6,092,823 A	7/2000	Busby
			D430,070 S	8/2000	Kciuk
			6,099,010 A	8/2000	Busby
			6,102,421 A	8/2000	Lawwill et al.

(56)

References Cited

U.S. PATENT DOCUMENTS

6,123,353 A 9/2000 Bennett et al.
 6,131,934 A 10/2000 Sinclair
 6,151,948 A 11/2000 Ashworth et al.
 6,162,140 A 12/2000 Fukuda
 6,164,676 A 12/2000 Wilcox
 6,170,845 B1 1/2001 Tseng
 6,203,042 B1 3/2001 Wilcox
 6,206,397 B1 3/2001 Klassen et al.
 6,270,104 B1 8/2001 Nelson et al.
 D447,986 S 9/2001 Hsu
 6,286,642 B1 9/2001 Yi
 6,287,228 B1 9/2001 Ichida
 6,350,212 B1 2/2002 Campagnolo
 6,361,059 B1 3/2002 Ellsworth
 6,375,210 B1 4/2002 Lam
 6,378,885 B1 4/2002 Ellsworth et al.
 6,409,281 B1 6/2002 Kanehisa et al.
 6,439,593 B1 8/2002 Tseng
 6,454,363 B1 9/2002 Vignocchi et al.
 6,471,230 B2 10/2002 Ellsworth et al.
 6,481,523 B1 11/2002 Noro et al.
 6,497,427 B1 12/2002 D'Alusio et al.
 6,595,538 B2 7/2003 Ellsworth et al.
 6,609,437 B2 8/2003 Jiang
 D479,817 S 9/2003 Hobson
 6,612,197 B2 9/2003 Steuer et al.
 6,644,452 B2 11/2003 Lew et al.
 6,682,088 B1 1/2004 Lin
 6,712,373 B2 3/2004 Chamberlain et al.
 6,742,796 B2 6/2004 Ho et al.
 6,742,849 B1 6/2004 Denby
 6,783,142 B1 8/2004 Schober
 6,783,158 B2 8/2004 Nakagawa et al.
 6,805,372 B2 10/2004 Gueugneaud
 6,843,494 B2 1/2005 Lam
 6,845,998 B2 1/2005 Probst
 6,854,753 B2 2/2005 Turner
 6,880,847 B2 4/2005 Chamberlain et al.
 6,986,521 B1 1/2006 Li et al.
 D517,452 S * 3/2006 Hickman D12/111
 7,033,294 B2 4/2006 Chamberlain et al.
 7,052,028 B2 5/2006 Chamberlain
 7,052,029 B2 5/2006 Chamberlain
 D523,380 S 6/2006 Auger et al.
 7,059,620 B2 6/2006 Chamberlain et al.
 7,207,914 B2 4/2007 Chamberlain et al.
 7,377,535 B2 5/2008 Chamberlain
 7,506,528 B2 3/2009 Chamberlain
 7,537,231 B2 5/2009 Callahan et al.
 D593,457 S 6/2009 Talavasek et al.
 7,562,890 B2 7/2009 Yu
 7,591,475 B1 9/2009 Calfee
 D632,615 S * 2/2011 Uimonen D12/111
 7,891,688 B2 2/2011 Chamberlain
 D637,527 S * 5/2011 Choi D12/111
 8,006,993 B1 8/2011 Chamberlain
 8,042,822 B2 10/2011 D'Aulisio
 8,167,327 B2 5/2012 Chamberlain
 D662,011 S 6/2012 D'Aulisio et al.
 D666,536 S * 9/2012 Uimonen D12/111
 D682,744 S * 5/2013 Horne D12/111
 8,882,125 B2 11/2014 Paquin et al.
 D719,488 S * 12/2014 Stafford D12/111
 D774,970 S 12/2016 D'Aulisio et al.
 D783,460 S 4/2017 Beale
 D797,610 S 9/2017 Jankura
 D858,359 S * 9/2019 Lentz D12/111
 D918,781 S * 5/2021 Hüttl D12/111
 D935,948 S * 11/2021 Stafford D12/111
 2002/0070604 A1 6/2002 Kanehisa
 2003/0038449 A1 2/2003 Gueugneaud
 2003/0038450 A1 2/2003 Lam
 2003/0236142 A1 12/2003 Yamamoto

2004/0046355 A1 3/2004 Carroll
 2004/0094933 A1 5/2004 Probst
 2004/0130117 A1 7/2004 Lipton
 2004/0239071 A1 12/2004 Chamberlain et al.
 2005/0046142 A1 3/2005 Chamberlain
 2005/0046143 A1 3/2005 Chamberlain
 2005/0253357 A1 11/2005 Chang et al.
 2006/0284394 A1 12/2006 Chamberlain et al.
 2007/0191160 A1 8/2007 Chamberlain
 2008/0238027 A1 10/2008 Talavasek
 2009/0001685 A1 1/2009 Talavasek et al.
 2009/0224507 A1 9/2009 Hu
 2010/0096832 A1 4/2010 Pinarello
 2011/0241309 A1 10/2011 Rioux et al.
 2011/0278816 A1 11/2011 Chamberlain
 2021/0078669 A1* 3/2021 Chamberlain B62K 19/30

FOREIGN PATENT DOCUMENTS

DE 744465 C 1/1944
 DE 3937368 A1 5/1991
 DE 20217875 U1 4/2003
 EP 0315039 A2 5/1989
 EP 1238900 A2 9/2002
 FR 986467 A 8/1951
 FR 2236714 A 2/1975
 FR 2450145 A 9/1980
 FR 2639015 A 5/1990
 FR 2673906 A 9/1992
 FR 2687976 A 9/1993
 GB 500909 A 2/1939
 GB 513749 A 10/1939
 GB 810243 A 3/1959
 JP S53077868 A 7/1978
 JP 55153632 A 11/1980
 JP 58081531 5/1983
 JP 03231087 A 10/1991
 JP H1094879 A 4/1998
 JP 2006-290139 A 10/2006
 TW 220395 8/2004

OTHER PUBLICATIONS

“The Best Specialized Bikes You Can Buy Right Now” *Bicycling.*, posted date Apr. 7, 2020 [online], [retrieved on Mar. 10, 2022]. Retrieved from the Internet <URL:https://www.bicycling.com/bikes-gear/a25237548/best-specialized-bikes/> (Year: 2020).*

“Top Fuel Alloy Frameset” *TREK.*, posted date Aug. 31, 2020 [online], [retrieved on Mar. 10, 2022]. Retrieved from the Internet <URL:https://www.trekbikes.com/us/en_US/bikes/mountain-bikes/cross-country-mountain-bikes/top-fuel/top-fuel-alloy-frameset/p/17425/> (Year: 2020).*

Cannondale Gemini™ Bicycle Owner's Manual Supplement, IQ Mc/JCH 122601 #113646, 2001.

Cannondale Jekyll™ Owner's Manual Supplement, Publication No. 115808.PDF, Aug. 2003.

Ellsworth Internet Materials, <http://www.ellsworthbikes.com/bikes/id/index.cfm> dated Nov. 3, 2004 in 5 pages.

BikeRadar, Specialized 2011 Road: New Roubaix SL3, Allez And CruX, http://www.bikeradar.com/news/article/specialized-20_1_road-new-roubaix-sl3-allez-and-crux-26769/, dated Jun. 27, 2010.

BikeRadar, Specialized Unveil Project Black Machine For Saxo Bank, <http://www.bikeradar.com/news/article/specialized-unveilproject-black-machine-for-saxo-bank-25644> dated Apr. 7, 2010.

Velo News, 2011 Specialized Roubaix: with or without battery, http://velonews.competitor.com/2010/06/bikes-and-tech/20_1_1-specialized-roubaix-with-or-without-battery_123445, dated Jun. 27, 2010.

VeloVert, Nouveu Stumpjumper 2010, <http://www.velovert.com/photoreportage/4752/Le-squelette-du-Stumpy-version-encarbone.#cadre> photo, Jun. 29, 2009.

* cited by examiner

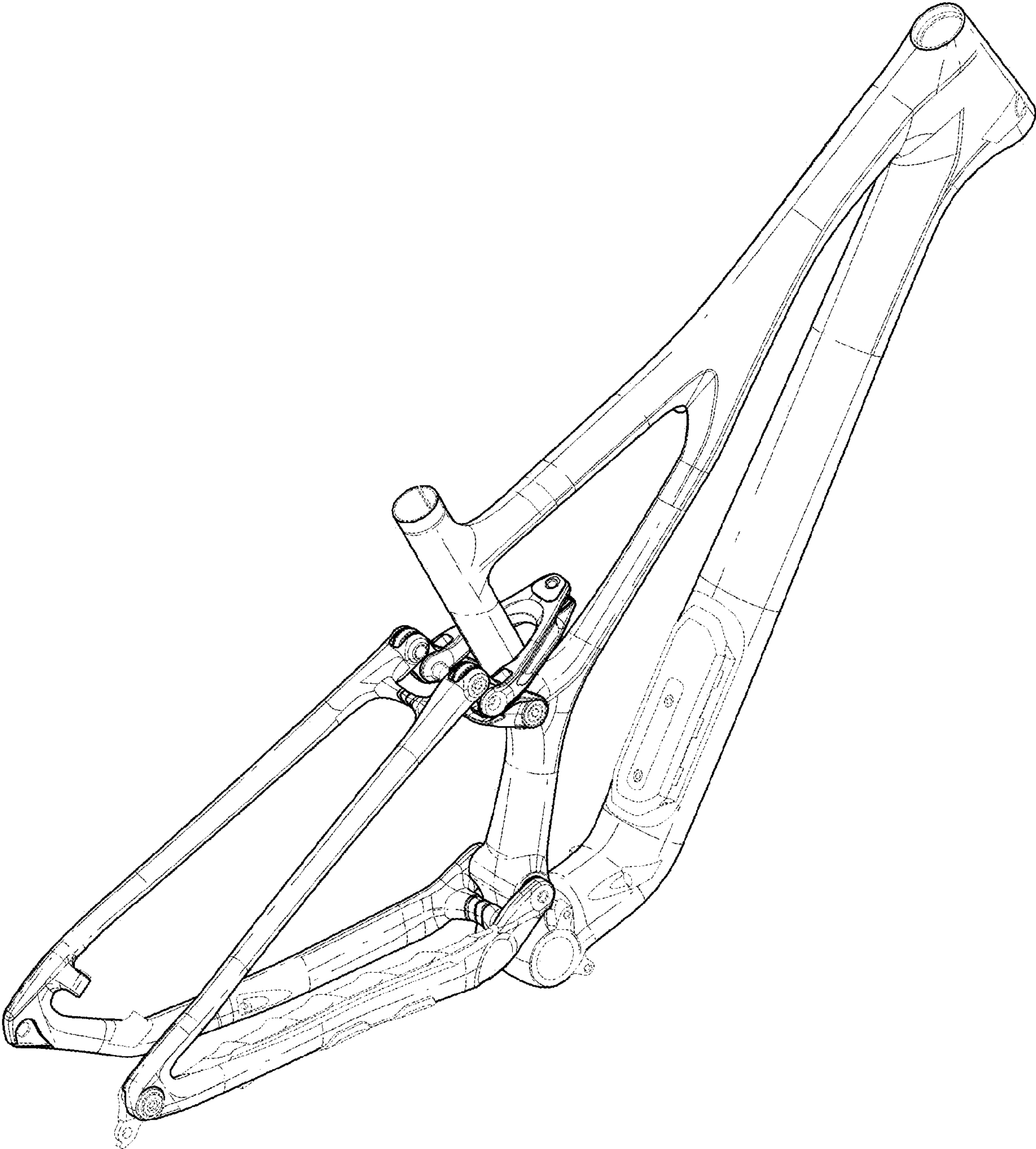


FIG. 1

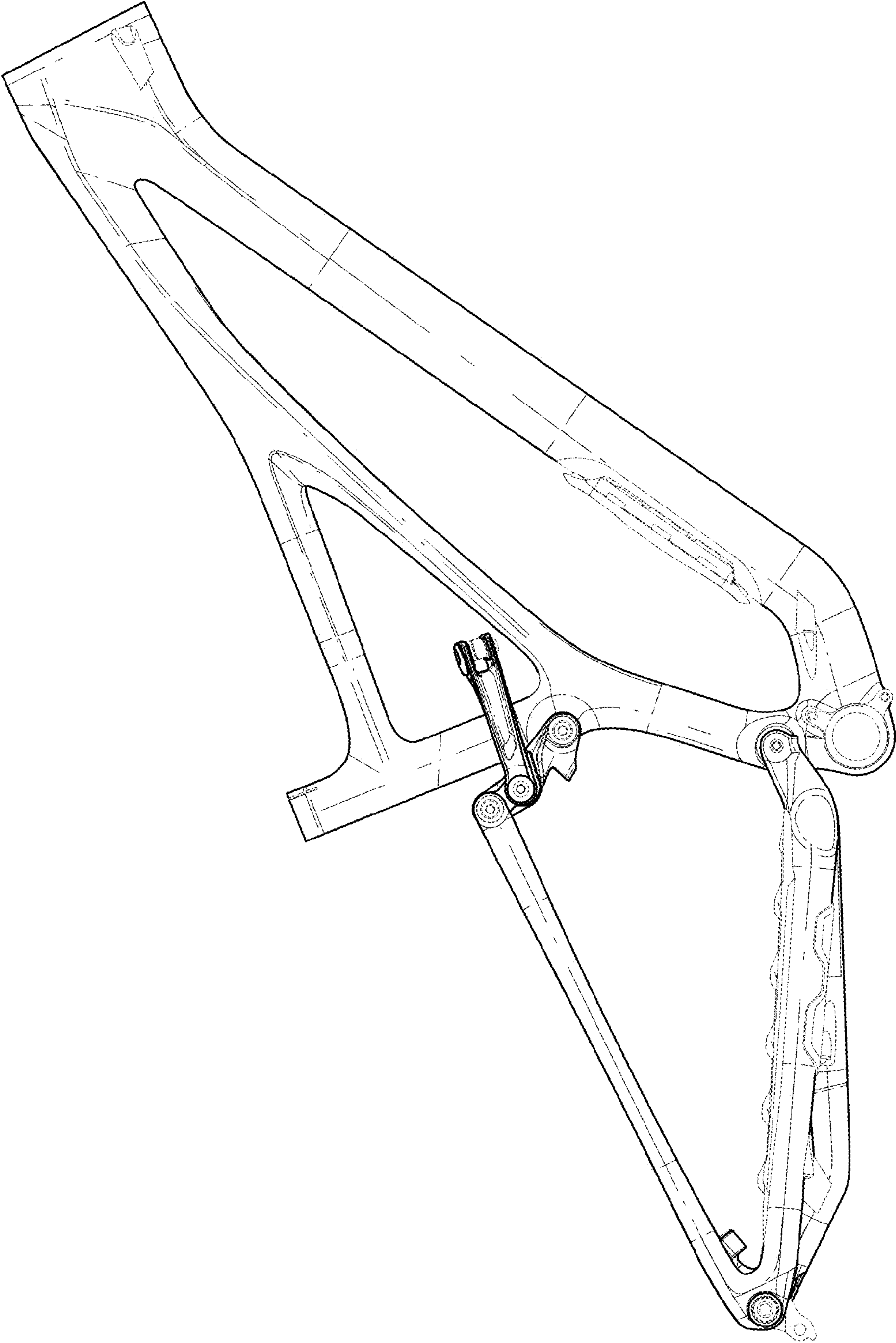


FIG. 2

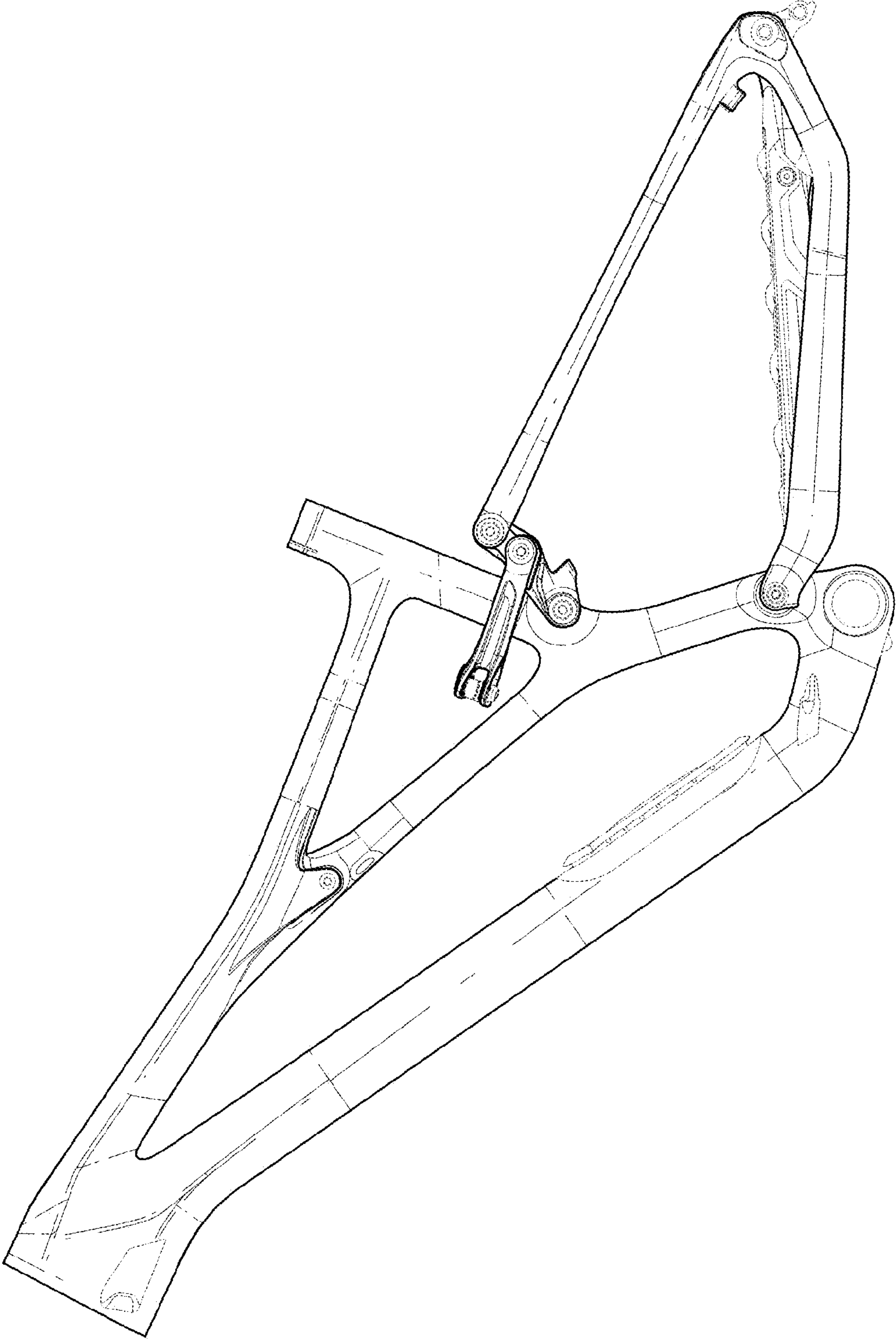


FIG. 3

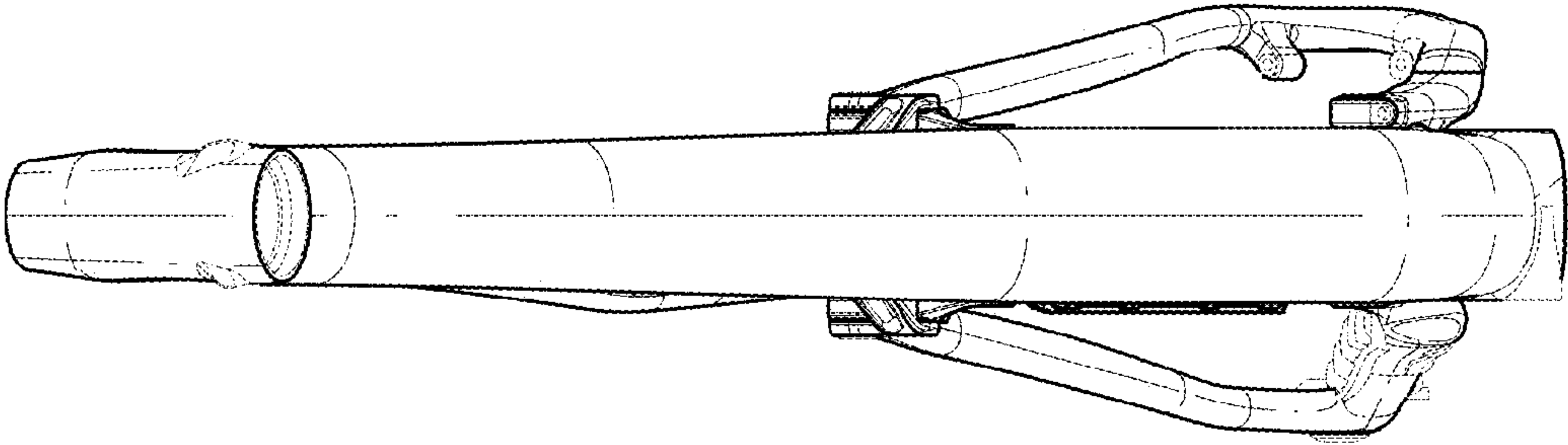


FIG. 5

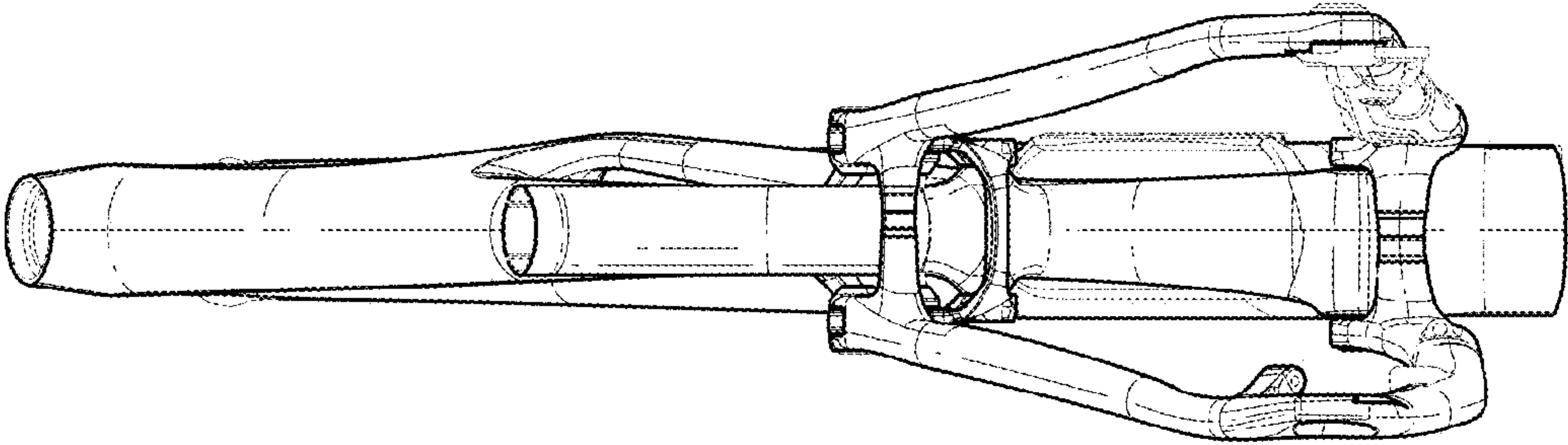


FIG. 4

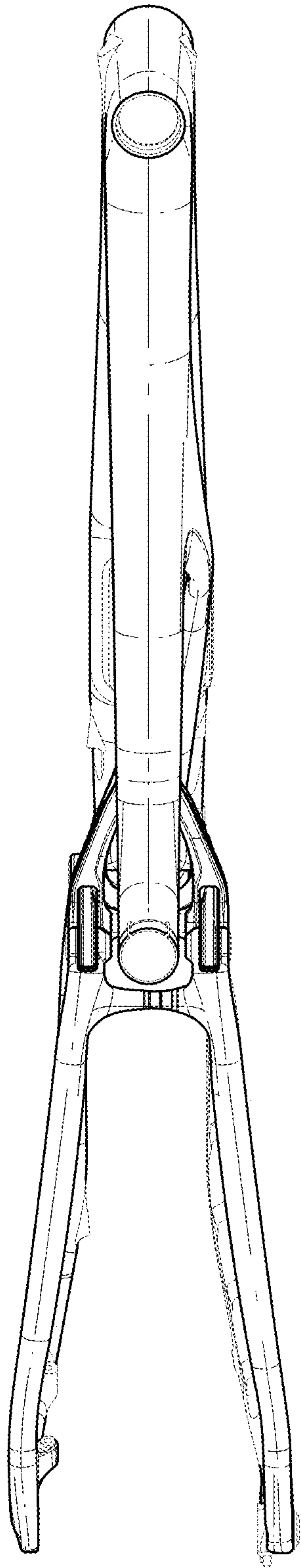


FIG. 6

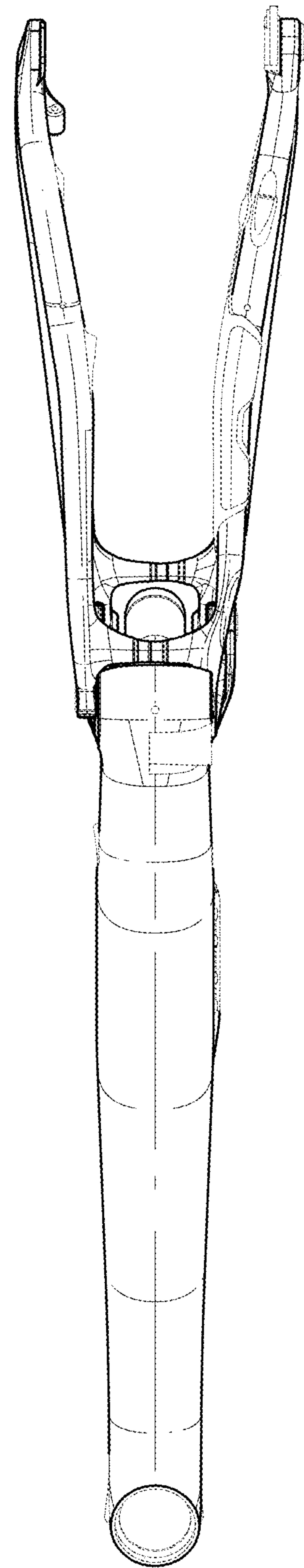


FIG. 7

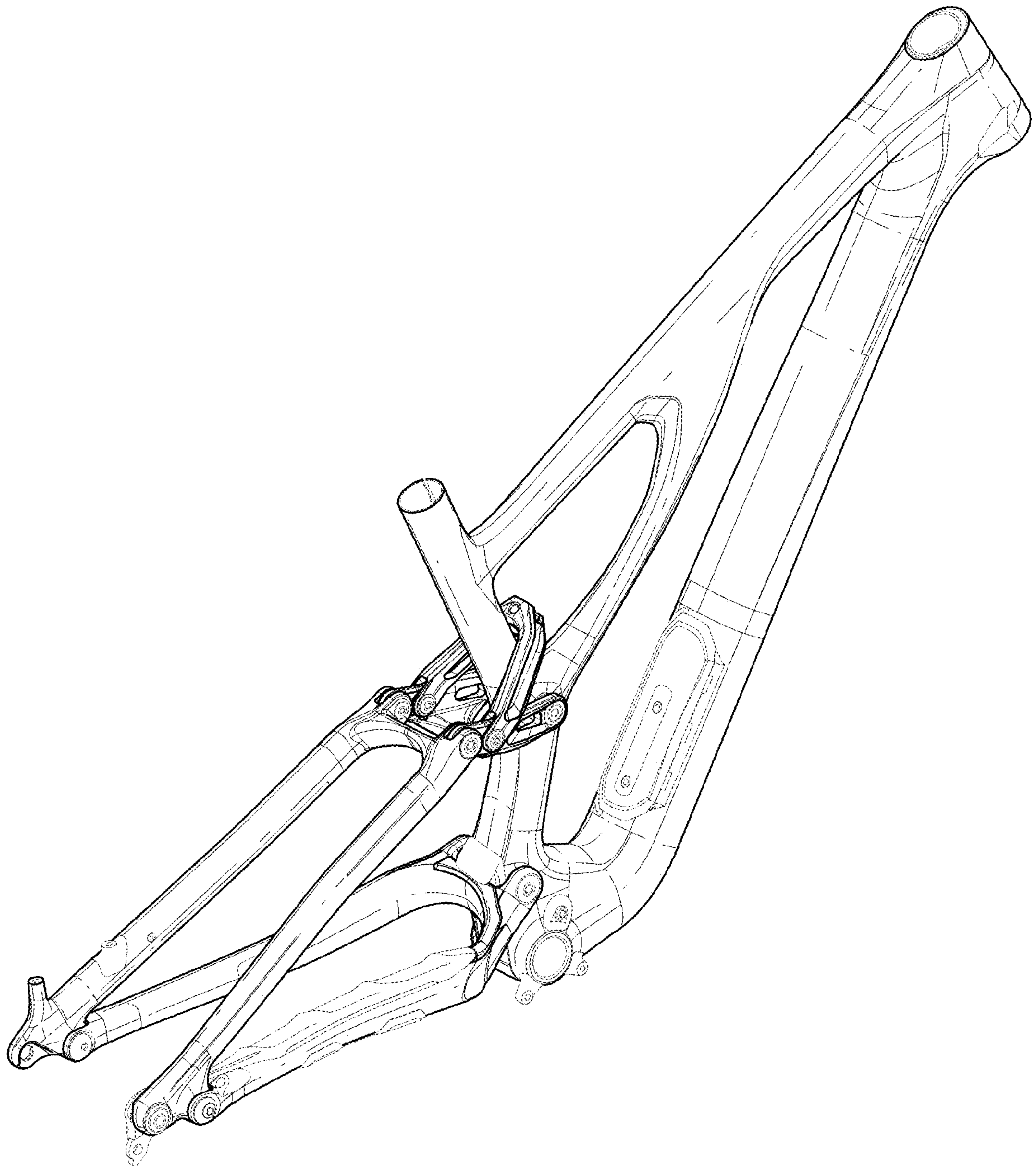


FIG. 8

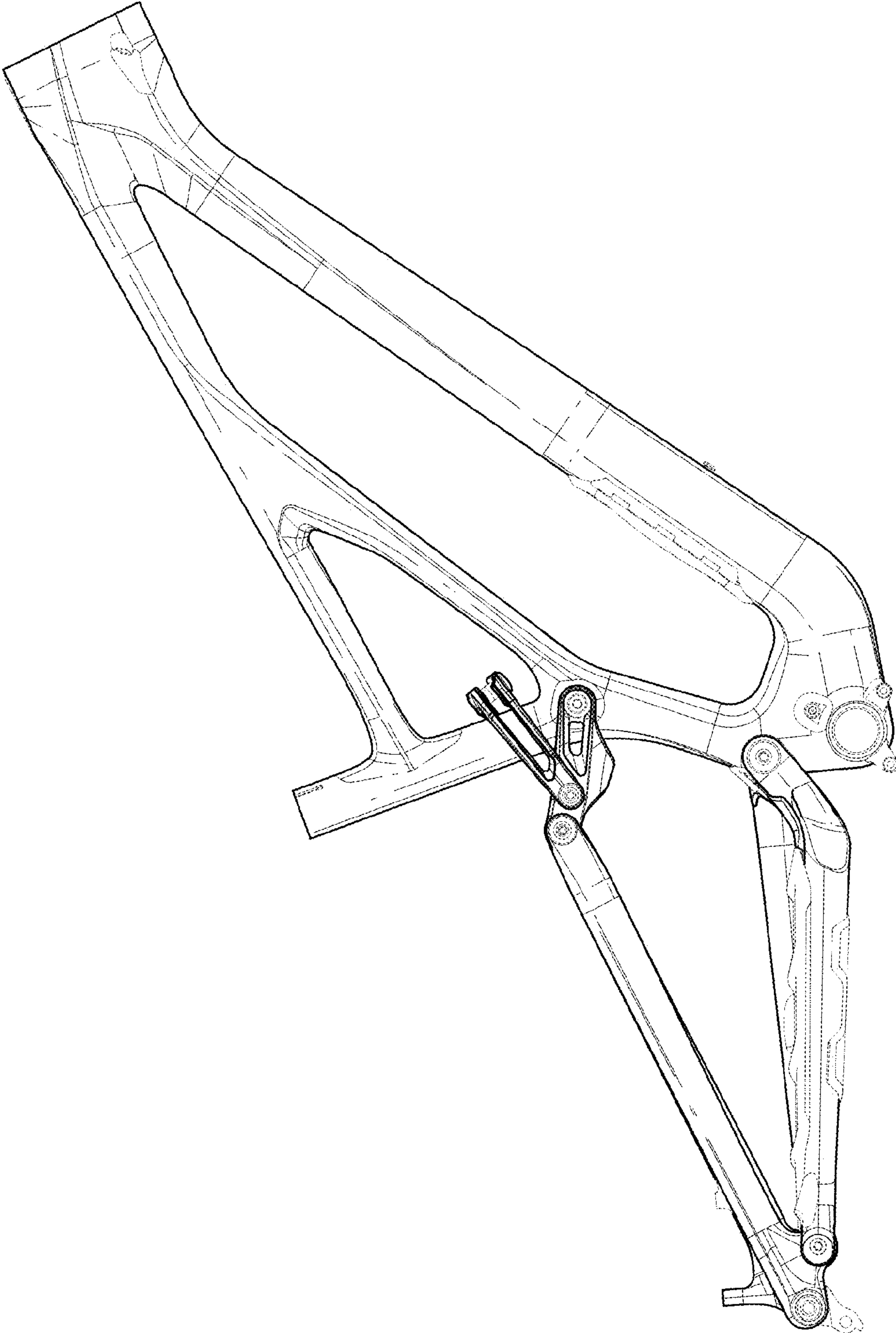


FIG. 9

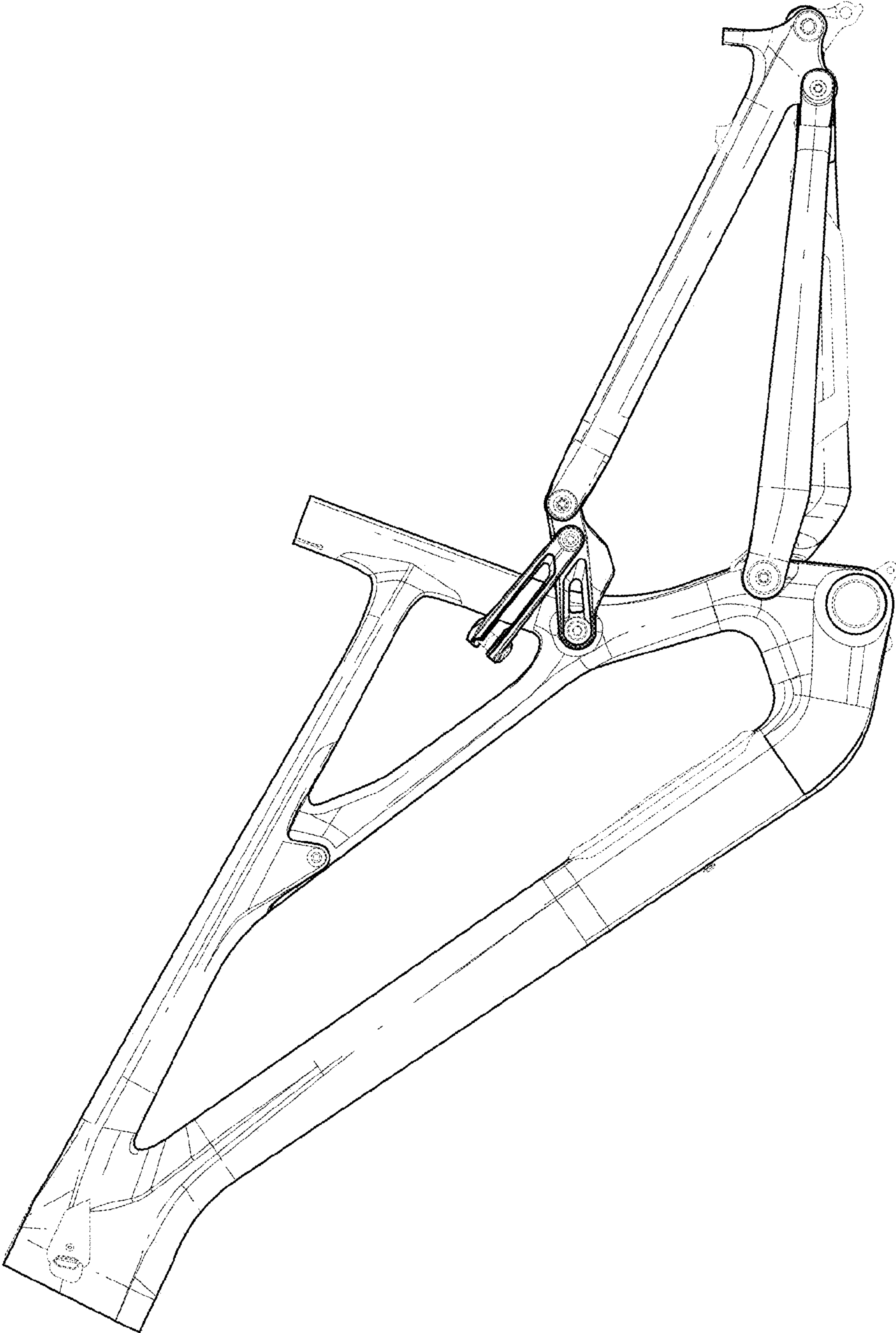


FIG. 10

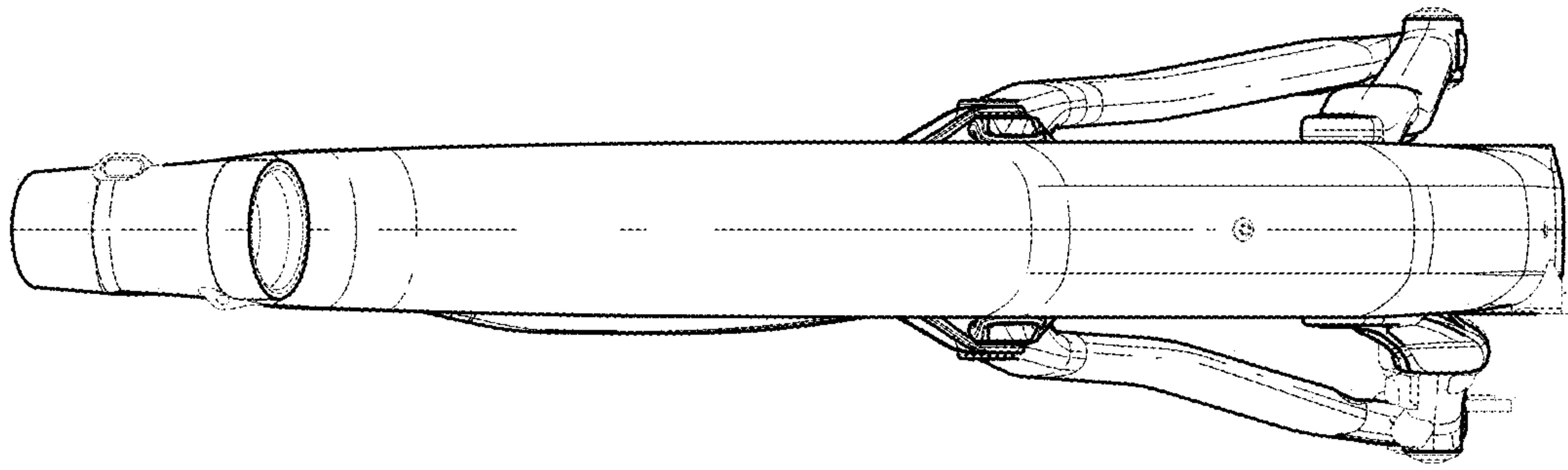


FIG. 11

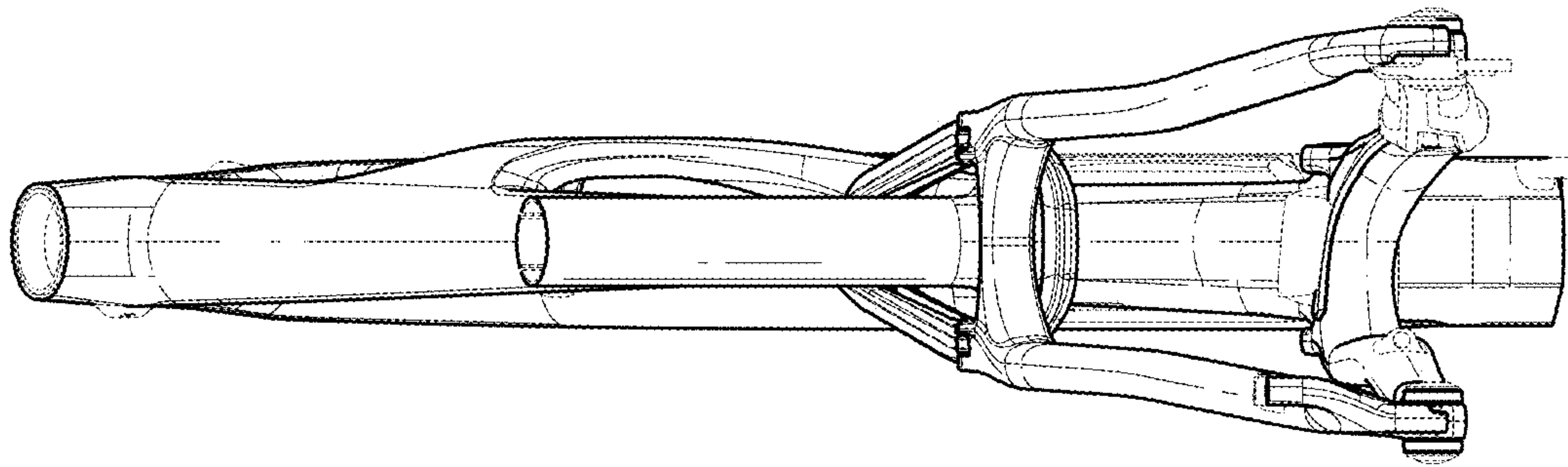


FIG. 12

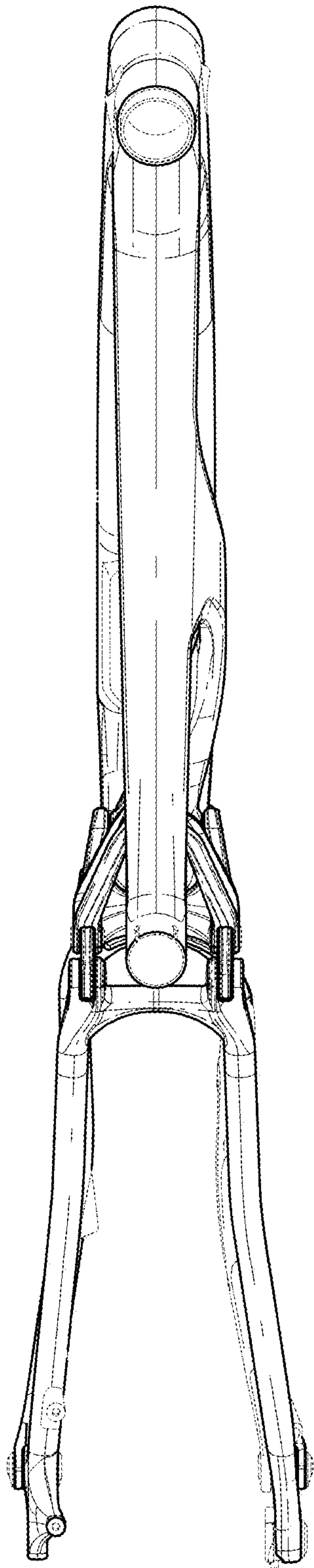


FIG. 13

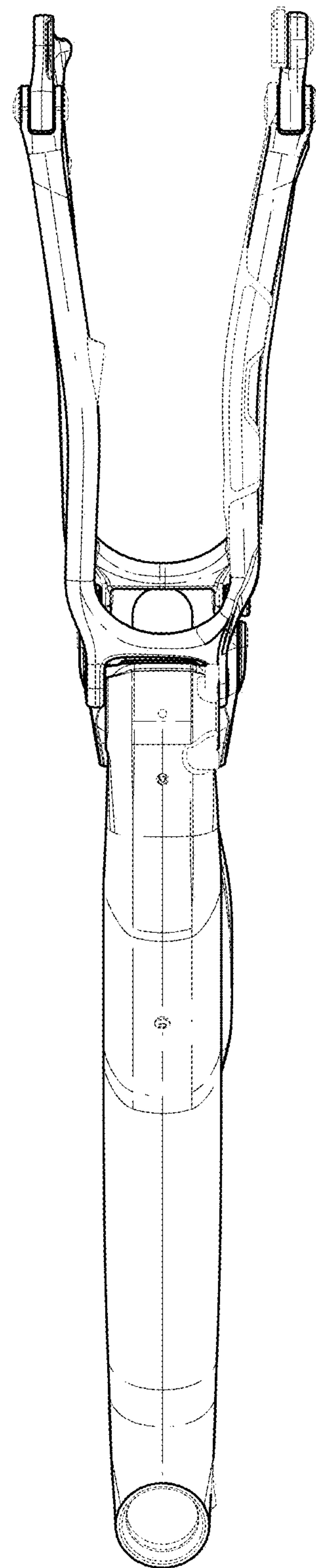


FIG. 14

UNITED STATES PATENT AND TRADEMARK OFFICE
CERTIFICATE OF CORRECTION

PATENT NO. : D958,702 S
APPLICATION NO. : 29/745352
DATED : July 26, 2022
INVENTOR(S) : Matthias Heiner Roman Segerer

Page 1 of 1

It is certified that error appears in the above-identified patent and that said Letters Patent is hereby corrected as shown below:

On the Title Page

Column 2, Line 2 under Description, delete "bicylc" and insert --bicycle--.

Column 2, Line 19 under Description, delete "fram" and insert --frame--.

On Page 2, Column 2, Line 58, delete "Rot" and insert --Legerot--.

Signed and Sealed this
Twentieth Day of December, 2022



Katherine Kelly Vidal
Director of the United States Patent and Trademark Office