



US00D958701S

(12) **United States Design Patent**
Tsuji et al.

(10) **Patent No.: US D958,701 S**
(45) **Date of Patent: ** Jul. 26, 2022**

(54) **MOTORCYCLE OR MOTORCYCLE
REPLICA**

(71) Applicant: **HONDA MOTOR CO., LTD.**, Tokyo
(JP)

(72) Inventors: **Ayumu Tsuji**, Wako (JP); **Takuma
Tsutsumi**, Wako (JP)

(73) Assignee: **HONDA MOTOR CO., LTD.**, Tokyo
(JP)

(**) Term: **15 Years**

(21) Appl. No.: **29/758,431**

(22) Filed: **Nov. 16, 2020**

(30) **Foreign Application Priority Data**

May 29, 2020 (JP) 2020-010604 D

(51) **LOC (13) Cl.** **12-11**

(52) **U.S. Cl.**
USPC **D12/110**

(58) **Field of Classification Search**
USPC D12/110, 111, 117; D21/432, 538
CPC B62K 11/00; B62K 11/02; B62K 11/04;
B62K 11/10; B62K 17/00; B62K 19/00;
B62K 2202/00

See application file for complete search history.

(56) **References Cited**

U.S. PATENT DOCUMENTS

D645,791 S *	9/2011	Lee	D12/110
D723,430 S *	3/2015	Schmidt	D12/110
D733,007 S *	6/2015	Futamata	D12/110
D734,216 S *	7/2015	Sasanami	D12/110
D735,085 S *	7/2015	Buckan	D12/110
D744,906 S *	12/2015	Song	D12/110
D753,552 S *	4/2016	McGinley	D12/110
D756,269 S *	5/2016	Hahn-Woernle	D12/110
D776,013 S *	1/2017	Kiska	D12/110
D776,575 S *	1/2017	Kiska	D12/110

D793,285 S *	8/2017	Toyama	D12/110
D796,384 S *	9/2017	Galluzzi	D12/110
D796,385 S *	9/2017	Galluzzi	D12/110
D800,608 S *	10/2017	Takizawa	D12/110
D809,431 S *	2/2018	Janyapanich	D12/110
D820,167 S *	6/2018	Aiello	D12/110

(Continued)

OTHER PUBLICATIONS

“2022 Honda Grom 125/A.” Honda., Oct. 8, 2020 [online], [retrieved on Apr. 5, 2022]. Retrieved from the Internet <URL: https://cdn.powersports.honda.com/documentum/MWOM/ml.remawmom.2022_grom125_owner_s_manual.pdf>.*

(Continued)

Primary Examiner — Darlington Ly

(74) *Attorney, Agent, or Firm* — Birch, Stewart, Kolasch & Birch, LLP

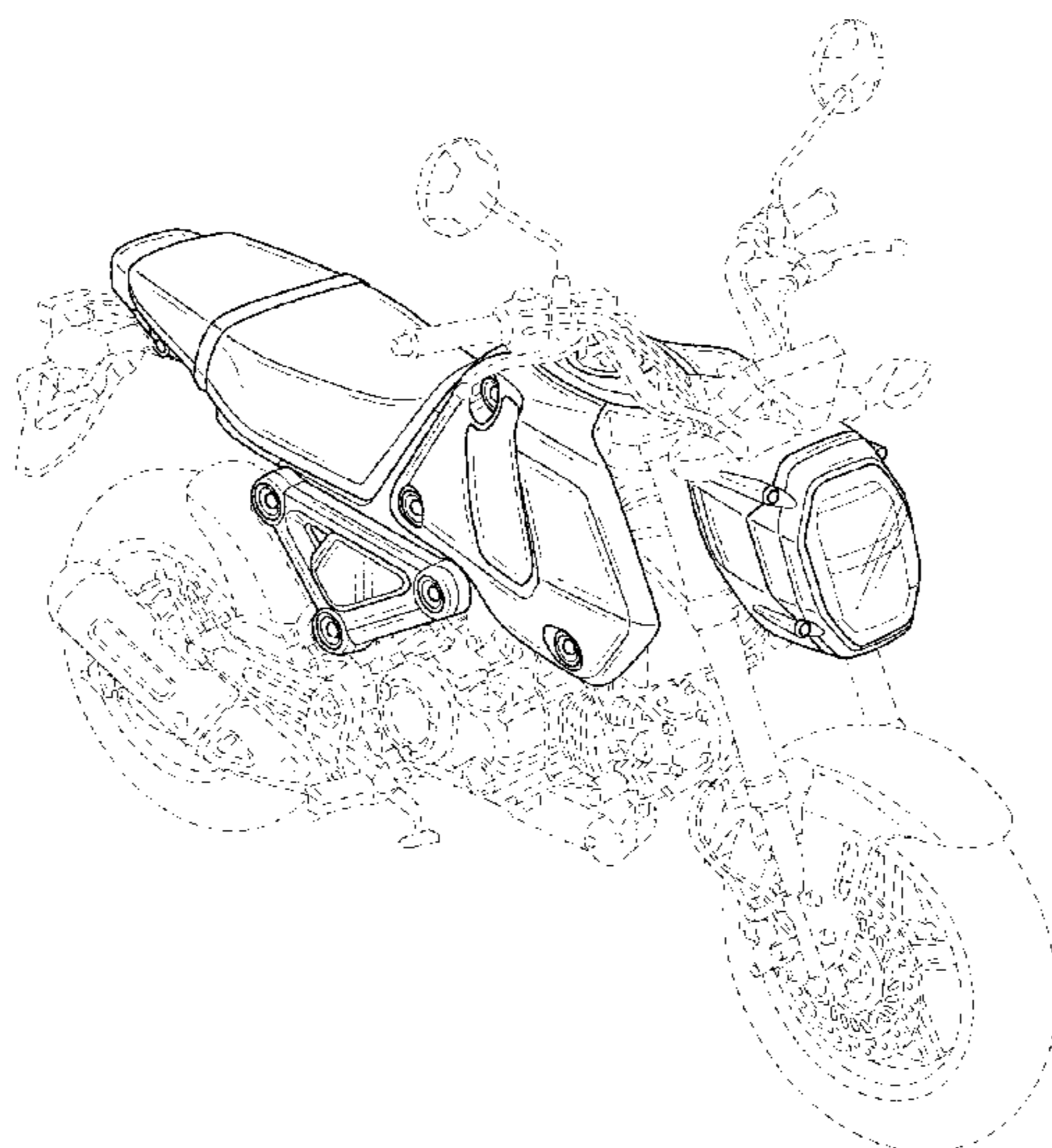
(57) **CLAIM**

The ornamental design for a motorcycle or motorcycle replica, as shown and described.

DESCRIPTION

FIG. 1 is a front and right side perspective view of a motorcycle or motorcycle replica embodying our new design;
FIG. 2 is a rear and right side perspective view thereof;
FIG. 3 is a front and left side perspective view thereof;
FIG. 4 is a rear and left side perspective view thereof;
FIG. 5 is a right side elevation view thereof;
FIG. 6 is a left side elevation view thereof;
FIG. 7 is a front elevation view thereof;
FIG. 8 is a rear elevation view thereof;
FIG. 9 is a top plan view thereof; and,
FIG. 10 is a bottom plan view thereof.
The broken lines shown in the drawings illustrate portions of the motorcycle or motorcycle replica that form no part of the claimed design.

1 Claim, 10 Drawing Sheets



(56)

References Cited

U.S. PATENT DOCUMENTS

D824,290 S * 7/2018 Sukkar D12/110
D828,230 S * 9/2018 Cammorata D12/110
D856,854 S * 8/2019 Tamura D12/110
D859,220 S * 9/2019 Kishi D12/110
D859,221 S * 9/2019 Shigihara D12/110
D878,971 S * 3/2020 Li D12/110
D880,365 S * 4/2020 McGinley D12/110
D880,366 S * 4/2020 Shedjale D12/110
D890,033 S * 7/2020 Carducci D12/110
D895,487 S * 9/2020 Richards D12/110
D911,879 S * 3/2021 Christoph D12/110
D940,008 S * 1/2022 Lou D12/110
2018/0257726 A1 * 9/2018 Bagnariol B62K 11/04
2020/0102041 A1 * 4/2020 Pelz F02M 35/10039

OTHER PUBLICATIONS

Greg Drevenstedt. "2022 Honda Grom | First Ride Review." Rider Motorcyclist at its Best., Aug. 3, 2021 [online], [retrieved on Apr. 5, 2022]. Retrieved from the Internet <URL: <https://ridermagazine.com/2021/08/03/2022-honda-grom-first-ride-review/>>.*

* cited by examiner

FIG. 1

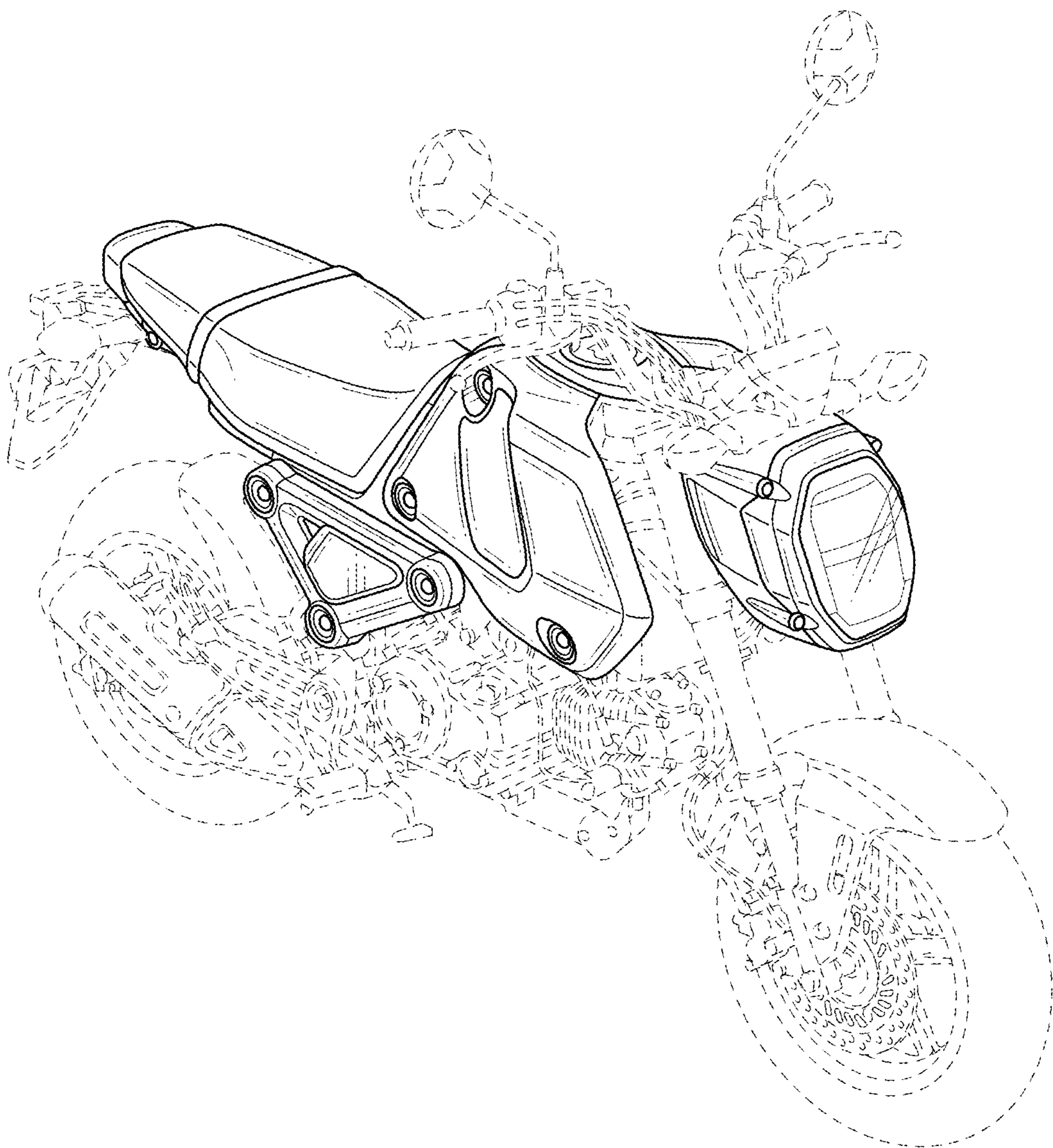


FIG. 2

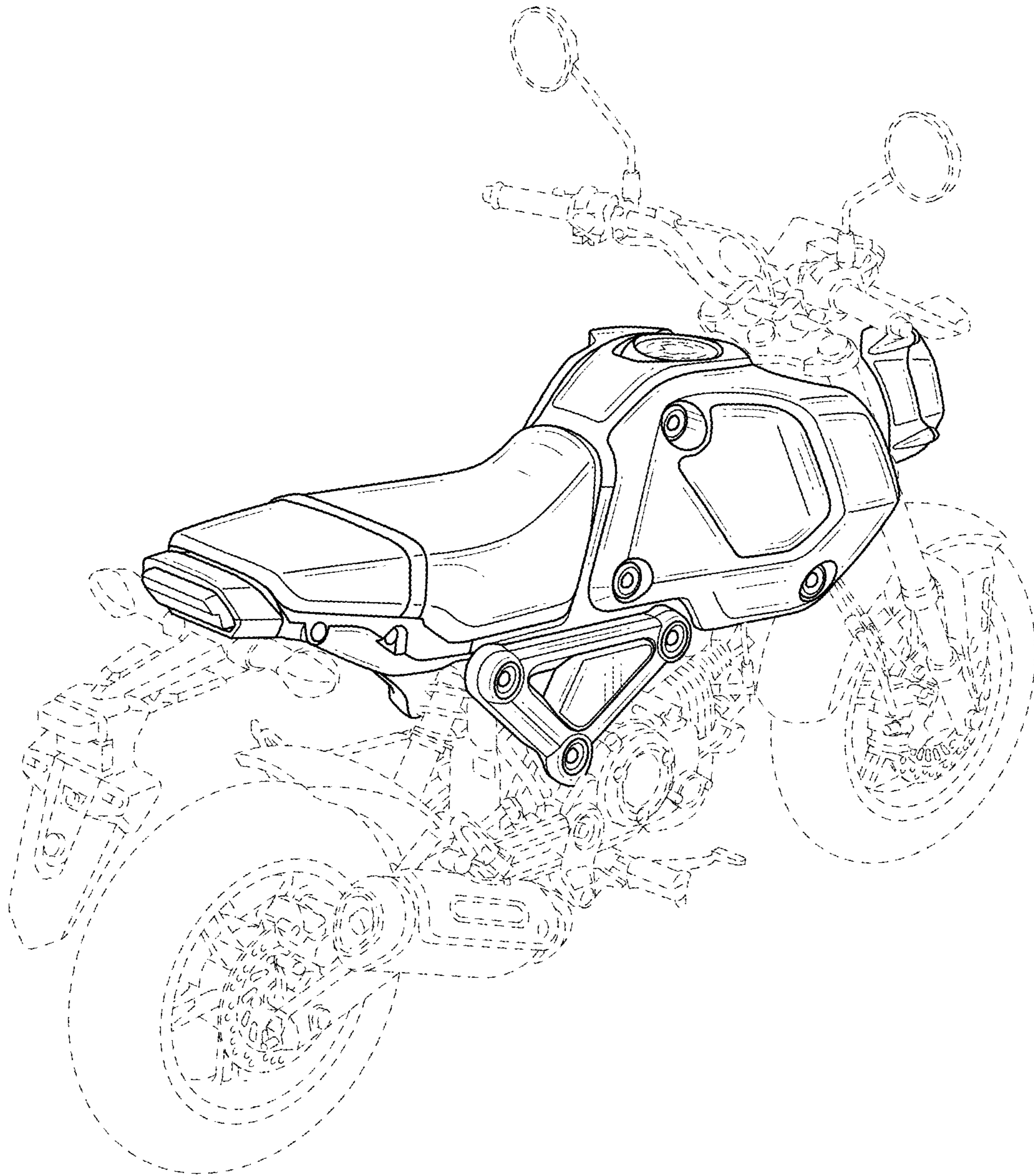


FIG. 3

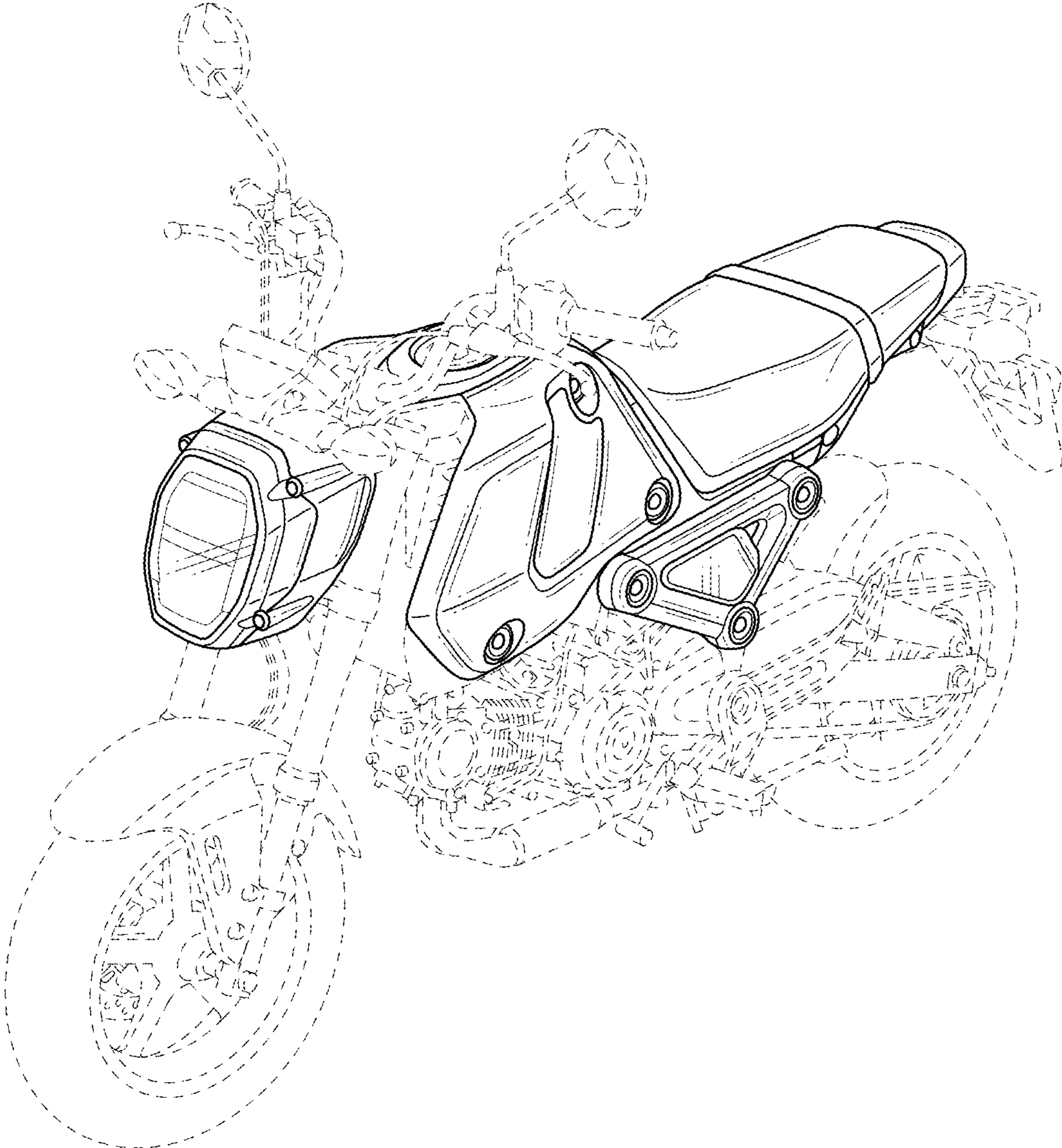


FIG. 4

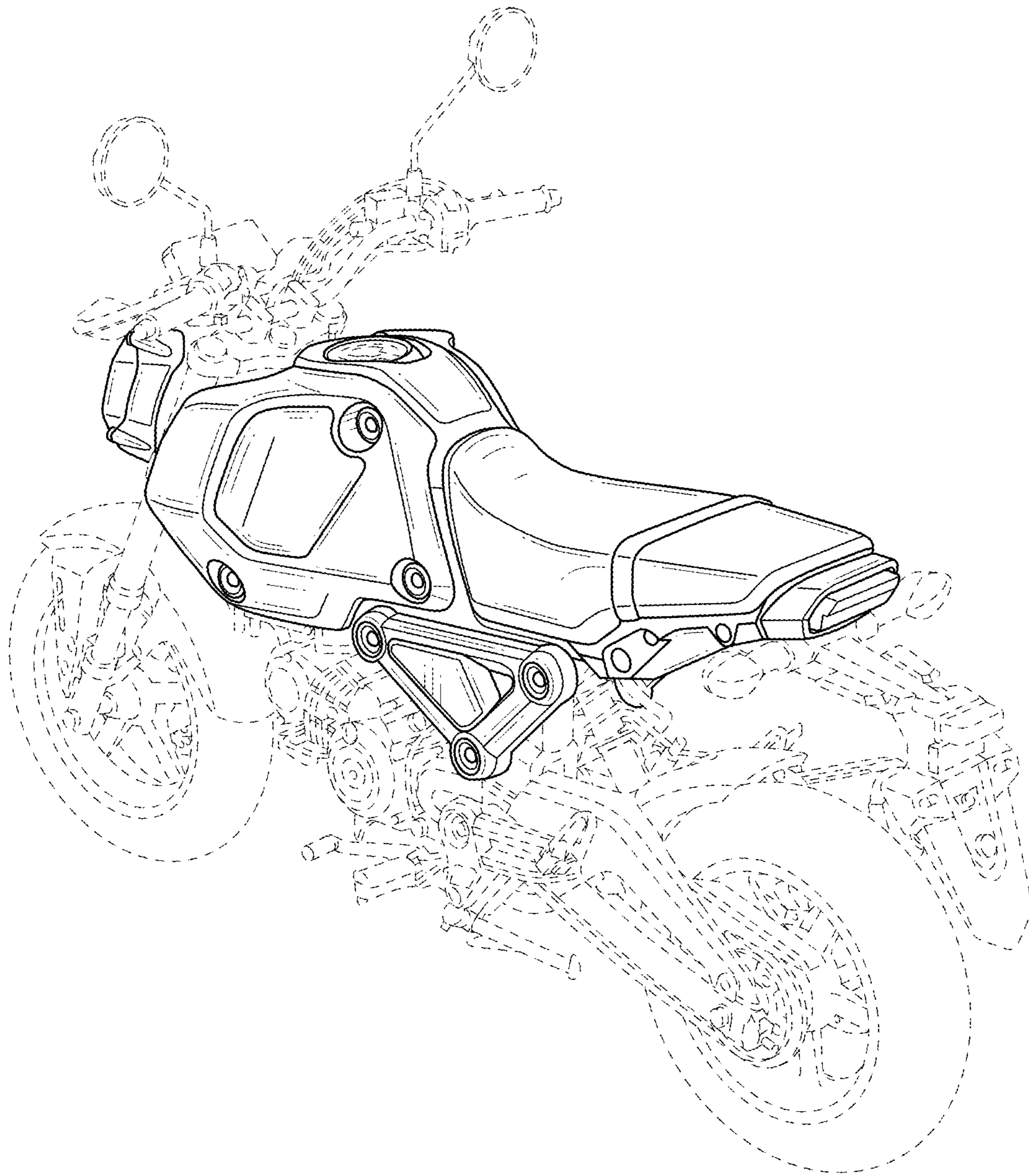


FIG. 5

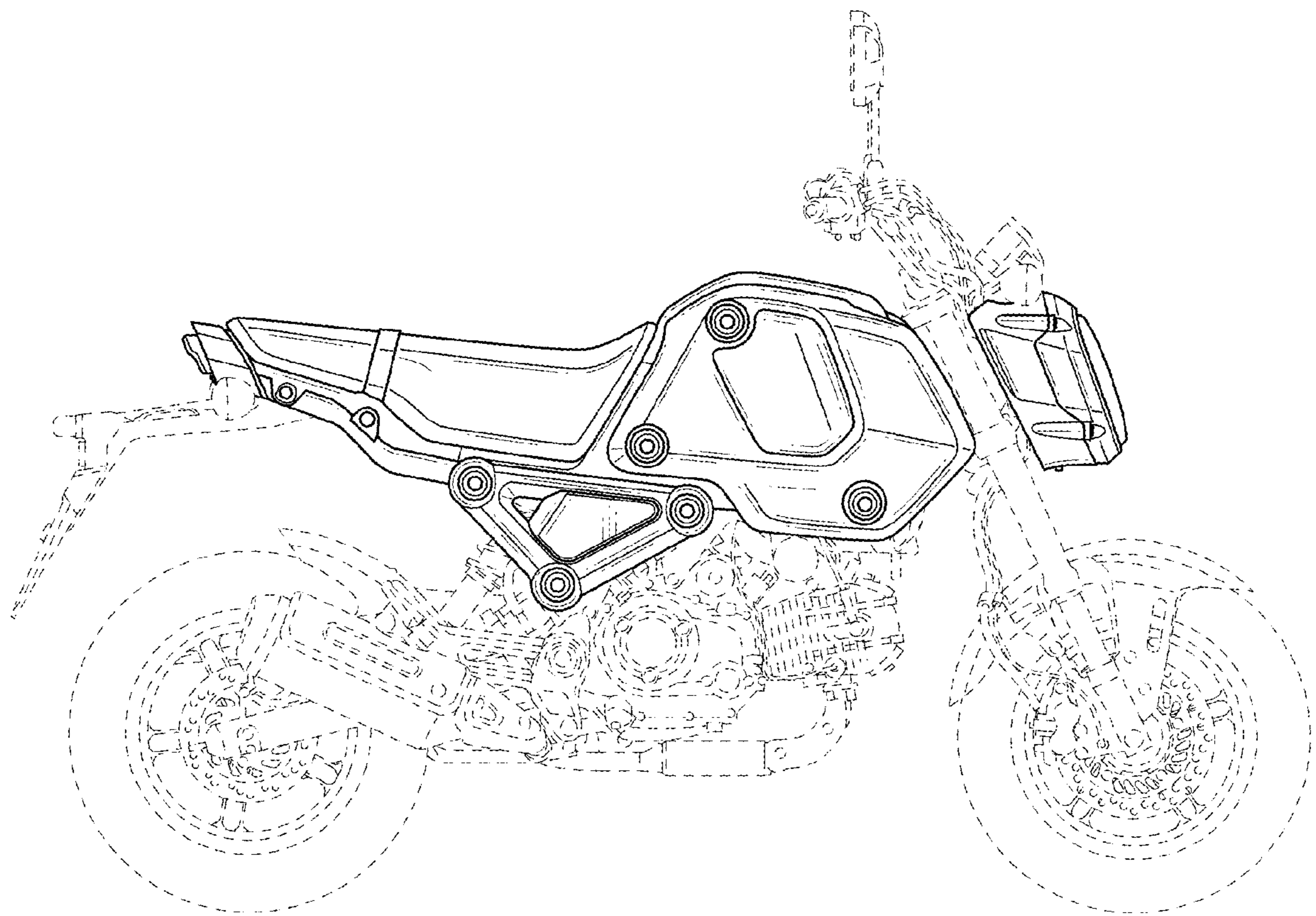


FIG. 6

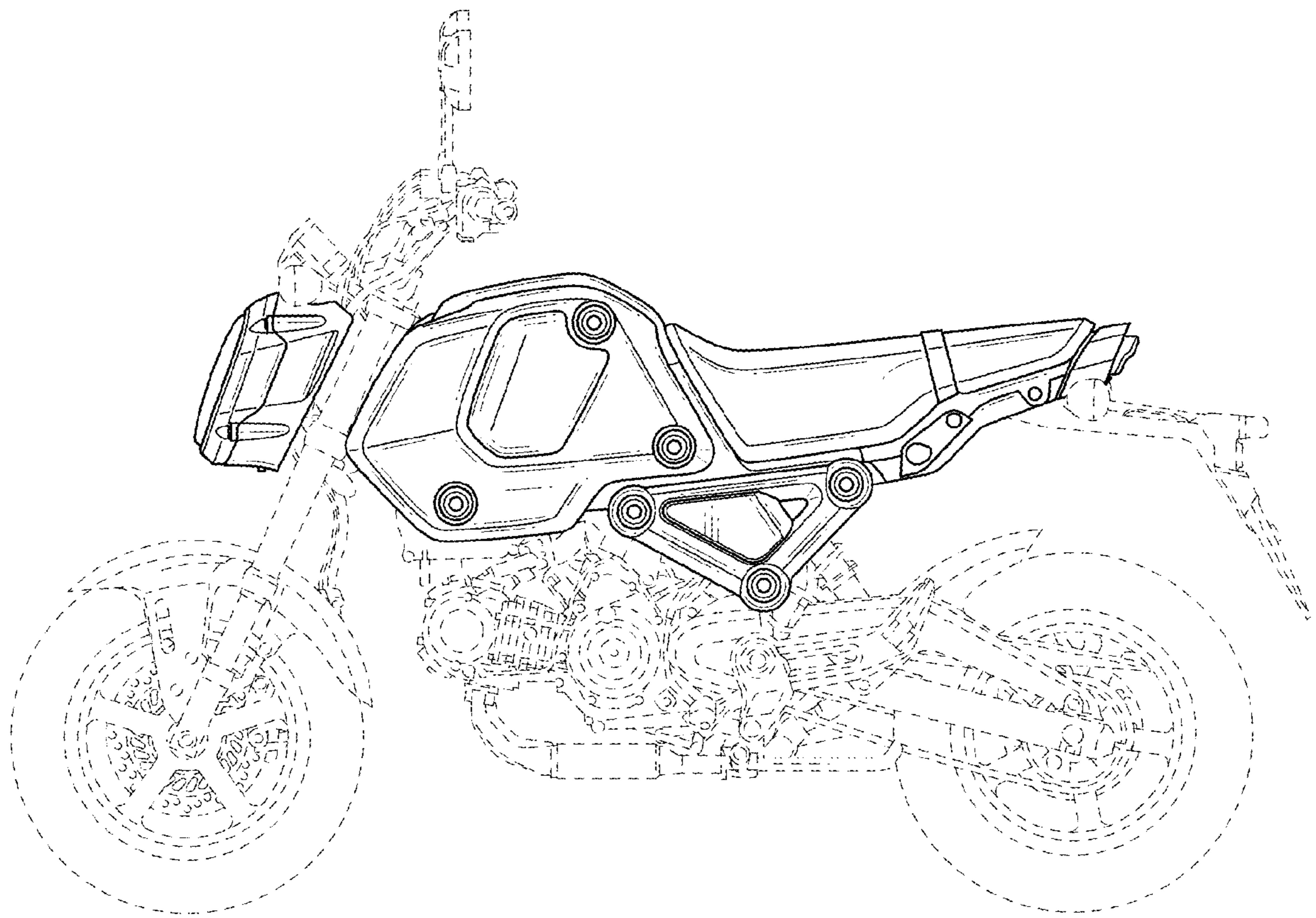


FIG. 7

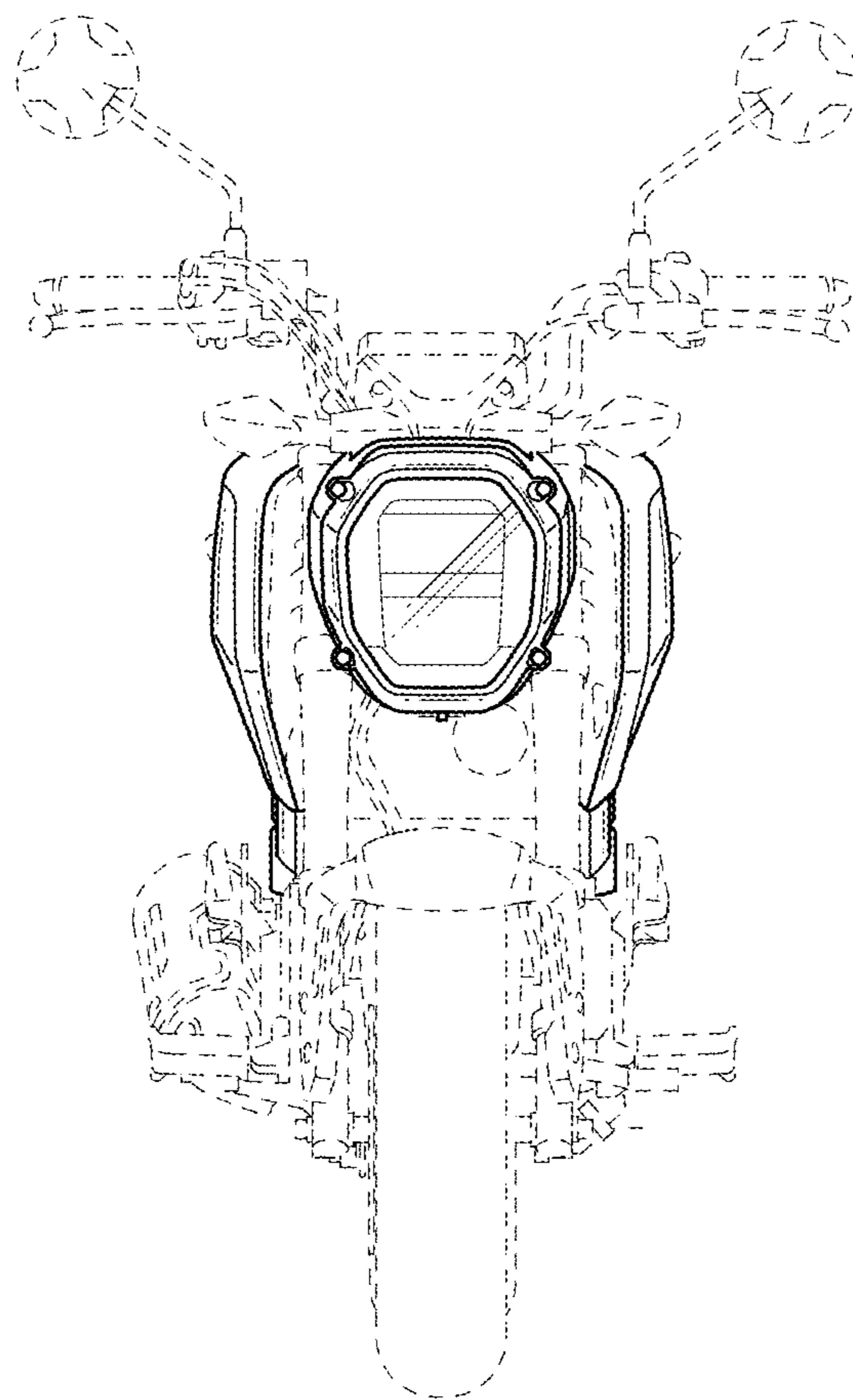


FIG. 8

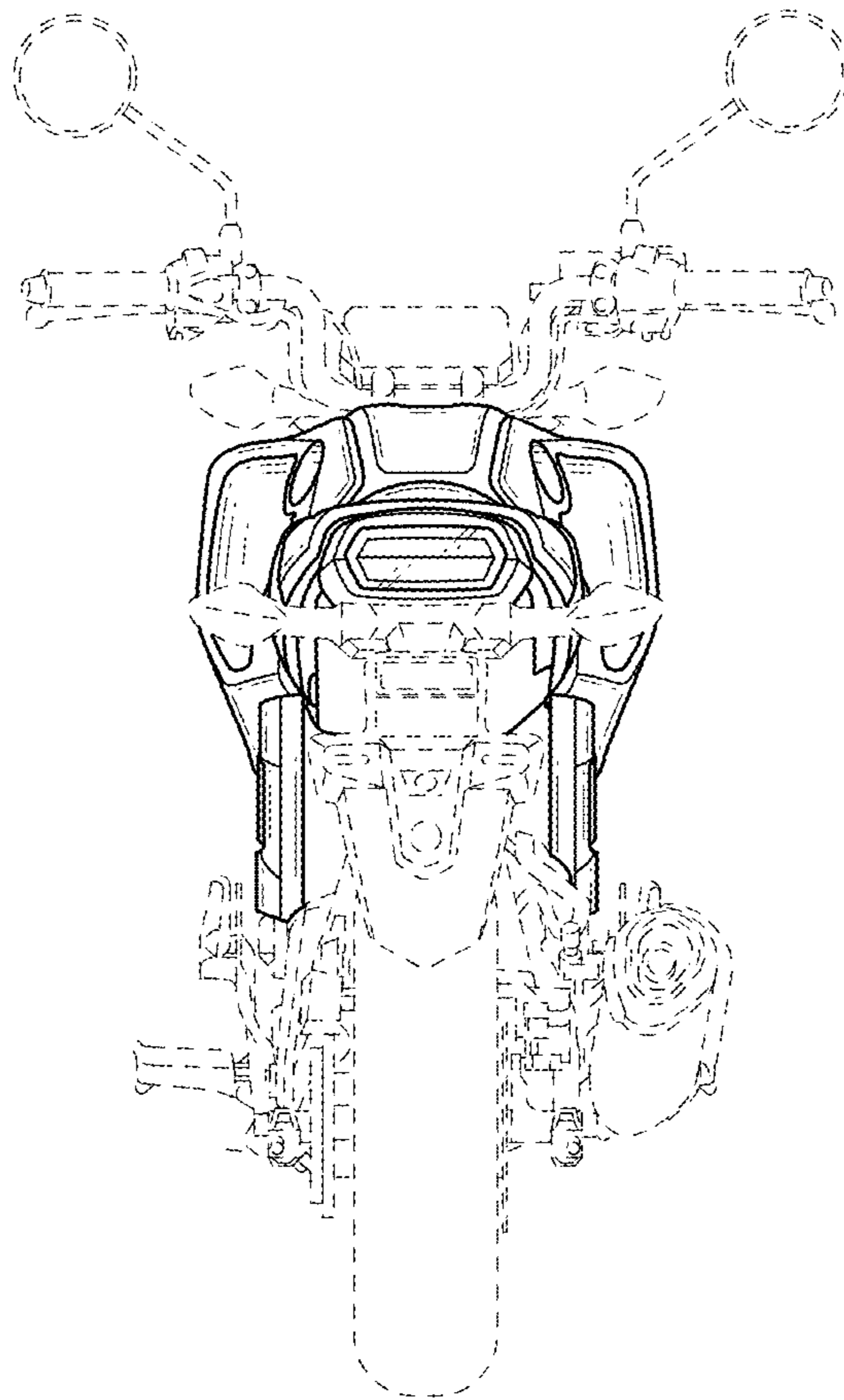


FIG. 9

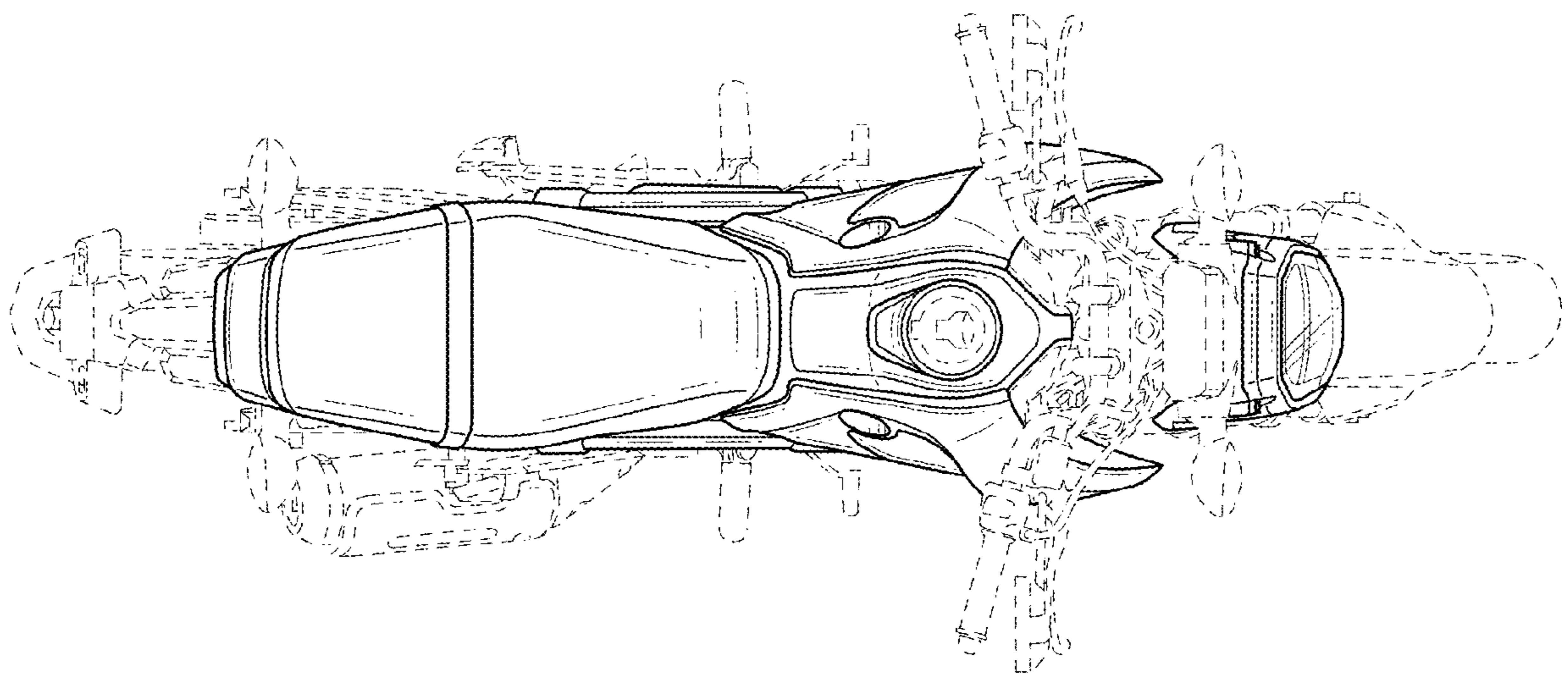


FIG. 10

