



US00D958699S

(12) **United States Design Patent**
Canaday

(10) **Patent No.:** **US D958,699 S**

(45) **Date of Patent:** **** Jul. 26, 2022**

(54) **CAMPING TRAILER**

(71) Applicant: **Tracey M. Canaday**, Denver, CO (US)

(72) Inventor: **Tracey M. Canaday**, Denver, CO (US)

(**) Term: **15 Years**

(21) Appl. No.: **29/801,573**

(22) Filed: **Jul. 29, 2021**

7,789,452 B2 *	9/2010	Dempsey	B60P 3/341
				296/173
D661,225 S *	6/2012	Lovett	D12/15
D733,005 S *	6/2015	Erwin	D12/101
D803,102 S *	11/2017	Pletcher	D12/101
D817,940 S *	5/2018	Baker	D14/242
D865,571 S *	11/2019	Reinero	D12/102
D868,633 S *	12/2019	Krenelka	D12/102
D875,612 S *	2/2020	Arter	D12/102
D888,616 S *	6/2020	Brawley	D12/102

* cited by examiner

Primary Examiner — Katrina A Betton

(74) *Attorney, Agent, or Firm* — Talus Law Group LLC

Related U.S. Application Data

(63) Continuation of application No. 29/731,413, filed on Apr. 15, 2020, now Pat. No. Des. 932,375.

(51) **LOC (13) Cl.** **12-16**

(52) **U.S. Cl.**
USPC **D12/106; D12/103**

(58) **Field of Classification Search**
USPC D12/19.129, 100–106, 19, 129, 111–112, D12/162; D21/425, 435; D34/21–26, 12, D34/16–19, 31

CPC . B62D 35/02; B62D 35/00; B60P 3/10; B60P 3/1033; A62B 3/005

See application file for complete search history.

(56) **References Cited**

U.S. PATENT DOCUMENTS

D326,629 S *	6/1992	Holler	D12/102
D464,916 S *	10/2002	Golenz	D12/102
D566,624 S *	4/2008	Dempsey	D12/105
D566,625 S *	4/2008	Dempsey	D12/105

(57) **CLAIM**

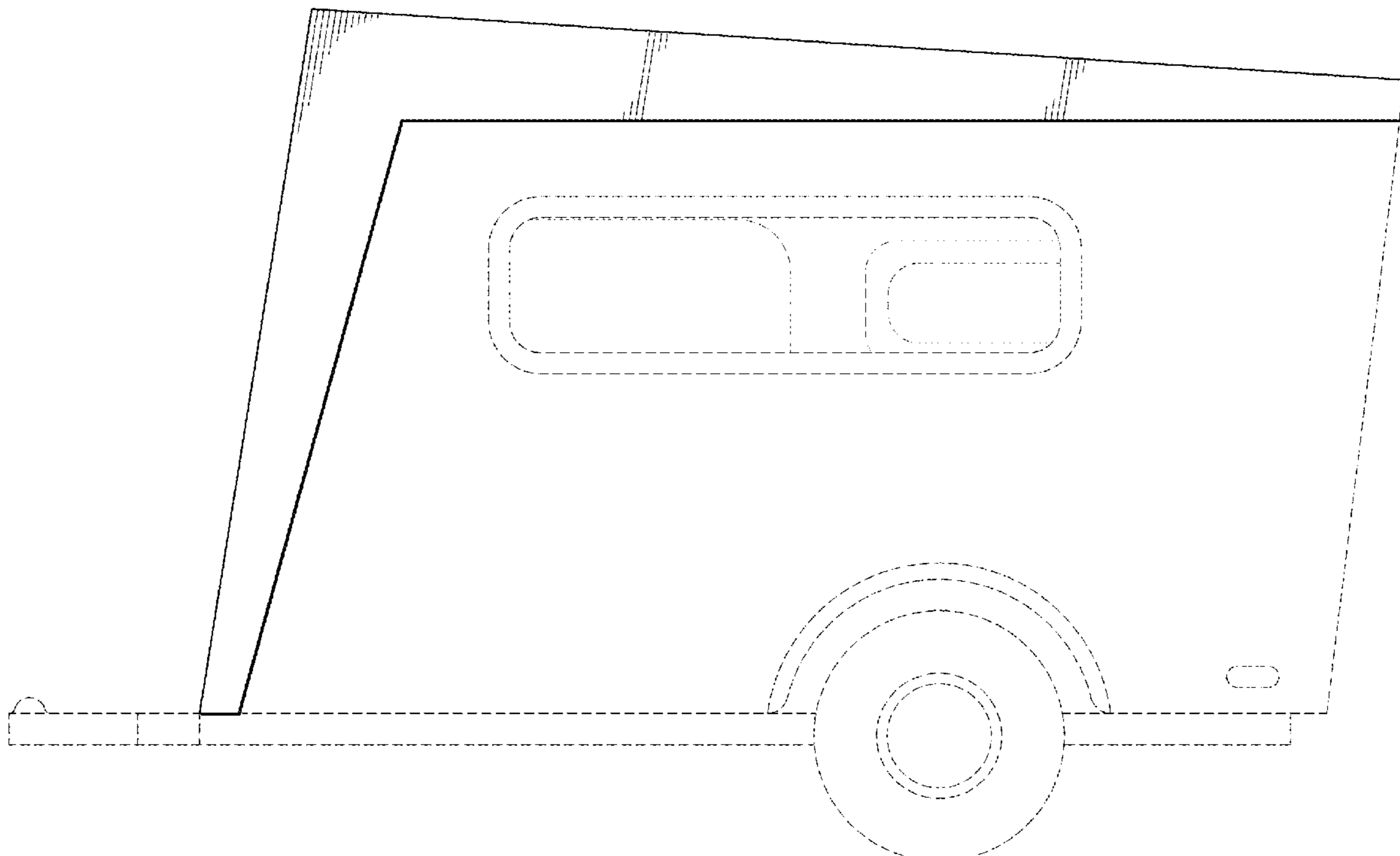
The ornamental design for a camping trailer, as shown and described.

DESCRIPTION

FIG. 1 is a front perspective view of the camp trailer showing the new design;
 FIG. 2 is a front elevation view thereof;
 FIG. 3 is a rear elevation view thereof;
 FIG. 4 is a right side elevation view thereof;
 FIG. 5 is a left side elevation view thereof;
 FIG. 6 is a top view thereof;
 FIG. 7 is a bottom view thereof; and,
 FIG. 8 is a rear perspective view thereof.

The broken lines in the accompanying drawings refer to environmental structures and form no part of the claimed design.

1 Claim, 8 Drawing Sheets



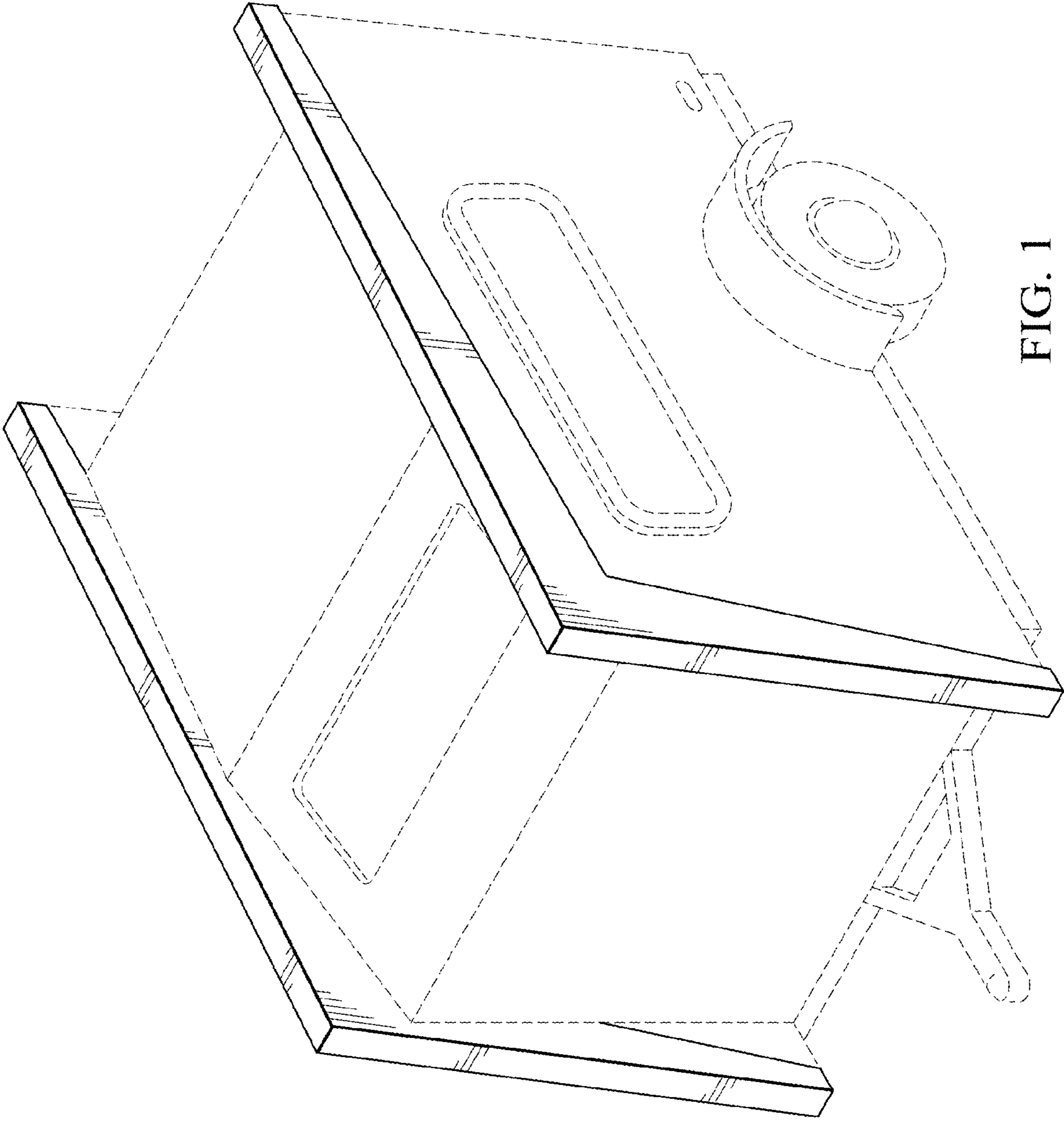


FIG. 1

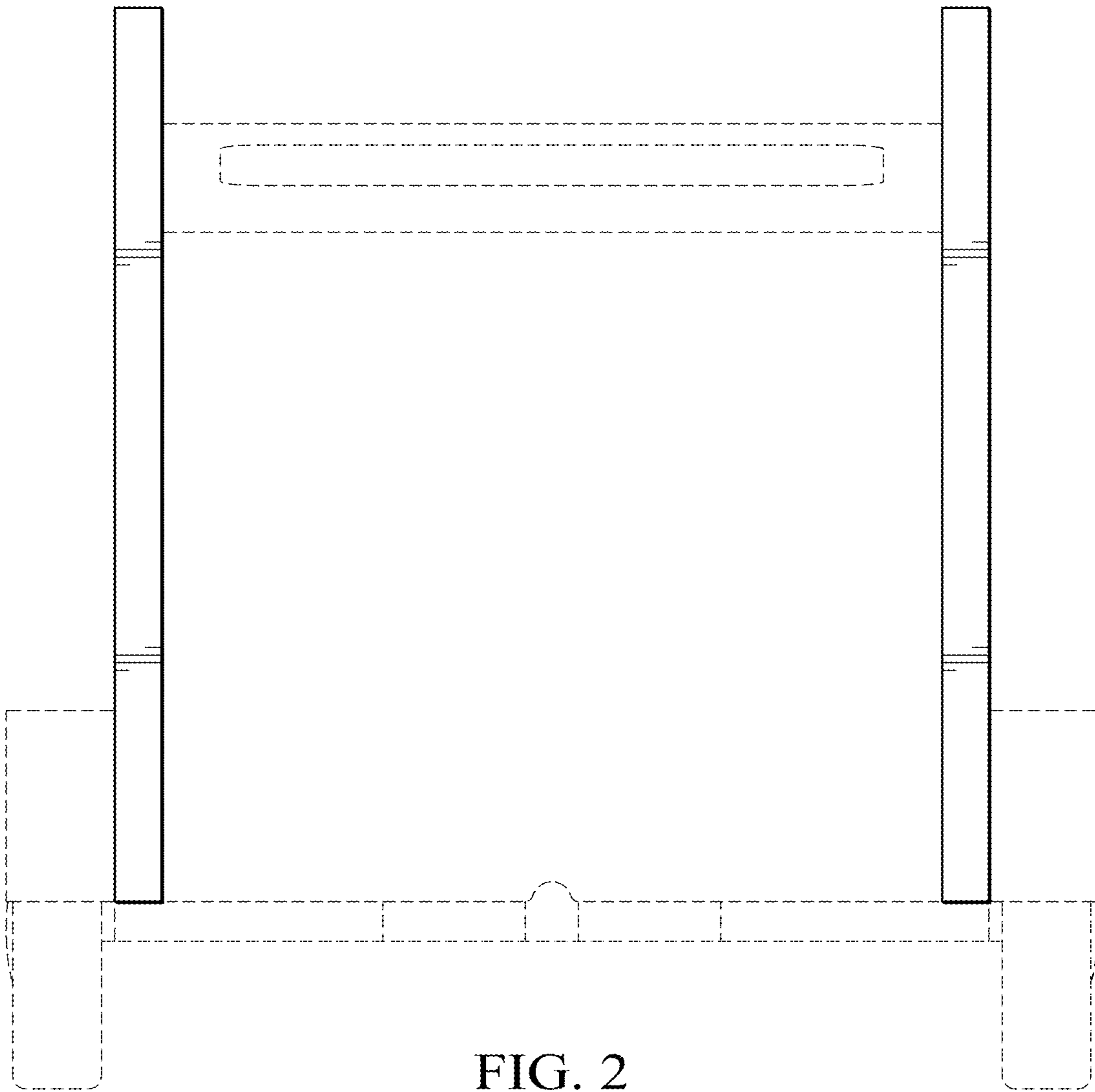


FIG. 2

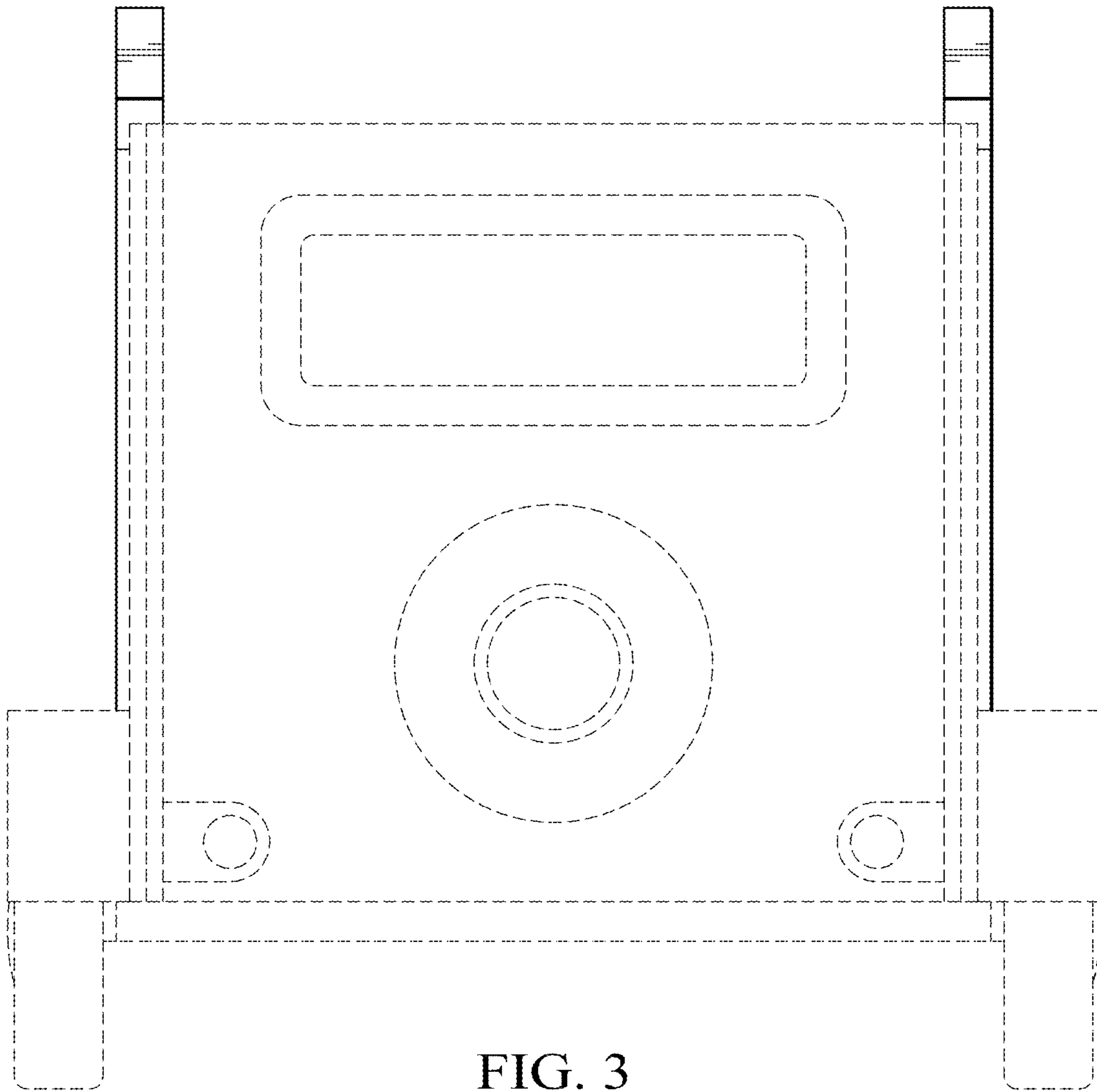


FIG. 3

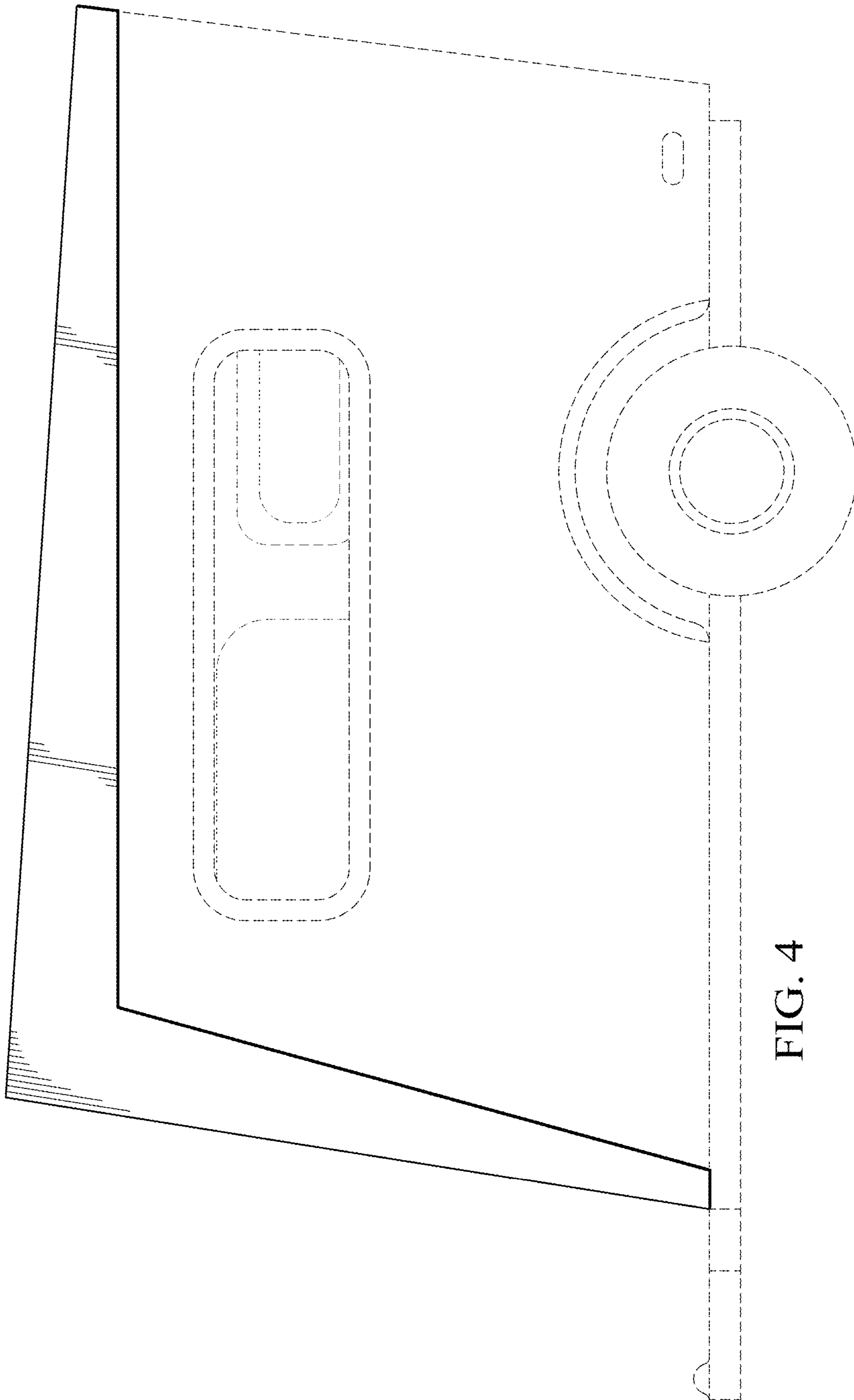


FIG. 4

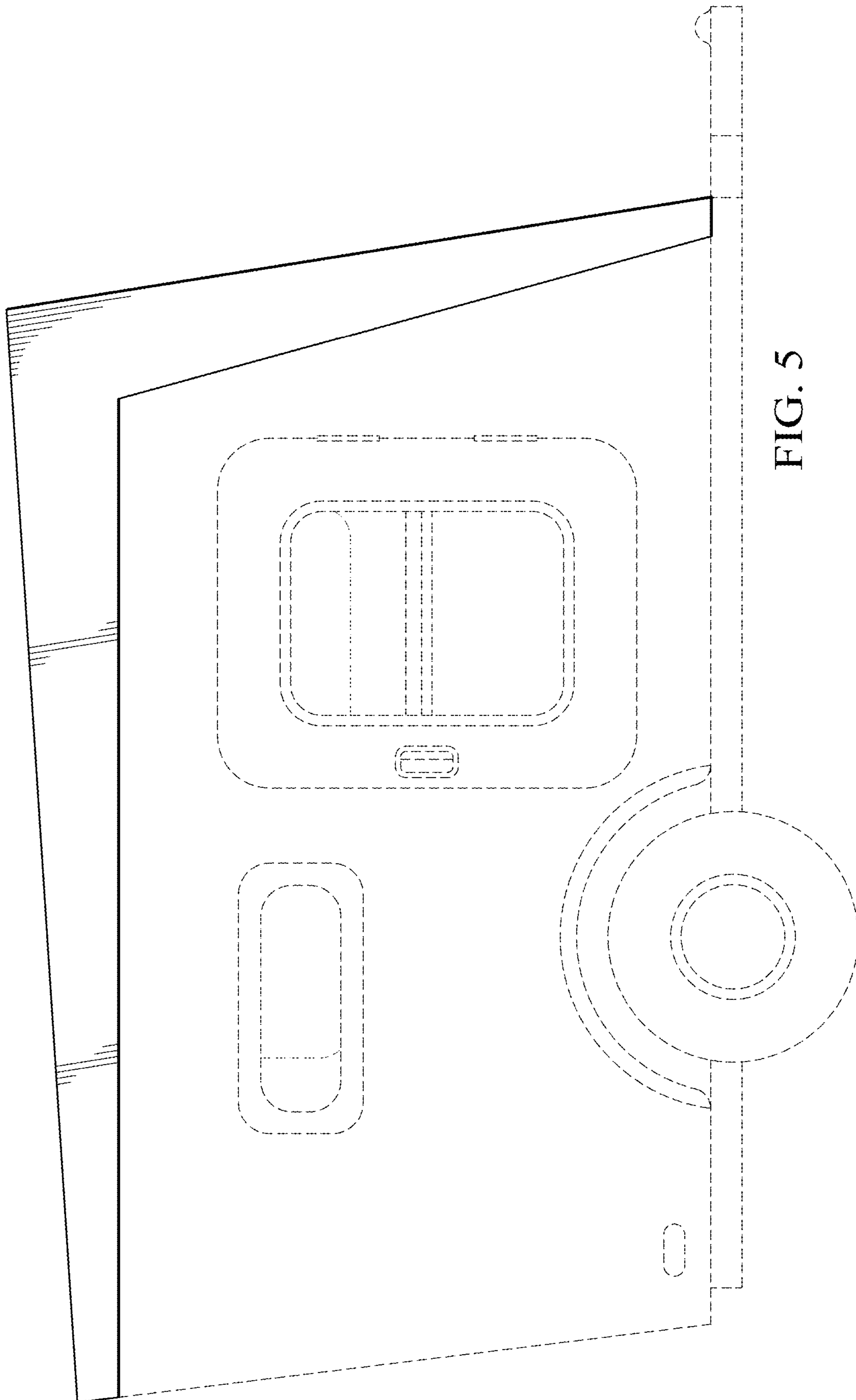


FIG. 5

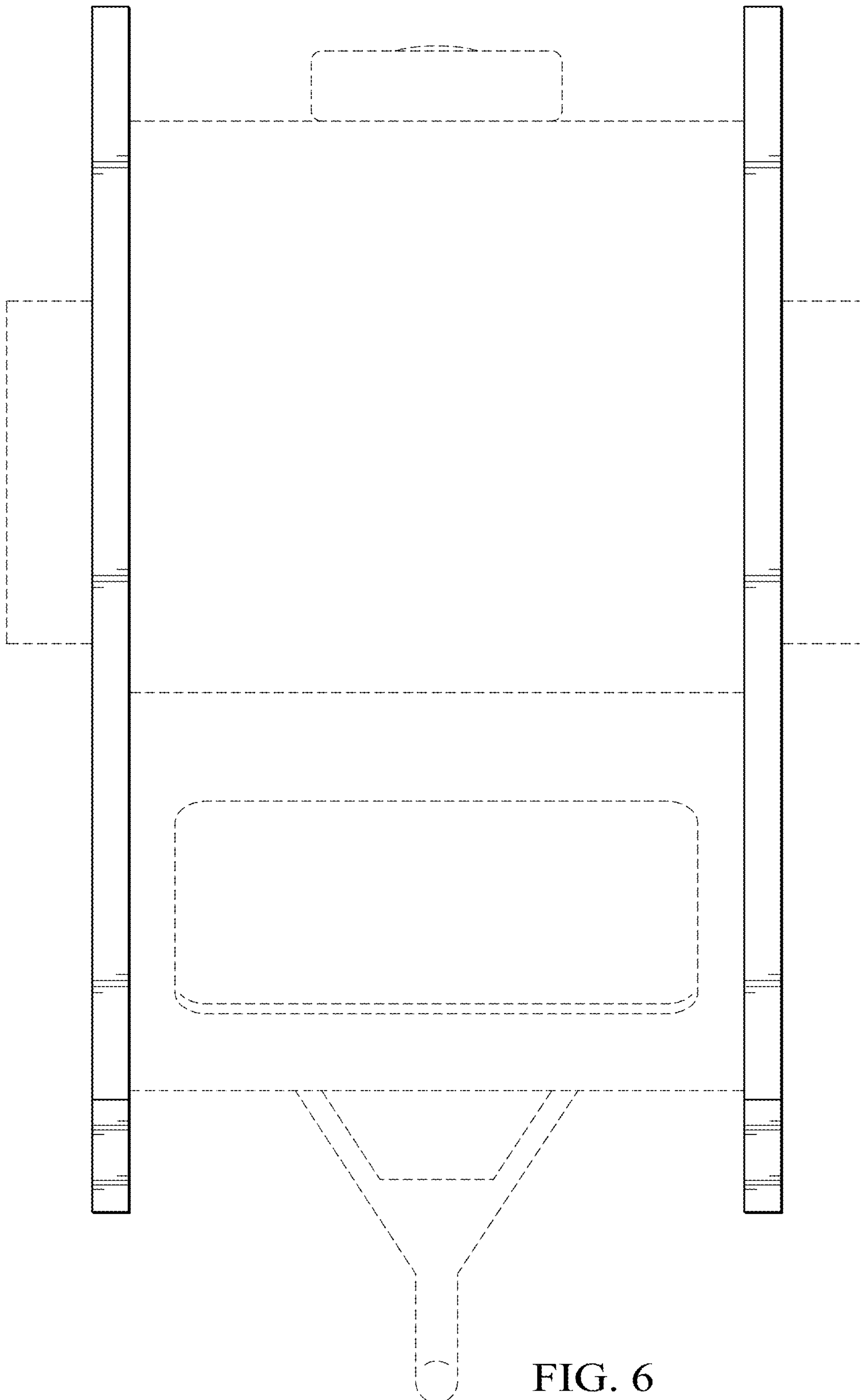


FIG. 6

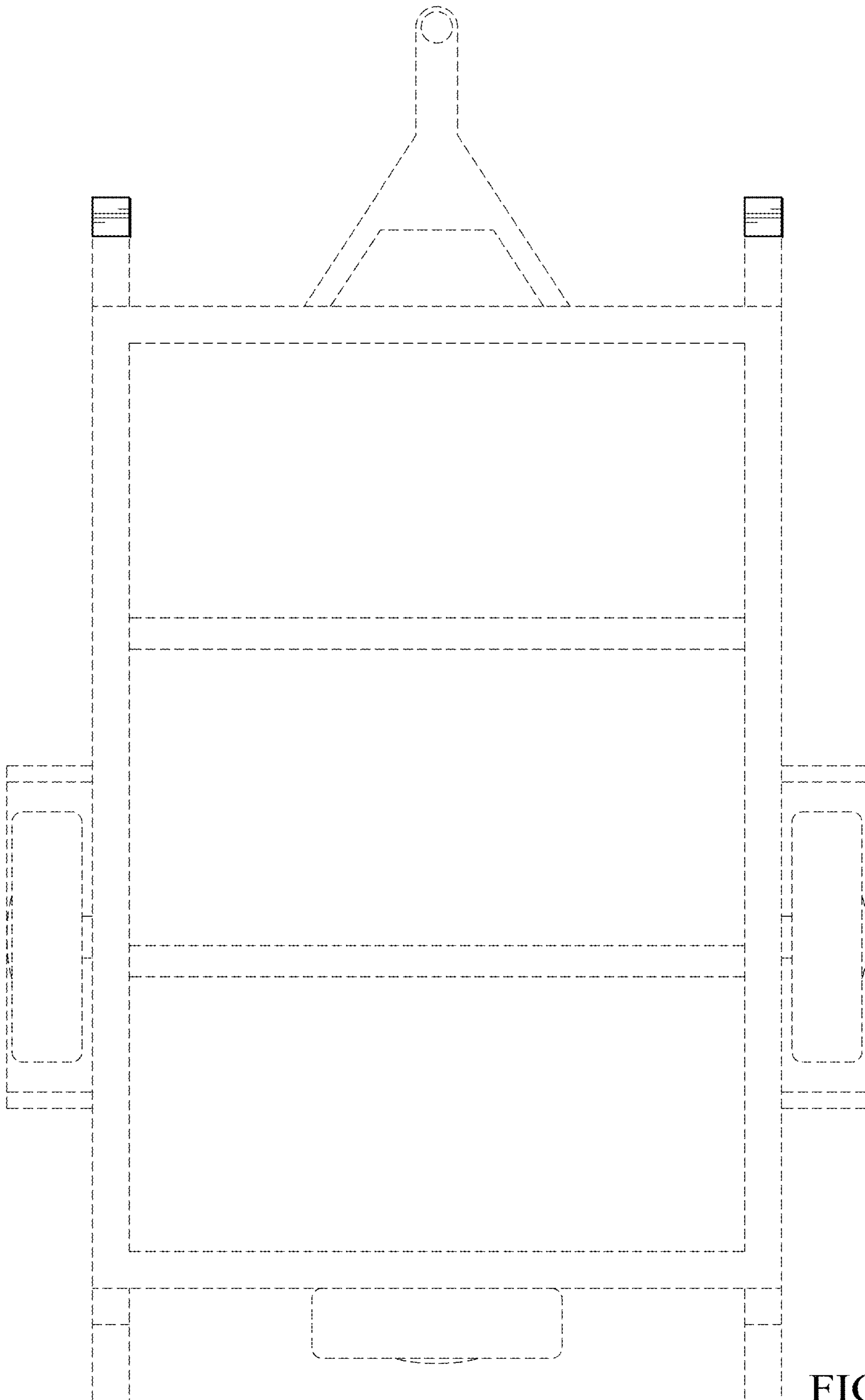


FIG. 7

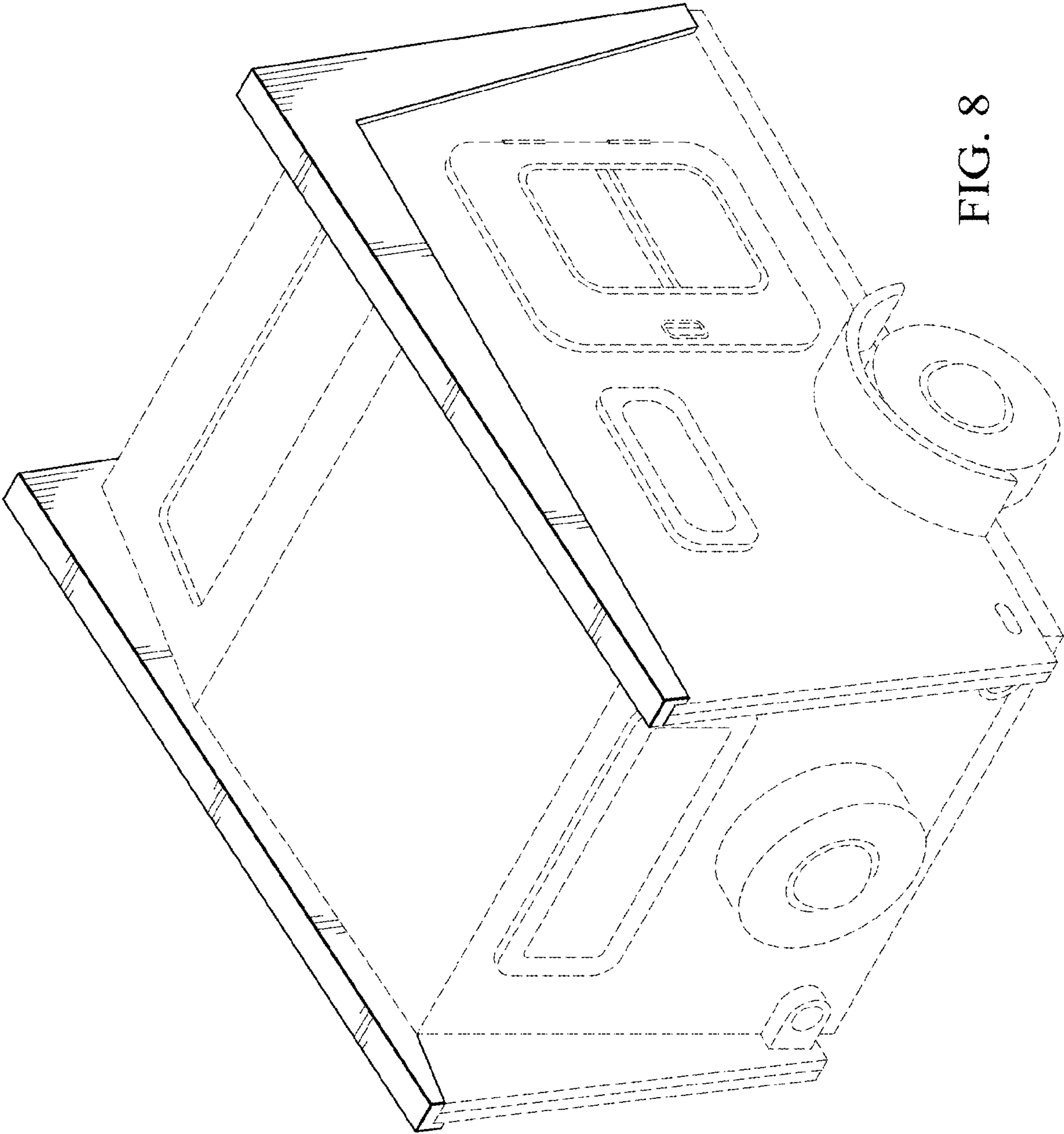


FIG. 8