



US00D958696S

(12) **United States Design Patent**
Karakas

(10) **Patent No.:** **US D958,696 S**
(45) **Date of Patent:** **** Jul. 26, 2022**

- (54) **AUTOMOBILE BODY**
- (71) Applicant: **TÜRKİYE’NİN OTOMOBİLİ GİRİŞİM GRUBU SANAYİ VE TİCARET A.Ş., Kocaeli (TR)**
- (72) Inventor: **Mehmet Gürcan Karakas, Kocaeli (TR)**
- (73) Assignee: **TURKIYE’NİN OTOMOBİLİ GIRISIM GRUBU SANAYI VE TICARET A.S., Kocaeli (TR)**

| | | | | |
|--------------|---------|-------------|-------|--------|
| D765,545 S * | 9/2016 | Oh | | D12/91 |
| D776,007 S * | 1/2017 | An | | D12/91 |
| D780,066 S * | 2/2017 | Sterner | | D12/91 |
| D788,643 S * | 6/2017 | Bucher | | D12/91 |
| D788,645 S * | 6/2017 | Mueller | | D12/91 |
| D800,605 S * | 10/2017 | Lan | | D12/91 |
| D815,988 S * | 4/2018 | Guo | | D12/92 |
| D820,730 S * | 6/2018 | Wang | | D12/91 |
| D867,213 S * | 11/2019 | Lan | | D12/91 |
| D872,650 S * | 1/2020 | Tomasson | | D12/91 |
| D888,615 S * | 6/2020 | Badstuebner | | D12/91 |
| D898,619 S * | 10/2020 | Hirzel | | D12/91 |
| D906,440 S * | 12/2020 | Sterner | | D12/91 |

* cited by examiner

(**) Term: **15 Years**

Primary Examiner — Melody N Brown

(21) Appl. No.: **29/815,291**

(74) *Attorney, Agent, or Firm* — Muncy, Geissler, Olds & Lowe, P.C.

(22) Filed: **Nov. 12, 2021**

Related U.S. Application Data

(62) Division of application No. 29/727,690, filed on Mar. 12, 2020.

(51) **LOC (13) Cl.** **12-08**

(52) **U.S. Cl.**
USPC **D12/91**

(58) **Field of Classification Search**
USPC D12/86, 90–92, 88; D21/424, 433, 434, D21/533; 296/181.1–181.5, 183.1
CPC B62D 25/00; B62D 25/06; B62D 33/00; B62D 35/00
See application file for complete search history.

(56) **References Cited**

U.S. PATENT DOCUMENTS

| | | | | |
|--------------|---------|---------|-------|--------|
| D741,224 S * | 10/2015 | Rupar | | D12/91 |
| D741,752 S * | 10/2015 | Messale | | D12/91 |

(57) **CLAIM**

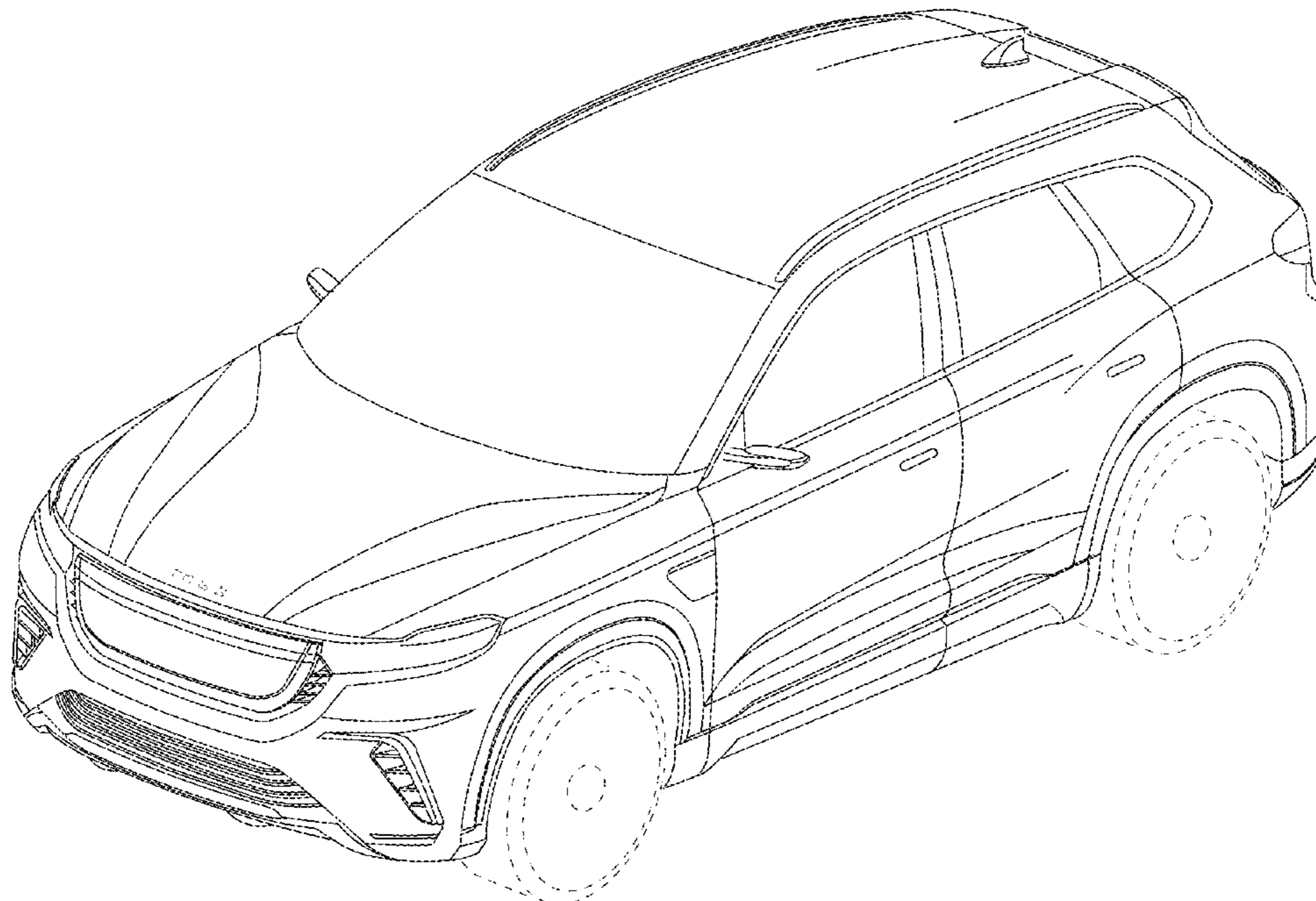
The ornamental design for an automobile body, as shown and described.

DESCRIPTION

FIG. 1 is a top, front and left side perspective view of an automobile body showing my new design;
FIG. 2 is a top, rear and left side perspective view thereof;
FIG. 3 is a right side view thereof;
FIG. 4 is a left side view thereof;
FIG. 5 is a front elevational view thereof;
FIG. 6 is a rear elevational view thereof; and,
FIG. 7 is a top plan view thereof.

The broken lines illustrate portions of the environment structure which form no part of the claimed design. Furthermore, the trademark material forms no part of the claimed design and is illustrated in broken lines.

1 Claim, 7 Drawing Sheets



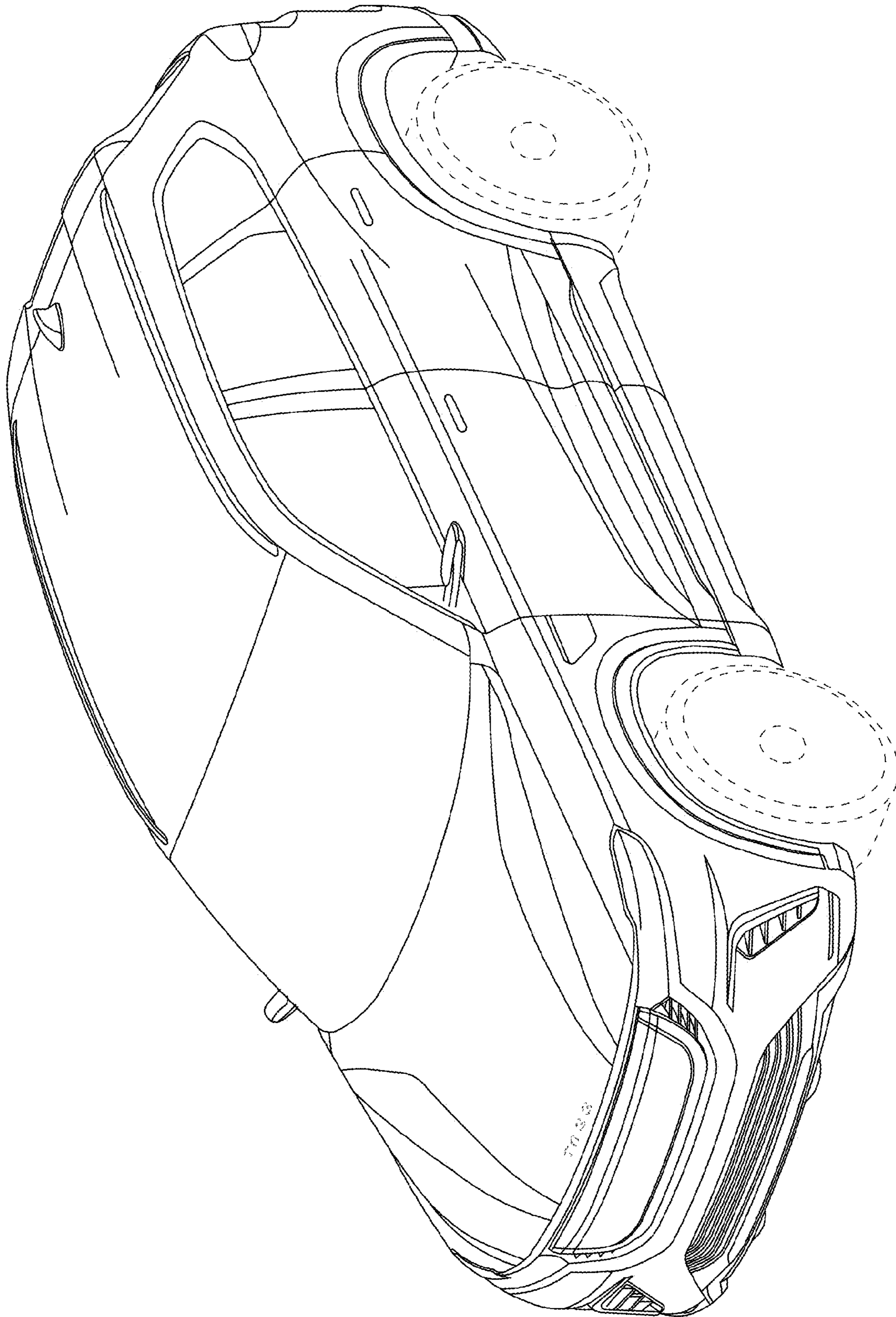


FIG. 1

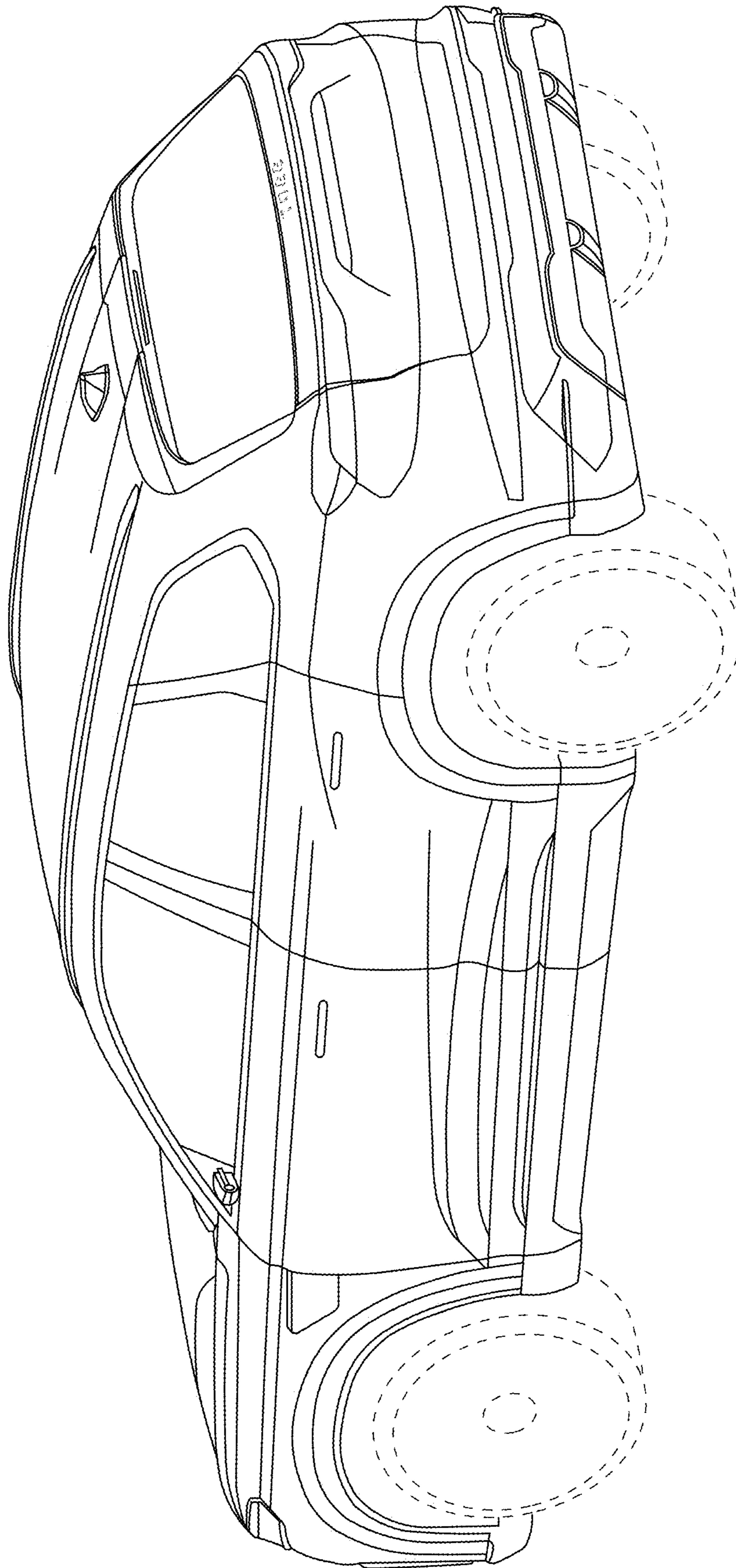


FIG. 2

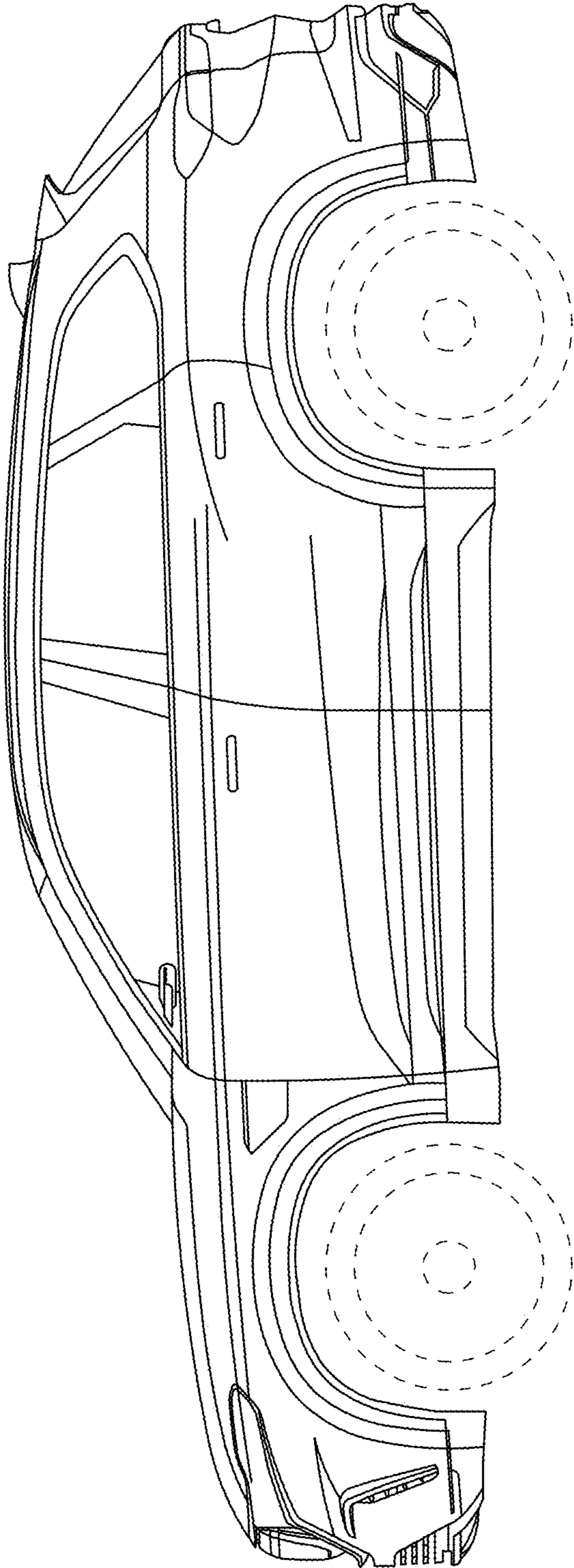


FIG. 3

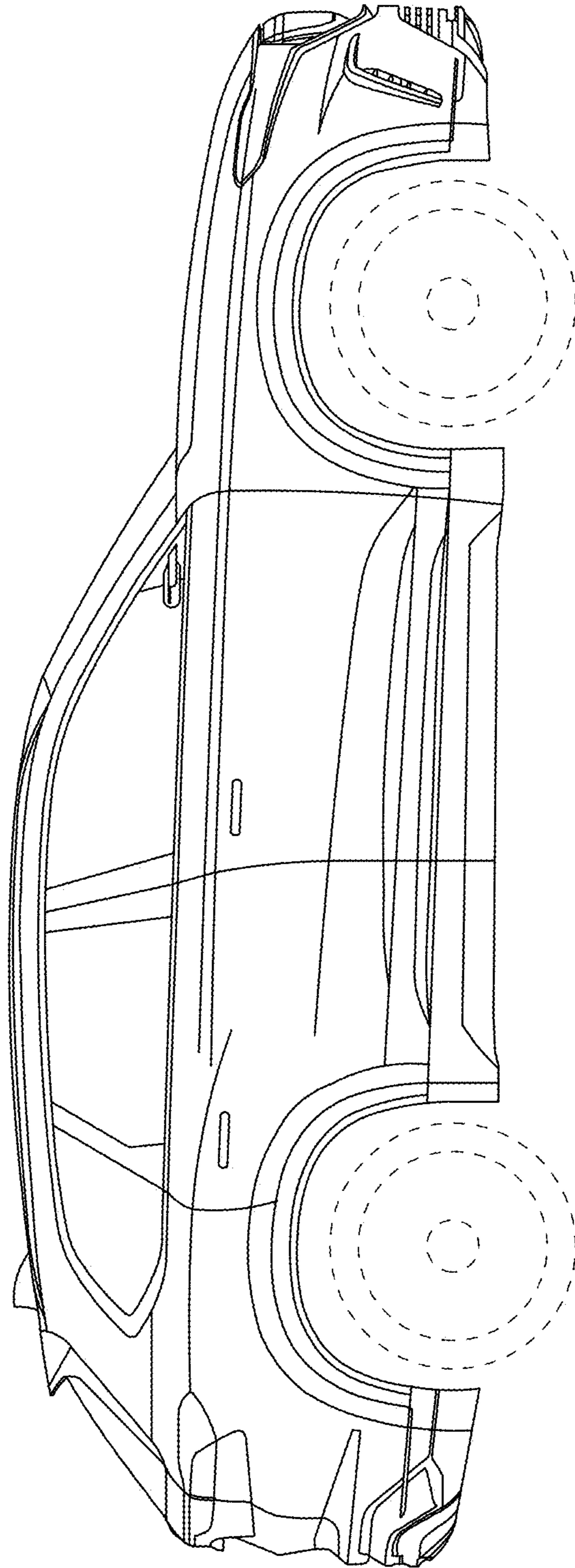


FIG. 4

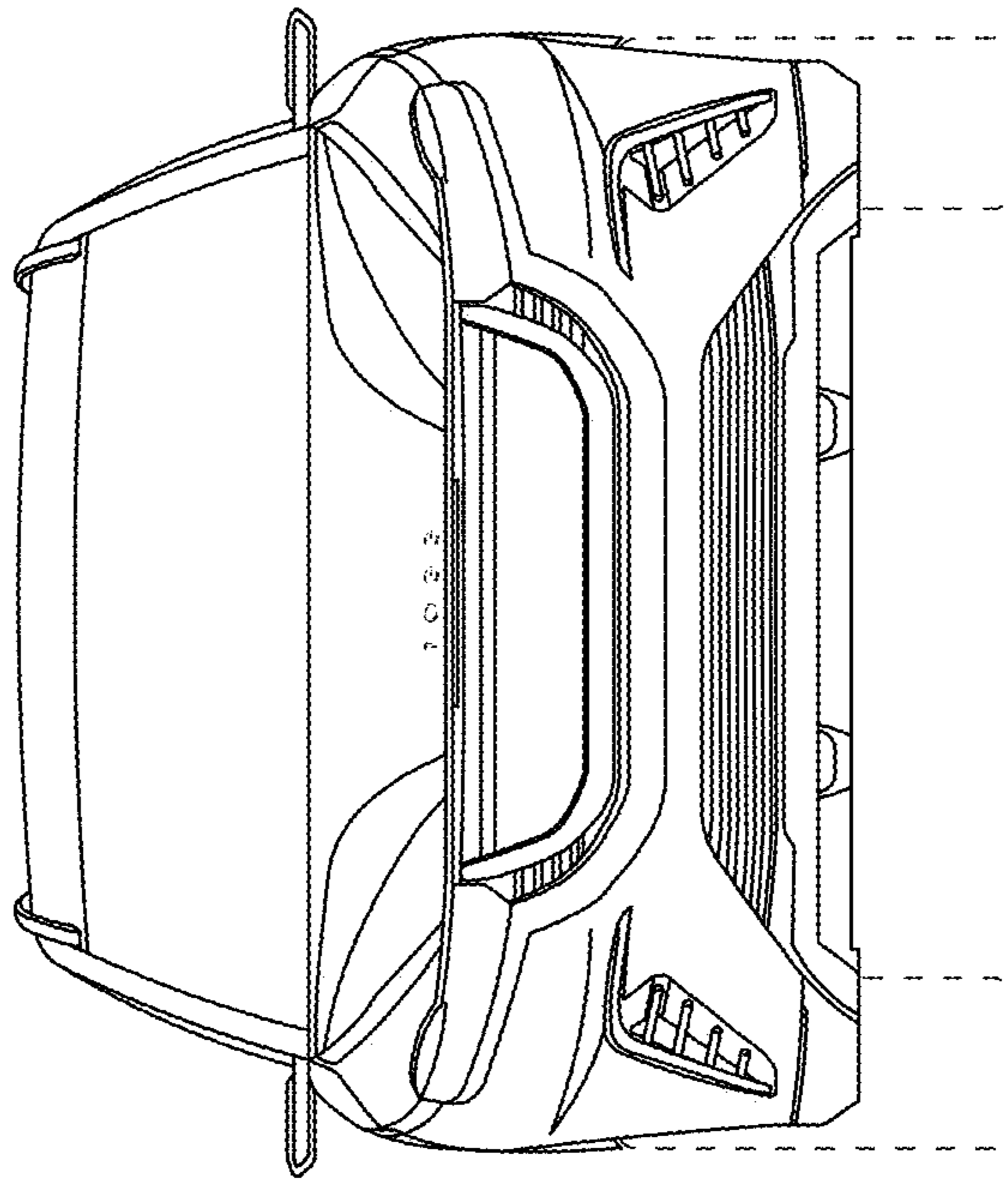


FIG. 5

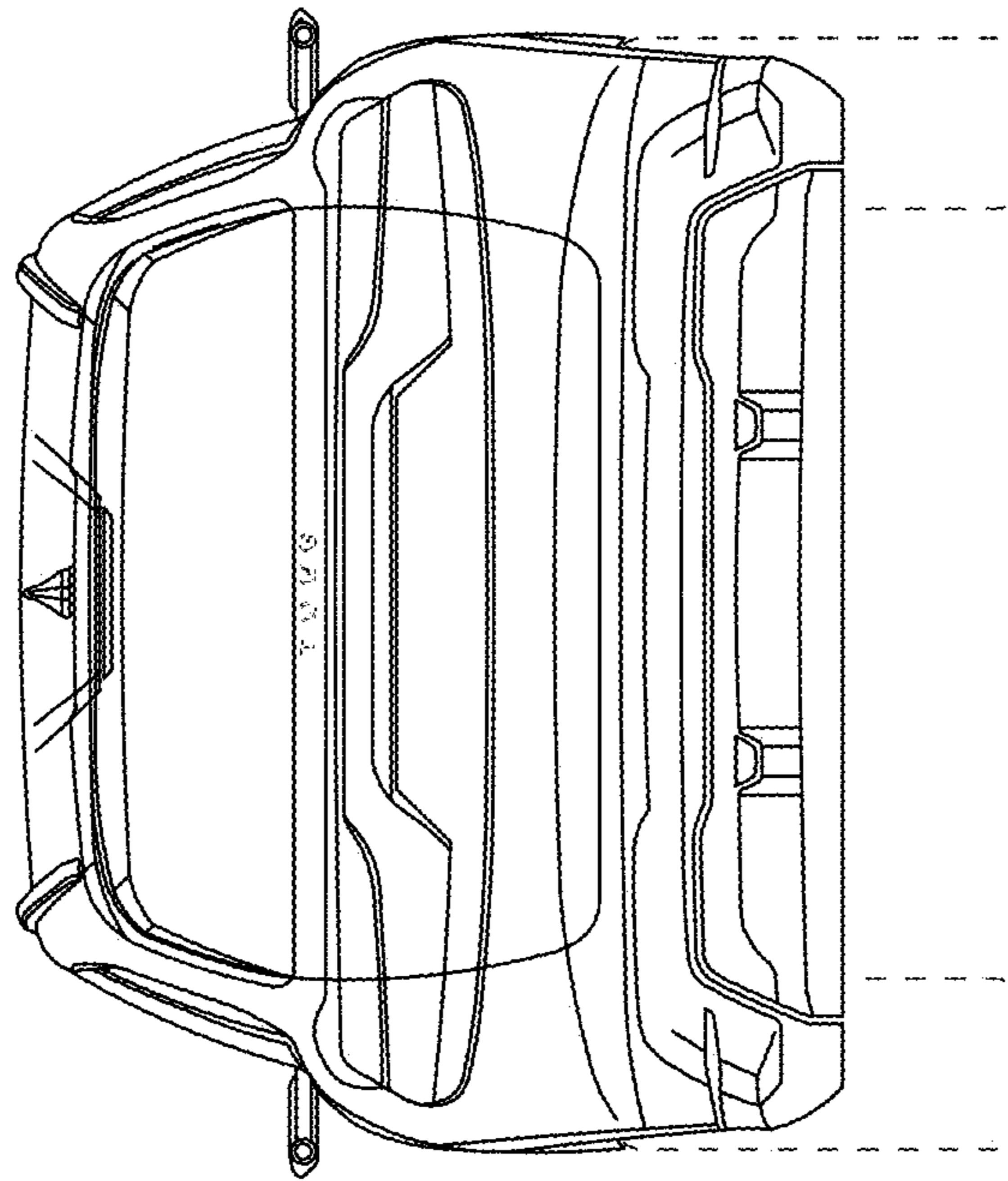


FIG. 6

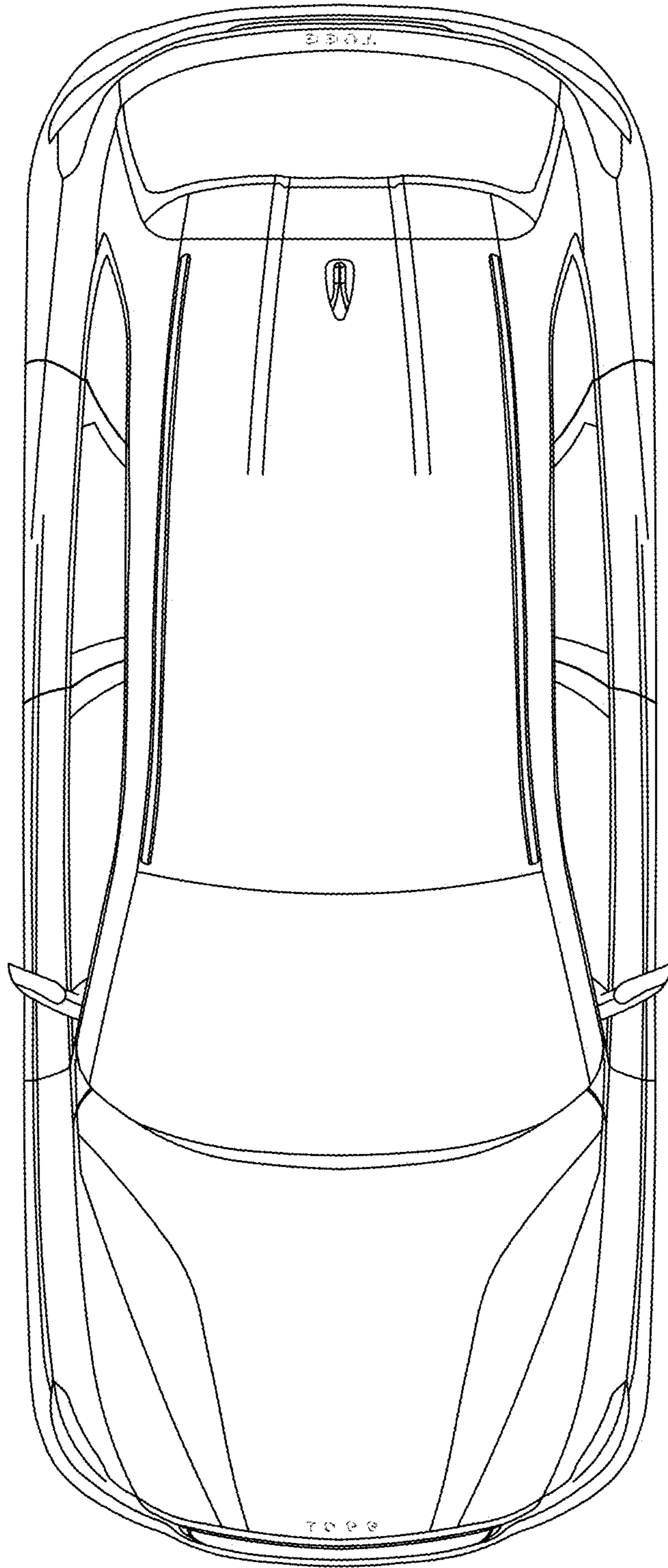


FIG. 7