



US00D958694S

(12) **United States Design Patent**
Kang et al.

(10) **Patent No.:** **US D958,694 S**
(45) **Date of Patent:** **** Jul. 26, 2022**

- (54) **NECKTIE RETAINING CLIP**
- (71) Applicants: **Eung-tae Kang**, Seoul (KR); **Jin-woo Kang**, Seoul (KR); **Jin-yong Kang**, Seoul (KR)
- (72) Inventors: **Eung-tae Kang**, Seoul (KR); **Jin-woo Kang**, Seoul (KR); **Jin-yong Kang**, Seoul (KR)
- (**) Term: **15 Years**
- (21) Appl. No.: **29/701,763**
- (22) Filed: **Aug. 14, 2019**
- (30) **Foreign Application Priority Data**
Mar. 28, 2019 (KR) 30-2019-0014314
- (51) **LOC (13) Cl.** **02-07**
- (52) **U.S. Cl.**
USPC **D11/202**
- (58) **Field of Classification Search**
USPC D11/200, 202–205, 215; D8/395
CPC A44B 6/00; A44B 9/08; A44B 9/18; Y10T 24/1955; Y10T 24/1959; Y10T 24/1962; Y10T 24/1966; Y10T 24/1969; Y10T 24/1972; Y10T 24/1976
See application file for complete search history.

- 3,793,681 A * 2/1974 Casstevens, Jr. A44B 6/00 24/698.2
- D252,132 S * 6/1979 Fujishiro A41D 25/003 D8/383
- D270,615 S * 9/1983 Stuart A41D 25/003 D11/208

(Continued)

FOREIGN PATENT DOCUMENTS

KR 300849975 * 4/2018
Primary Examiner — Tracey J Bell
(74) *Attorney, Agent, or Firm* — Hauptman Ham, LLP

(57) **CLAIM**

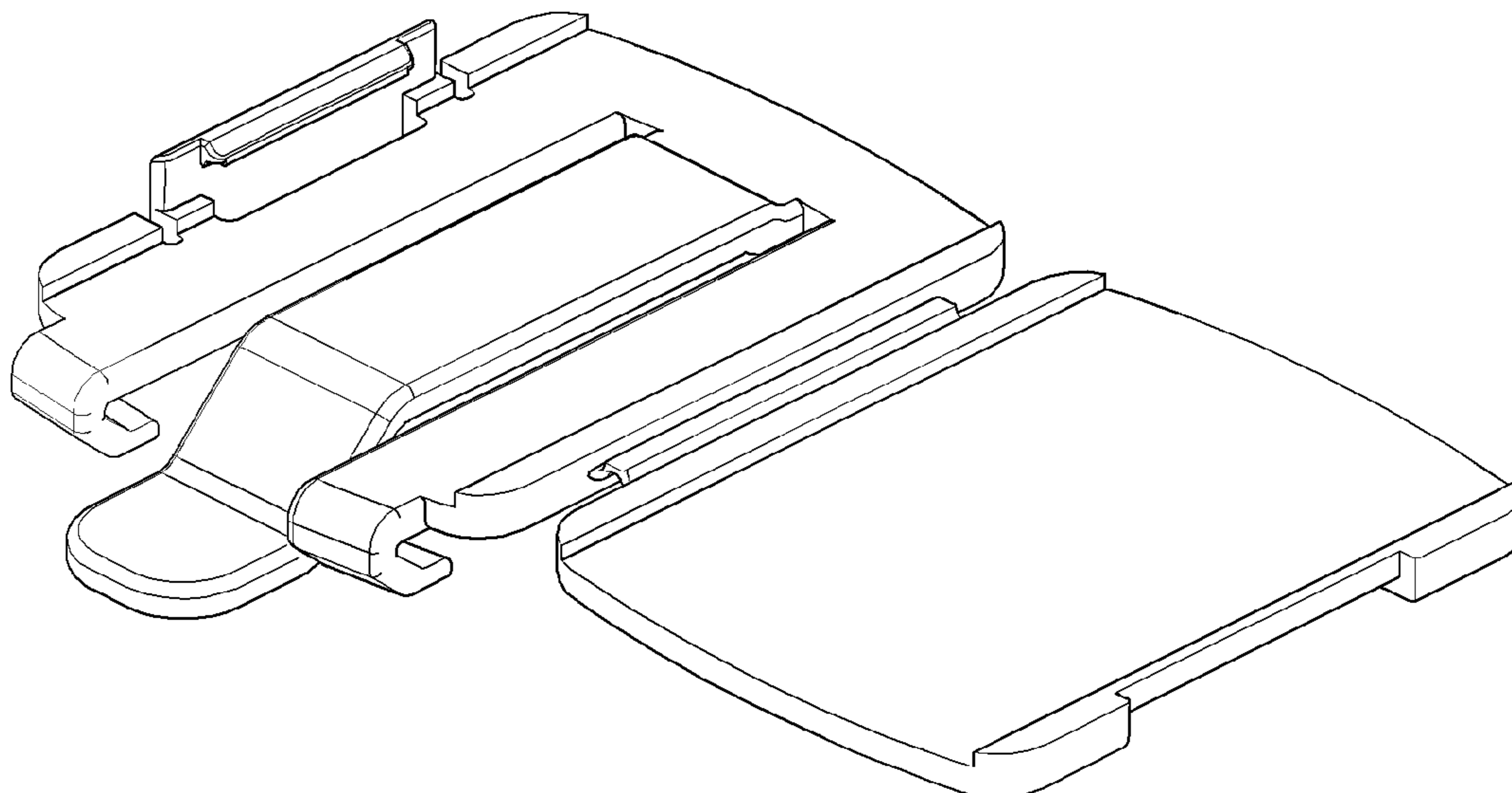
The ornamental design for a necktie retaining clip, as shown and described.

DESCRIPTION

FIG. 1 is a perspective view of the necktie retaining clip according to the present design;
FIG. 2 is a front view of the necktie retaining clip according to the present design;
FIG. 3 is a rear view of the necktie retaining clip according to the present design;
FIG. 4 is a left-side view of the necktie retaining clip according to the present design;
FIG. 5 is a right-side view of the necktie retaining clip according to the present design;
FIG. 6 is a top view of the necktie retaining clip according to the present design;
FIG. 7 is a bottom view of the necktie retaining clip according to the present design;
FIG. 8 is a perspective view of the necktie retaining clip in a closed position; and,
FIG. 9 is a perspective view of the necktie retaining clip in a closed position, shown in an environment of use.
The broken lines in FIG. 9 illustrate environmental subject matter that forms no part of the design sought to be patented.

1 Claim, 7 Drawing Sheets

- (56) **References Cited**
U.S. PATENT DOCUMENTS
1,570,883 A * 1/1926 Folkman A44B 9/18 24/708.2
2,016,747 A * 10/1935 Kaplan A44B 6/00 24/328
2,790,221 A * 4/1957 Mayer A44B 6/00 24/66.13
2,828,518 A * 4/1958 Robertson A44B 6/00 24/66.5
2,990,551 A * 7/1961 Schreter A44B 6/00 2/145



(56)

References Cited

U.S. PATENT DOCUMENTS

D308,017 S * 5/1990 Fujioka A44B 9/18
D8/382
D310,020 S * 8/1990 Fujioka A44B 6/00
D8/382
D330,688 S * 11/1992 Haines D11/202
5,315,713 A * 5/1994 Pileggi A41D 25/003
24/66.4
5,715,538 A * 2/1998 Soll A41D 25/003
24/49.1
2018/0184765 A1* 7/2018 Kang A44B 6/00

* cited by examiner

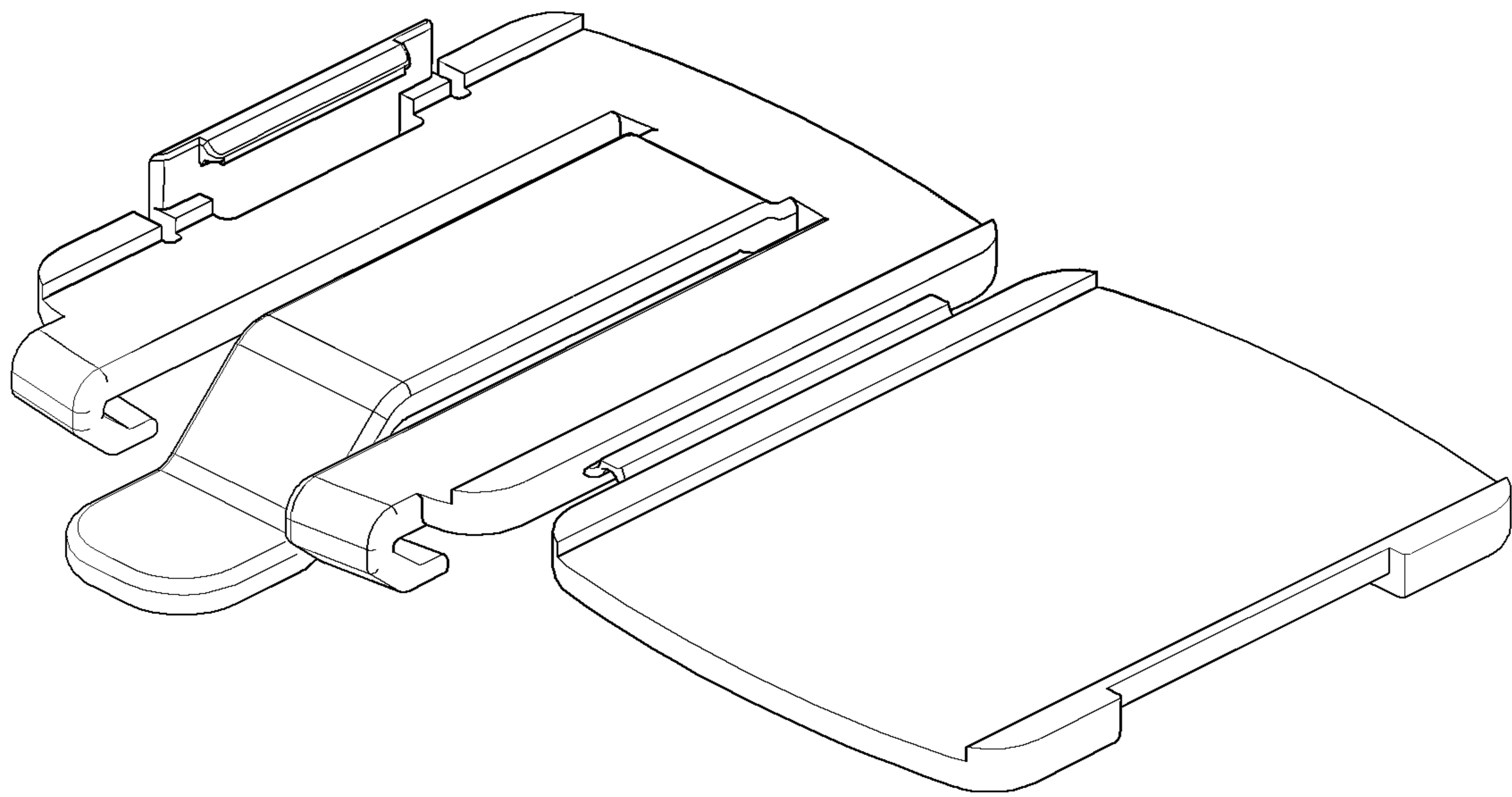


FIG. 1

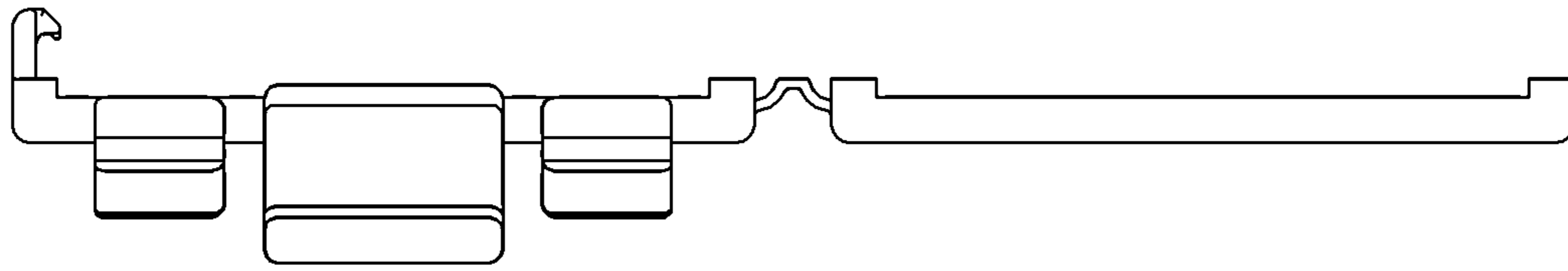


FIG. 2

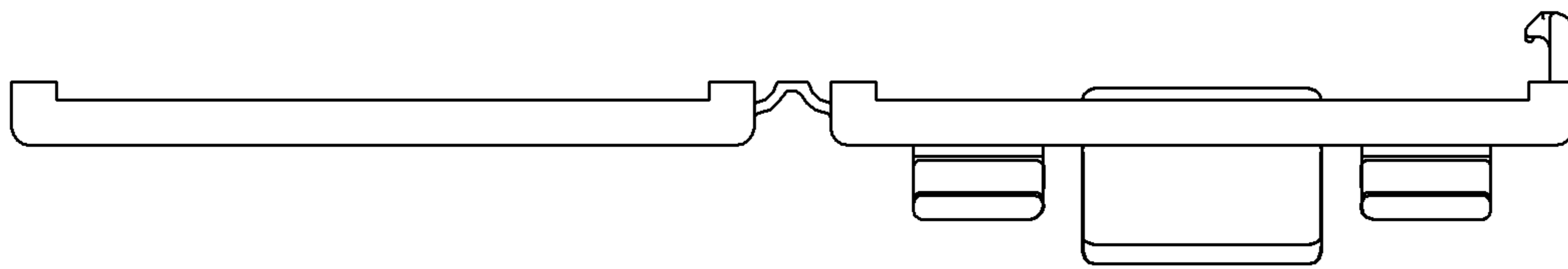


FIG. 3

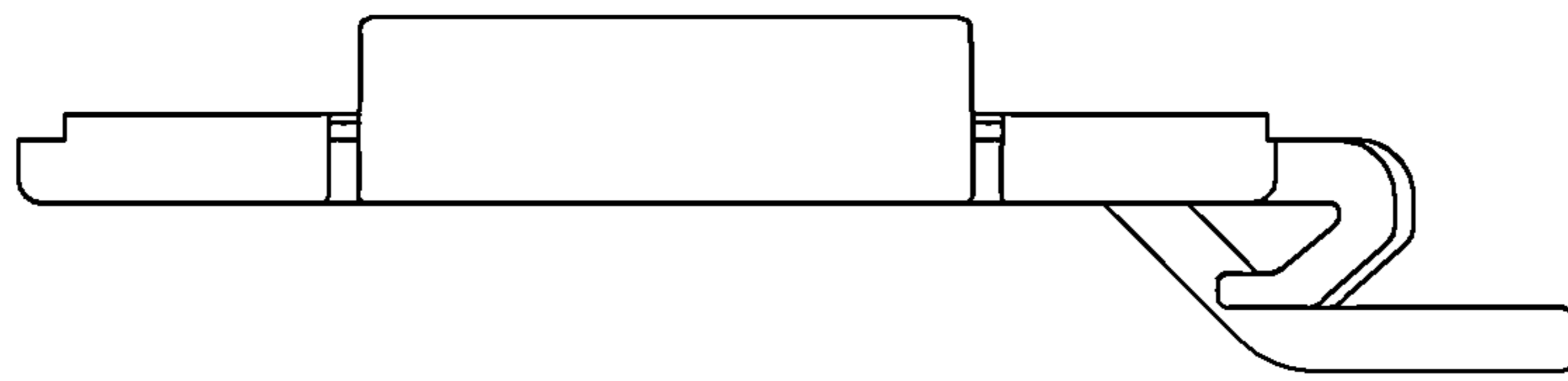


FIG. 4

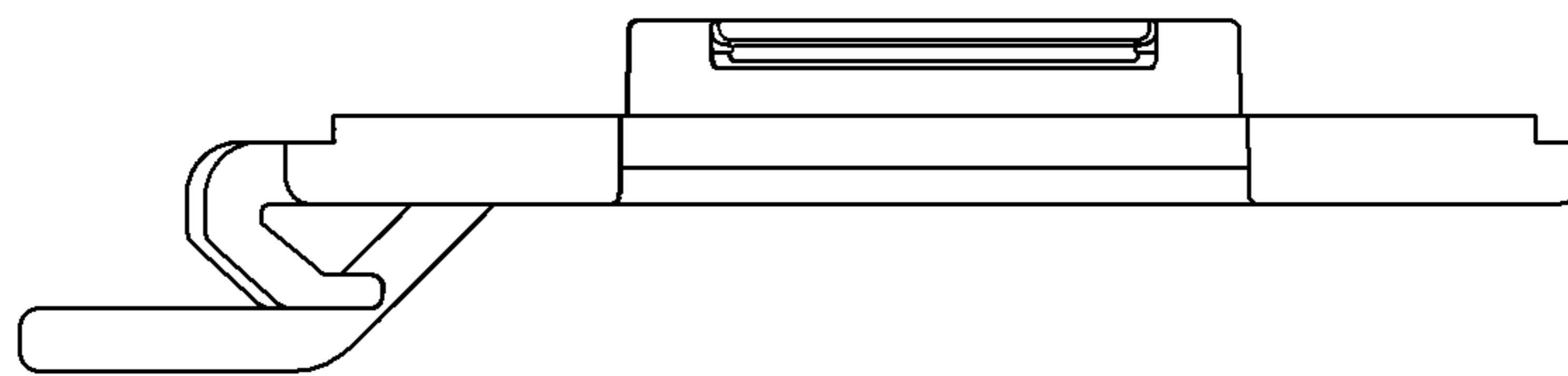


FIG. 5

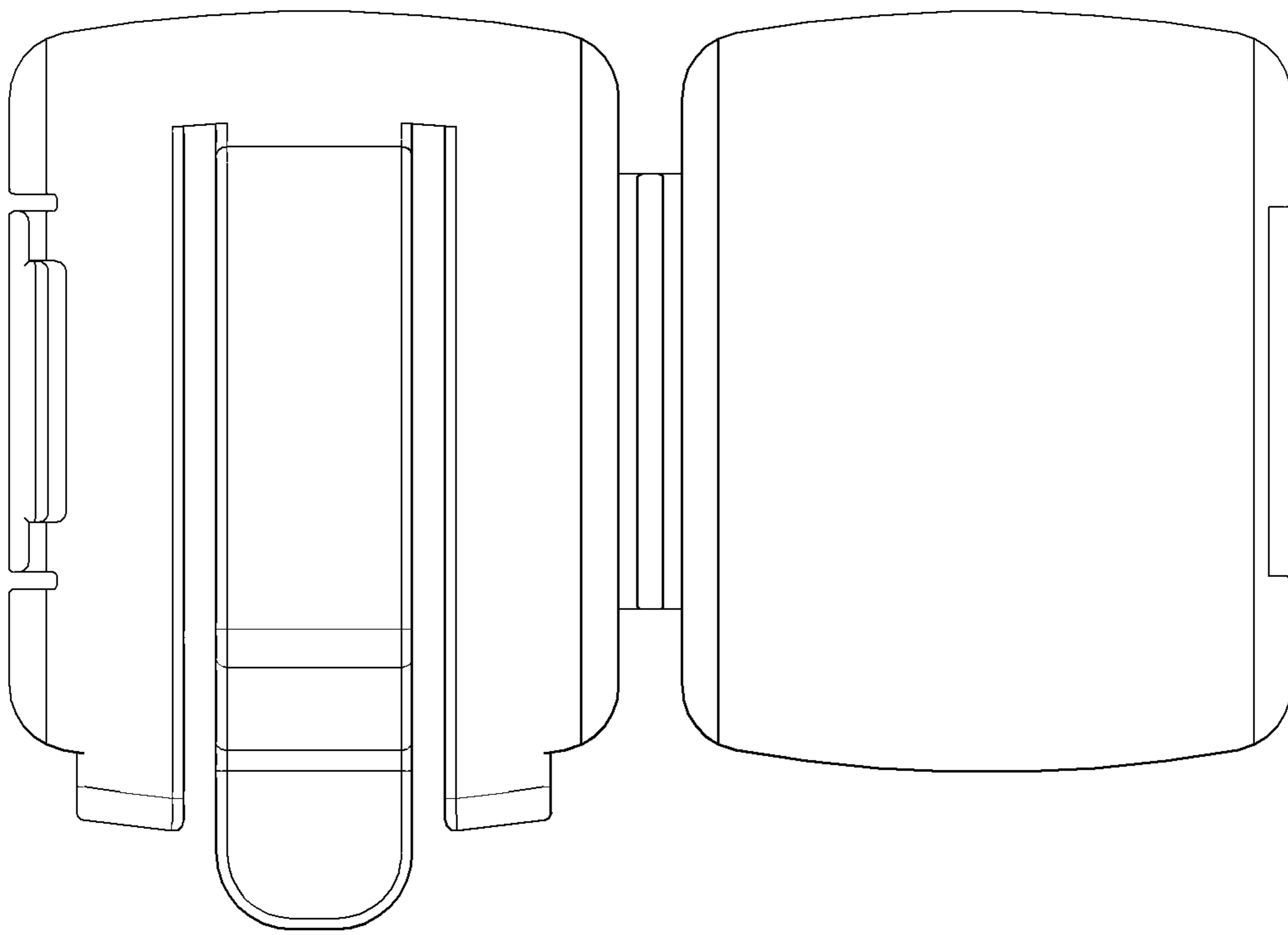


FIG. 6

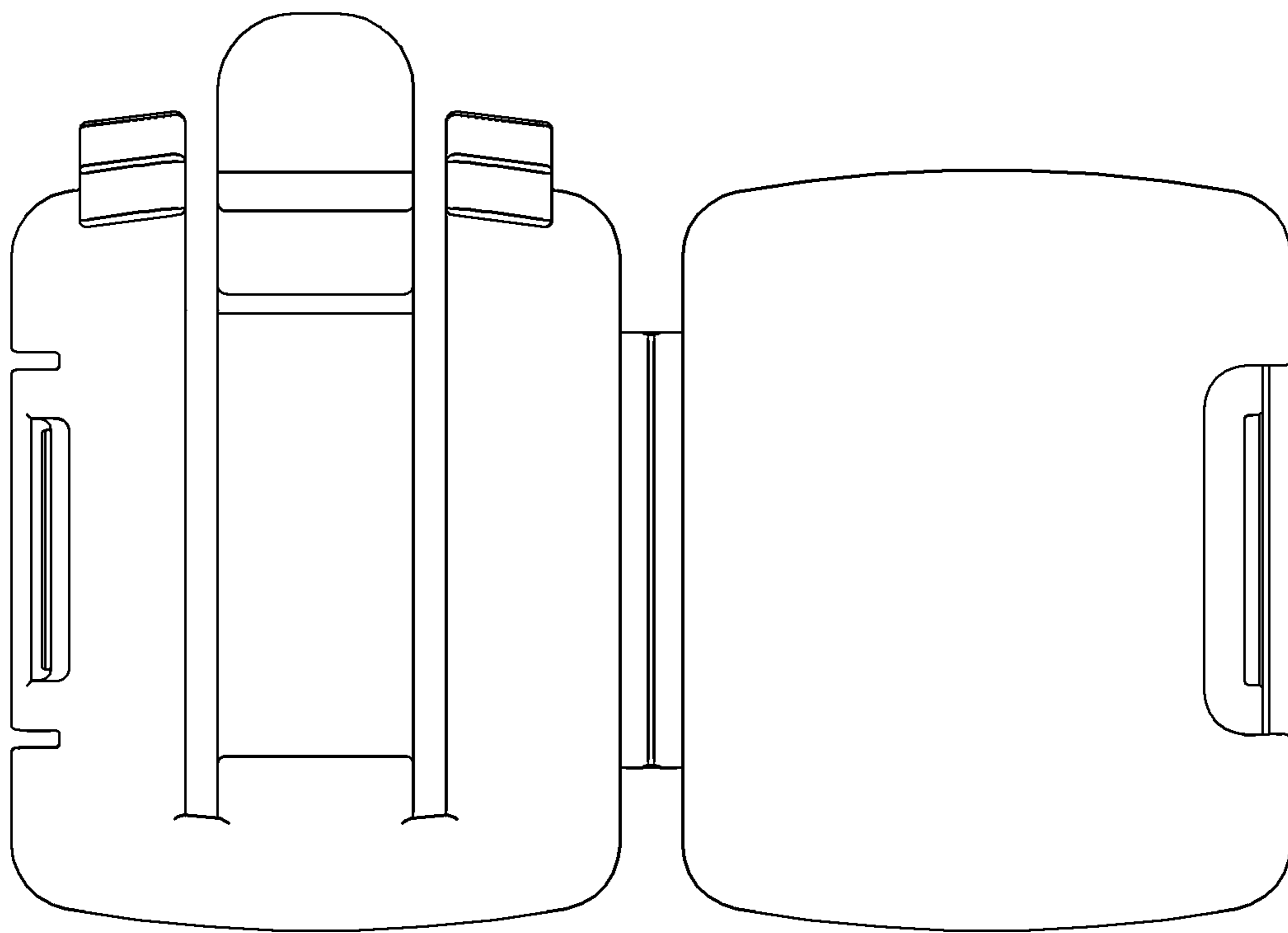


FIG. 7

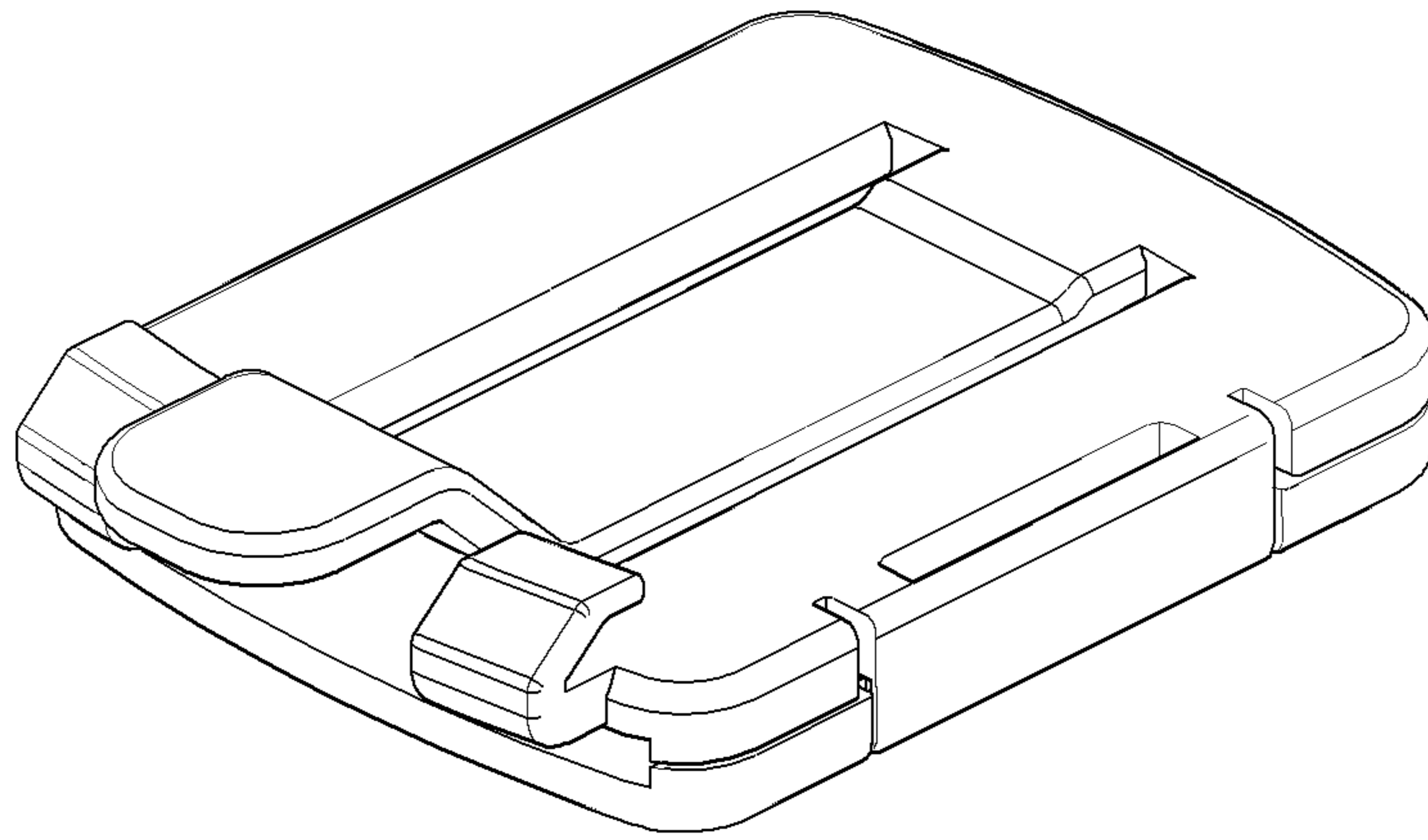


FIG. 8

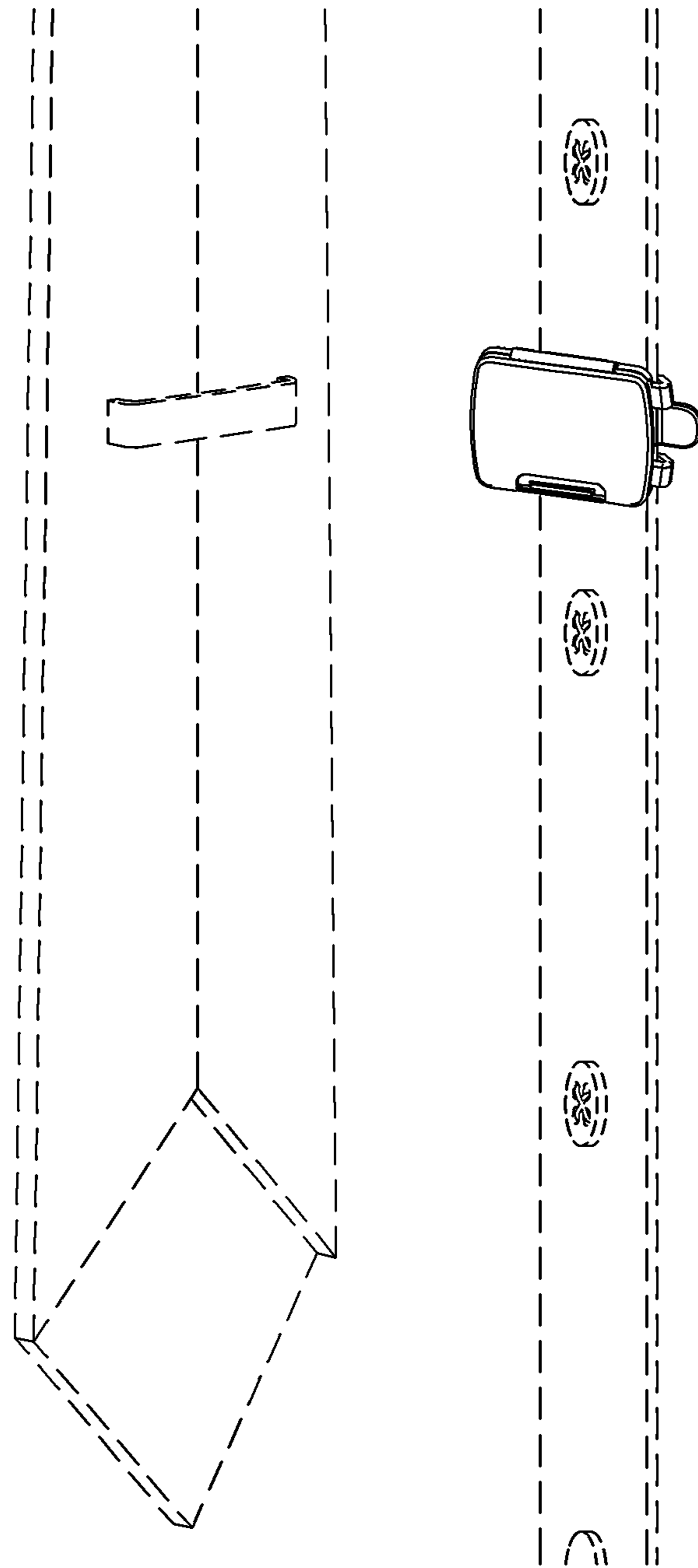


FIG. 9