



US00D958692S

(12) **United States Design Patent**
Lin

(10) **Patent No.:** **US D958,692 S**

(45) **Date of Patent:** **** Jul. 26, 2022**

(54) **HYDROPONIC PLANTER**

(71) Applicant: **Yongming Lin**, Guangdong (CN)

(72) Inventor: **Yongming Lin**, Guangdong (CN)

(**) Term: **15 Years**

(21) Appl. No.: **29/747,111**

(22) Filed: **Aug. 19, 2020**

(51) **LOC (13) Cl.** **11-02**

(52) **U.S. Cl.**
USPC **D11/144**

(58) **Field of Classification Search**
USPC D11/143–156, 164; D6/403–405,
D6/556–558; D26/9, 10

CPC . A01G 9/02; A01G 9/021; A01G 9/04; A01G
27/003; A01G 31/02; A01G 31/06

See application file for complete search history.

(56) **References Cited**

U.S. PATENT DOCUMENTS

- 3,142,133 A * 7/1964 Brooks A01G 9/0295
47/73
- D245,407 S * 8/1977 Ware D11/144
- 4,236,353 A * 12/1980 Sorenson A01G 27/04
47/39
- D416,102 S * 11/1999 Schulman D11/144
- D604,197 S * 11/2009 Bissonnette D11/144
- 8,261,486 B2 * 9/2012 Bissonnette A01G 27/003
47/59 R
- D713,284 S * 9/2014 Prinster A01G 31/02
D11/143
- D729,115 S * 5/2015 Prinster D11/144
- D760,118 S * 6/2016 Lepp D11/142
- D767,638 S * 9/2016 Kuge D15/10
- 9,528,694 B2 * 12/2016 Lin A01G 27/003
- D792,808 S * 7/2017 Verneuil D11/144
- D801,213 S * 10/2017 Kim D11/155
- D864,016 S * 10/2019 Woltz D11/143

- D888,602 S * 6/2020 Kadosh D11/144
- D888,603 S * 6/2020 Tong D11/144
- 10,757,875 B2 * 9/2020 Loiske A01G 31/02
- D899,299 S * 10/2020 Craig D11/155
- D924,724 S * 7/2021 Li D11/155
- D932,346 S * 10/2021 Song D11/156
- 2006/0272210 A1 * 12/2006 Bissonnette A01G 31/02
47/69
- 2008/0282610 A1 * 11/2008 Bissonnette A01G 7/045
47/64
- 2009/0151248 A1 * 6/2009 Bissonnette A01G 31/02
47/59 S
- 2010/0031566 A1 * 2/2010 Azoulay A01G 9/247
47/61
- 2015/0305259 A1 * 10/2015 Galassi A01G 31/02
47/62 R
- 2019/0200541 A1 * 7/2019 Park A01G 9/042
- 2020/0068809 A1 * 3/2020 Ko H05B 47/16
- 2021/0068358 A1 * 3/2021 Im A01G 7/045

* cited by examiner

Primary Examiner — Mark A Goodwin

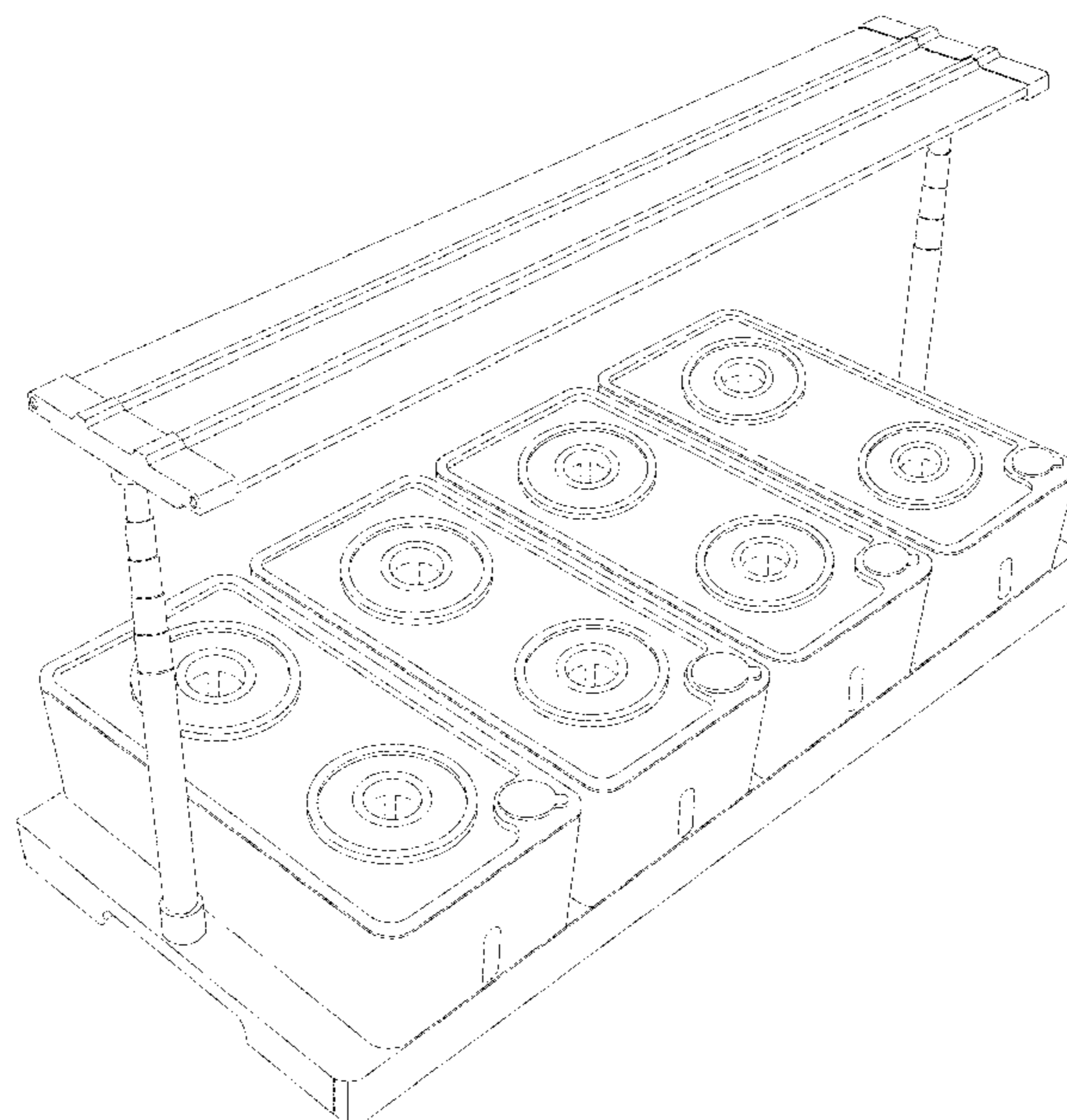
(57) **CLAIM**

The ornamental design for a hydroponic planter, as shown and described.

DESCRIPTION

FIG. 1 is a front elevational view of a hydroponic planter showing my new design;
 FIG. 2 is a rear elevational view thereof;
 FIG. 3 is a left side view thereof;
 FIG. 4 is a right side view thereof;
 FIG. 5 is a top plan view thereof;
 FIG. 6 is a bottom plan view thereof; and
 FIG. 7 is a perspective view thereof; and,
 FIG. 8 is another perspective view thereof.
 The broken lines shown in hydroponic planter form no part of the claimed design.

1 Claim, 8 Drawing Sheets



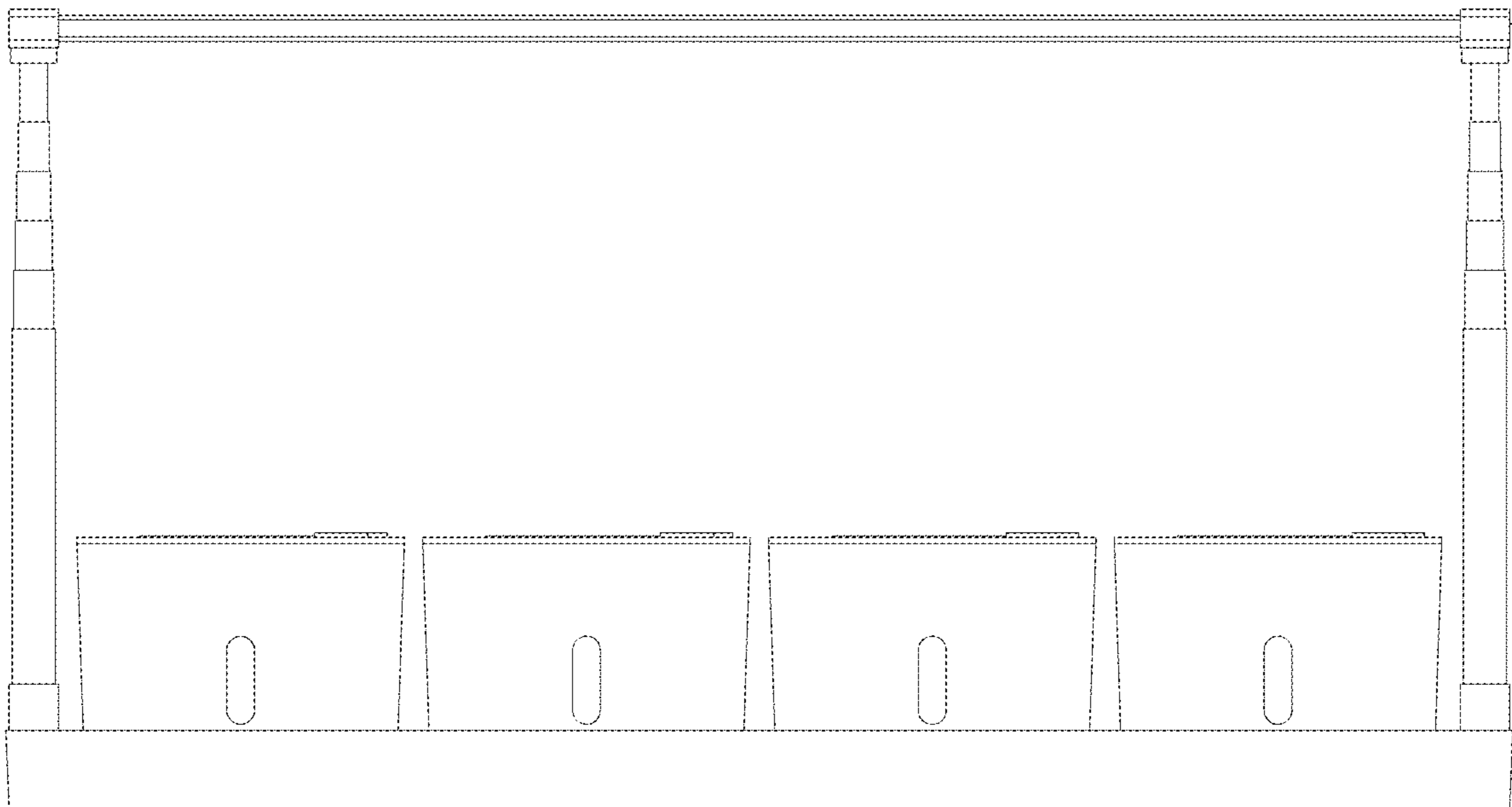


FIG. 1

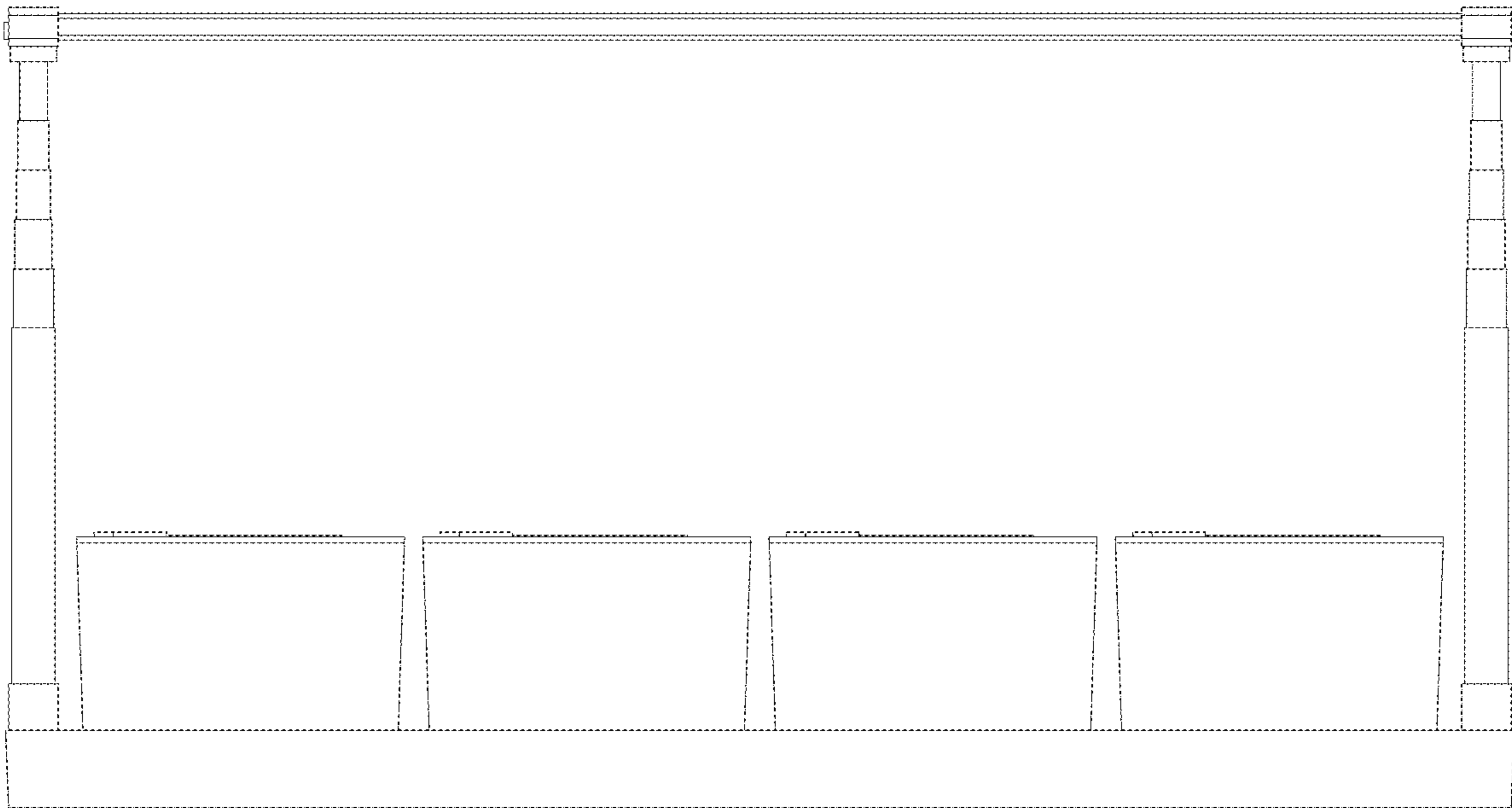


FIG. 2

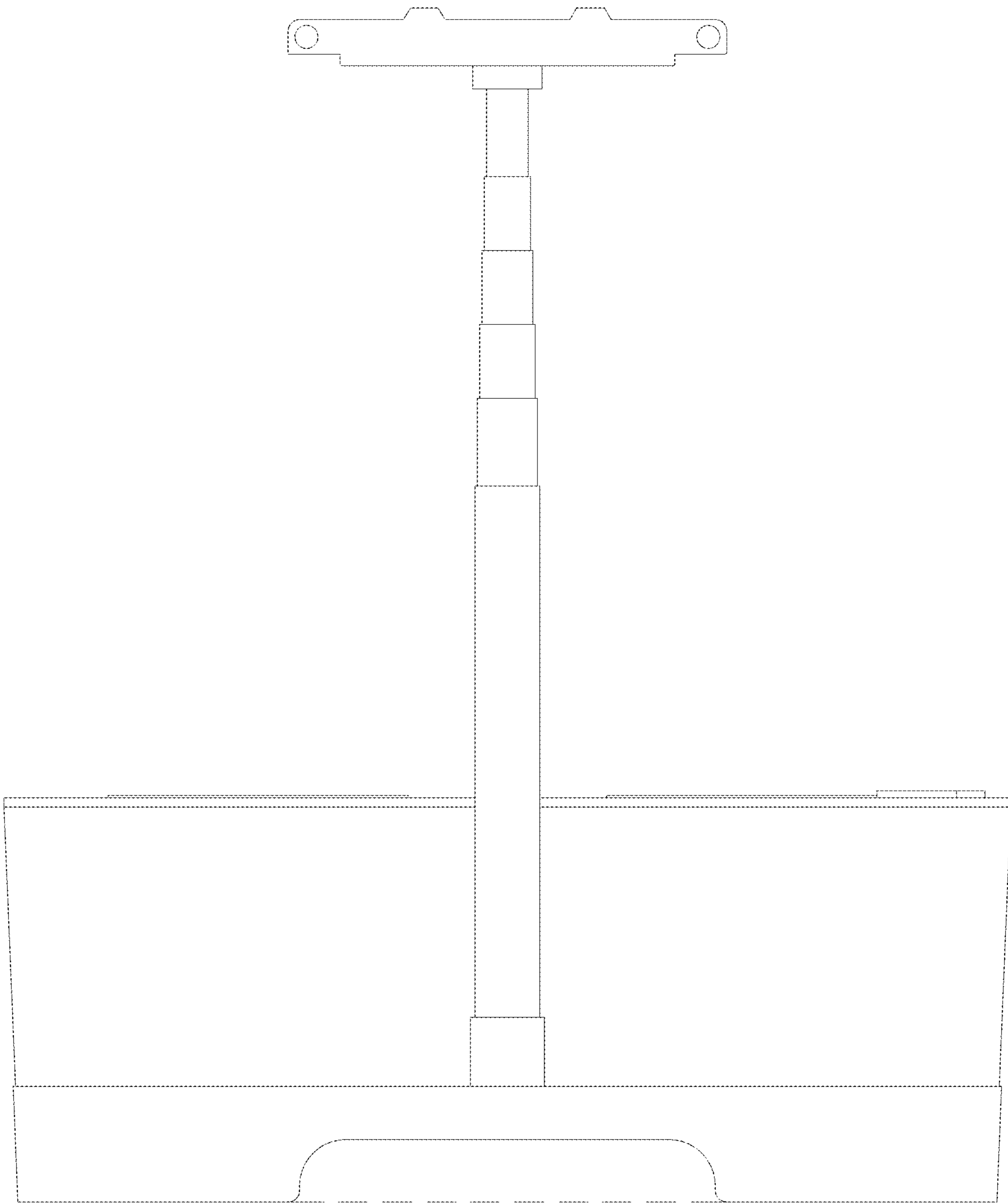


FIG. 3

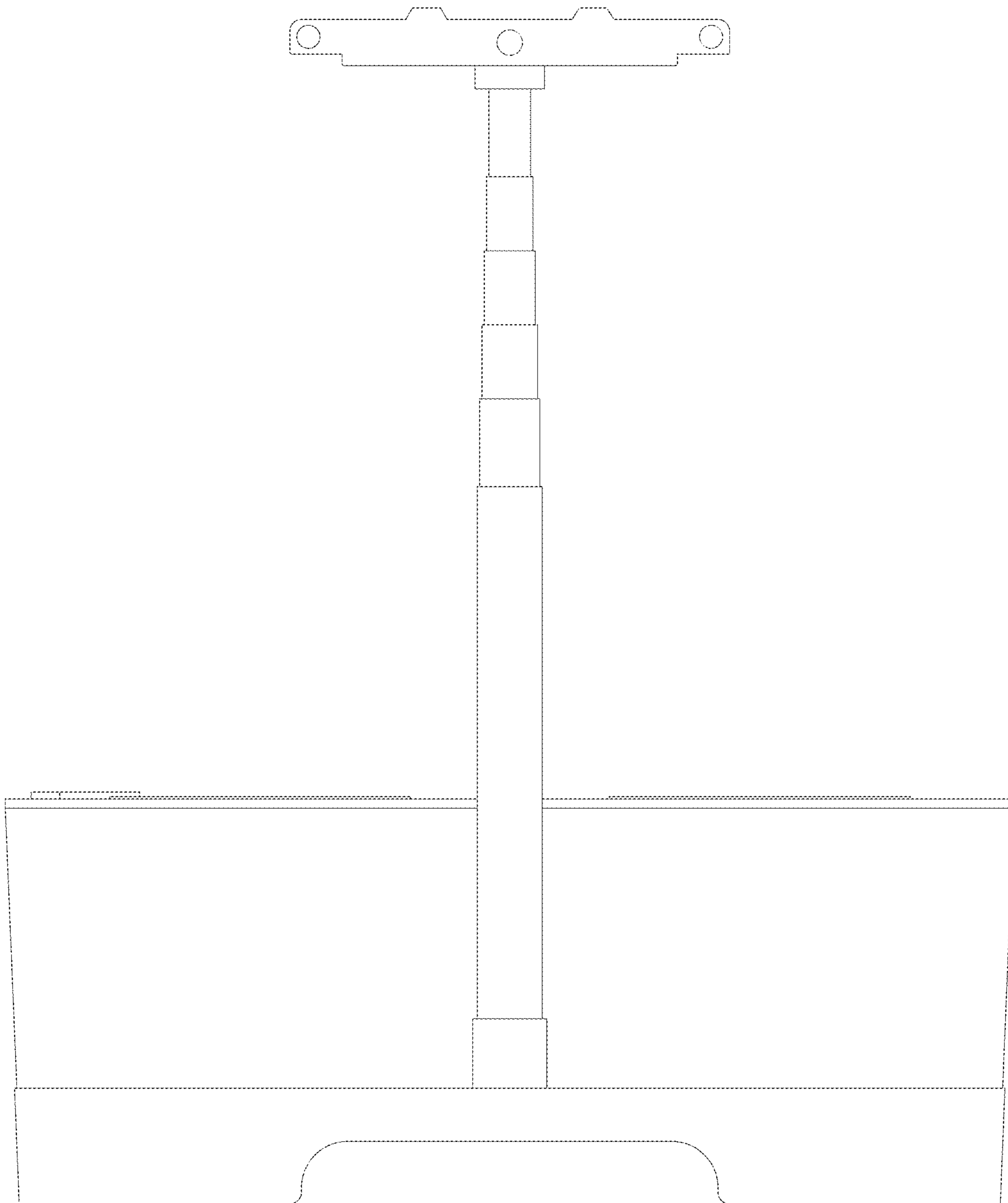


FIG. 4

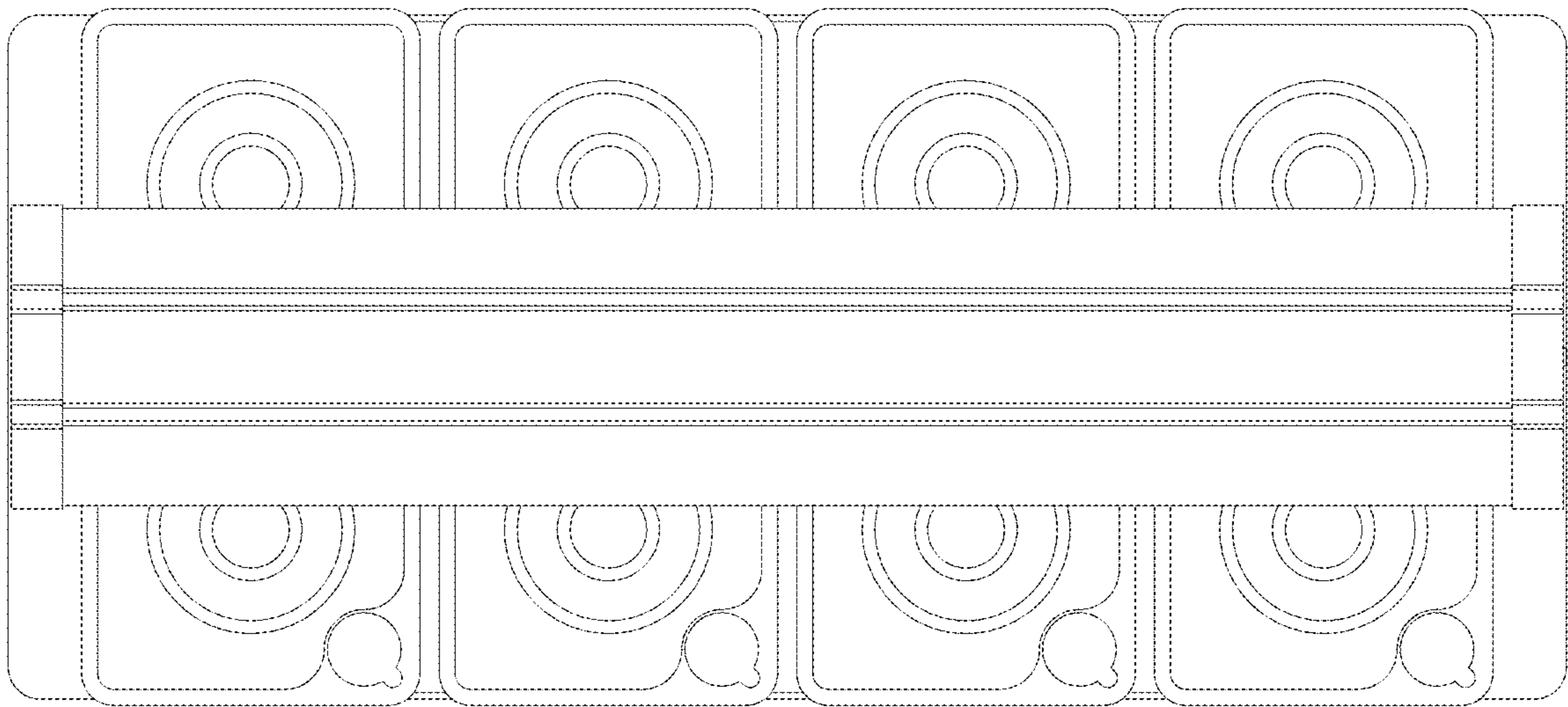


FIG. 5

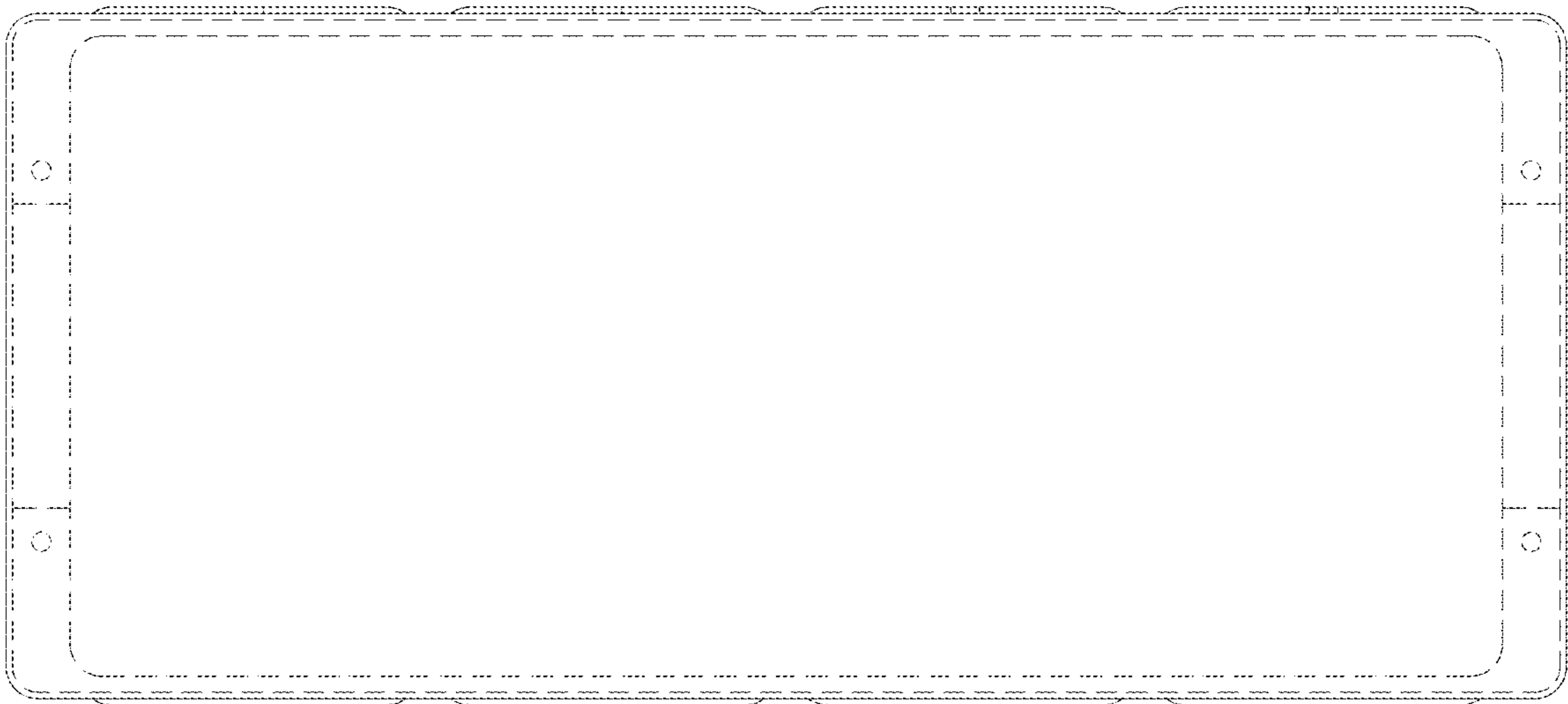


FIG. 6

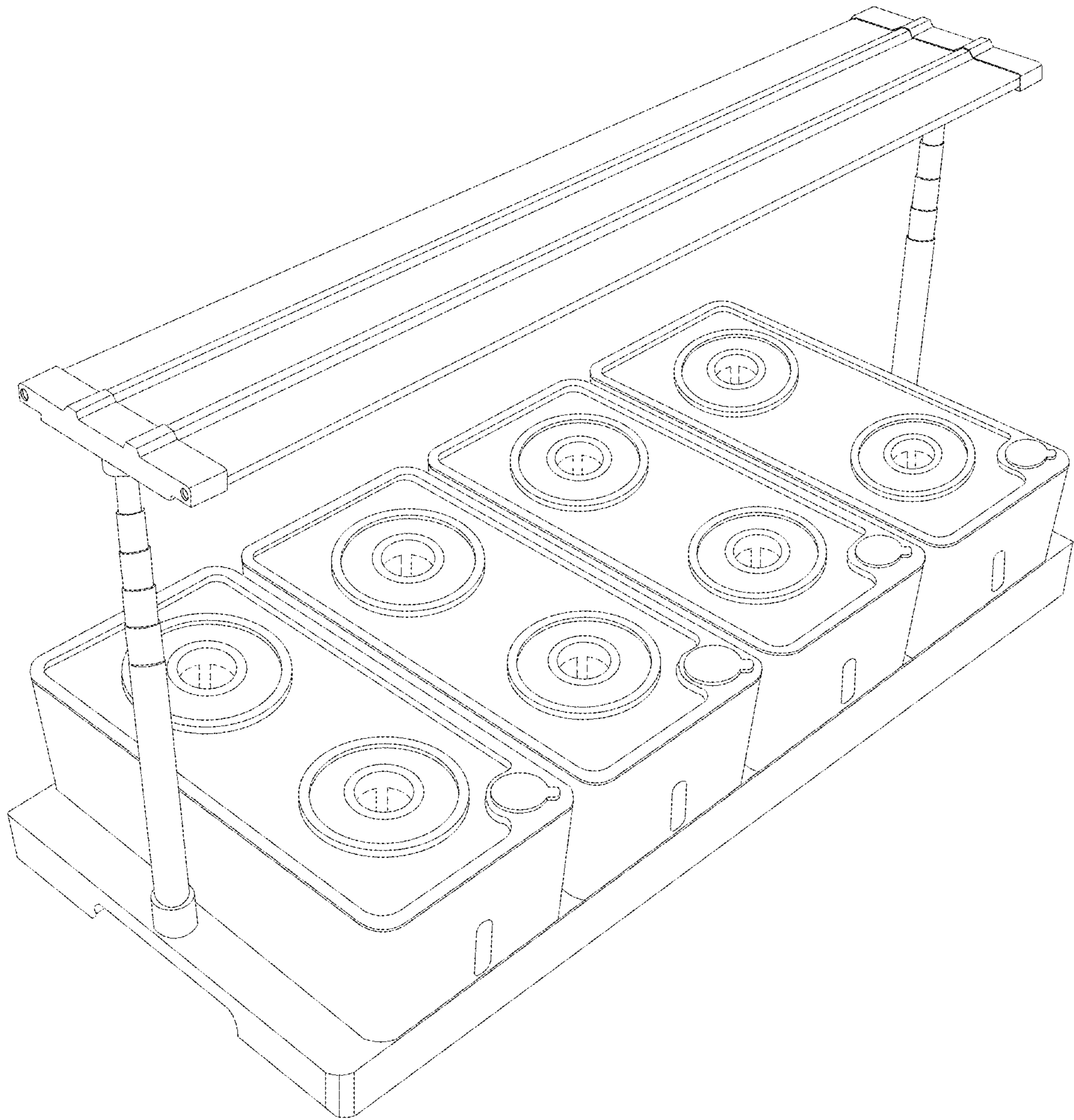


FIG. 7

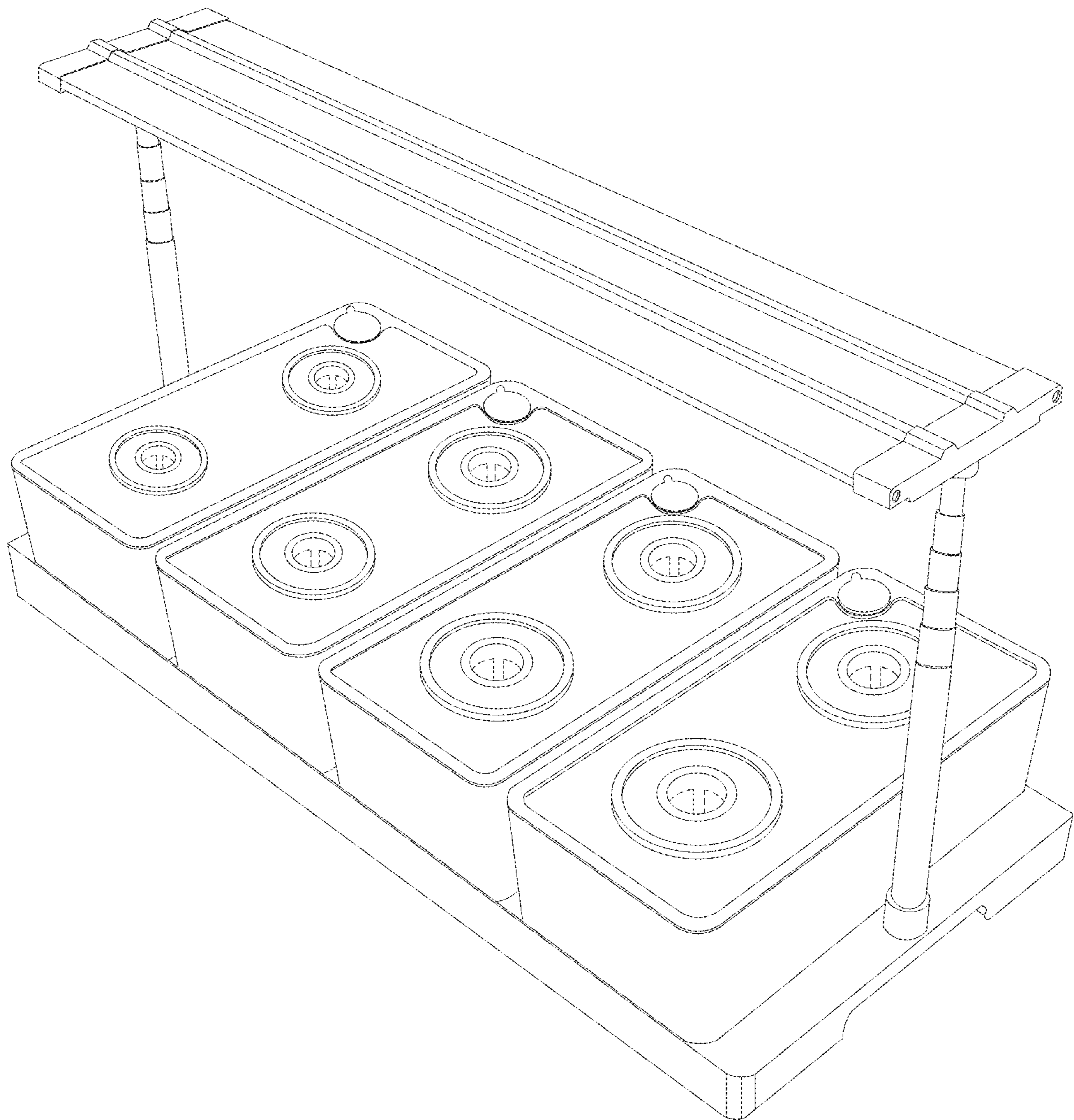


FIG. 8