



US00D958691S

(12) **United States Design Patent** (10) **Patent No.:** **US D958,691 S**
Padeh et al. (45) **Date of Patent:** **** *Jul. 26, 2022**

(54) **RECTANGULAR EMERALD CUT STONE**

- (71) Applicant: **Dov Padeh**, Cedarhurst, NY (US)
- (72) Inventors: **Dov Padeh**, Cedarhurst, NY (US); **Wolf Gluck**, Monroe, NY (US)
- (73) Assignee: **Dov Padeh**, Cedarhurst, NY (US)
- (*) Notice: This patent is subject to a terminal disclaimer.
- (**) Term: **15 Years**
- (21) Appl. No.: **29/764,199**

- (22) Filed: **Dec. 29, 2020**
- (51) **LOC (13) Cl.** **11-01**
- (52) **U.S. Cl.**
USPC **D11/90**
- (58) **Field of Classification Search**
USPC ... D11/1, 3, 7, 8, 16, 26, 34-40, 42, 43, 79,
D11/86, 89-92
CPC A44C 17/00; A44C 17/001; A44C 17/002;
A44C 17/003; A44C 17/005; A44C
17/006; A44C 17/007; A44C 17/008
See application file for complete search history.

(56) **References Cited**

U.S. PATENT DOCUMENTS

- 4,020,649 A * 5/1977 Grossbard A44C 17/001
D11/90
- D251,659 S * 4/1979 Grossbard D11/90
- D317,139 S * 5/1991 Chia D11/93
- D484,824 S * 1/2004 Namdar A44C 17/001
D11/90
- D501,155 S * 1/2005 Tolkowsky D11/90
- D506,947 S * 7/2005 Weinstein D11/90
- D607,369 S * 1/2010 Swarovski D11/90

(Continued)

FOREIGN PATENT DOCUMENTS

- CN 301849089 * 2/2012

OTHER PUBLICATIONS

Pc04088 Superflash 1, Roy Spangler, online, site visited Feb. 7, 2022. Retrieved from url:http://www.facetdiagrams.org/database/files/pc04088.html (Year: 2022).*

Primary Examiner — Tracey J Bell

(74) *Attorney, Agent, or Firm* — Ostrager Chong Flaherty & Broitman P.C.

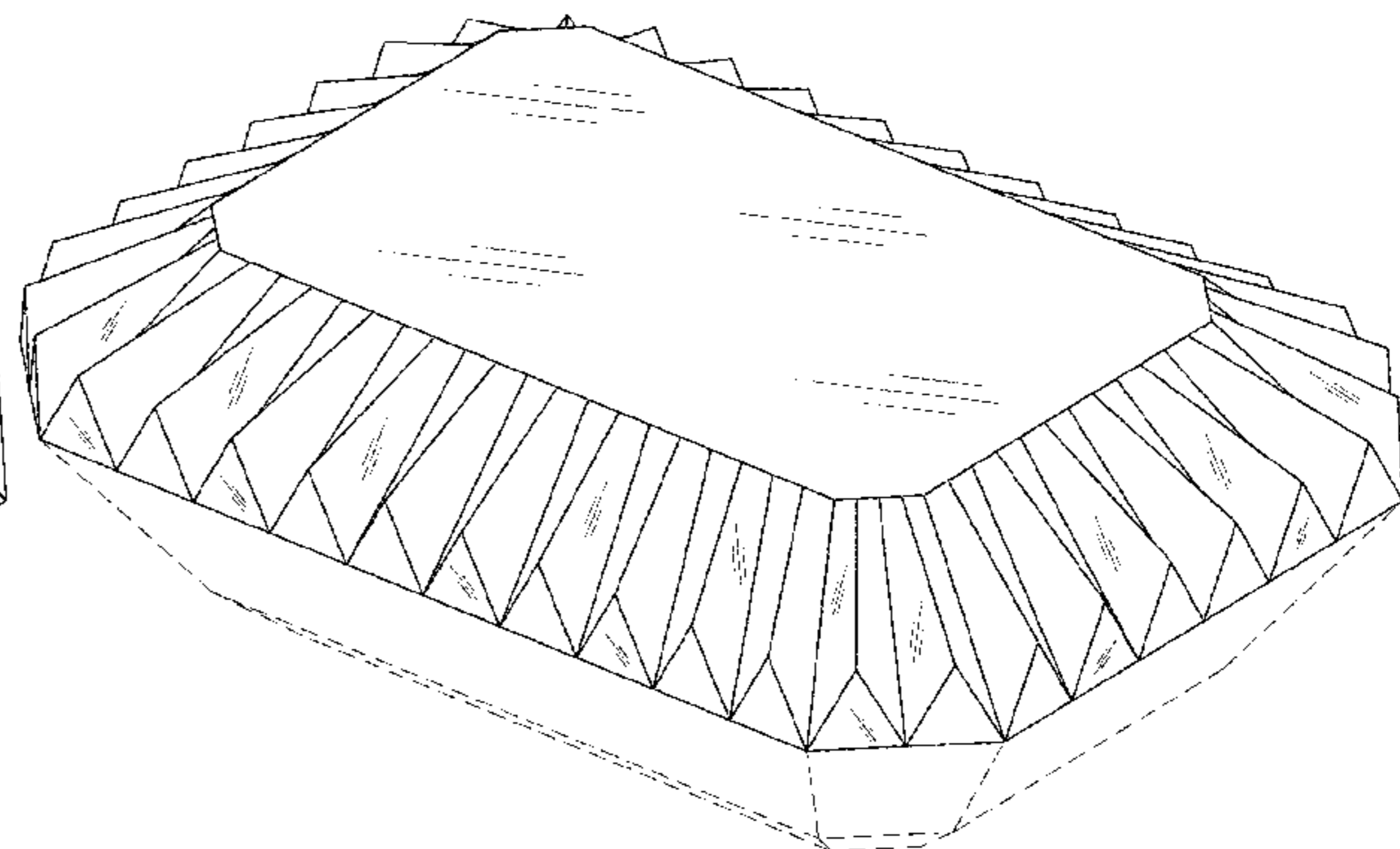
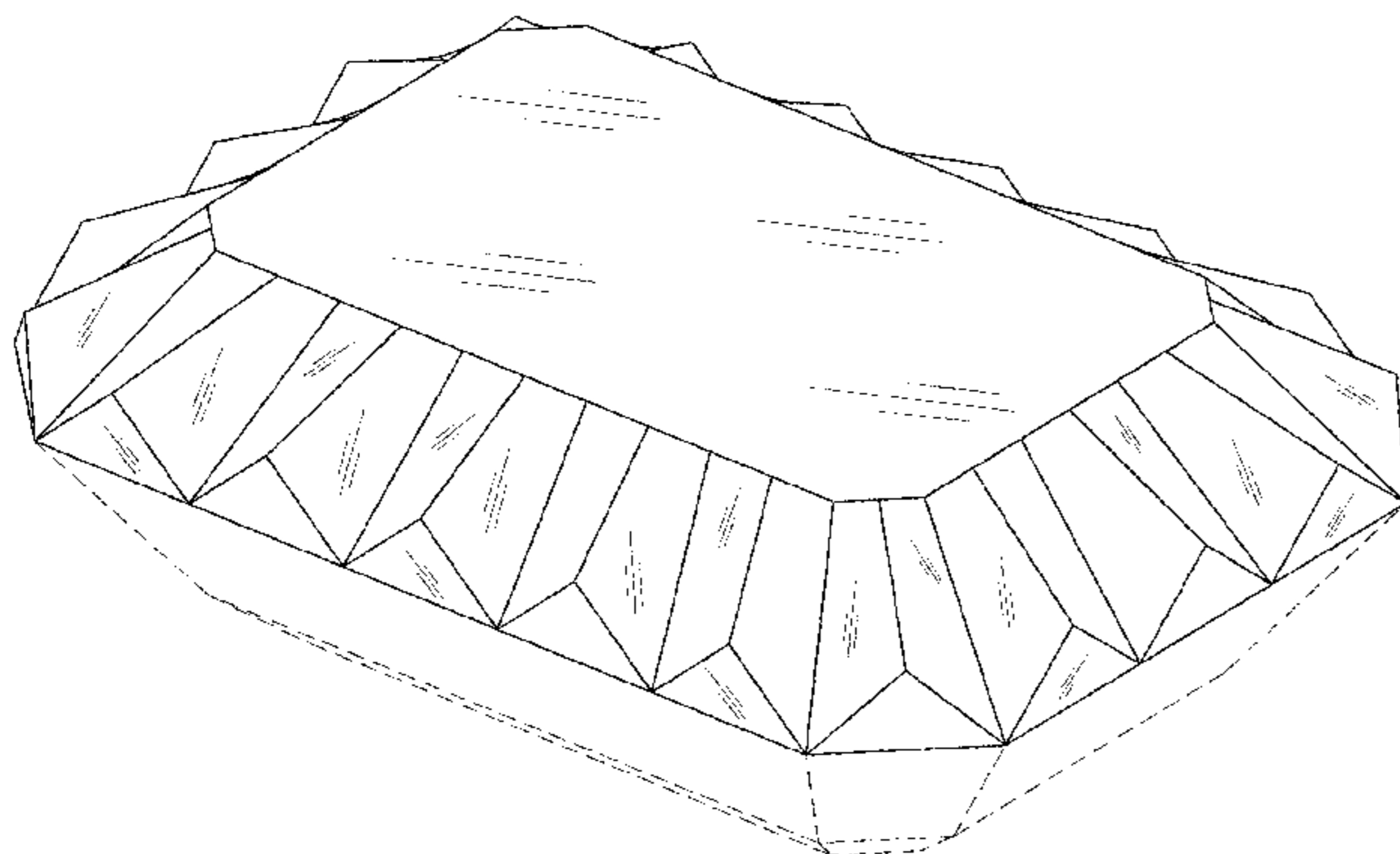
(57) **CLAIM**

We claim the ornamental design for a rectangular emerald cut stone, as shown and described.

DESCRIPTION

FIG. 1 is a top, front, and right side perspective view of a rectangular emerald cut stone;
 FIG. 2 is a bottom, front, and left side perspective view thereof;
 FIG. 3 is a top view thereof;
 FIG. 4 is a bottom view thereof; and
 FIG. 5 is a left side view thereof, the right side view being a mirror image thereof;
 FIG. 6 is a front side view thereof, the rear side view being a mirror image thereof;
 FIG. 7 is a top, front, and right side perspective view of an alternative embodiment of a rectangular emerald cut stone;
 FIG. 8 is a bottom, front, and left side perspective view thereof;
 FIG. 9 is a top view thereof;
 FIG. 10 is a bottom view thereof; and
 FIG. 11 is a left side view thereof, the right side view being a mirror image thereof; and,
 FIG. 12 is a front side view thereof, the rear side view being a mirror image thereof.
 The broken lines in FIGS. 1, 2, 4, 5, 6, 7, 8, 10, 11, AND 12 depict portions of the rectangular emerald cut stone that form no part of the claimed design.

1 Claim, 6 Drawing Sheets



(56)

References Cited

U.S. PATENT DOCUMENTS

D665,698	S	*	8/2012	Mistry	D11/90
D674,313	S	*	1/2013	Siman-Tov	D11/90
D732,419	S	*	6/2015	Wong	D11/86
D742,782	S	*	11/2015	Slowinski	D11/89
D782,934	S	*	4/2017	Riviere	D11/42
D795,125	S	*	8/2017	Slowinski	D11/89
D876,980	S	*	3/2020	Shah	D11/90
D886,657	S	*	6/2020	Yatsugi-Kang	D11/7

* cited by examiner

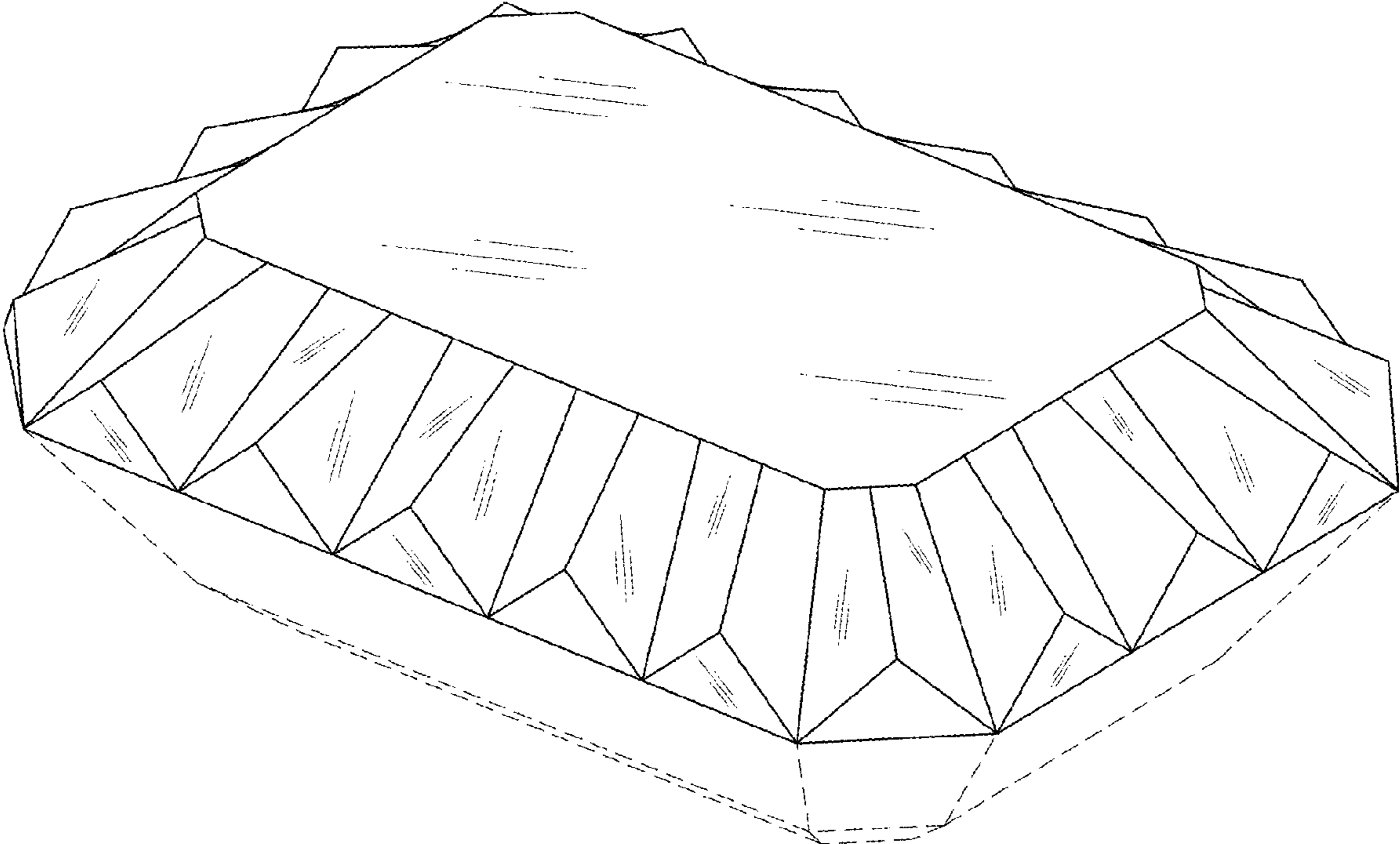


FIG. 1

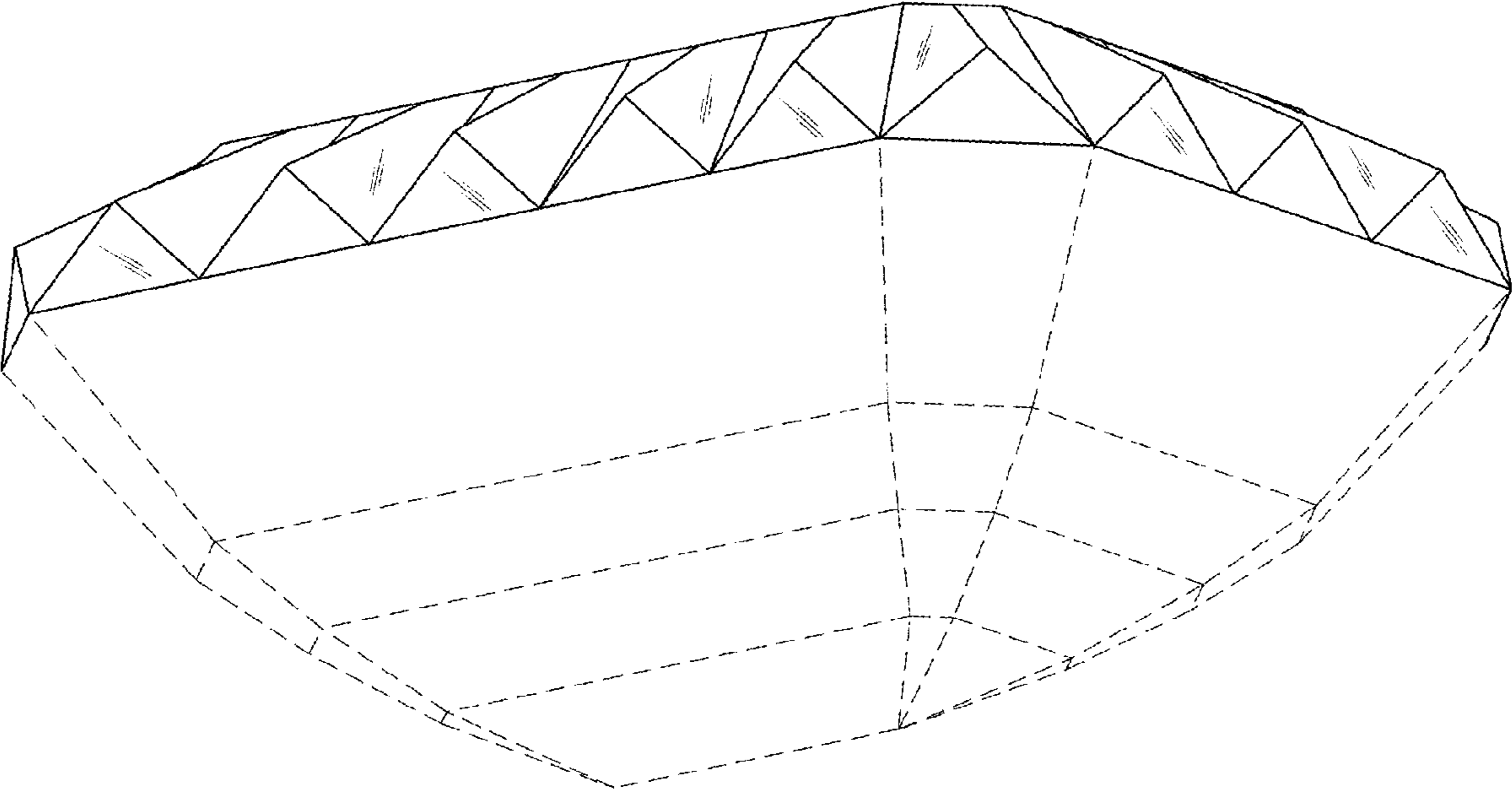


FIG. 2

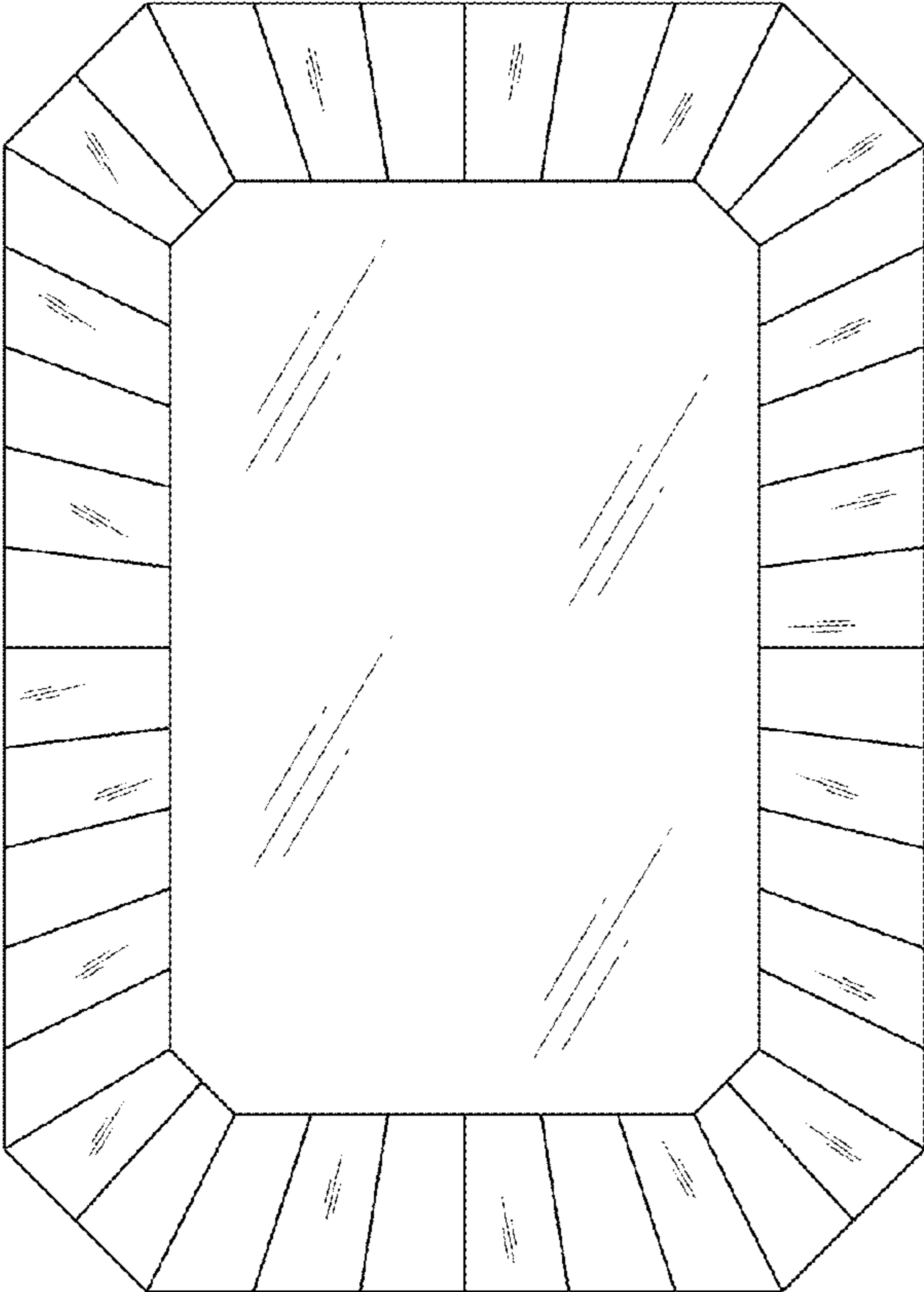


FIG. 3

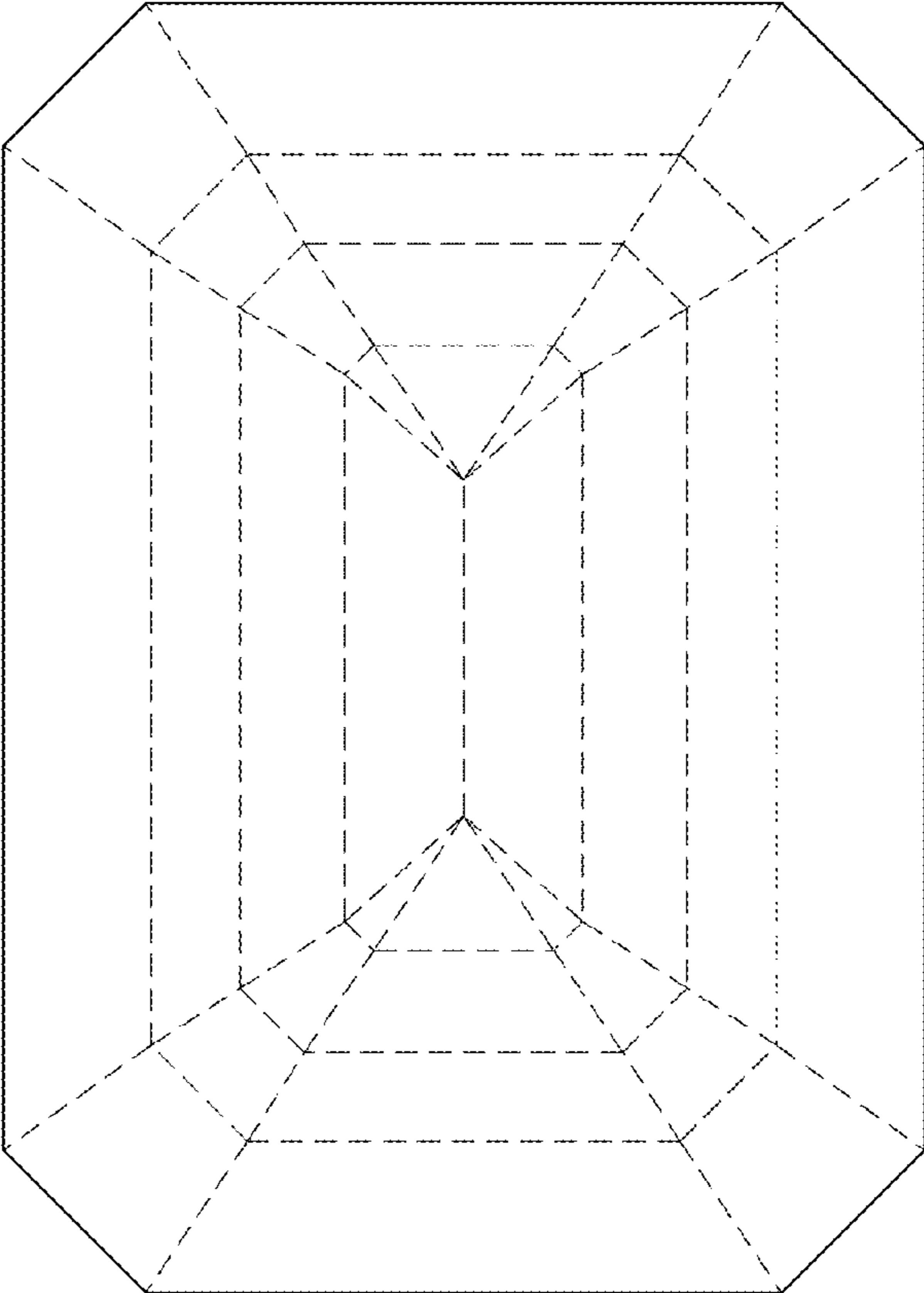


FIG. 4

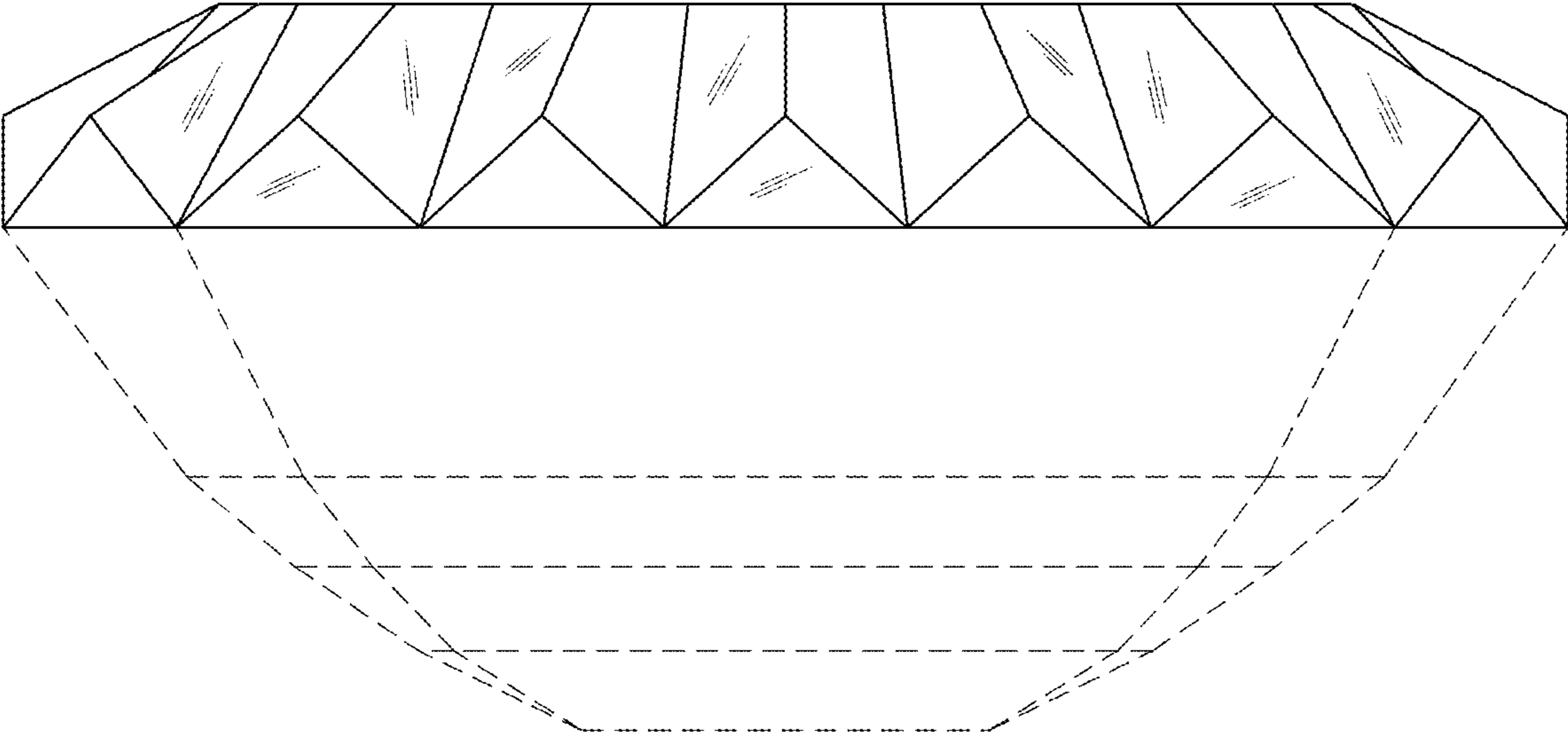


FIG. 5

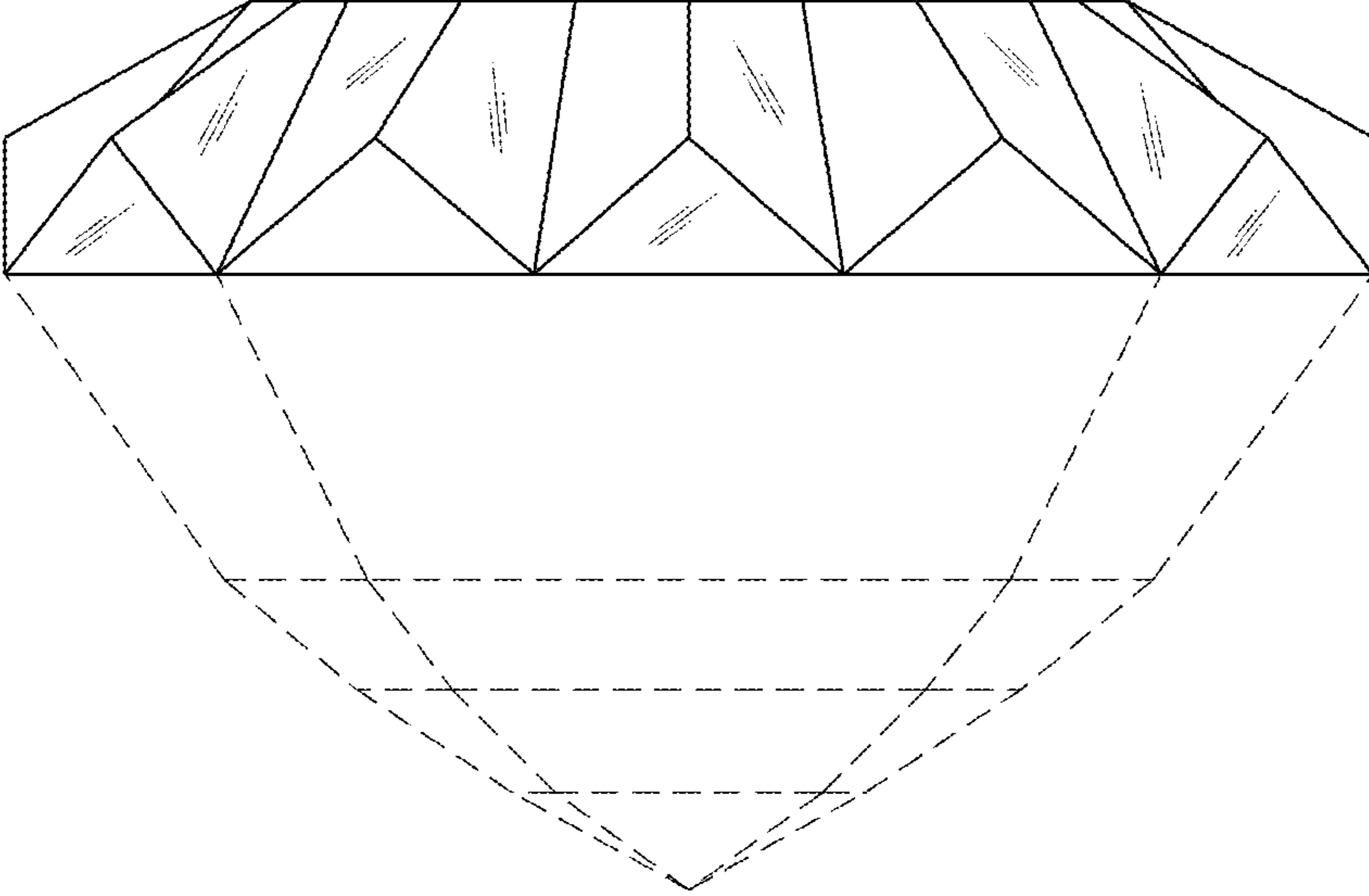


FIG. 6

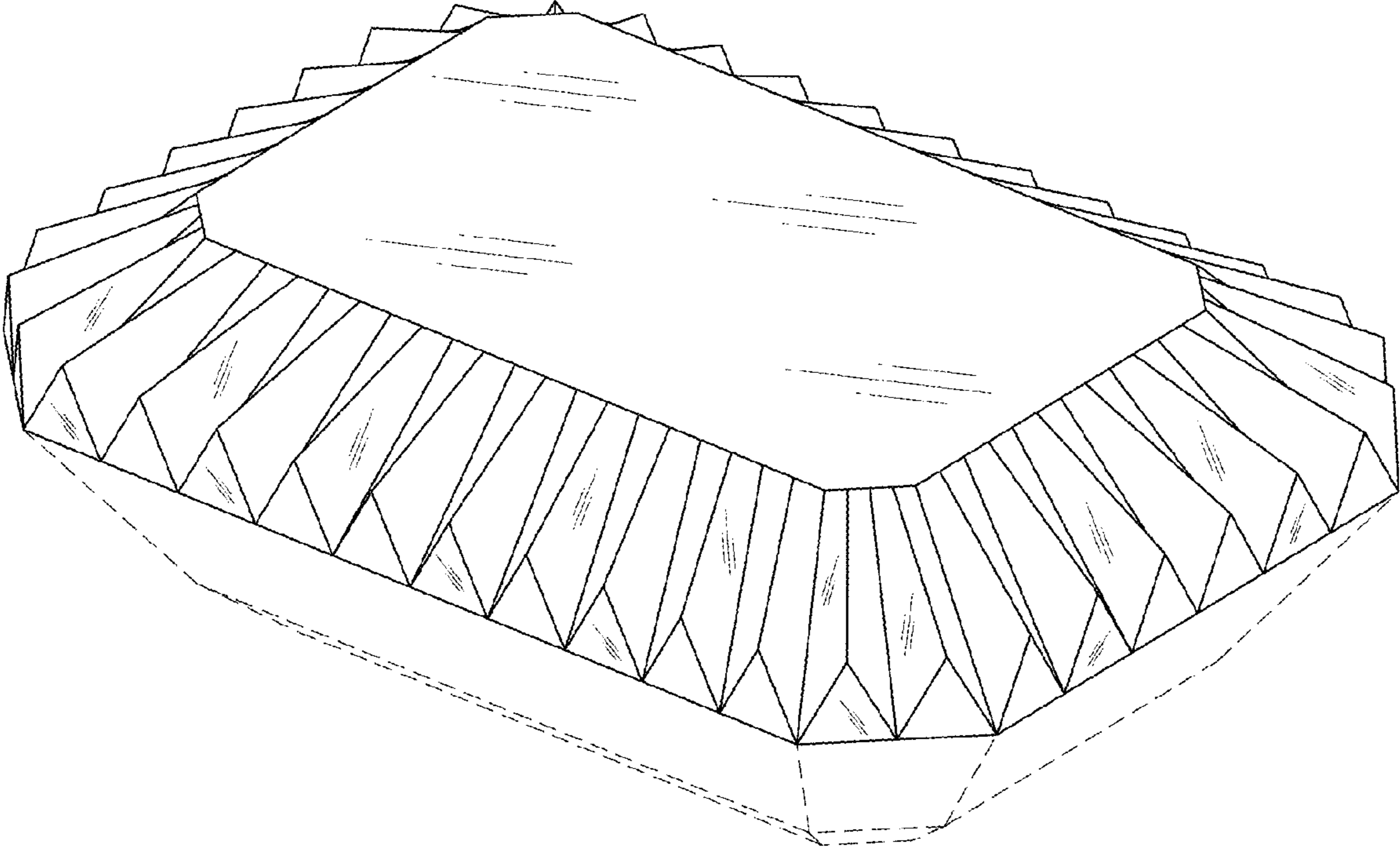


FIG. 7

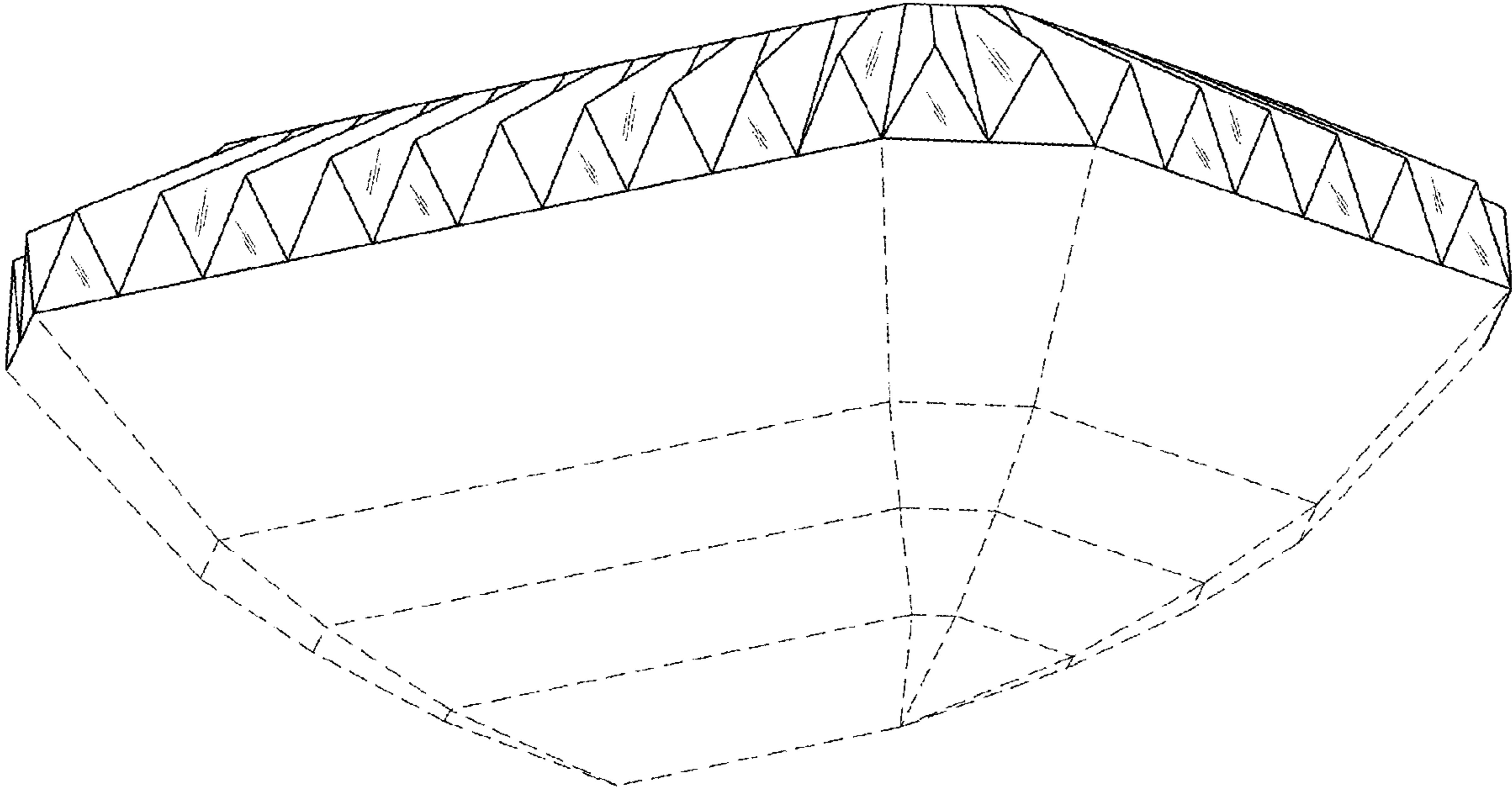


FIG. 8

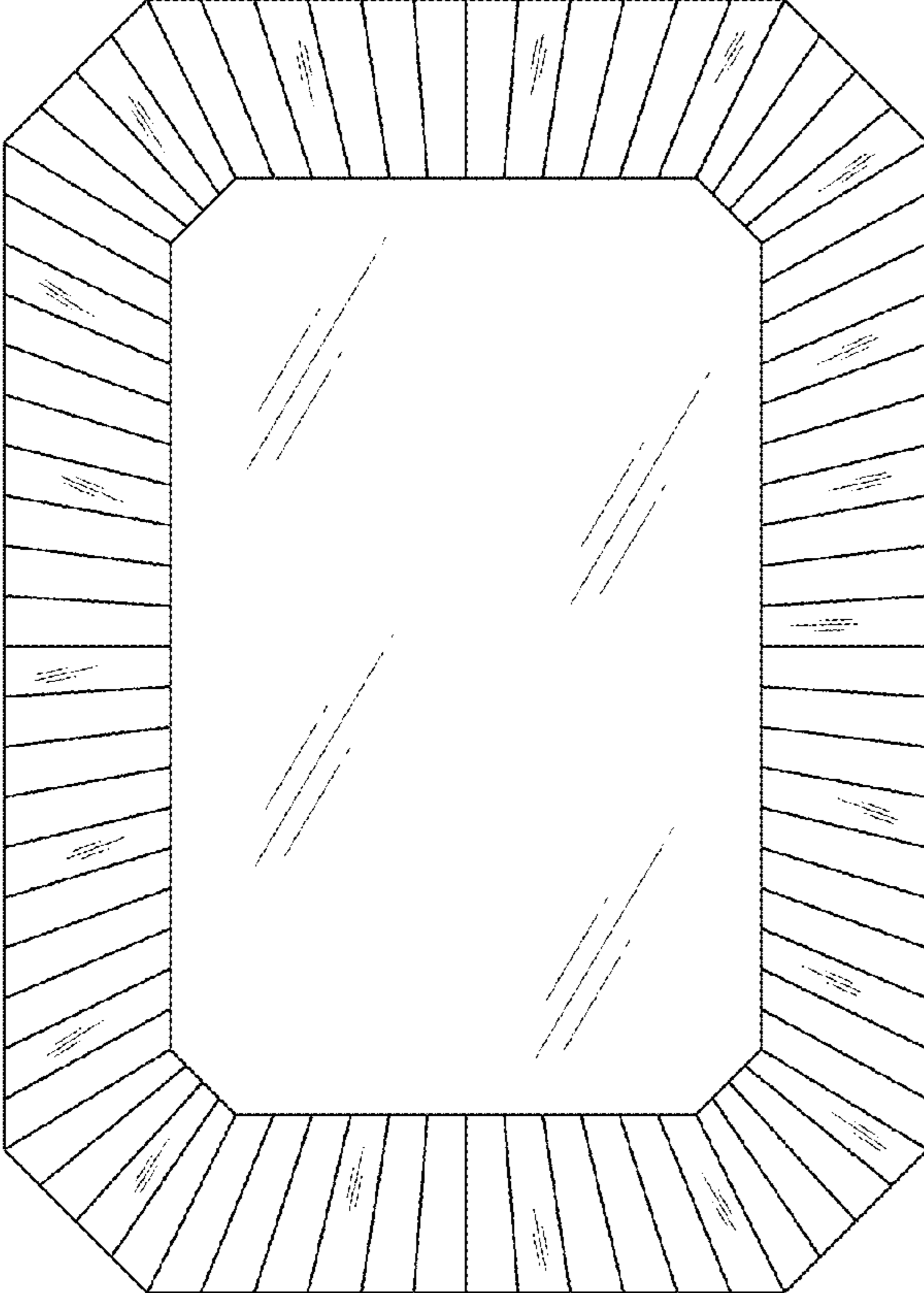


FIG. 9

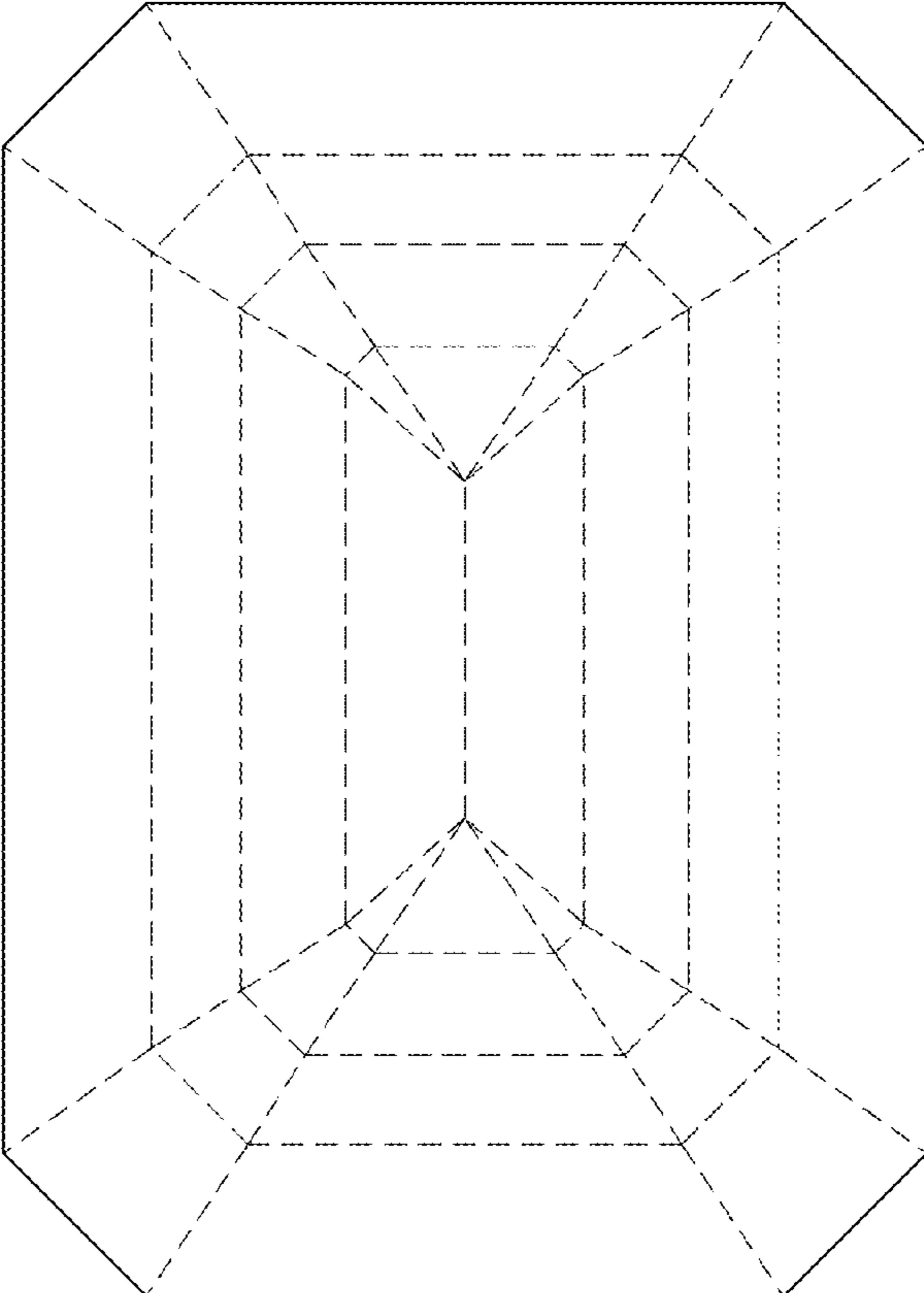


FIG. 10

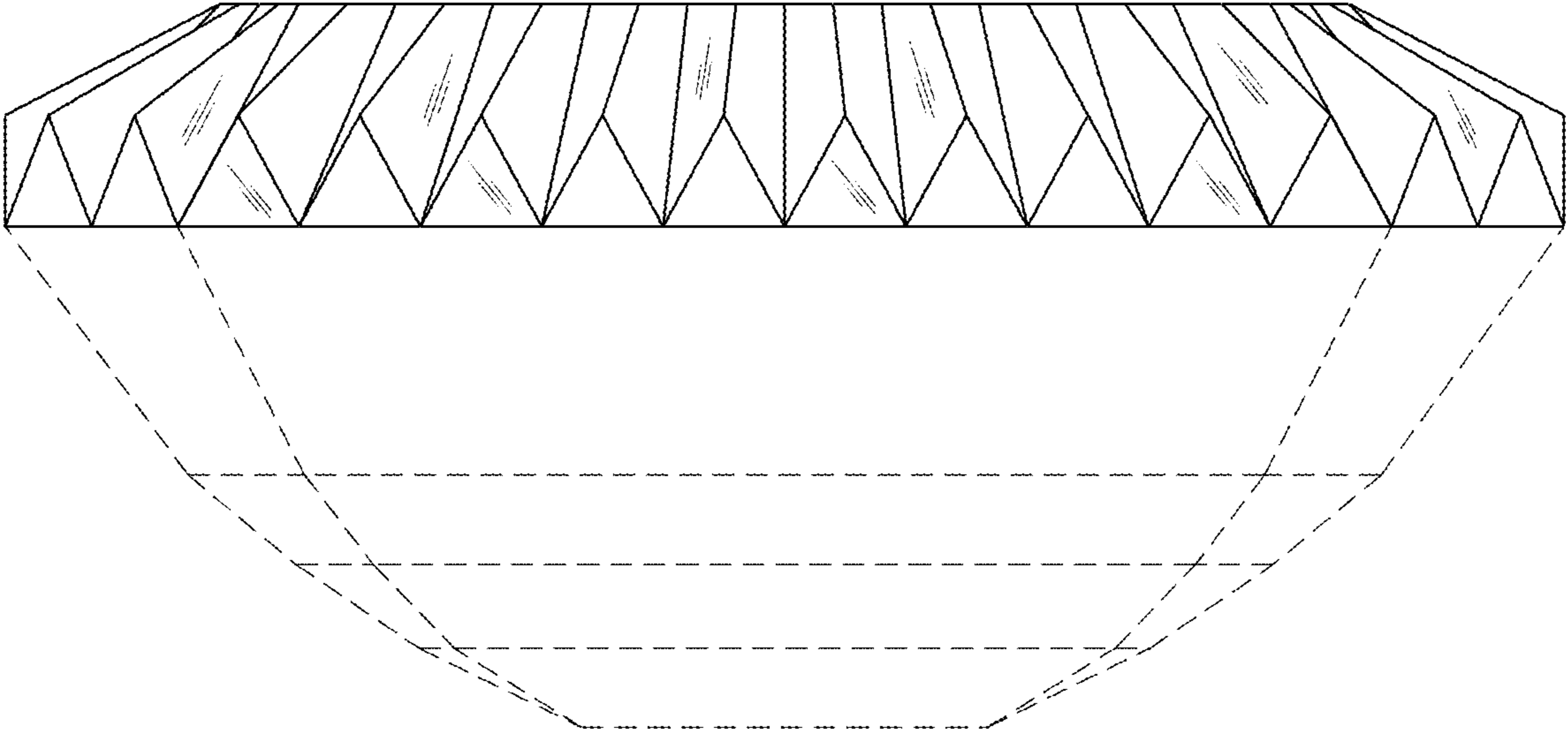


FIG. 11

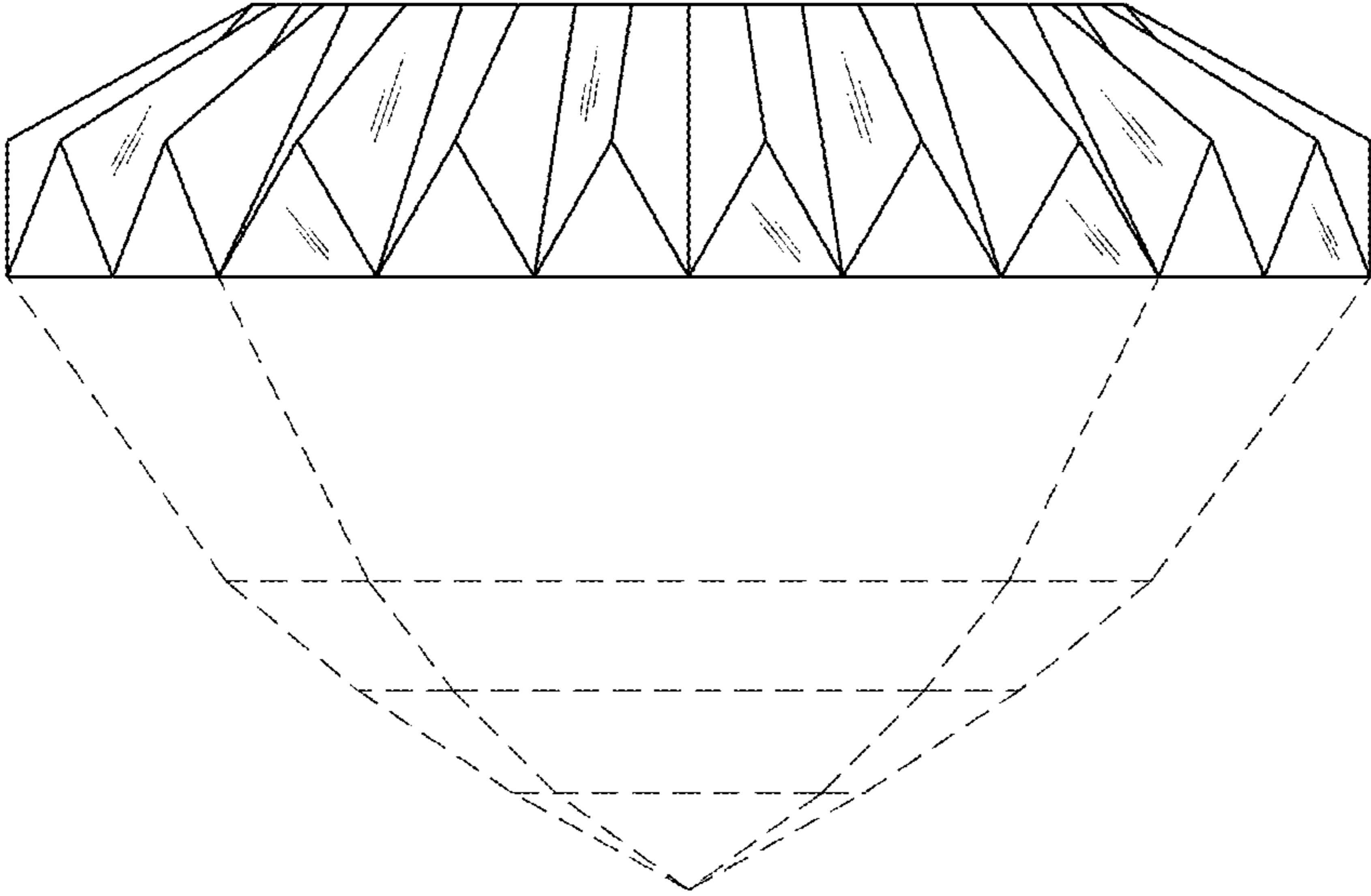


FIG. 12