



US00D958680S

(12) **United States Design Patent** (10) **Patent No.:** **US D958,680 S**
Tanaka et al. (45) **Date of Patent:** **** Jul. 26, 2022**

(54) **WARMER FOR AN OPTICAL ANALYZER**
(71) Applicant: **FUJIFILM Corporation**, Tokyo (JP)
(72) Inventors: **Kunihiko Tanaka**, Kanagawa (JP);
Yutaka Senda, Kanagawa (JP)

D714,459 S * 9/2014 Develon D24/216
D728,818 S * 5/2015 Burroughs D24/230
D730,537 S * 5/2015 Burroughs D24/226
D865,218 S * 10/2019 Mathers D24/232
D932,929 S * 10/2021 Stone D24/216
D941,491 S * 1/2022 Klein D24/232

(Continued)

(73) Assignee: **FUJIFILM Cornoration**, Tokyo (JP)
(**) Term: **15 Years**

FOREIGN PATENT DOCUMENTS

(21) Appl. No.: **29/767,677**

CN 304542751 * 9/2017
CN 306108058 * 6/2020

(Continued)

(22) Filed: **Jan. 25, 2021**

OTHER PUBLICATIONS

(30) **Foreign Application Priority Data**

Jul. 28, 2020 (JP) 2020-015660 D

(51) **LOC (13) Cl.** **10-05**

(52) **U.S. Cl.**
USPC **D10/102**; D24/231; D24/216

(58) **Field of Classification Search**
USPC D10/96-103, 65-80, 61; D24/216, 232,
D24/186, 217, 224, 226, 227, 2, 29, 230,
D24/231; D16/237, 250, 130, 136, 199

CPC G01N 35/025; G01N 35/00871; G01N
35/1009; G01N 35/02; G01N 35/00712;
G01N 2035/00891; G01N 2035/1025;
G01N 2035/0091; G01N 2035/0441;
G01N 2035/0446; G01N 2035/0494;
G01N 35/00722; G01N 35/1004; G01N
11/00; G01N 9/00; G01N 7/00; G01N
5/00; B01L 7/52; B01L 7/00; B01L
2300/0829; B01L 2300/1844; B01L
2300/1816; C12Q 1/00; C12Q 2304/00;
G02B 21/34; G02B 17/06; G02B
27/0025; G02B 25/007; G02B 13/22

See application file for complete search history.

FUJIFILM , Wako Toxinometer ET-7000/E Expansion Module,
[online]retrieved Mar. 21, 2022,available from <https://www.fishersci.com/shop/products/toxinometer-et-7000-e-expansion-module/12333045> (Year: 2022).*

(Continued)

Primary Examiner — Keli L Hill
Assistant Examiner — Sara S Sahneh
(74) *Attorney, Agent, or Firm* — Sughrue Mion, PLLC

(57) **CLAIM**

The ornamental design for a warmer for an optical analyzer,
as shown and described.

DESCRIPTION

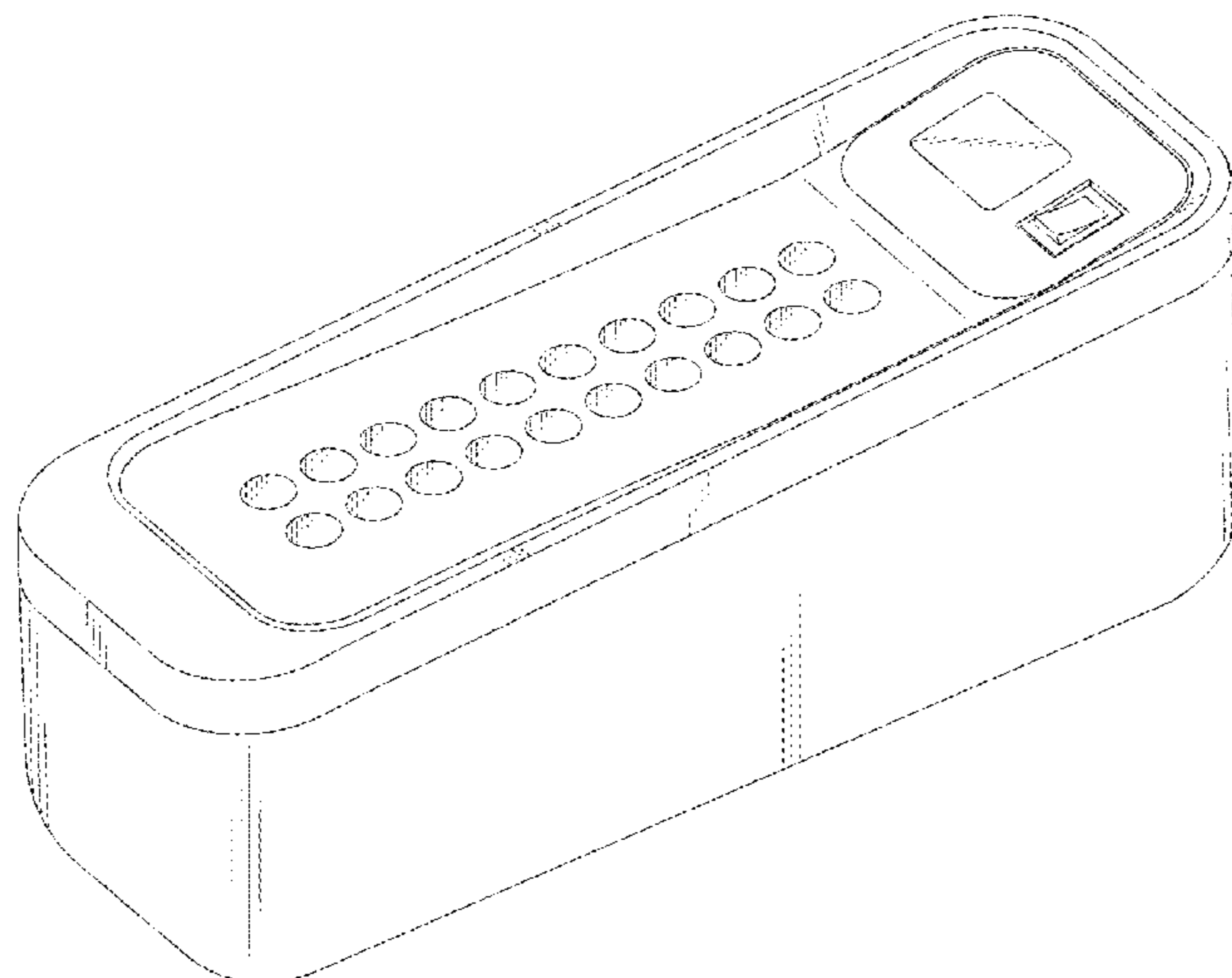
FIG. 1 is a perspective view of a warmer for an optical
analyzer, showing the new design;
FIG. 2 is a front view thereof;
FIG. 3 is a rear view thereof;
FIG. 4 is a right side view thereof;
FIG. 5 is a left side view thereof;
FIG. 6 is a top view thereof; and,
FIG. 7 is a bottom view thereof.

(56) **References Cited**

U.S. PATENT DOCUMENTS

D421,653 S * 3/2000 Purcell D24/231
D607,569 S * 1/2010 Yukikado D24/186

1 Claim, 7 Drawing Sheets



(56)

References Cited

U.S. PATENT DOCUMENTS

D942,646 S * 2/2022 Mathers D24/232
2013/0004954 A1* 1/2013 Bianchessi G01N 21/6428
435/6.12
2014/0273181 A1* 9/2014 Abbott G02B 17/06
359/398
2018/0106788 A1* 4/2018 Rossi G01N 21/314
2019/0143333 A1* 5/2019 Zhang B01L 7/00
422/52

FOREIGN PATENT DOCUMENTS

EM 002412593-0001 * 2/2014
EM 002874412-0001 * 11/2015
EM 008323257-0002 * 12/2020
KR 300740101.0000 * 2/2013
KR 300807266.0000 * 11/2014

OTHER PUBLICATIONS

FUJIFILM ,Toxinometer MT-6500, [online]retrieved Mar. 23, 2022,available from <https://diagnostic-wako.fujifilm.com/asia/products/b-glucan-test/toxinometer-mt6500.html> (Year: 2022).*

FUJIFILM , μ TASWako i30 , [online]retrieved Mar. 23, 2022,available from <https://diagnostic-wako.fujifilm.com/asia/products/hcc-risk-biomarkers/utaswako-i30.html> (Year: 2022).*

Thomas Scientific, Test Tube Heater, Date first available from Wayback Machine Nov. 28, 2020, [online]retrieved Mar. 24, 2022, available from wayback <https://www.thomassci.com/scientific-supplies/Test-Tube-Heater> (Year: 2020).*

* cited by examiner

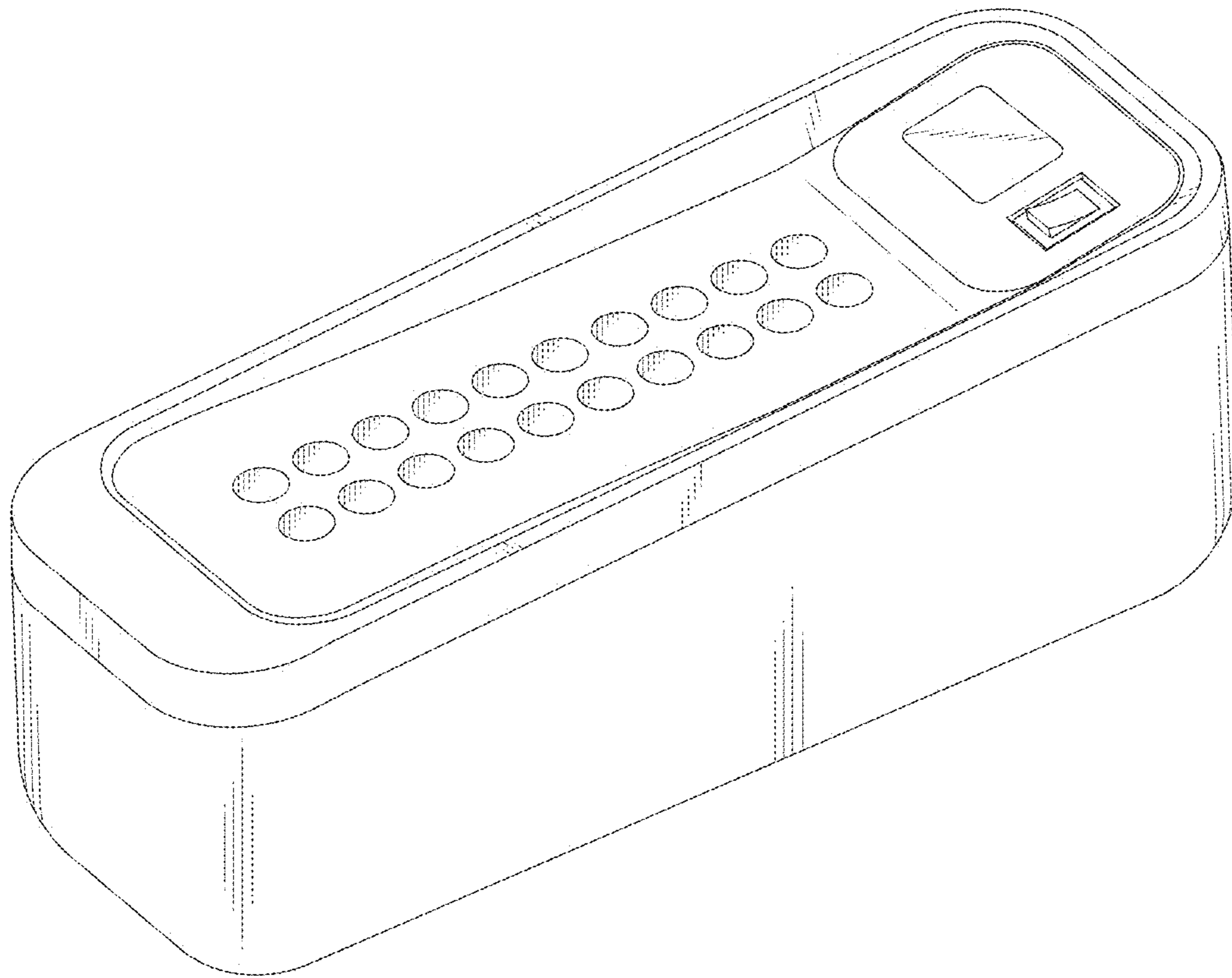


FIG. 1

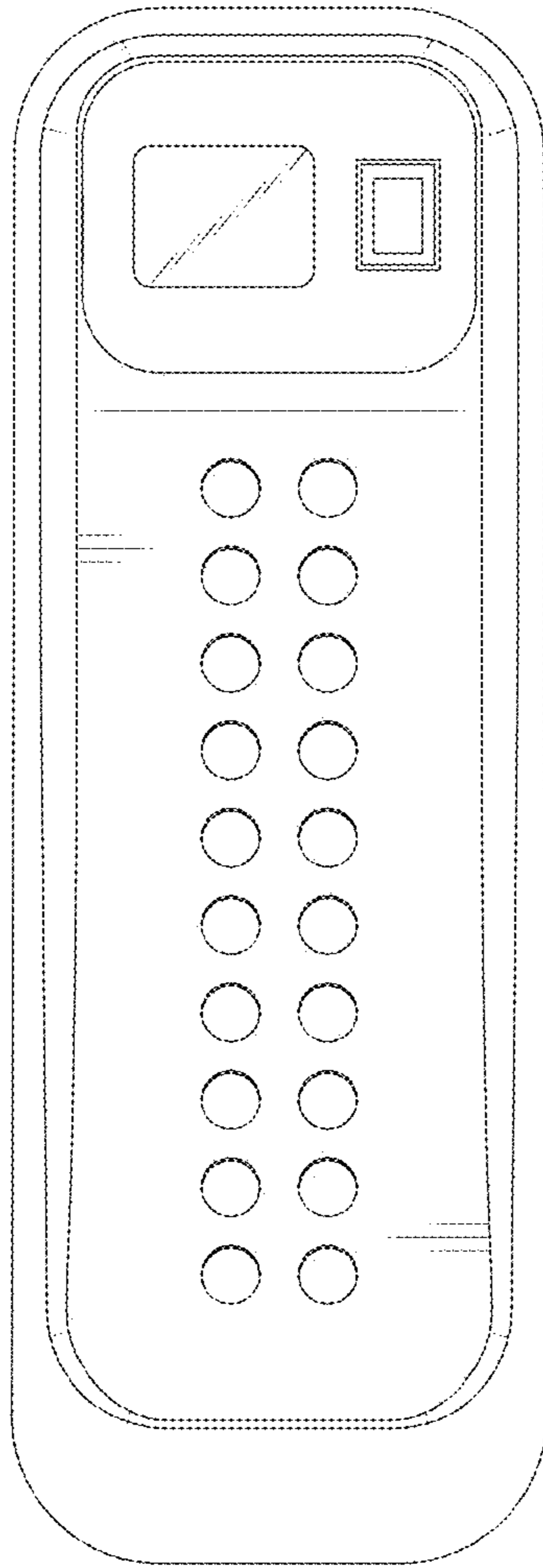


FIG. 2

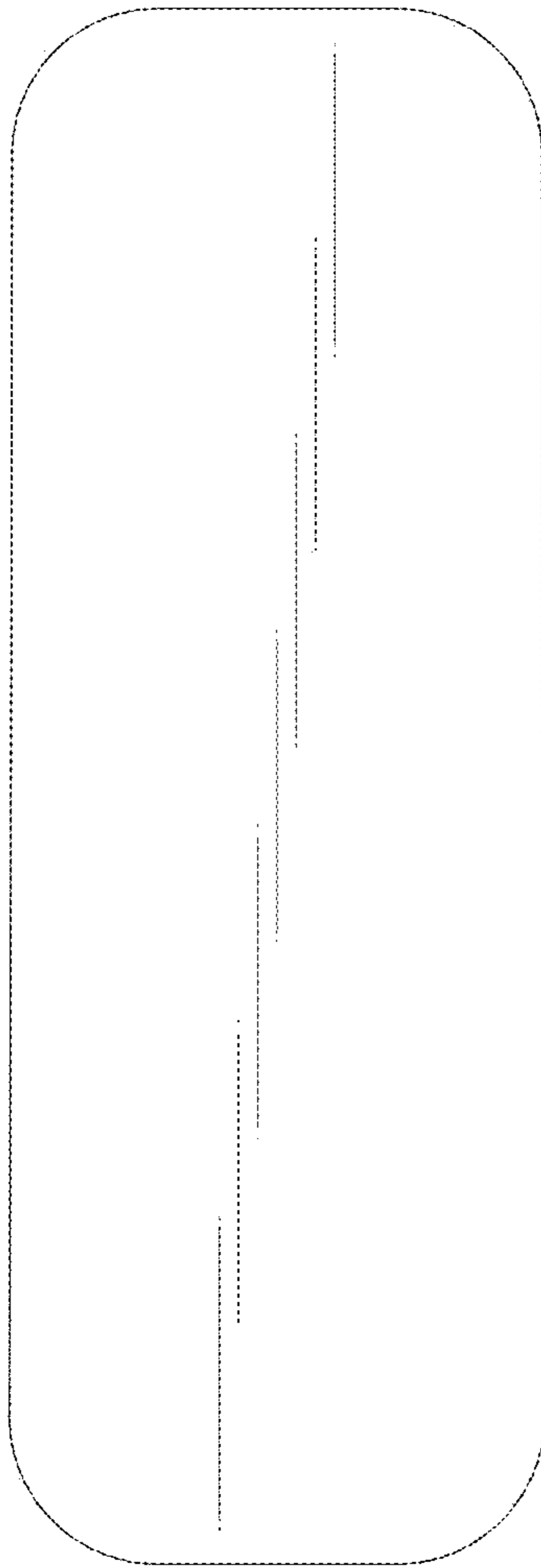


FIG. 3

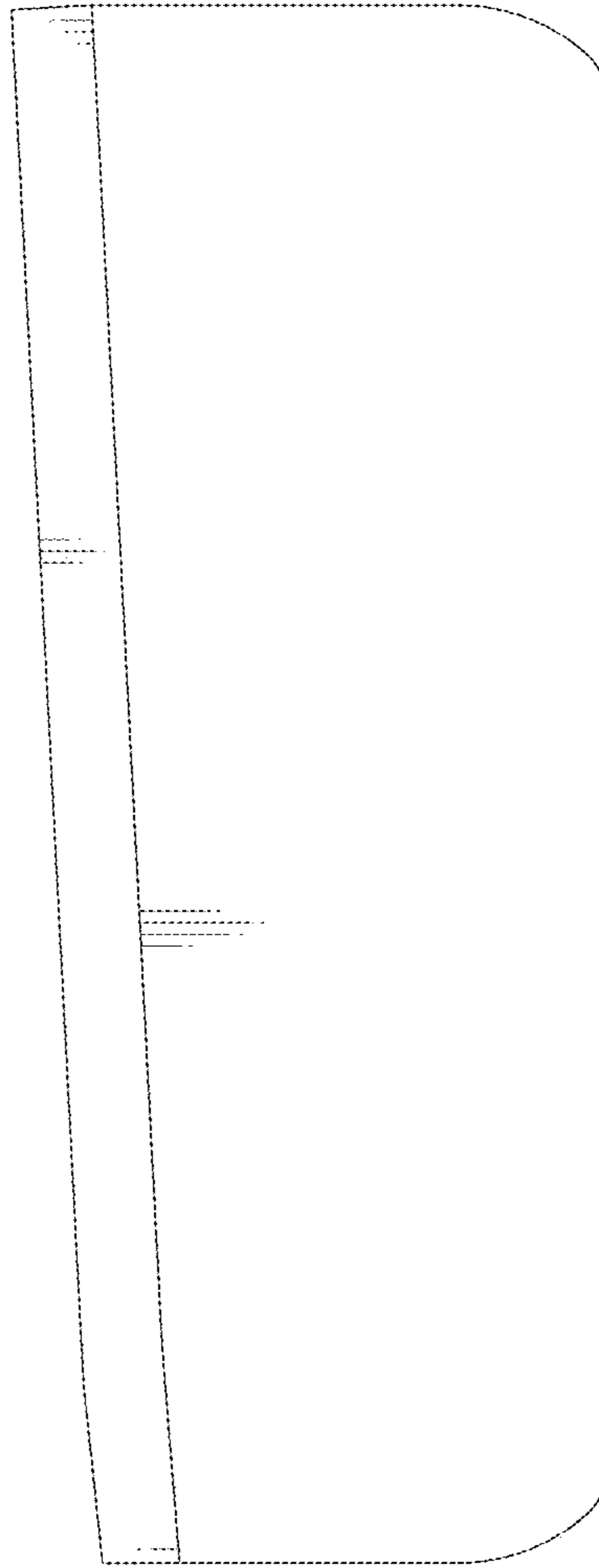


FIG. 4

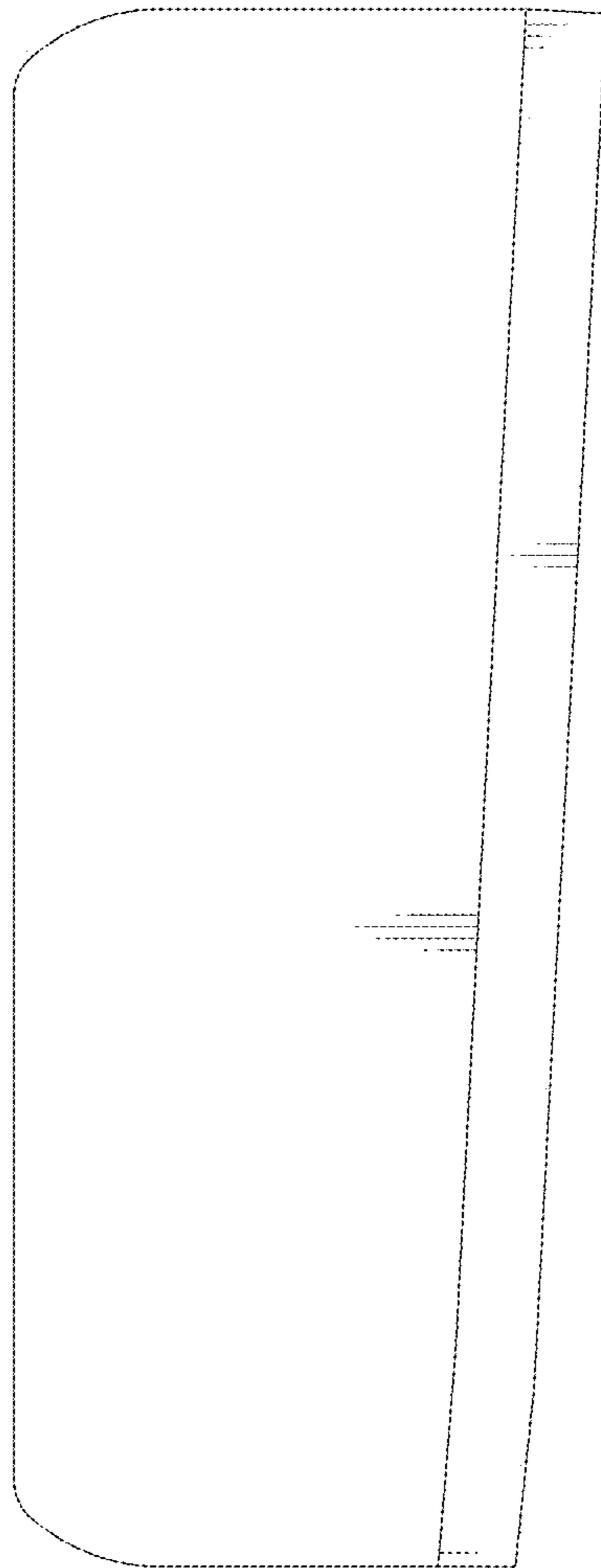


FIG. 5

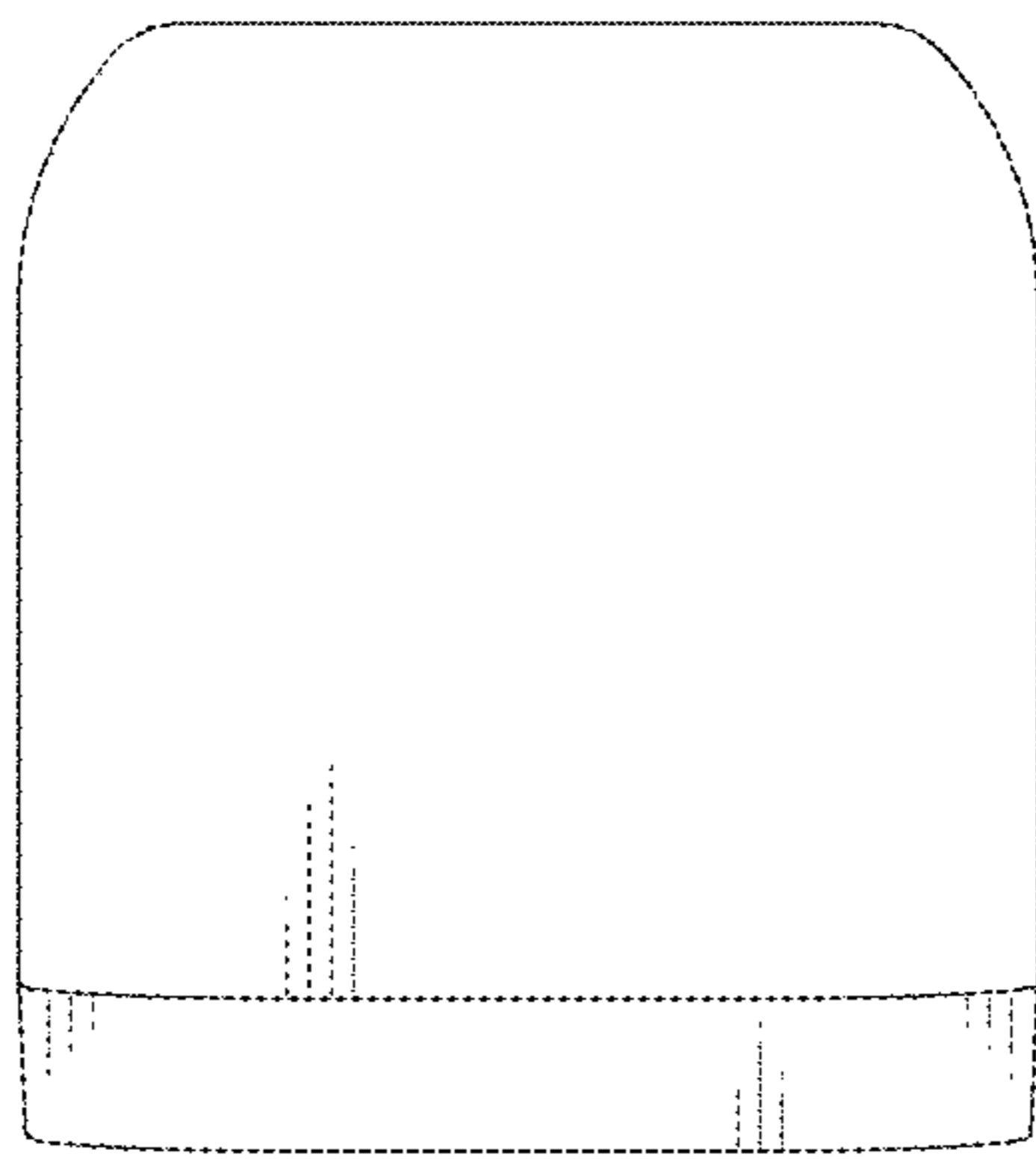


FIG. 6

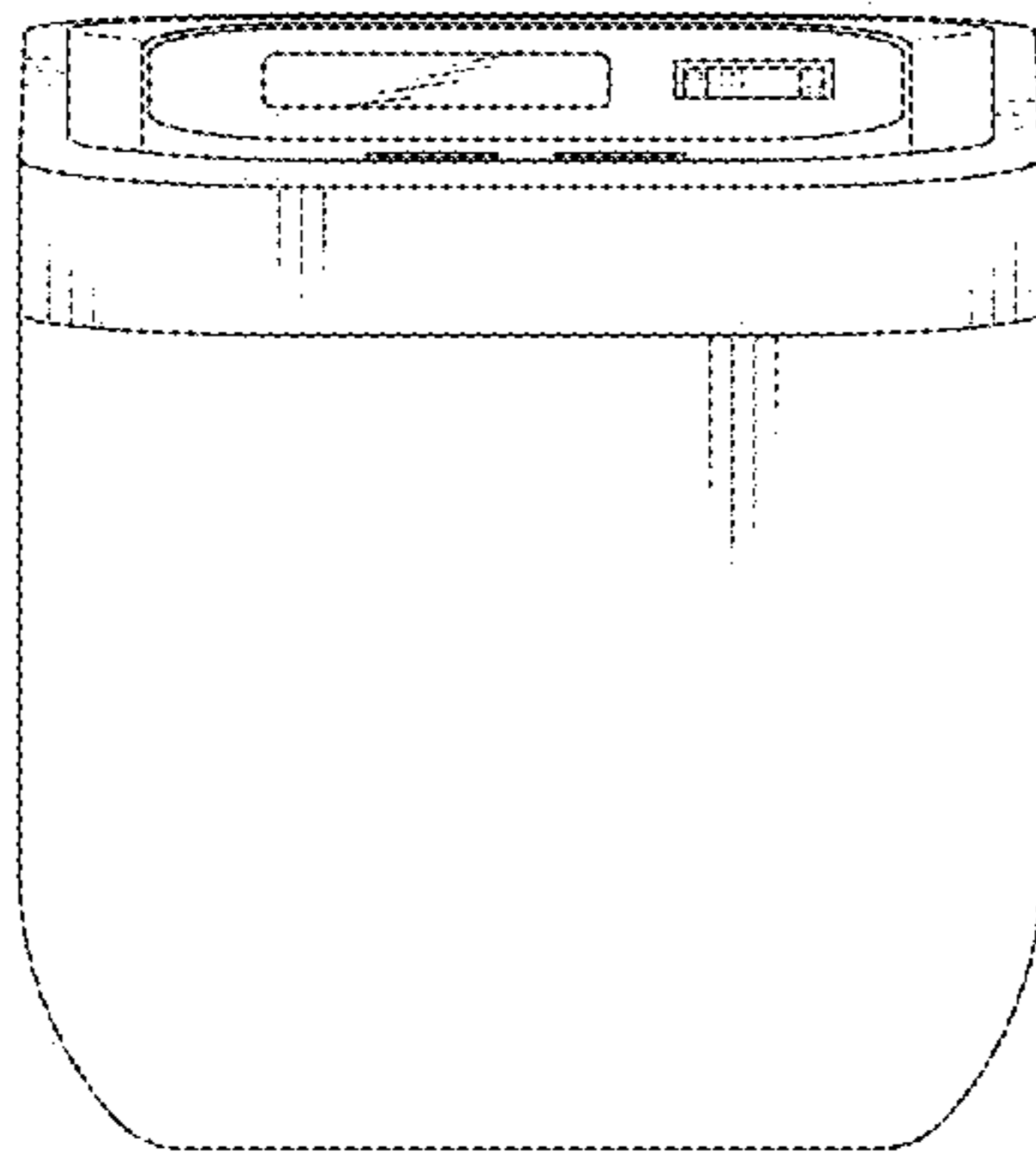


FIG. 7