



US00D958676S

(12) **United States Design Patent**  
**Liu**

(10) **Patent No.:** **US D958,676 S**

(45) **Date of Patent:** **\*\* Jul. 26, 2022**

(54) **THERMOMETER**

(71) Applicant: **Shenzhen HyperSynes Co., Ltd.**,  
Shenzhen (CN)

(72) Inventor: **Linqing Liu**, Shenzhen (CN)

(73) Assignee: **Shenzhen HyperSynes Co., Ltd.**,  
Shenzhen (CN)

(\*\*) Term: **15 Years**

(21) Appl. No.: **29/748,028**

(22) Filed: **Aug. 26, 2020**

(30) **Foreign Application Priority Data**

Jun. 17, 2020 (CN) ..... 202030312426.7

(51) **LOC (13) Cl.** ..... **10-04**

(52) **U.S. Cl.**  
USPC ..... **D10/57**

(58) **Field of Classification Search**  
USPC ..... D10/57  
CPC ..... G01K 1/02; G01K 1/022; G01K 1/024;  
G01K 1/08; G01K 1/083; G01K 1/086;  
G01K 3/00-3/14; G01K 2003/145; G01K  
13/002; G01K 13/004; G01K 2219/00;  
G01K 5/04-5/225; G01K 5/22; G01K  
221/00; G01J 5/04; G01J 5/041; G01J  
5/042; G01J 5/043; G01J 5/044; G01J  
5/045; G01J 5/046; G01J 5/047; G01J  
5/048; G01J 5/049; G01J 5/0265

See application file for complete search history.

(56) **References Cited**

U.S. PATENT DOCUMENTS

D840,846 S \* 2/2019 Liu ..... D10/57  
D935,909 S \* 11/2021 Yu ..... D10/57

\* cited by examiner

*Primary Examiner* — Antoine Duval Davis

(74) *Attorney, Agent, or Firm* — True Shepherd LLC;  
Andrew C. Cheng

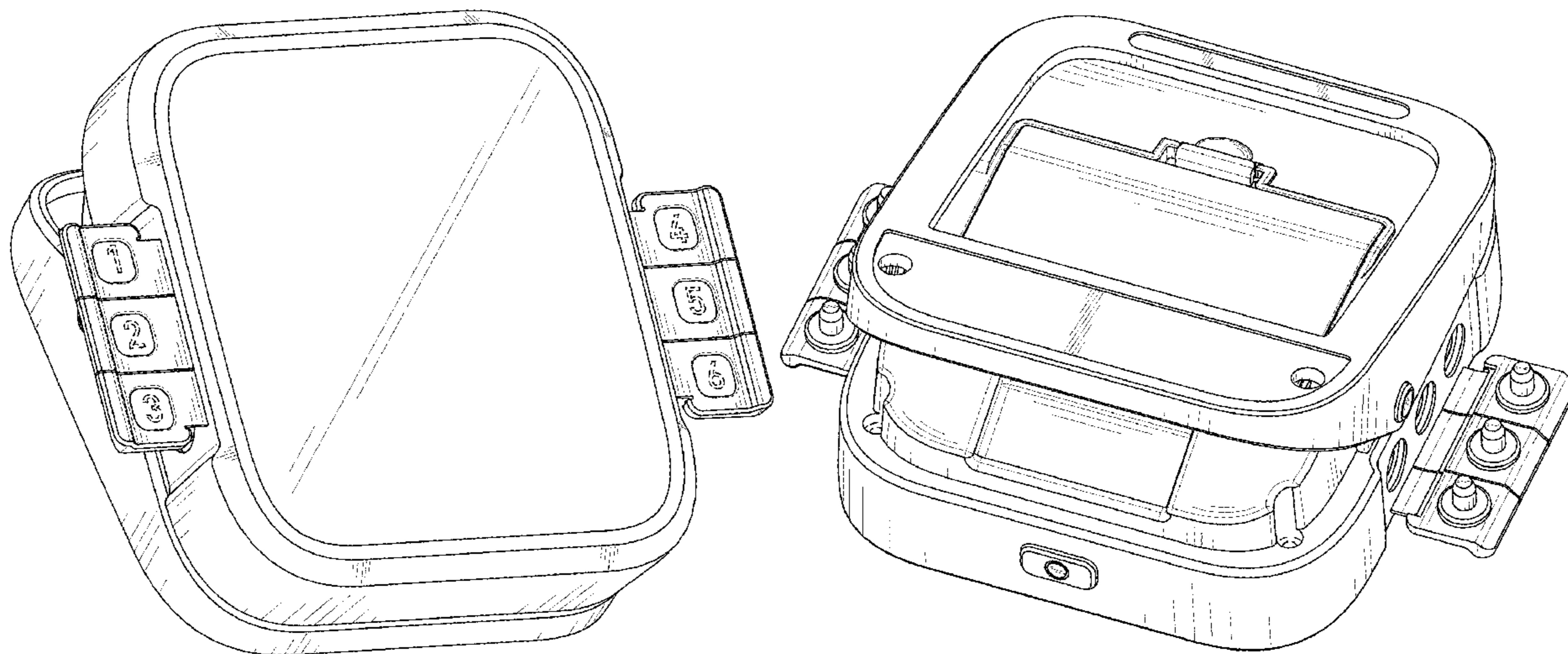
(57) **CLAIM**

The ornamental design for thermometer, as shown and described.

**DESCRIPTION**

FIG. 1 is a perspective view of a thermometer showing my new design;  
FIG. 2 is another perspective view thereof;  
FIG. 3 is a front view thereof;  
FIG. 4 is a rear view thereof;  
FIG. 5 is a left side view thereof;  
FIG. 6 is a right side view thereof;  
FIG. 7 is a top plan view thereof; and,  
FIG. 8 is a bottom plan view thereof.  
The broken lines are for the purposes of illustrating portions of the thermometer and form no part of the claimed design.

**1 Claim, 8 Drawing Sheets**



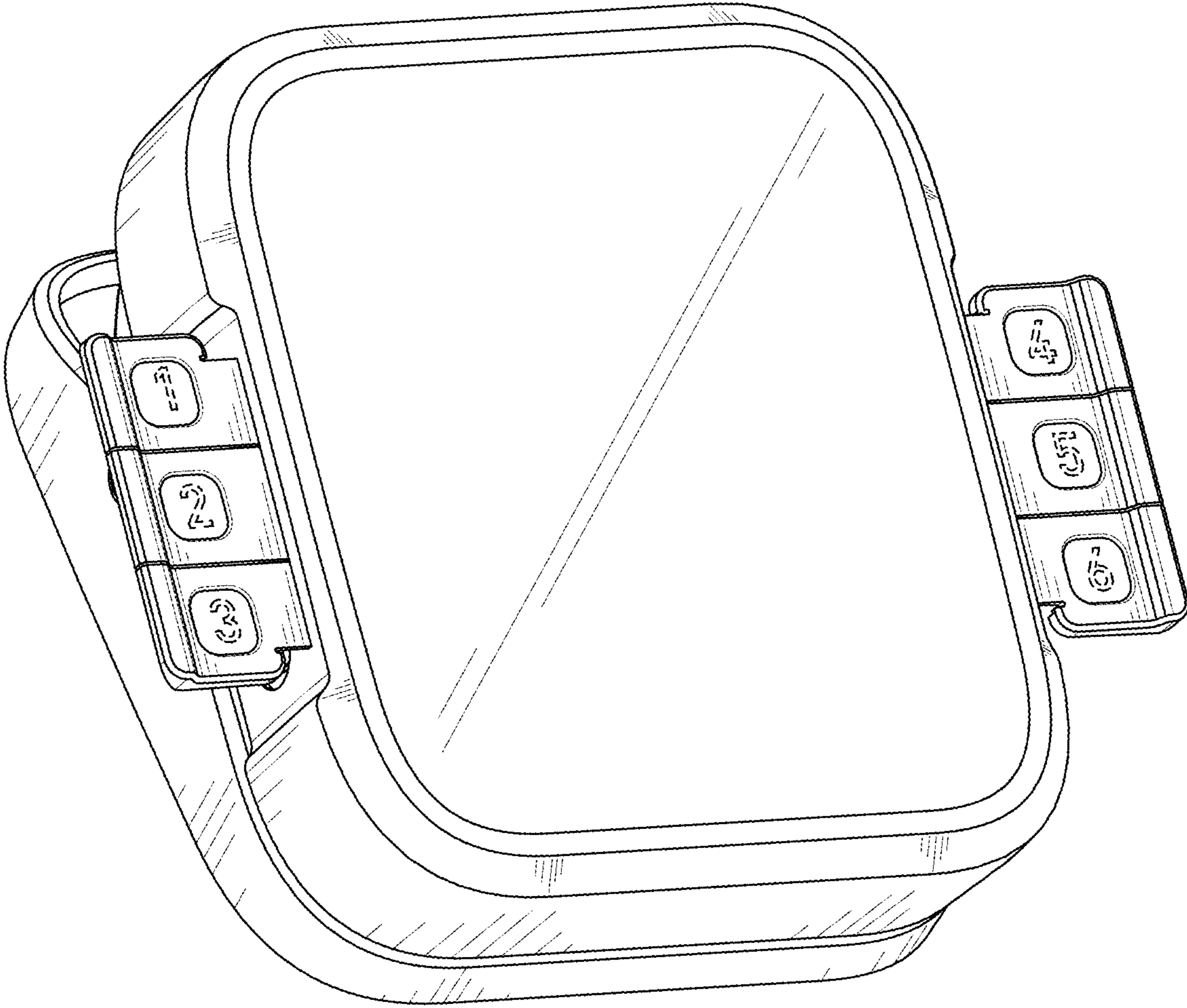


FIG. 1

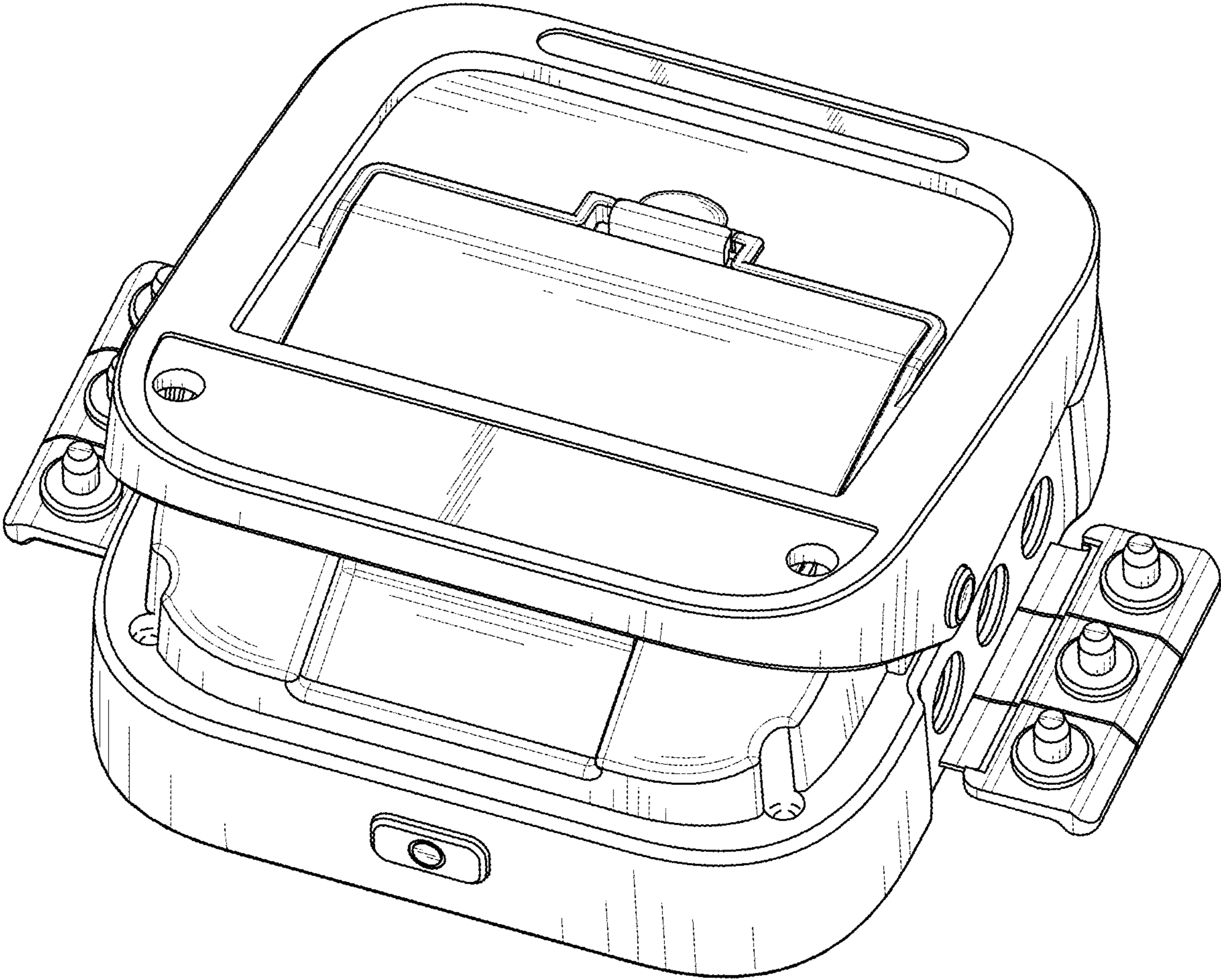


FIG. 2

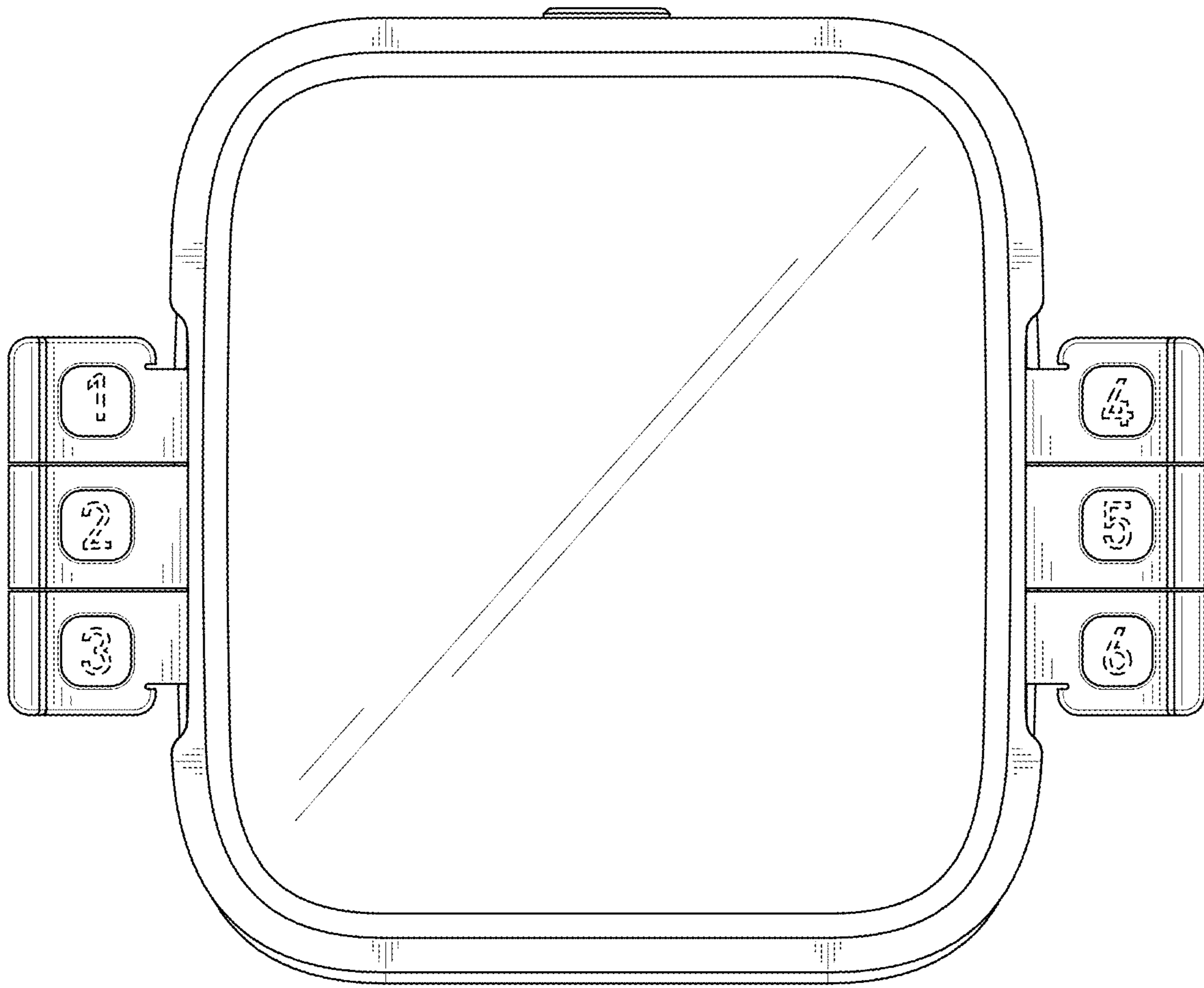


FIG. 3

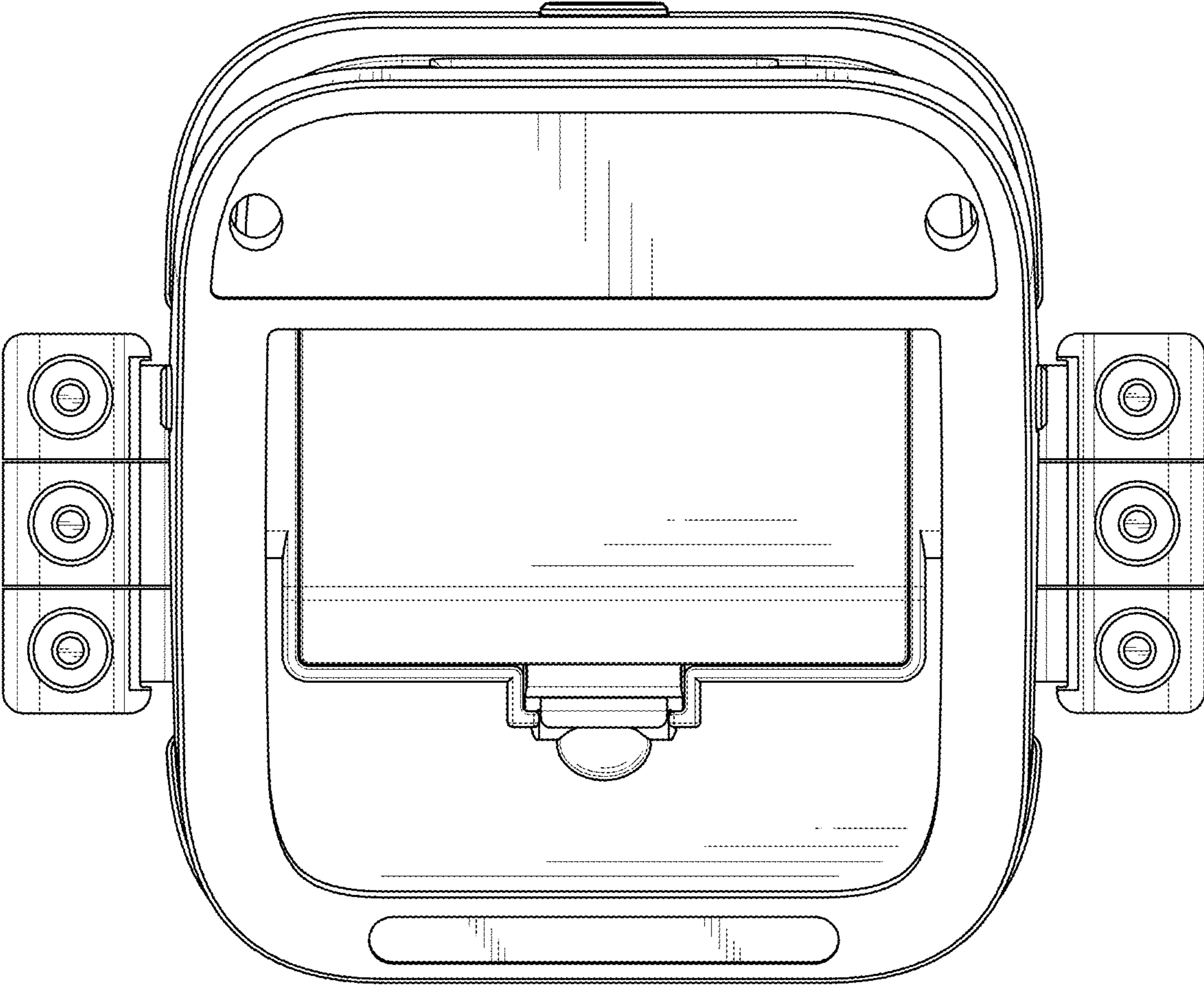


FIG. 4

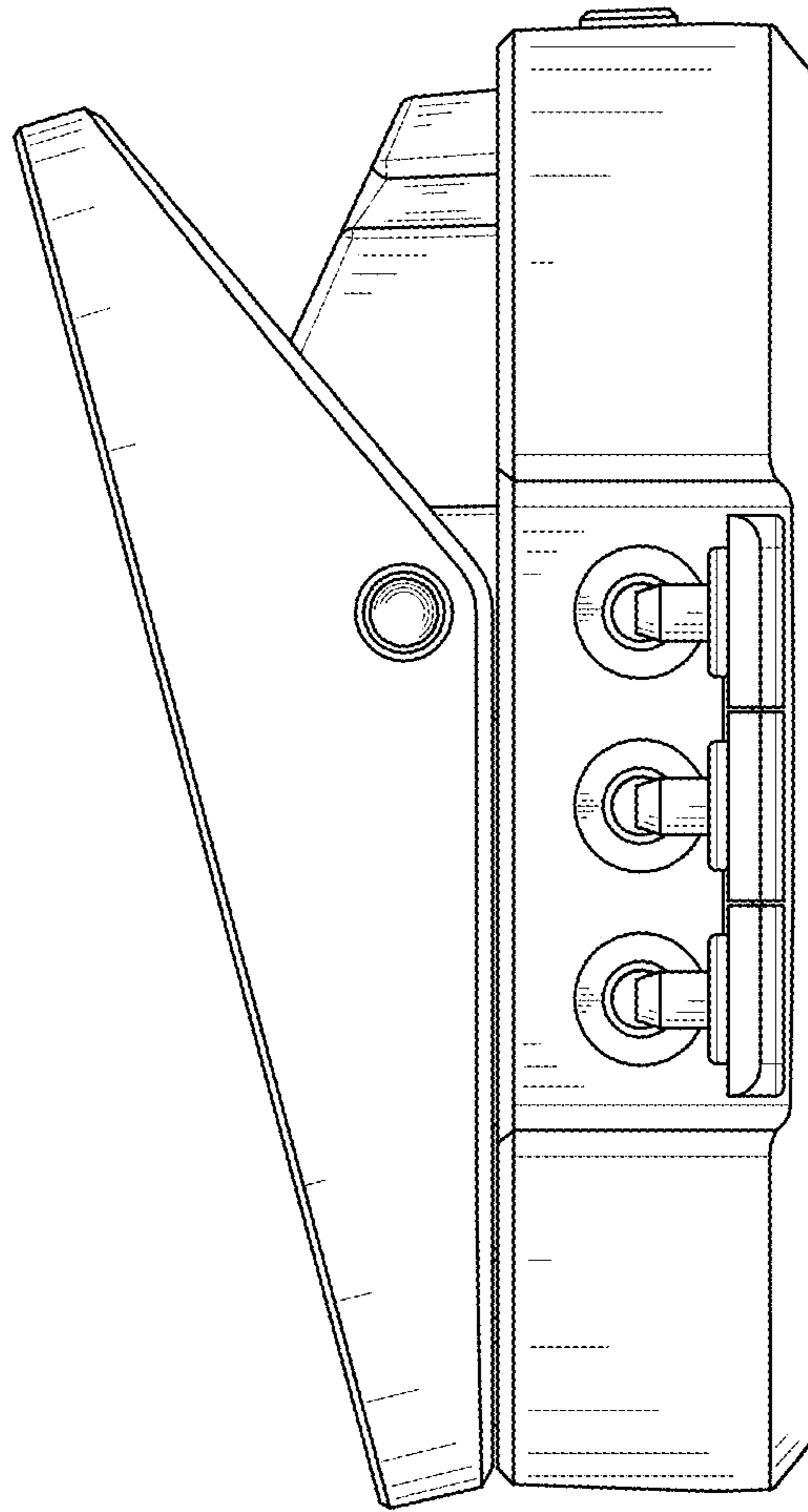


FIG. 5

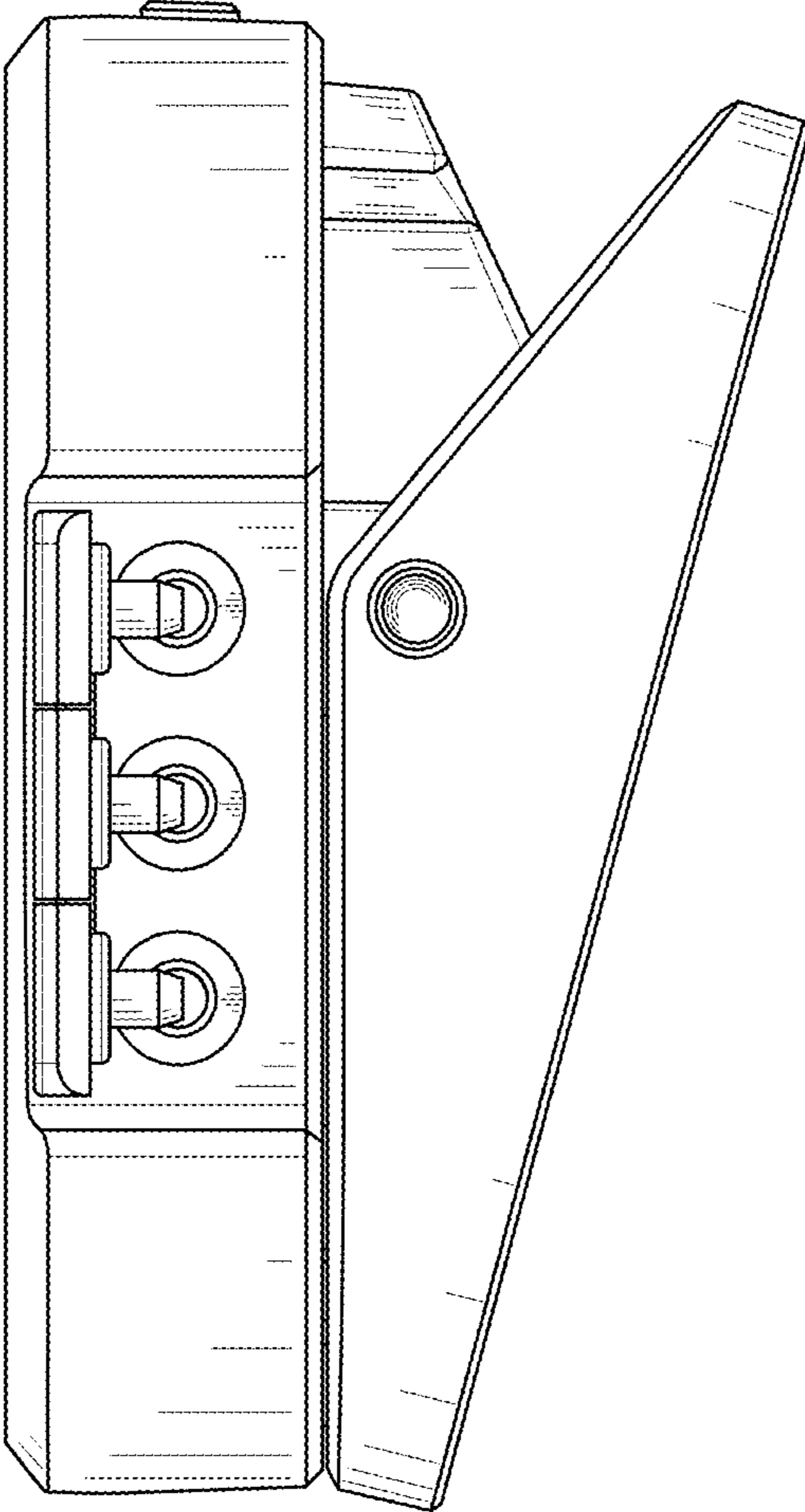


FIG. 6

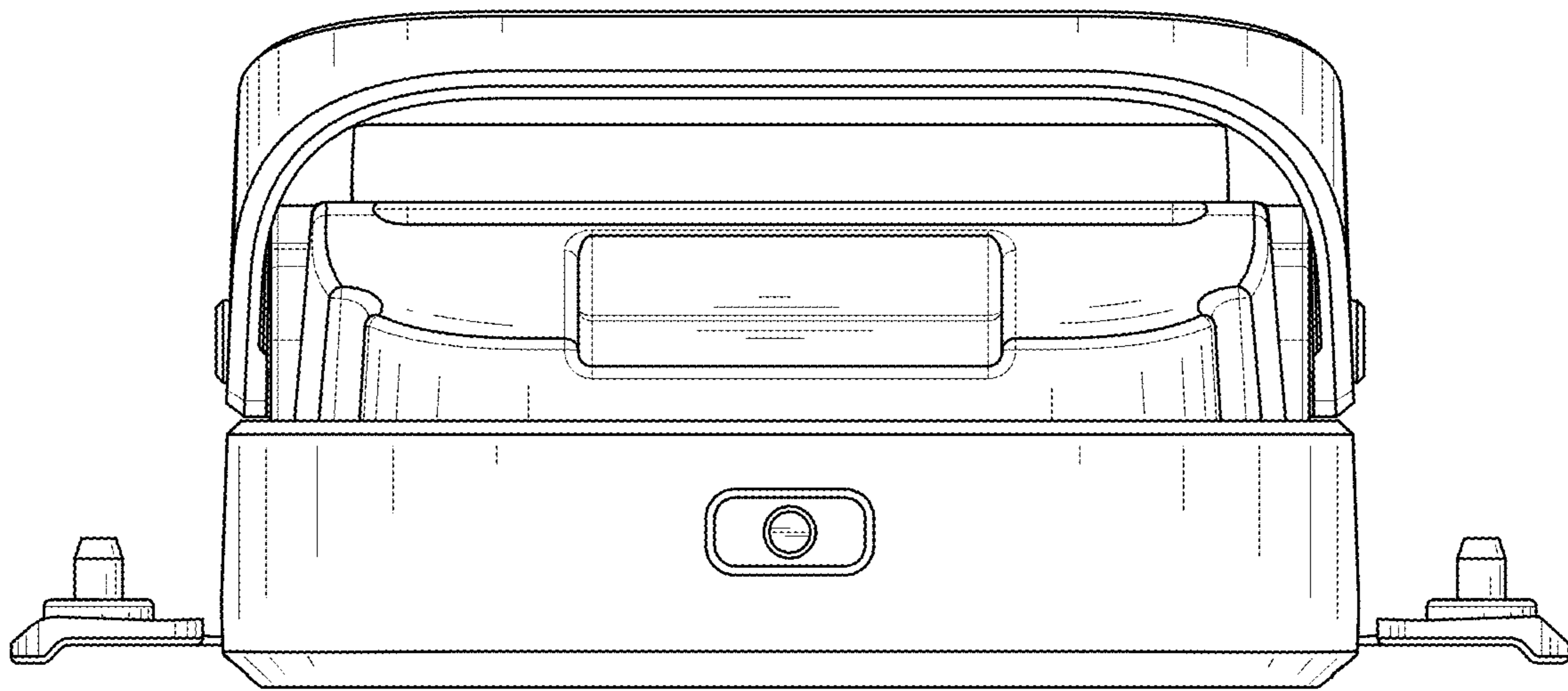


FIG. 7



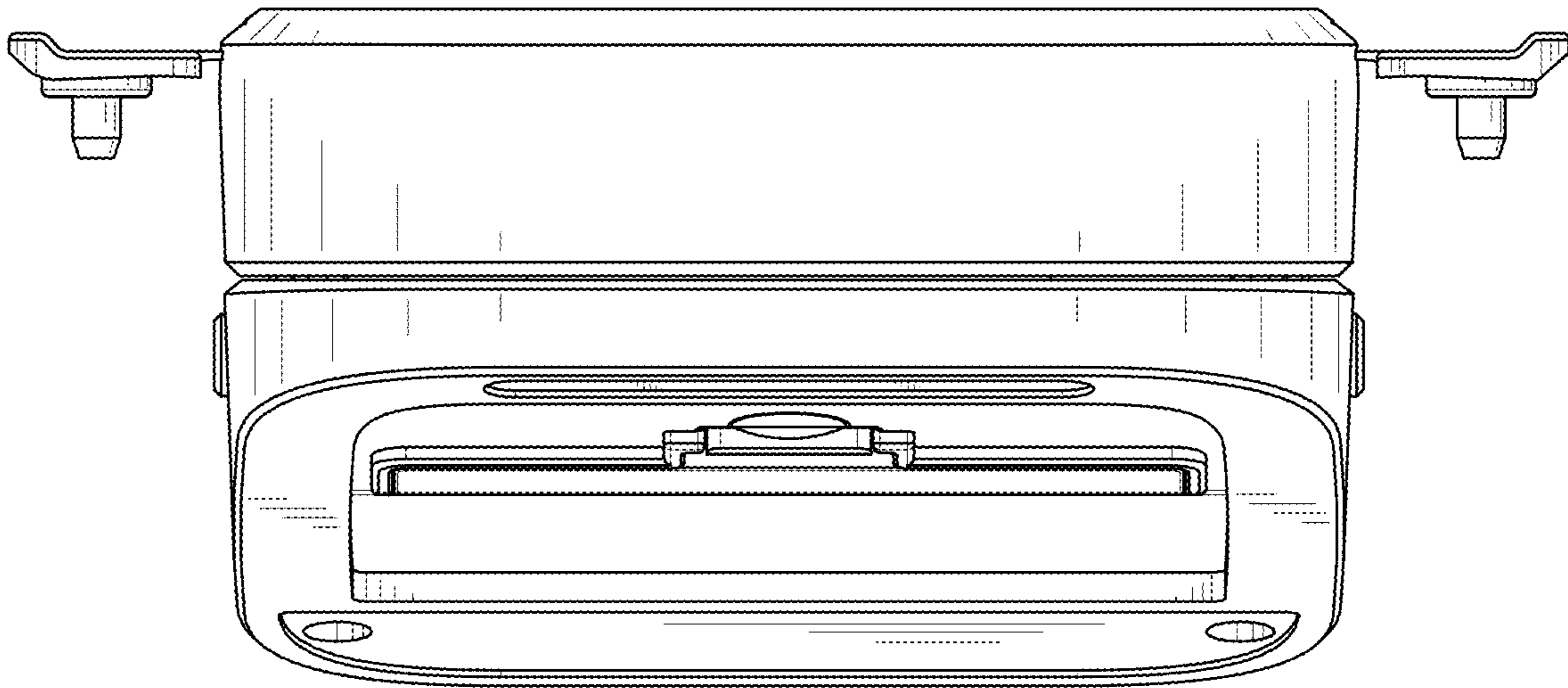


FIG. 8