



US00D958675S

(12) **United States Design Patent**
Liu

(10) **Patent No.:** **US D958,675 S**
(45) **Date of Patent:** **** Jul. 26, 2022**

(54) **THERMOMETER**

5/045; G01J 5/046; G01J 5/047; G01J 5/048; G01J 5/049; G01J 5/0265

(71) Applicant: **Shenzhen HyperSynes Co., Ltd.**,
Shenzhen (CN)

See application file for complete search history.

(72) Inventor: **Linqing Liu**, Shenzhen (CN)

(56) **References Cited**

(73) Assignee: **Shenzhen HyperSynes Co., Ltd.**,
Shenzhen (CN)

U.S. PATENT DOCUMENTS

(**) Term: **15 Years**

D932,927 S * 10/2021 Wu D10/57

(21) Appl. No.: **29/748,025**

* cited by examiner

(22) Filed: **Aug. 26, 2020**

Primary Examiner — Antoine Duval Davis
(74) *Attorney, Agent, or Firm* — True Shepherd LLC;
Andrew C. Cheng

(30) **Foreign Application Priority Data**

(57) **CLAIM**

Jun. 11, 2020 (CN) 202030296248.3

The ornamental design for thermometer, as shown and described.

(51) **LOC (13) Cl.** **10-04**

DESCRIPTION

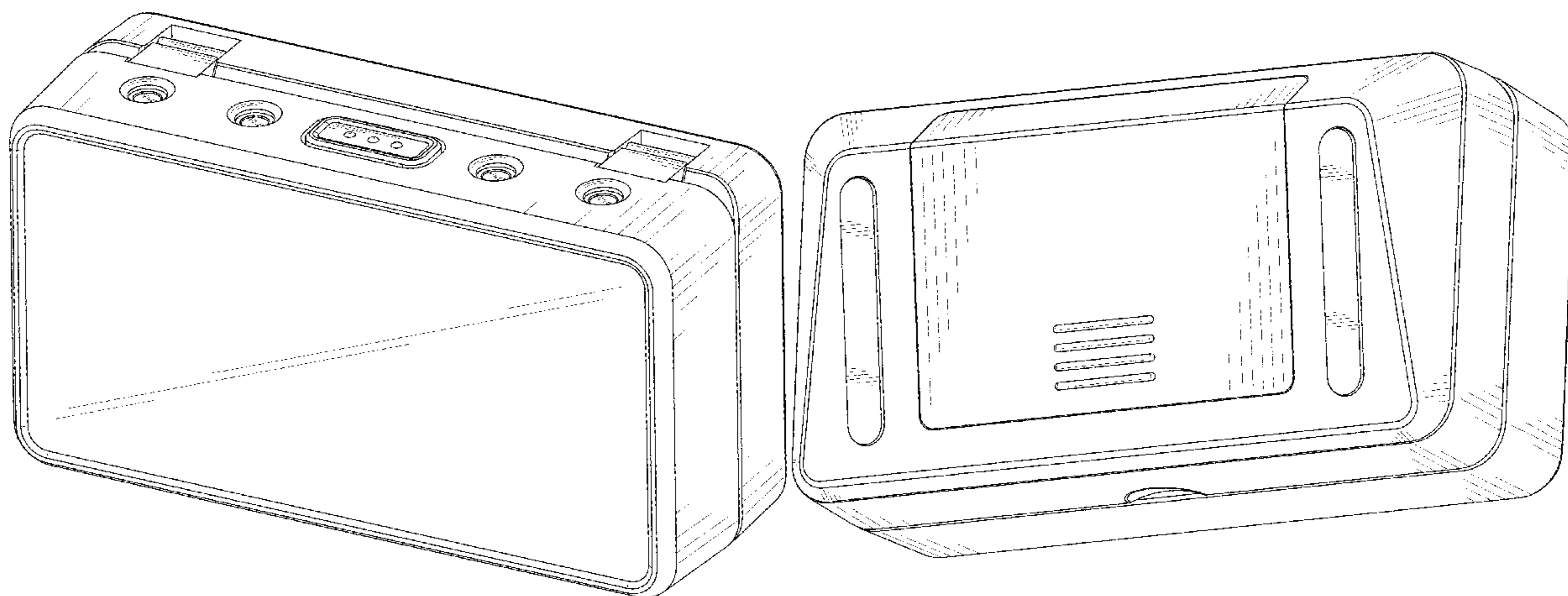
(52) **U.S. Cl.**
USPC **D10/57**

FIG. 1 is a perspective view of a thermometer showing my new design;
FIG. 2 is another perspective view thereof;
FIG. 3 is another perspective view thereof in an open state;
FIG. 4 is a front view thereof;
FIG. 5 is a rear view thereof;
FIG. 6 is a left side view thereof;
FIG. 7 is a right side view thereof;
FIG. 8 is a top plan view thereof; and,
FIG. 9 is a bottom plan view thereof.

(58) **Field of Classification Search**
USPC D10/57

CPC G01K 1/02; G01K 1/022; G01K 1/024;
G01K 1/08; G01K 1/083; G01K 1/086;
G01K 3/00-3/14; G01K 2003/145; G01K
13/002; G01K 13/004; G01K 2219/00;
G01K 5/04-5/225; G01K 5/22; G01K
221/00; G01J 5/04; G01J 5/041; G01J
5/042; G01J 5/043; G01J 5/044; G01J

1 Claim, 9 Drawing Sheets



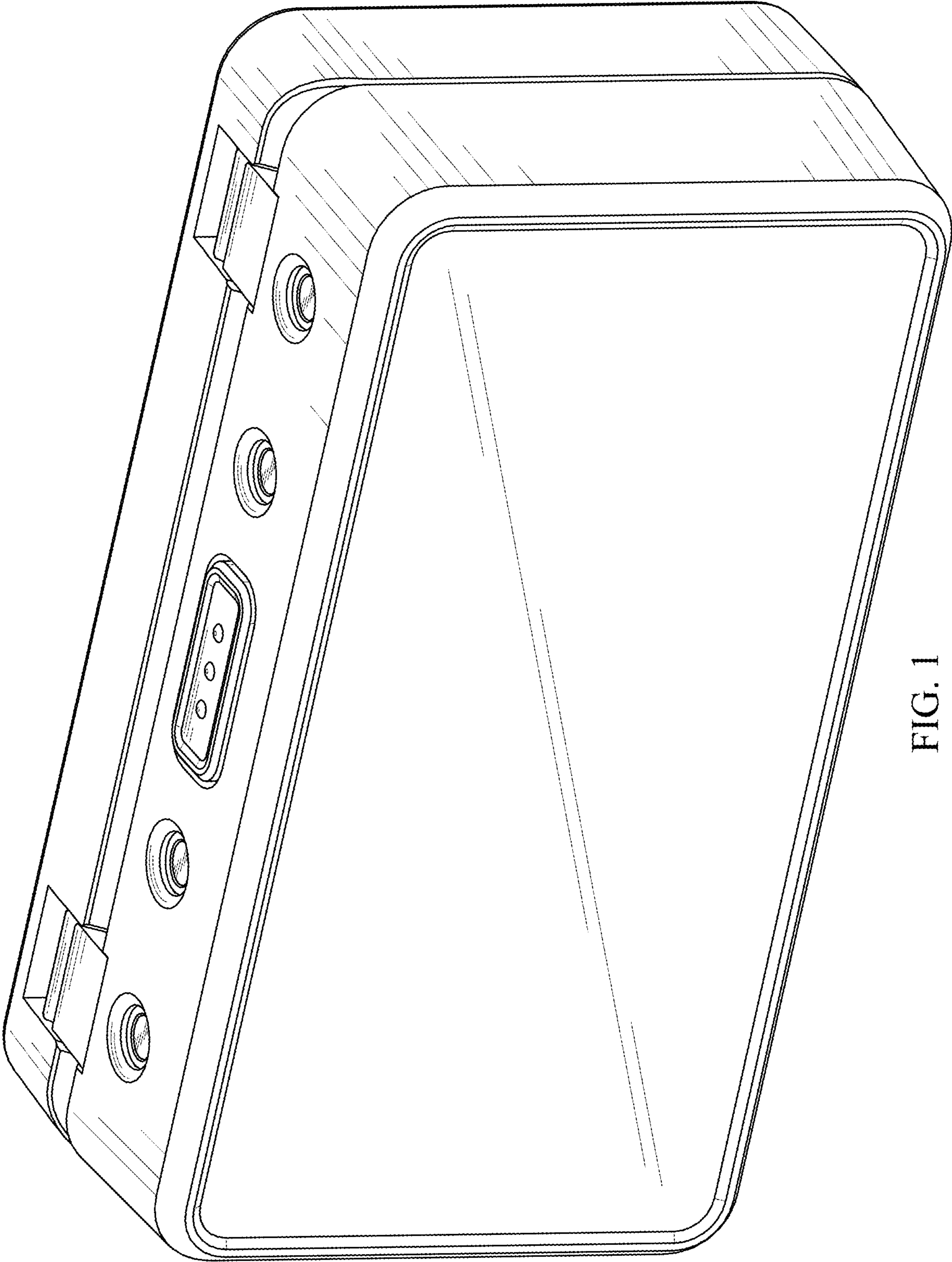


FIG. 1

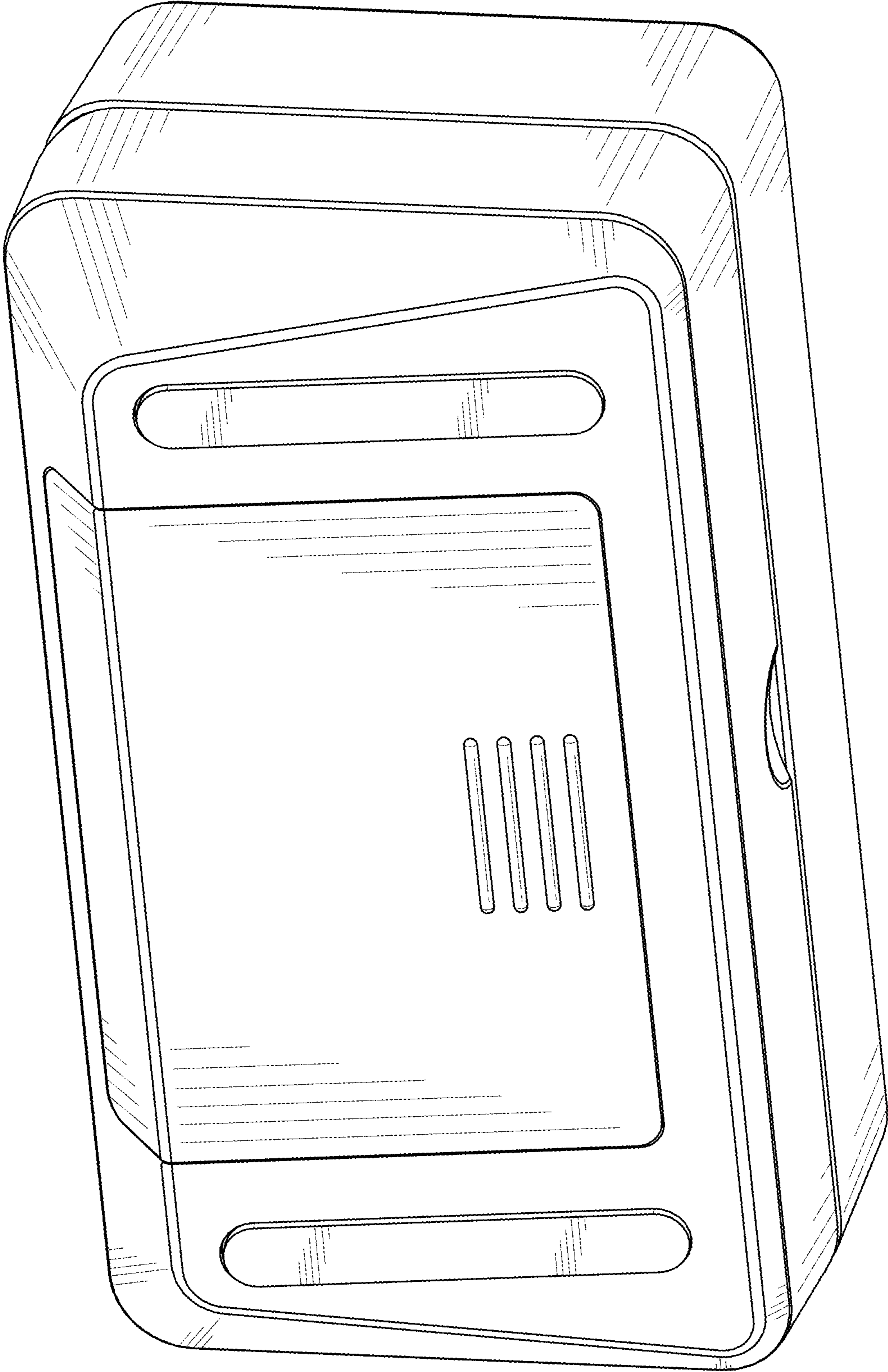


FIG. 2

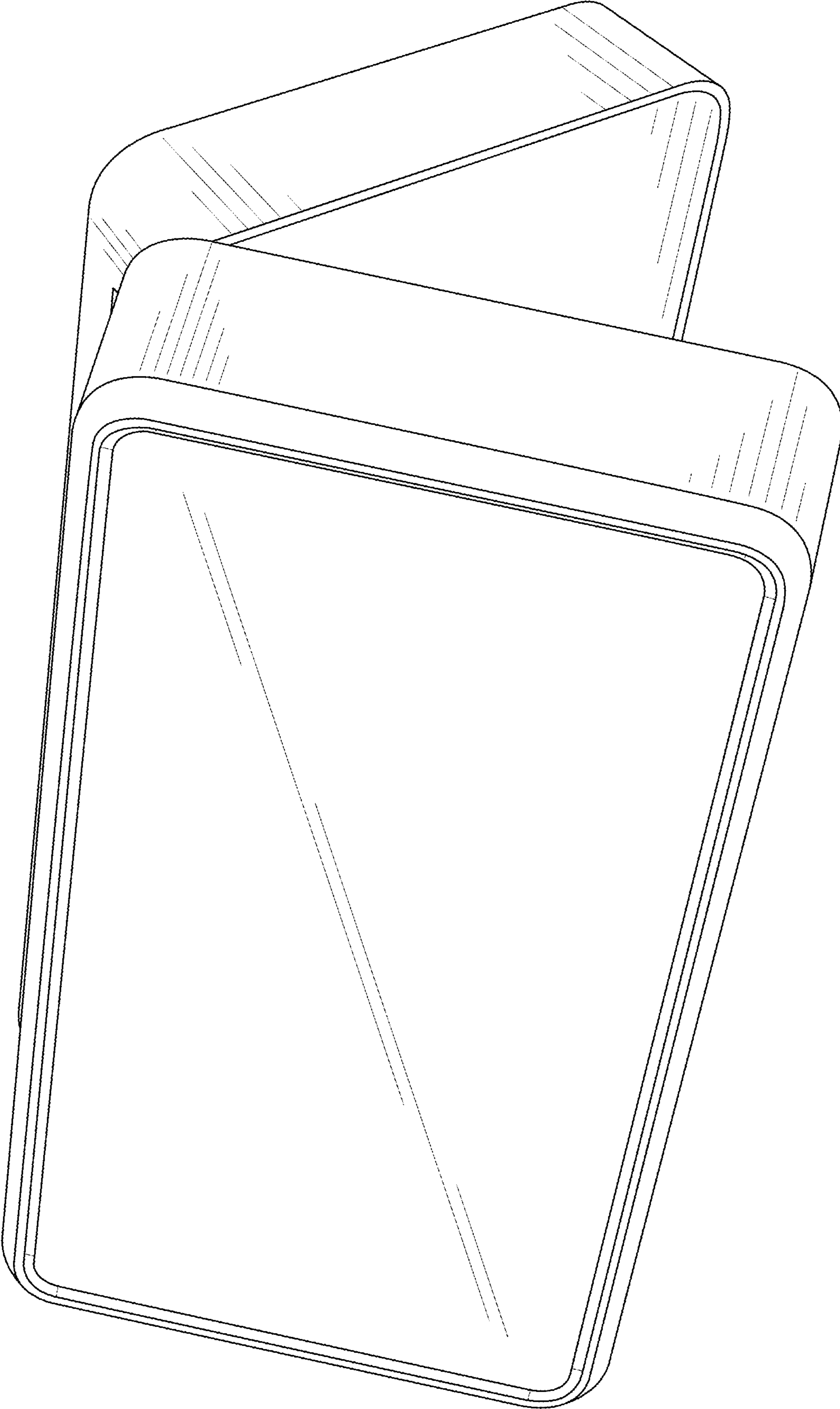


FIG. 3

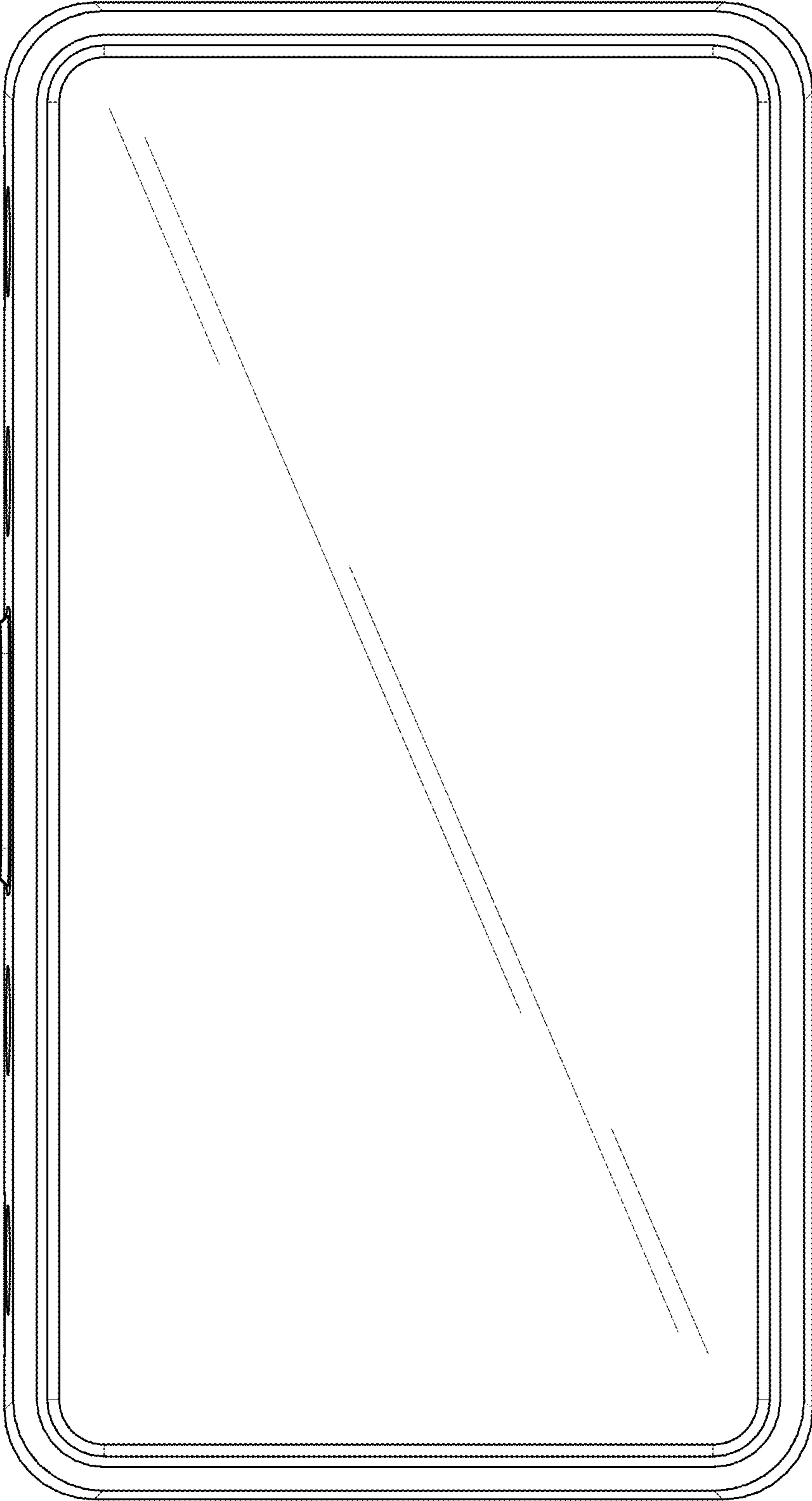


FIG. 4

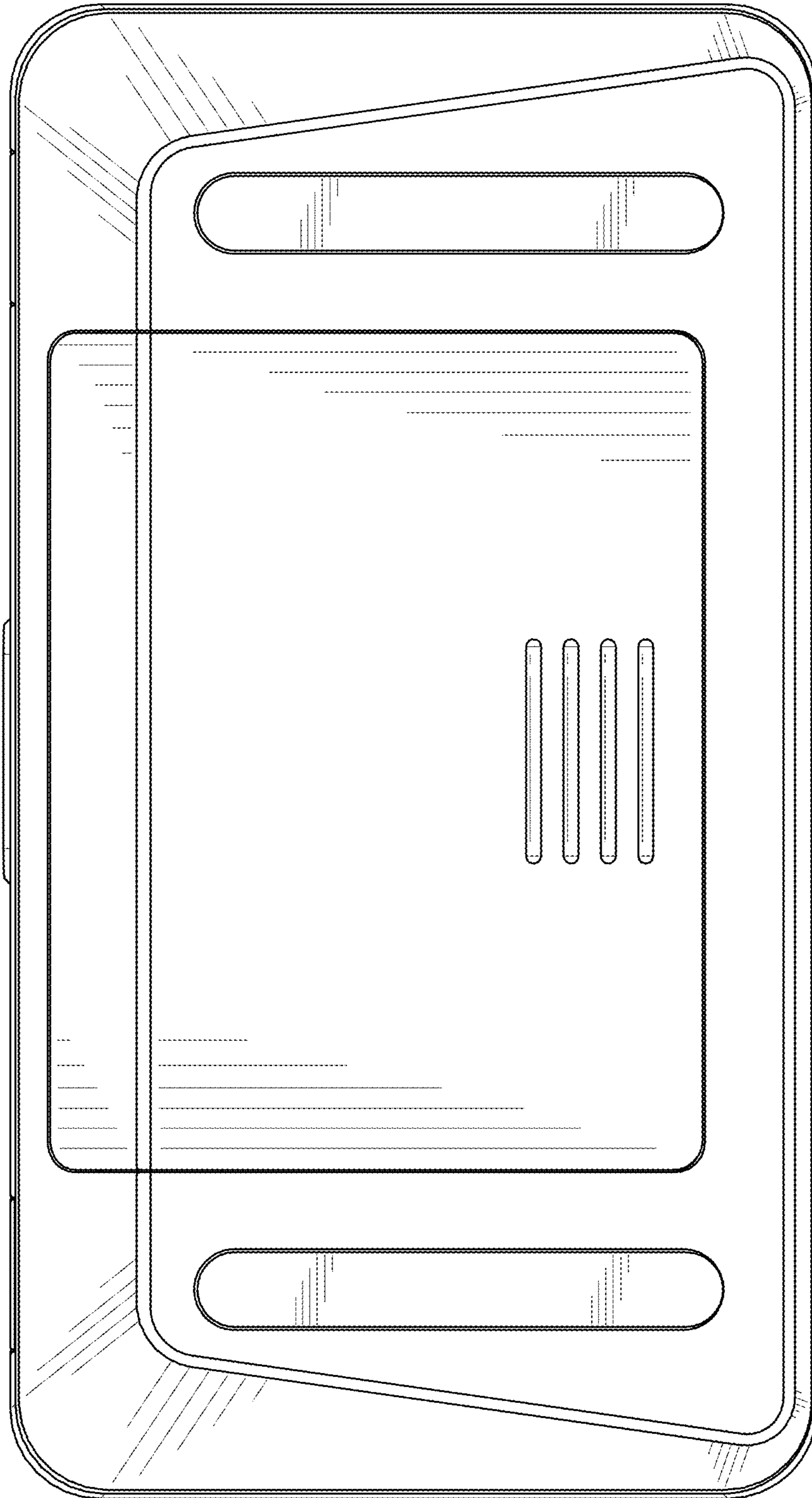


FIG. 5

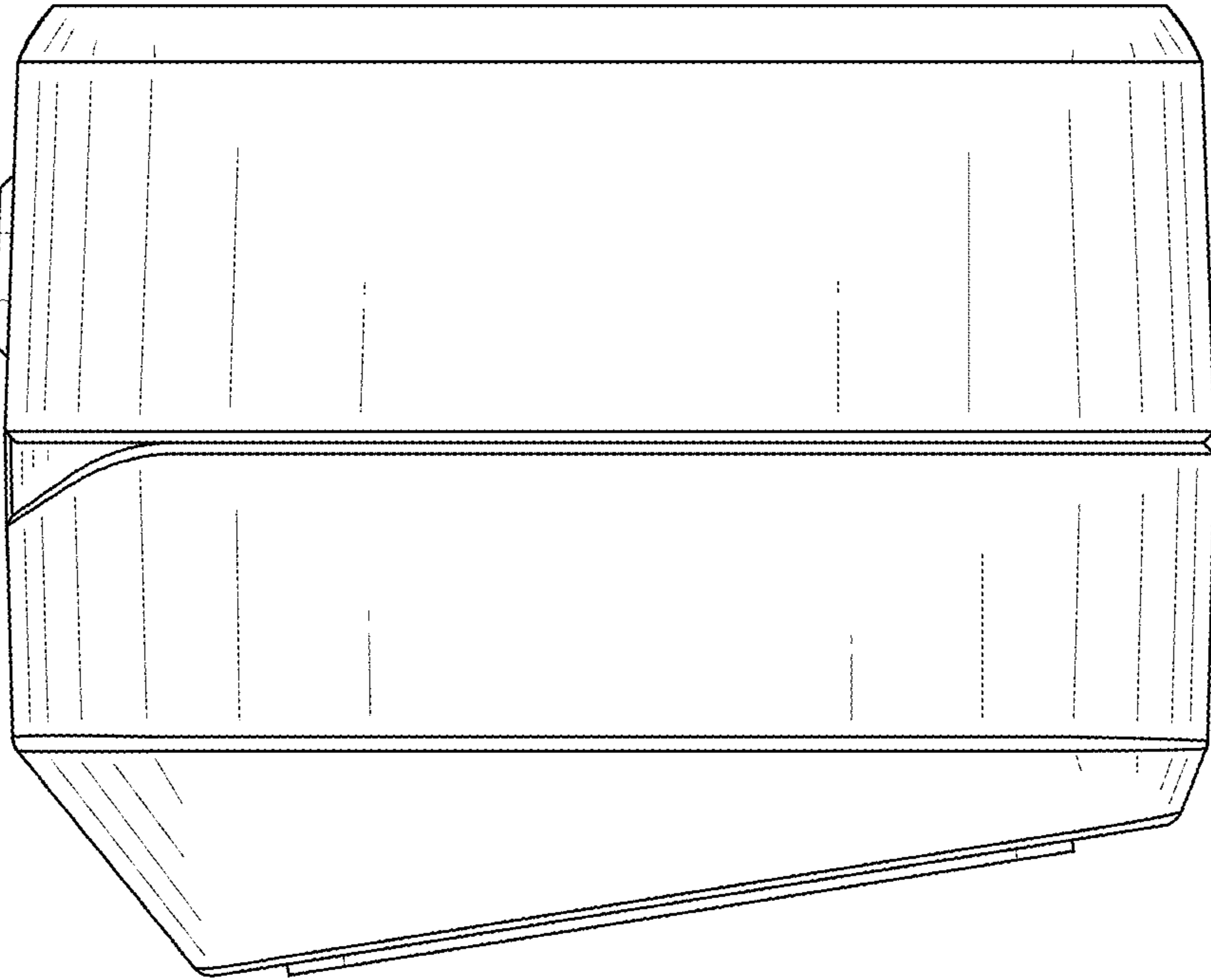


FIG. 6

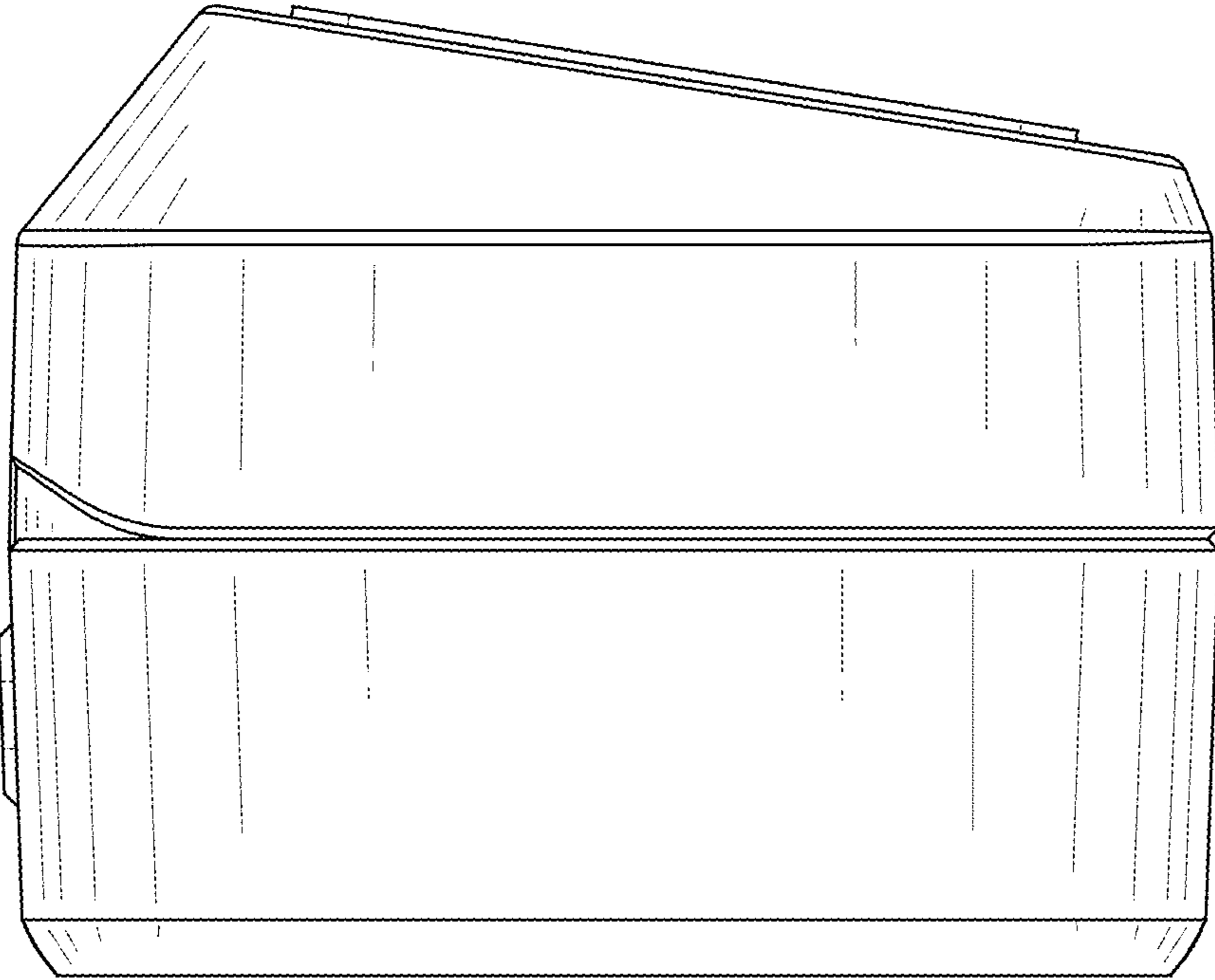


FIG. 7

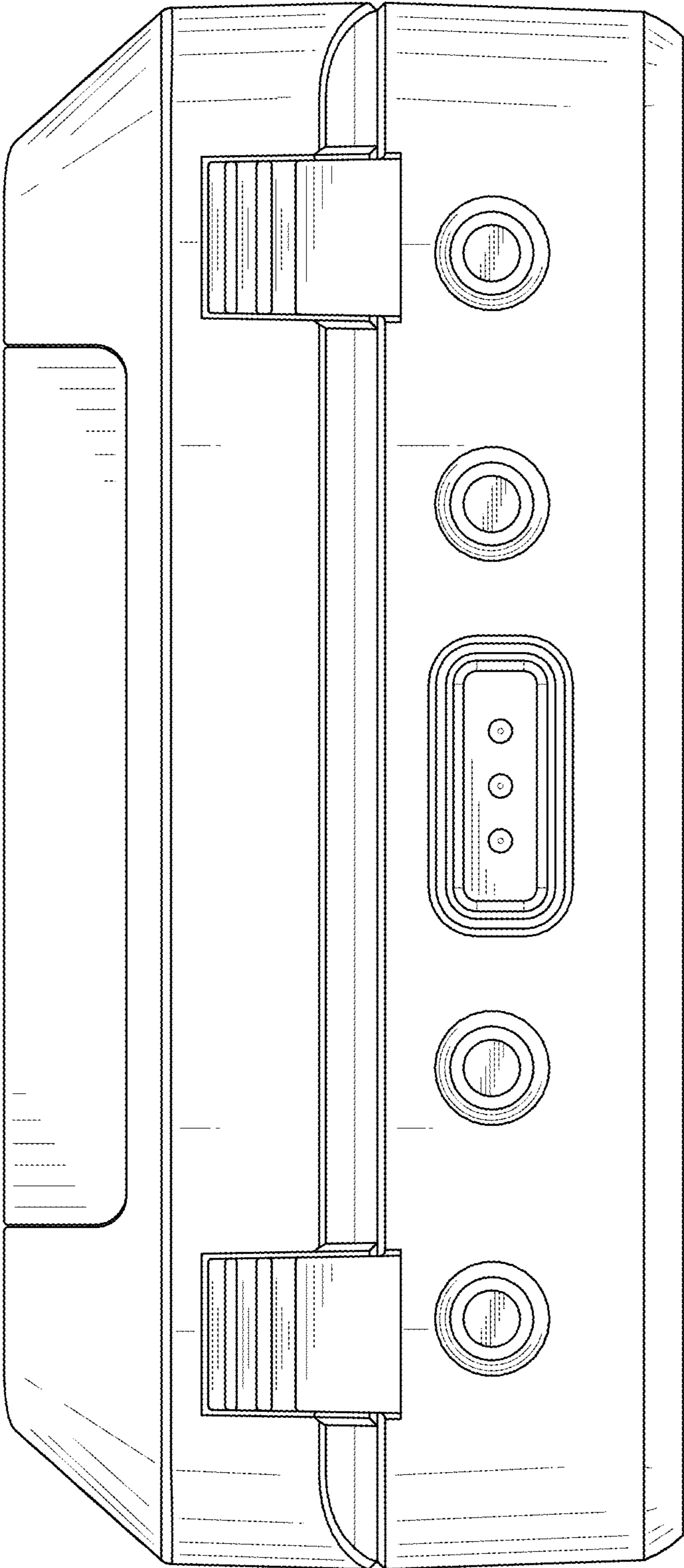


FIG. 8

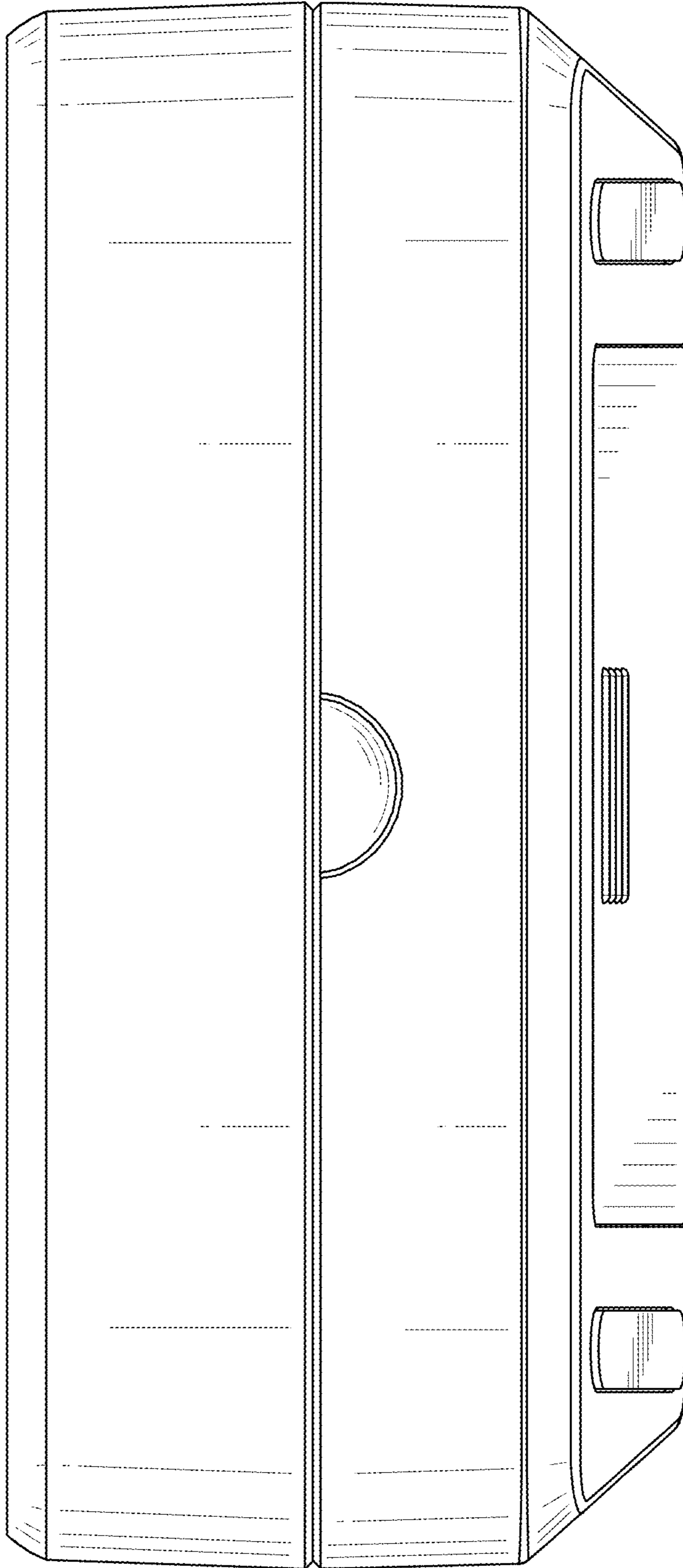


FIG. 9