



US00D958674S

(12) **United States Design Patent** (10) **Patent No.:** **US D958,674 S**
Smith et al. (45) **Date of Patent:** **** Jul. 26, 2022**

(54) **METAL DETECTOR**

(56) **References Cited**

(71) Applicant: **Mettler-Toledo Safeline Ltd.**, Salford
Manchester (GB)

U.S. PATENT DOCUMENTS

(72) Inventors: **Henry Smith**, Manchester (GB); **Paul
Fletcher**, Wigan (GB); **Laura Nogales
Jimenez**, Manchester (GB)

D412,861 S * 8/1999 Bonner D10/47
D488,725 S * 4/2004 Craig D10/47

(73) Assignee: **METTLER-TOLEDO SAFELINE
LTD.**, Salford Manchester (GB)

* cited by examiner

Primary Examiner — Antoine Duval Davis

(**) Term: **15 Years**

(74) *Attorney, Agent, or Firm* — Hogan Lovells US LLP

(21) Appl. No.: **29/738,583**

(57) **CLAIM**

The ornamental design for a metal detector, as shown and
described.

(22) Filed: **Jun. 18, 2020**

DESCRIPTION

(51) **LOC (13) Cl.** **10-04**

(52) **U.S. Cl.**

USPC **D10/47**

(58) **Field of Classification Search**

USPC D10/47

CPC ... G01V 3/00; G01V 3/02; G01V 3/04; G01V
3/06; G01V 3/08; G01V 3/081; G01V
3/082; G01V 3/083; G01V 2003/084;
G01V 2003/085; G01V 2003/086; G01V
3/087; G01V 3/088; G01V 3/10; G01V
3/101; G01V 3/102; G01V 3/104; G01V
3/105; G01V 3/107; G01V 3/108; G01V
3/12; G01V 3/14; G01V 3/15; G01V
3/16; G01V 3/165; G01V 3/17; G01V
3/175; G01V 3/18; G01V 3/20; G01V
3/22; G01V 3/24; G01V 3/26; G01V
3/265; G01V 3/28; G01V 3/30; G01V
3/32; G01V 3/34; G01V 3/36; G01V
3/38; G01V 3/40

FIG. 1 is a perspective view of a first embodiment of a metal
detector showing our new design;

FIG. 2 is a front view thereof;

FIG. 3 is a rear view thereof;

FIG. 4 is a right-side view thereof;

FIG. 5 is a left-side view thereof;

FIG. 6 is a top view thereof;

FIG. 7 is a bottom view thereof;

FIG. 8 is a perspective view of a second embodiment of a
metal detector;

FIG. 9 is a front view thereof;

FIG. 10 is a rear view thereof;

FIG. 11 is a right-side view thereof;

FIG. 12 is a left-side view thereof;

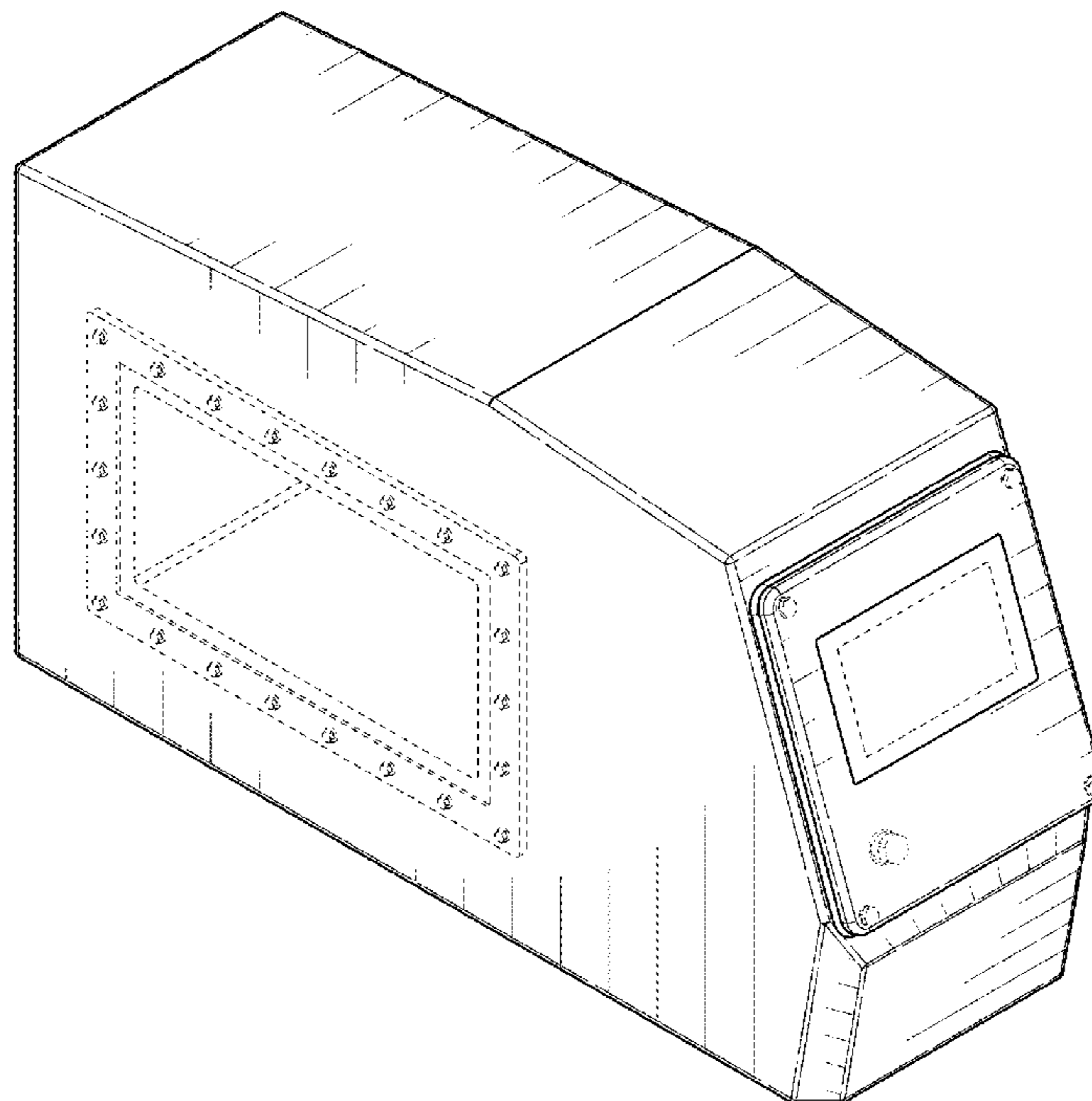
FIG. 13 is a top view thereof; and,

FIG. 14 is a bottom view thereof.

The broken lines appearing in FIGS. 1-14 form no part of the
claimed design.

See application file for complete search history.

1 Claim, 14 Drawing Sheets



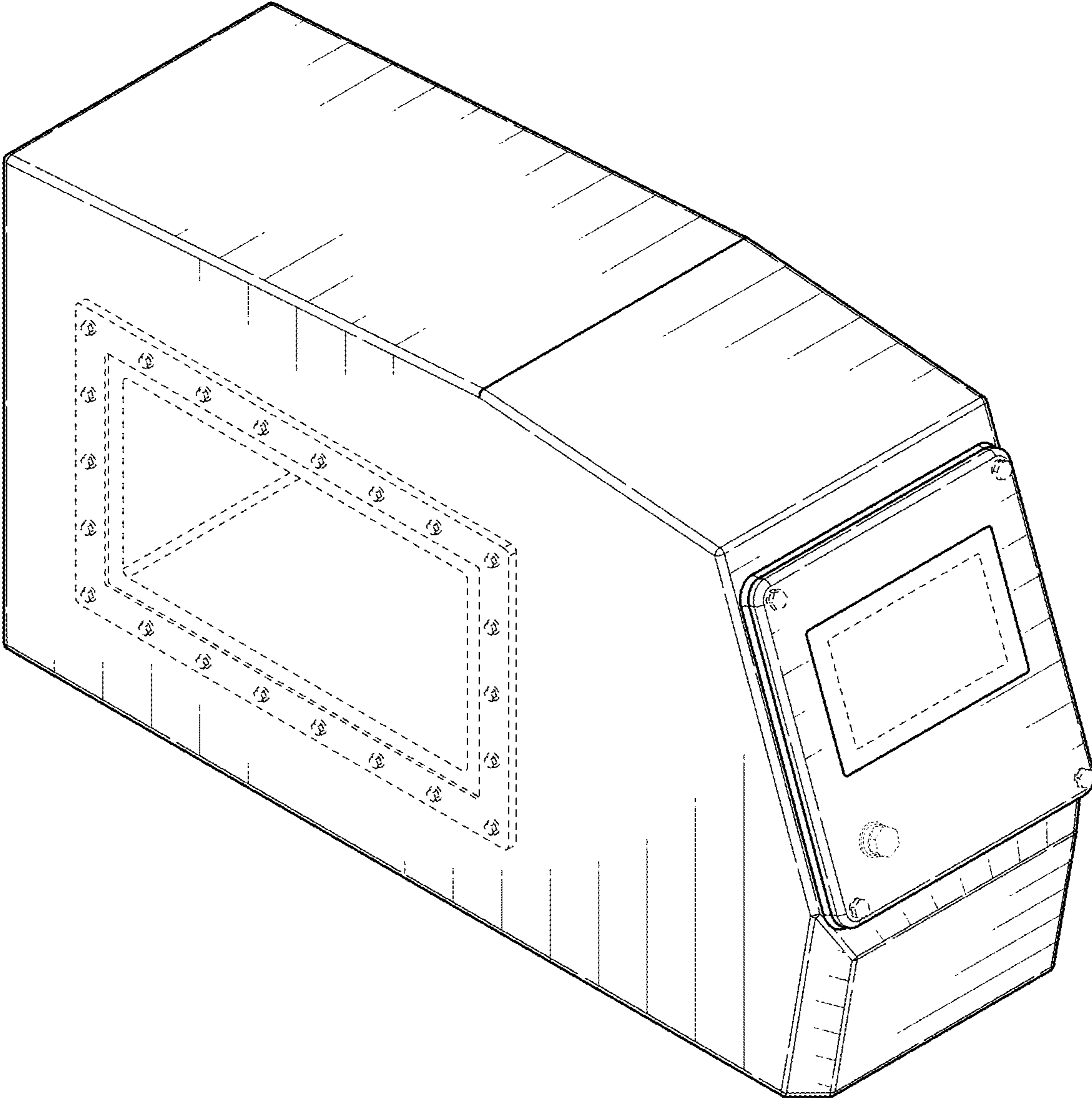


FIG. 1

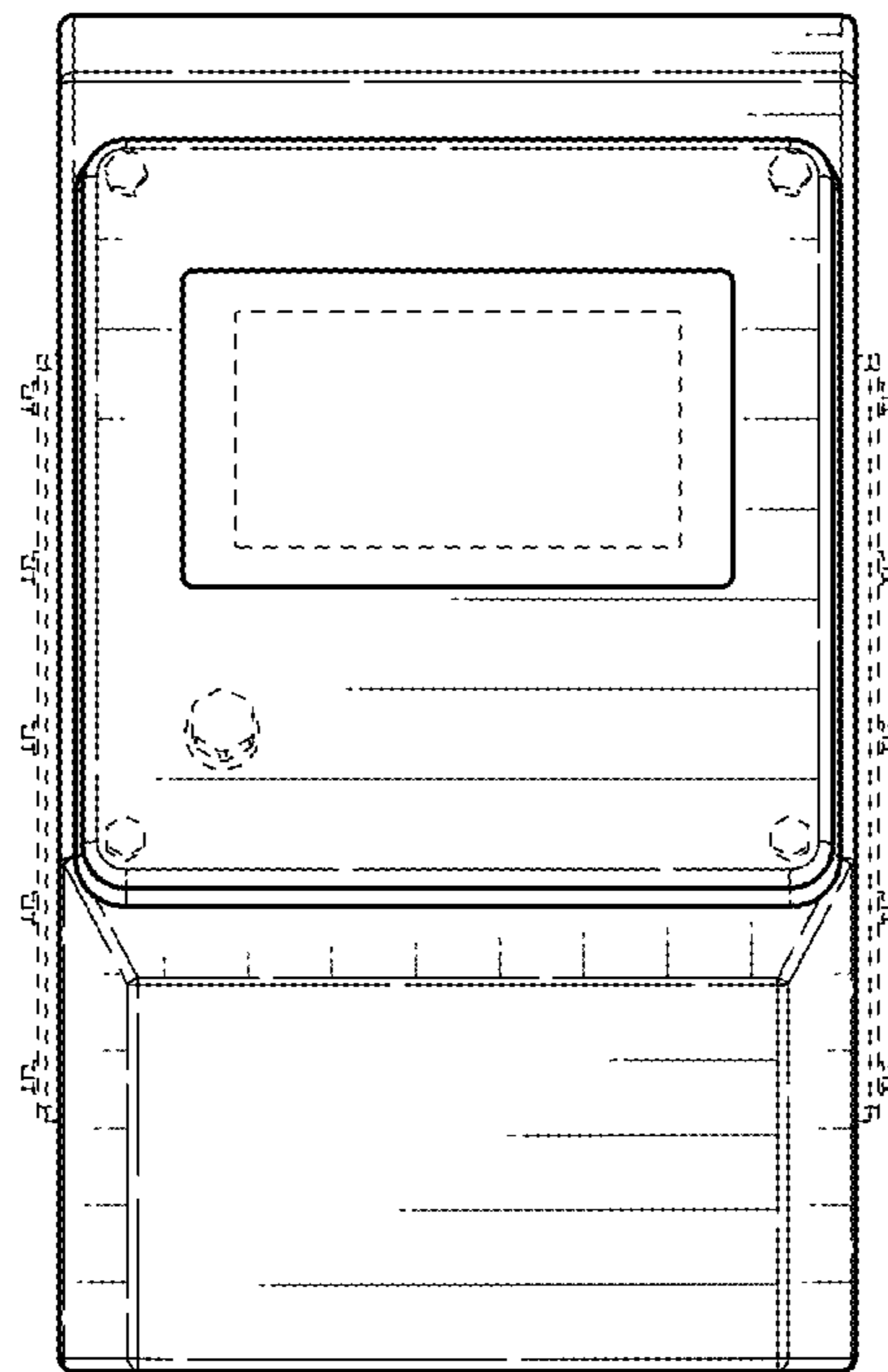


FIG. 2

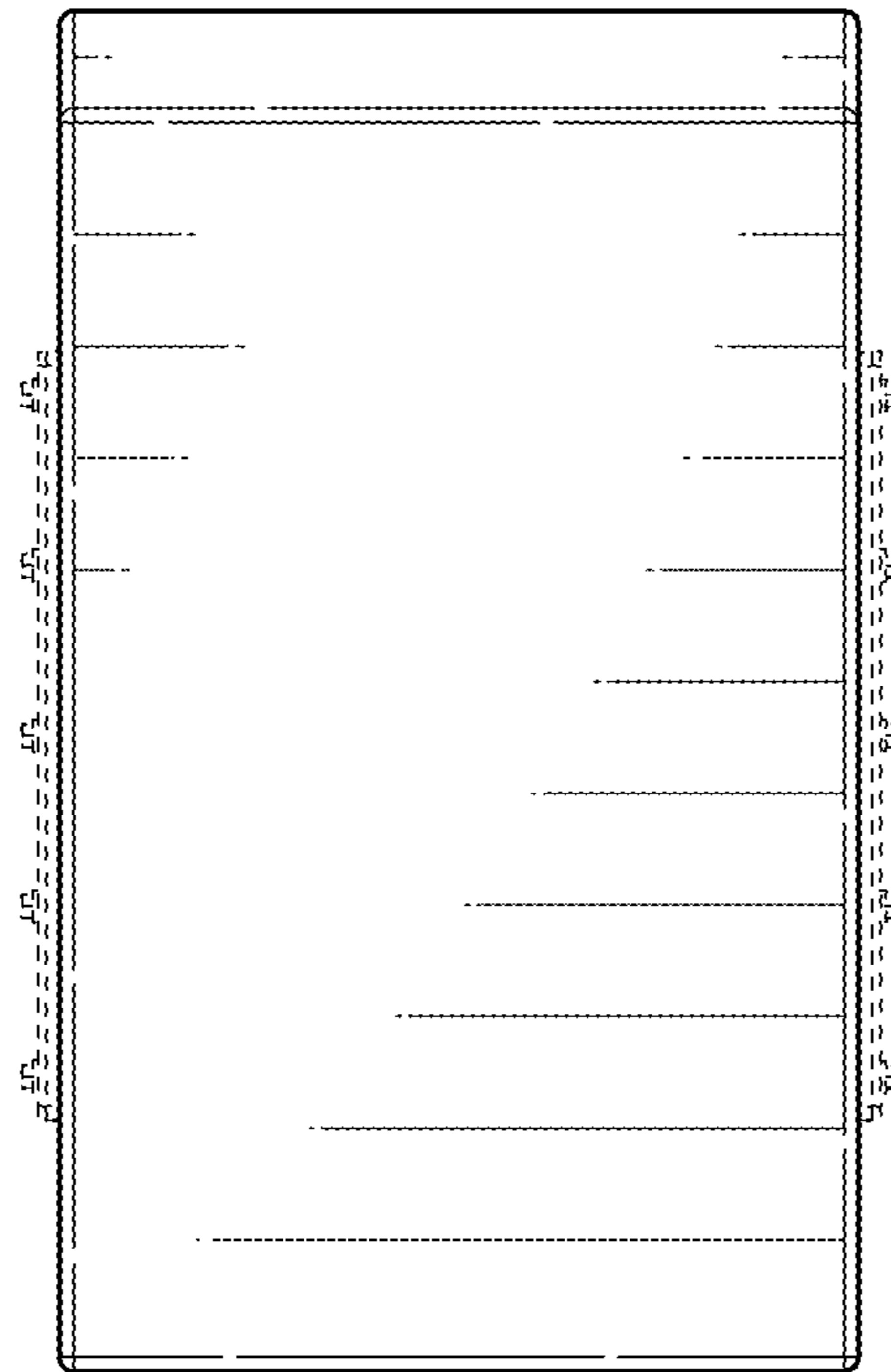


FIG. 3

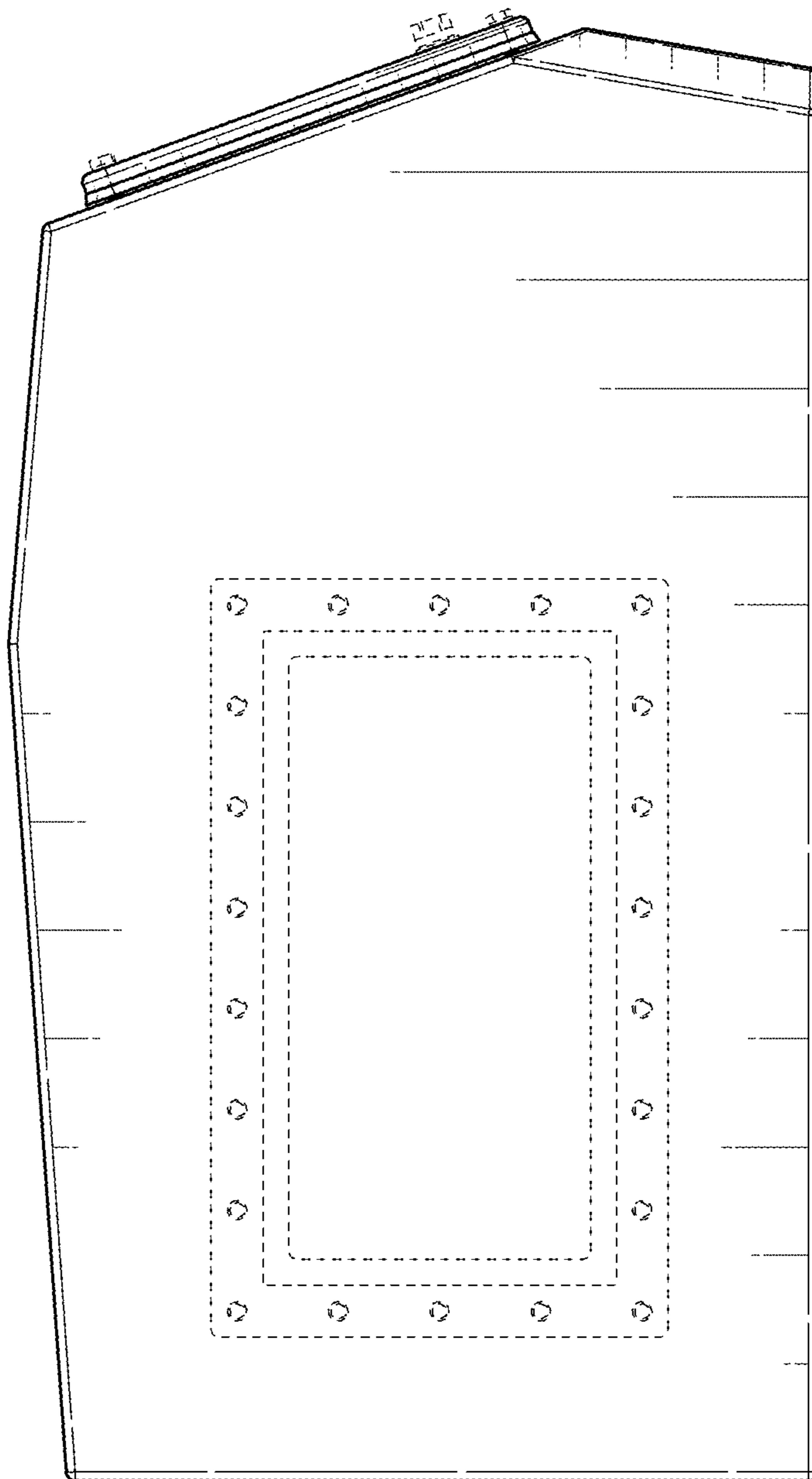


FIG. 4

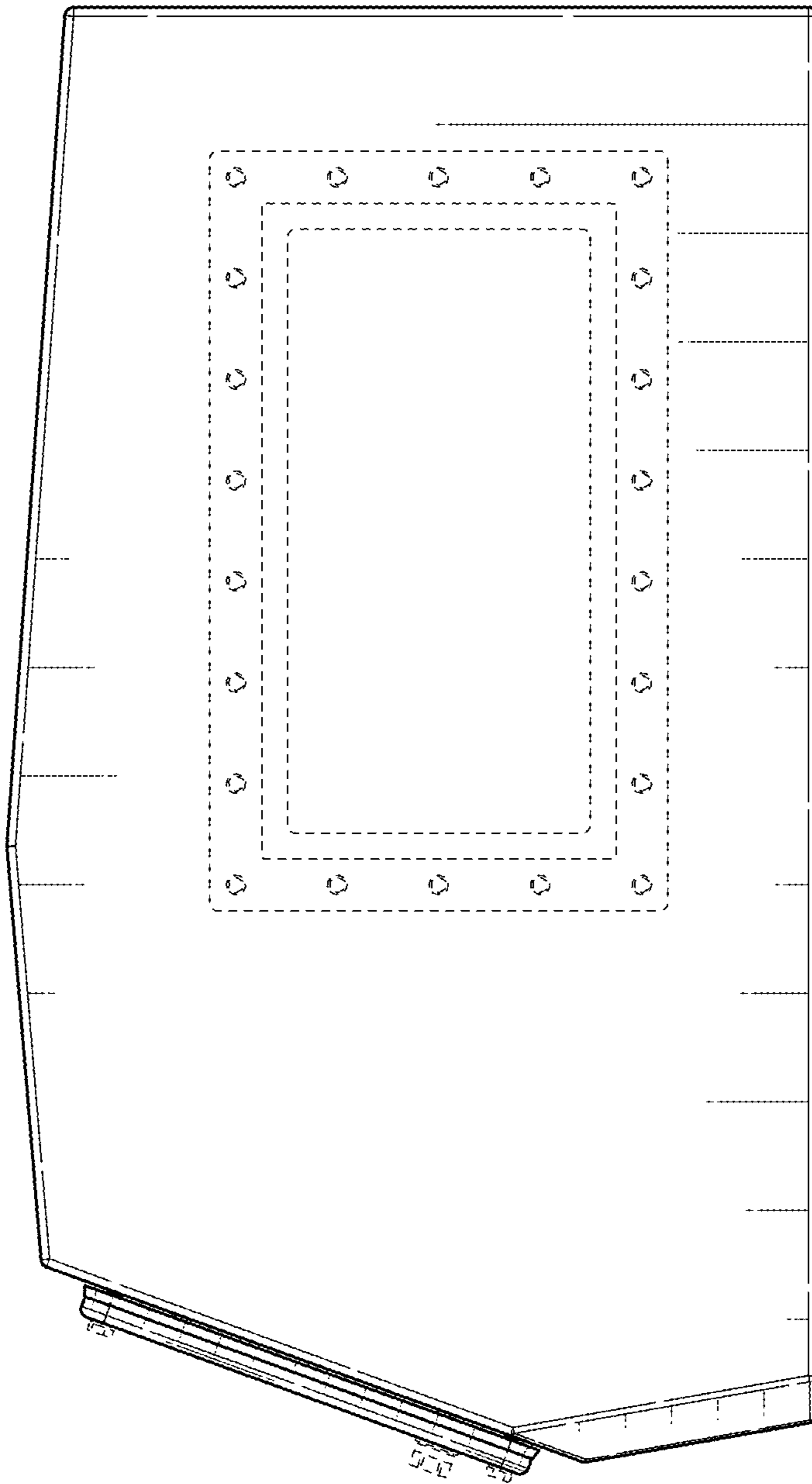


FIG. 5

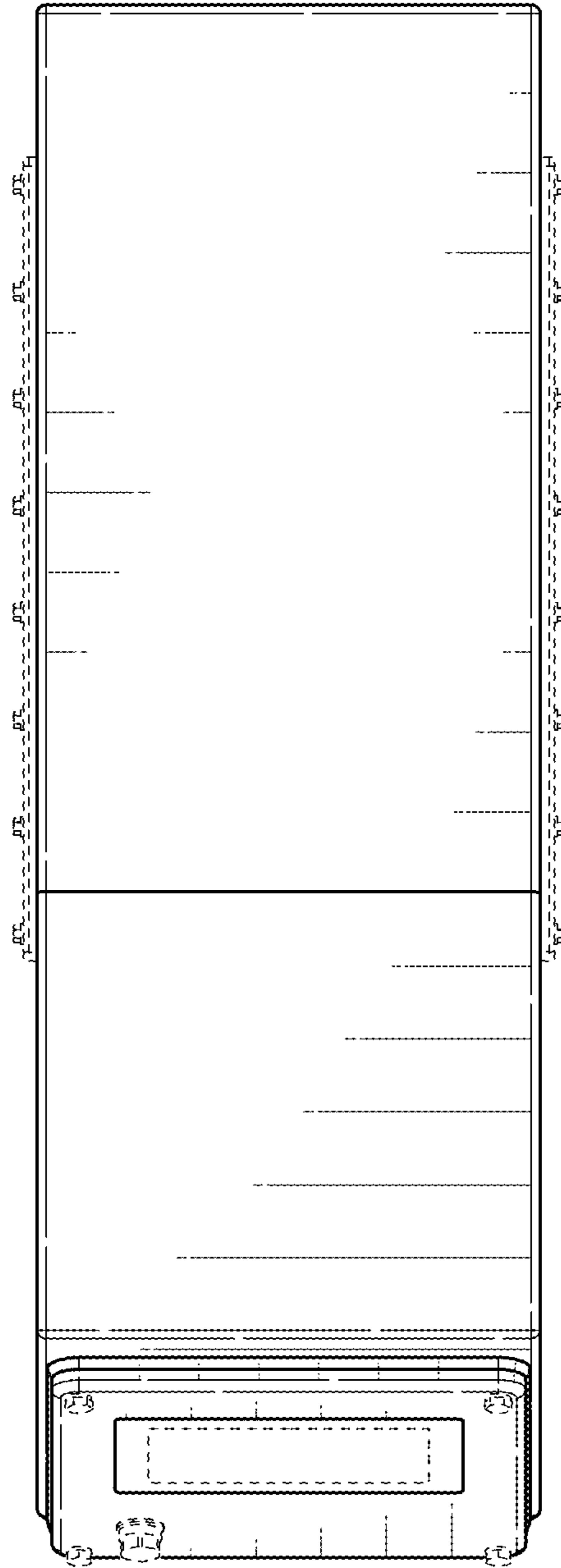


FIG. 6

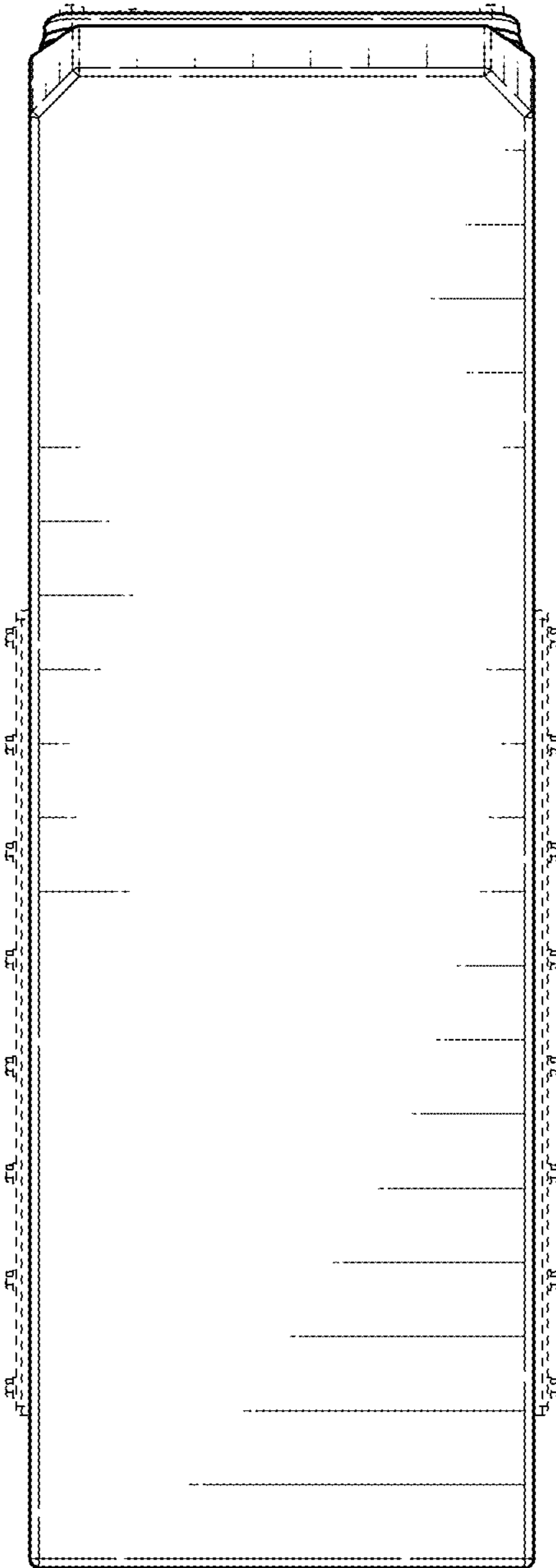


FIG. 7

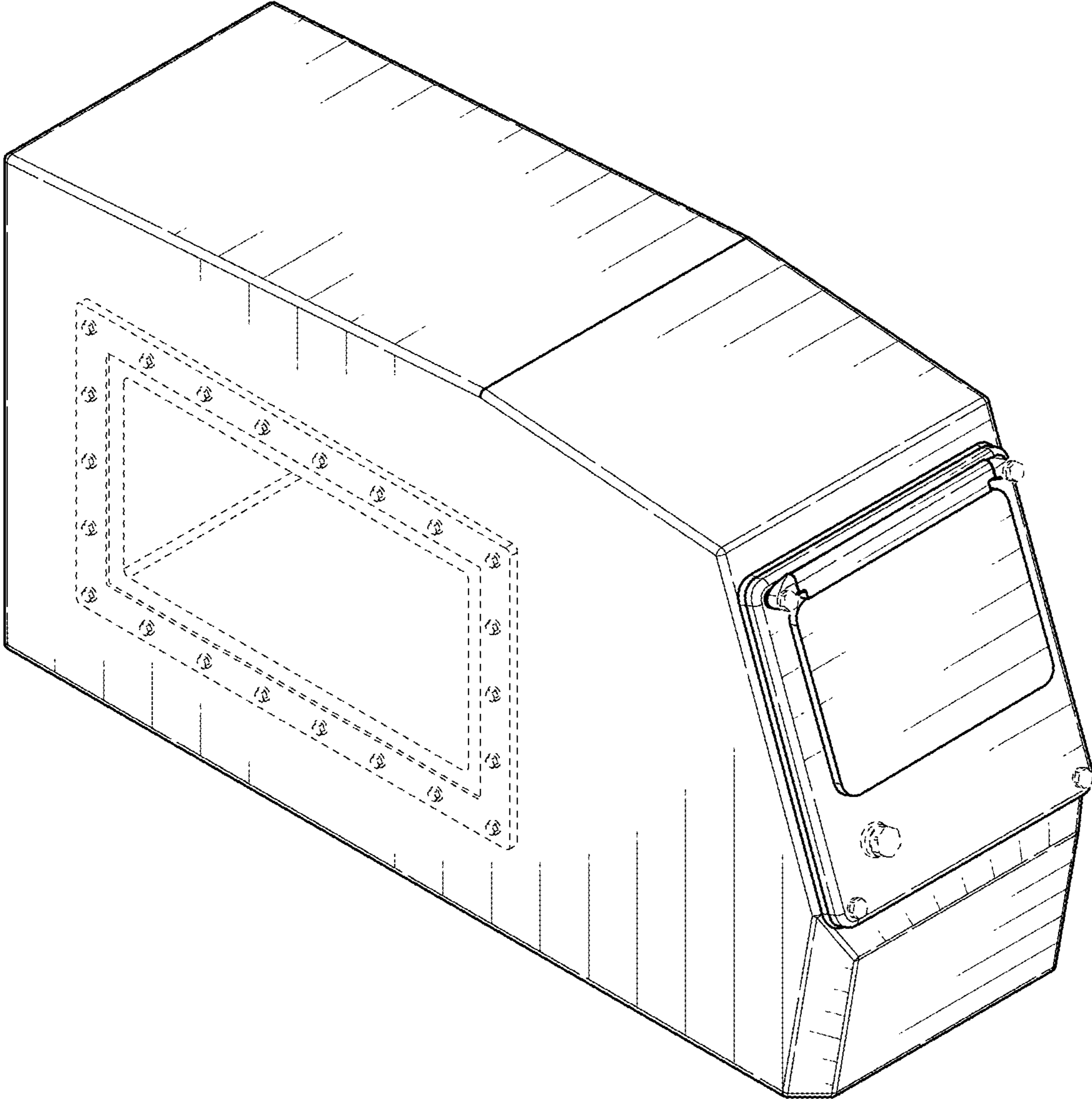


FIG. 8

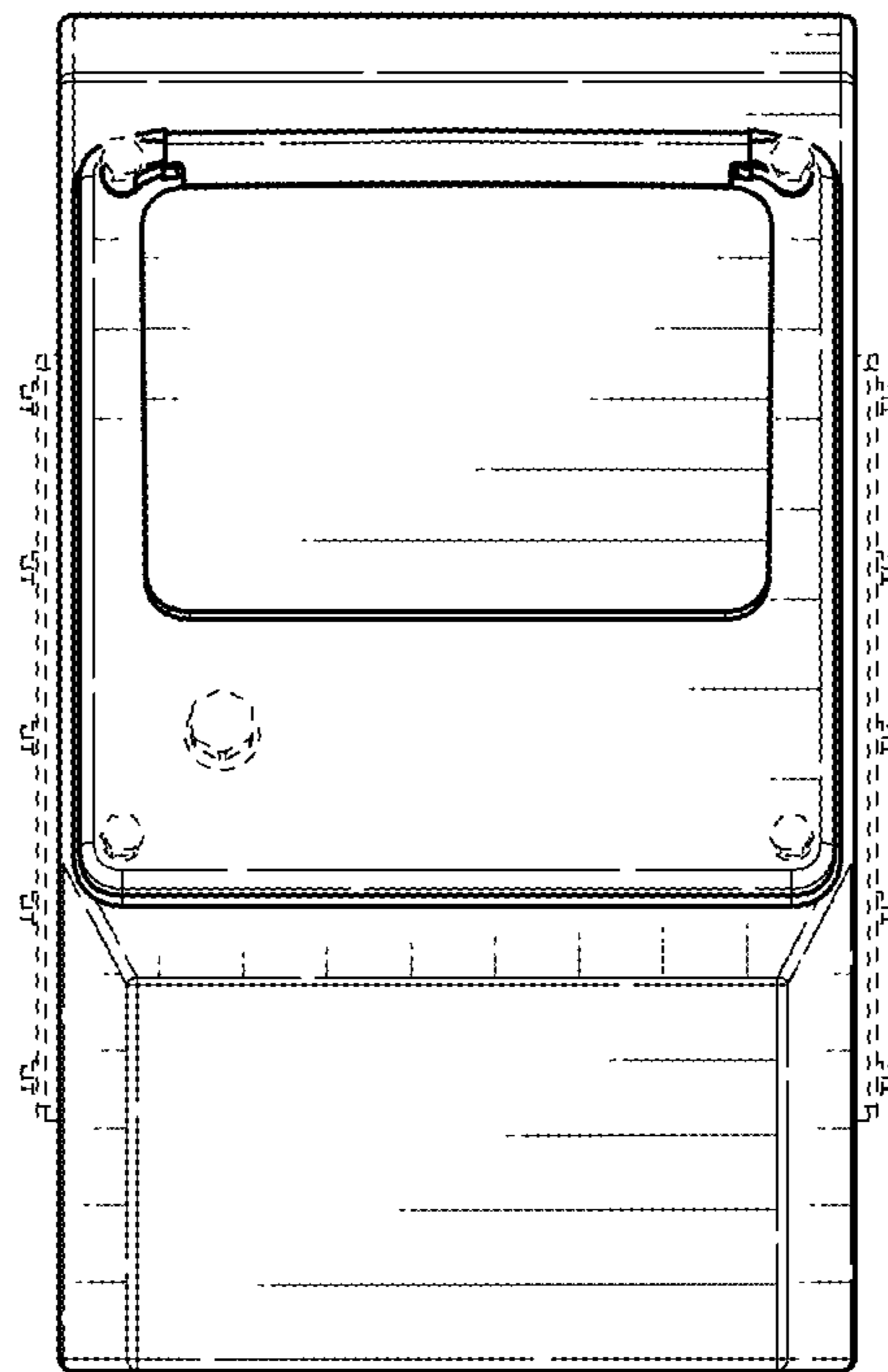


FIG. 9

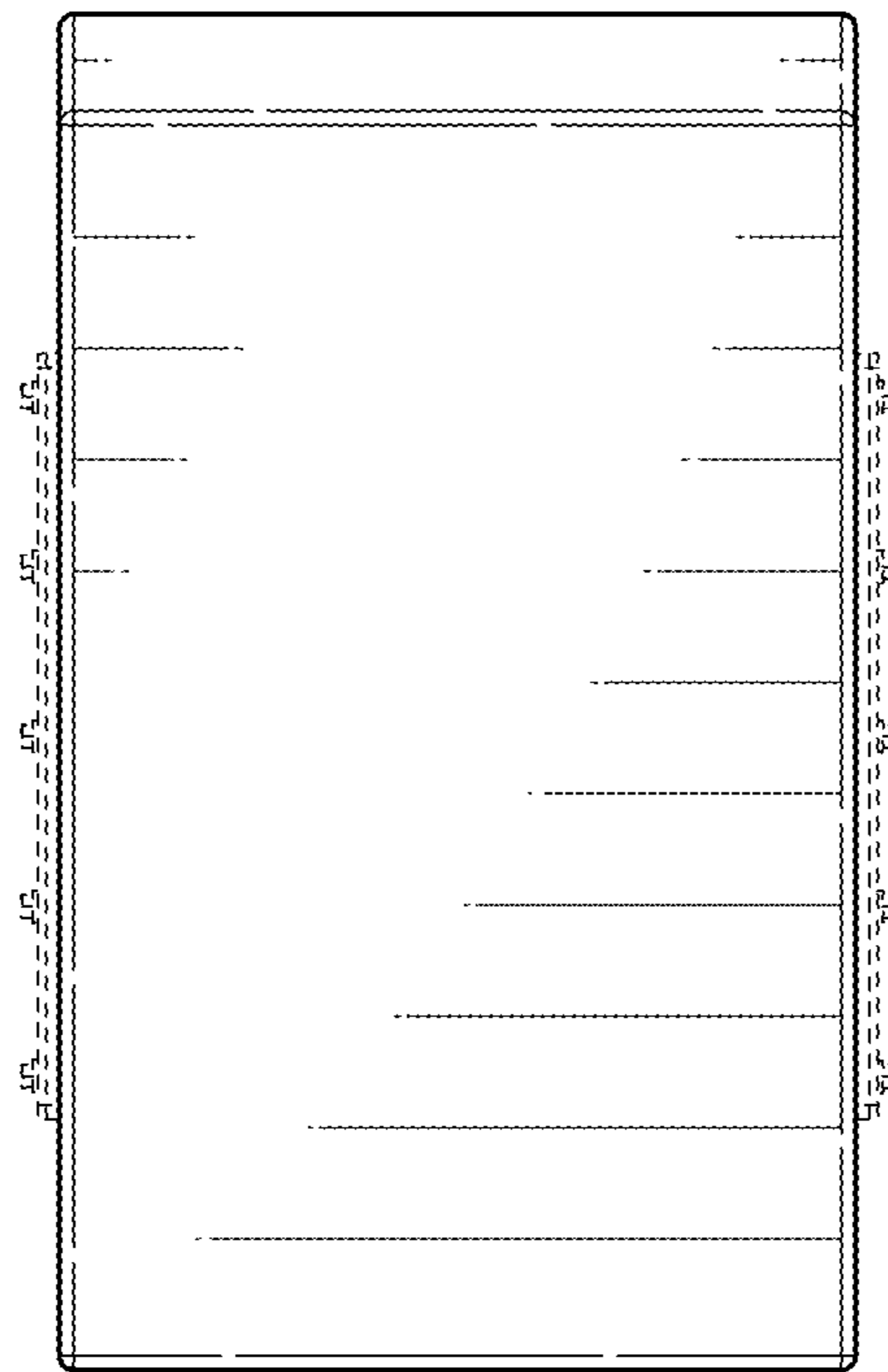


FIG. 10

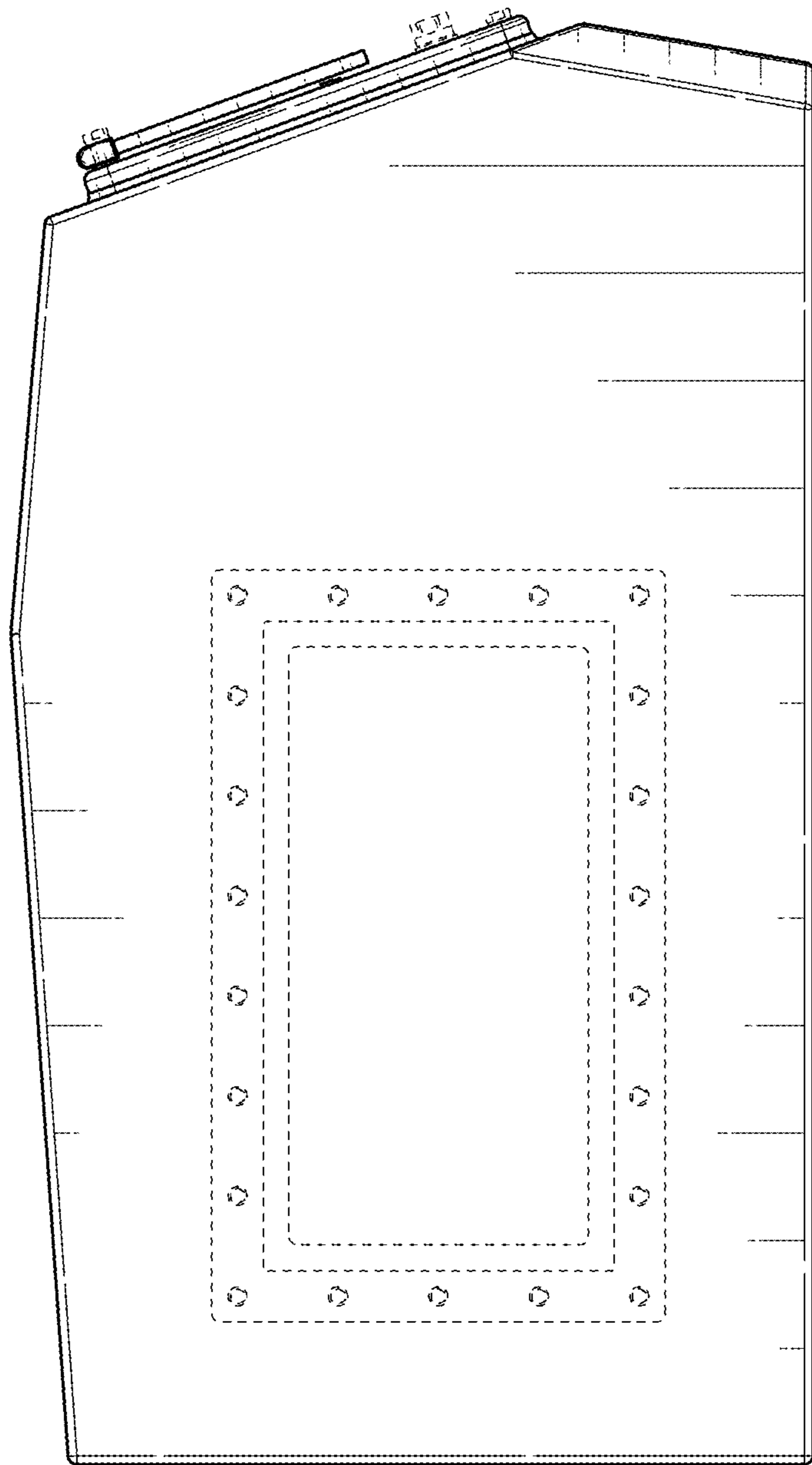


FIG. 11

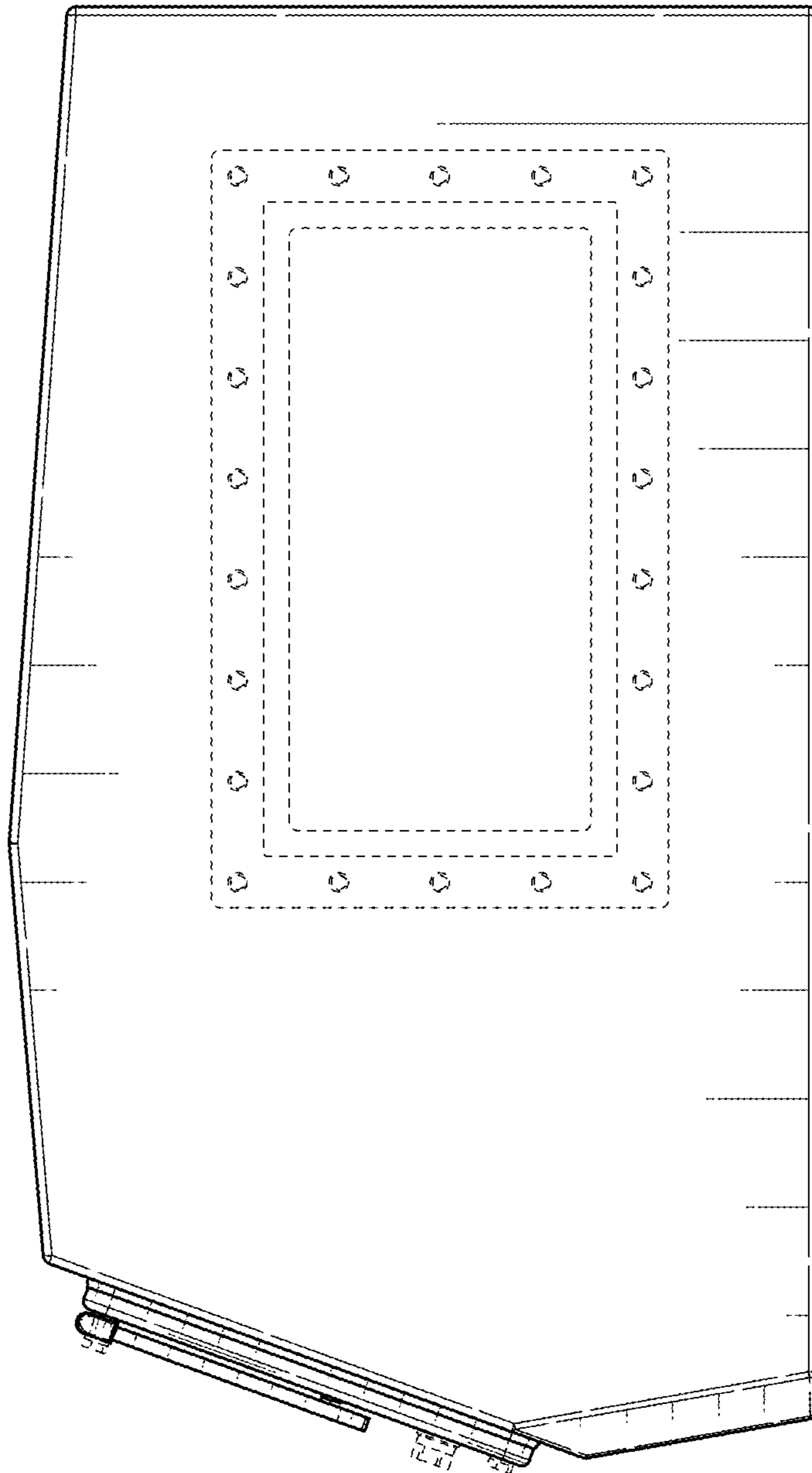


FIG. 12

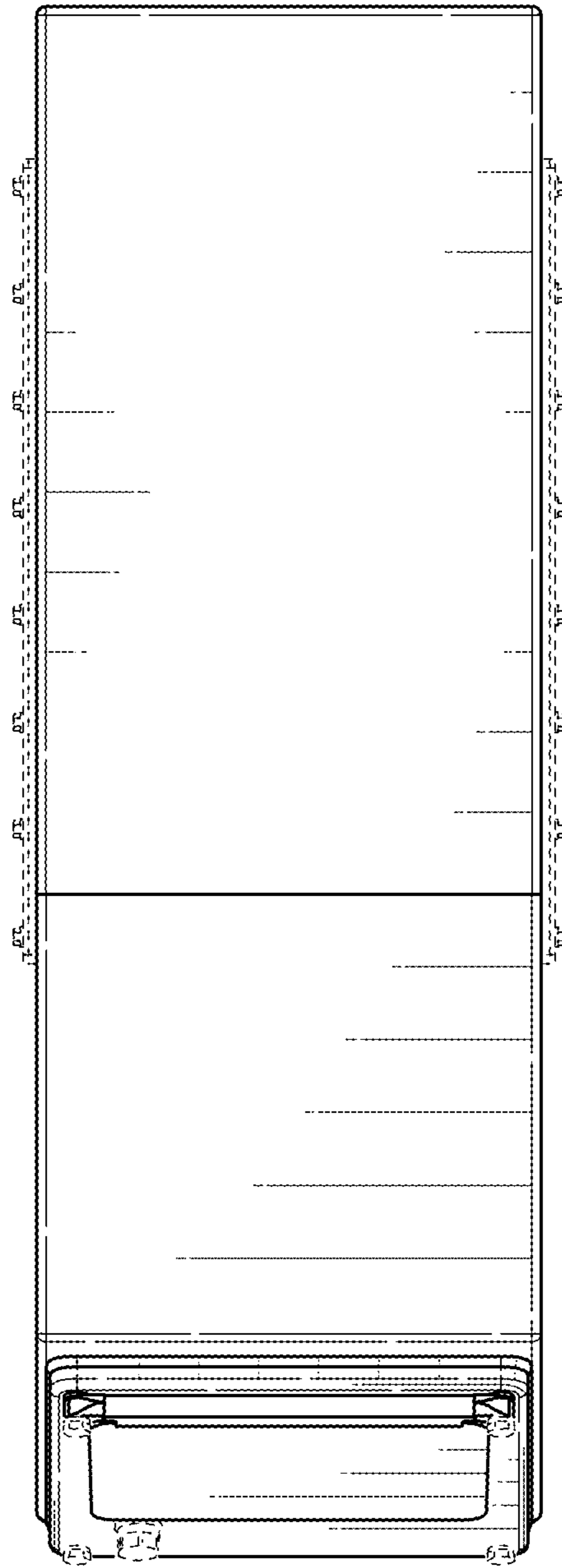


FIG. 13

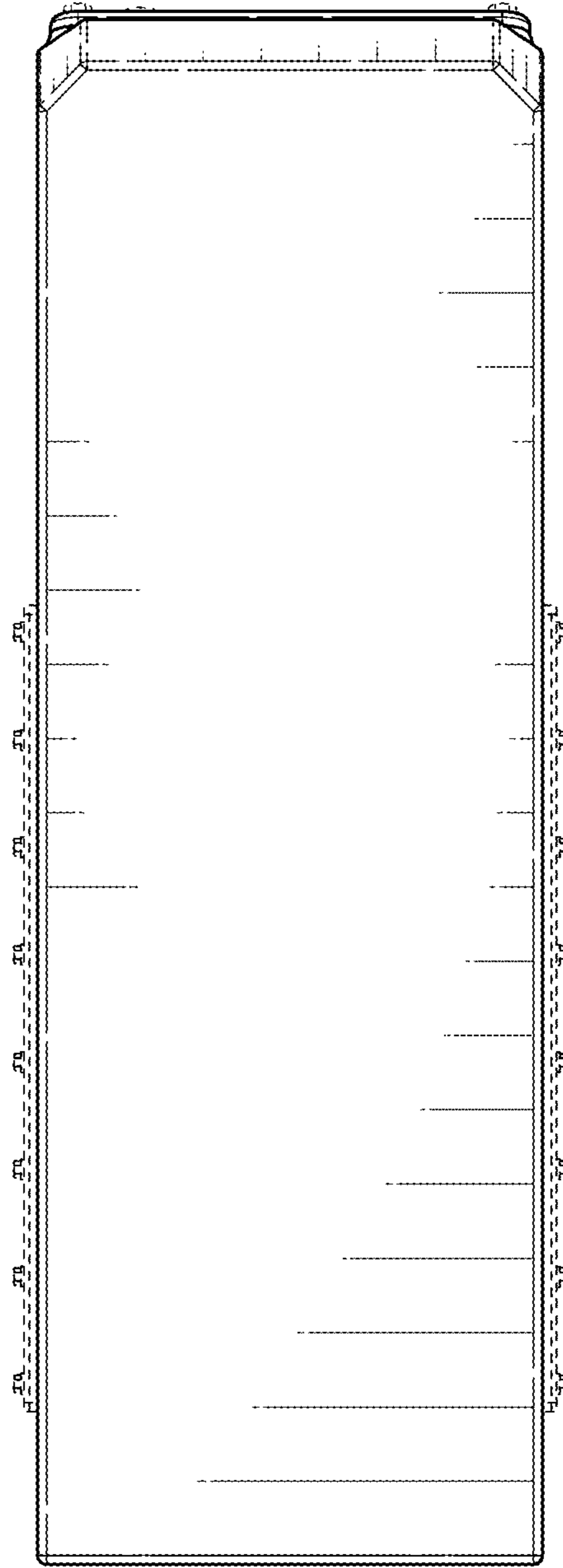


FIG. 14