



US00D958673S

(12) **United States Design Patent**  
**Gao**

(10) **Patent No.:** **US D958,673 S**  
(45) **Date of Patent:** **\*\* Jul. 26, 2022**

(54) **WATCH**

D286,752 S \* 11/1986 Yamano ..... D10/33  
D288,343 S \* 2/1987 Ogawa ..... D21/531  
D358,998 S \* 6/1995 Sugita ..... D10/30

(71) Applicant: **GUANGDONG GENIUS TECHNOLOGY CO., LTD.**,  
Dongguan (CN)

(Continued)

(72) Inventor: **Hongliang Gao**, Dongguan (CN)

**OTHER PUBLICATIONS**

(73) Assignee: **GUANGDONG GENIUS TECHNOLOGY CO., LTD.**,  
Dongguan (CN)

Imoo Watch Phone Z6 review | gsmarena.com; posted Nov. 15, 2020 [online]. © 2000-2021 GSMarena.com [retrieved Oct. 22, 2021] from Internet: <[https://www.gsmarena.com/imoo\\_watch\\_phone\\_z6\\_review-news-46285.php](https://www.gsmarena.com/imoo_watch_phone_z6_review-news-46285.php)> (Year: 2020).\*

(\*\*) Term: **15 Years**

*Primary Examiner* — Katherine Glennon

(21) Appl. No.: **29/748,029**

(74) *Attorney, Agent, or Firm* — Yong Chen

(22) Filed: **Aug. 26, 2020**

(57) **CLAIM**

(30) **Foreign Application Priority Data**

The ornamental design for a watch, as shown and described.

May 14, 2020 (CN) ..... 202030220936.1

**DESCRIPTION**

(51) **LOC (13) Cl.** ..... **10-02**

(52) **U.S. Cl.**  
USPC ..... **D10/32**

(58) **Field of Classification Search**  
USPC ..... D10/30-39, 65, 70, 122-128, 132;  
D11/3, 12, 19; D14/341, 344, 440;  
D24/167, 186; D21/531  
CPC ..... A61B 5/681; G04G 17/00; G04G 17/08;  
G04G 17/083; G04G 21/08; A44C 5/00;  
A44C 5/0007; A44C 5/0023; A44C  
5/0053; A44C 5/147; A44C 5/18; G04B  
45/00; G04B 45/0069; G04B 45/0076;  
G04B 45/02

FIG. 1 is a front view of a watch of the present invention when the band of the watch is in a fully extended configuration.

FIG. 2 is a rear view thereof.

FIG. 3 is a left view thereof.

FIG. 4 is a right view thereof.

FIG. 5 is a top view thereof.

FIG. 6 is a bottom view thereof.

FIG. 7 is a perspective view of thereof.

FIG. 8 is an enlarged front view of the watch when the band of the watch is in a curved configuration.

FIG. 9 is an enlarged perspective view of the watch when the band of the watch is in a curved and unlocked configuration; and,

FIG. 10 is an enlarged alternative perspective view of the watch when the body of the watch is shown unattached from the watch band and the band of the watch is in a curved and connected (or locked) configuration.

The broken lines in the drawings illustrate portions of the watch that form no part of the claimed design.

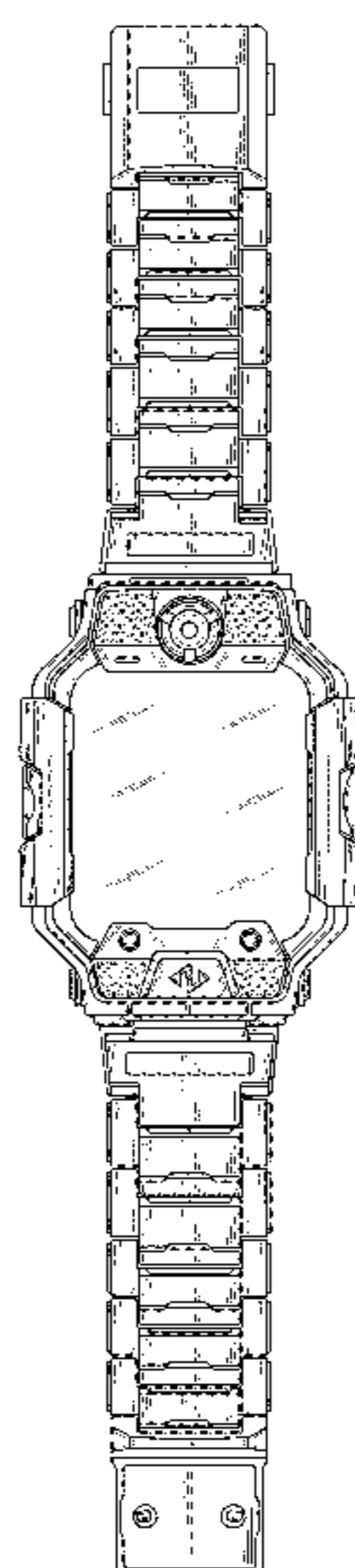
See application file for complete search history.

(56) **References Cited**

**U.S. PATENT DOCUMENTS**

2,101,690 A \* 12/1937 Sauer, Jr. .... G04B 37/005  
368/286  
4,482,256 A \* 11/1984 Matsuda ..... G04B 45/0069  
368/10

**1 Claim, 9 Drawing Sheets**



(56)

**References Cited**

## U.S. PATENT DOCUMENTS

D544,372 S \* 6/2007 Seyr ..... D10/32  
D688,582 S \* 8/2013 Wilson ..... D10/128  
8,967,437 B2 \* 3/2015 Wilson ..... A45F 5/00  
224/165  
D742,254 S \* 11/2015 Greusel ..... D10/30  
D752,996 S \* 4/2016 Ebersold ..... D10/30  
D765,072 S \* 8/2016 Kwon ..... D14/344  
D766,904 S \* 9/2016 Jung ..... D14/440  
D775,126 S \* 12/2016 Montero Odasso ..... D14/344  
D776,764 S \* 1/2017 Kuramoto ..... D21/531  
D789,357 S \* 6/2017 Wu ..... D14/344  
D799,988 S \* 10/2017 White ..... D10/30  
D841,005 S \* 2/2019 Lin ..... D14/344  
D856,160 S \* 8/2019 Yu ..... D10/32  
D881,185 S \* 4/2020 He ..... D14/344  
D902,745 S \* 11/2020 Gonet ..... D10/32  
D926,053 S \* 7/2021 Soheili ..... D10/38  
D930,644 S \* 9/2021 Nie ..... D14/341  
D932,321 S \* 10/2021 Jung ..... D10/32  
2015/0077912 A1 \* 3/2015 Ishibashi ..... G04G 17/08  
361/679.03  
2020/0275746 A1 \* 9/2020 Chung ..... A44C 5/0007

\* cited by examiner

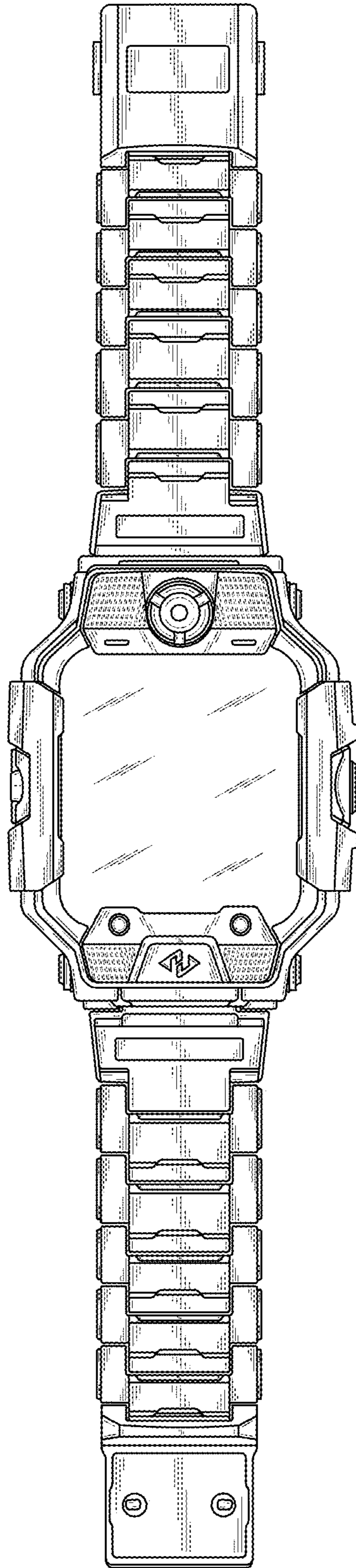


FIG. 1

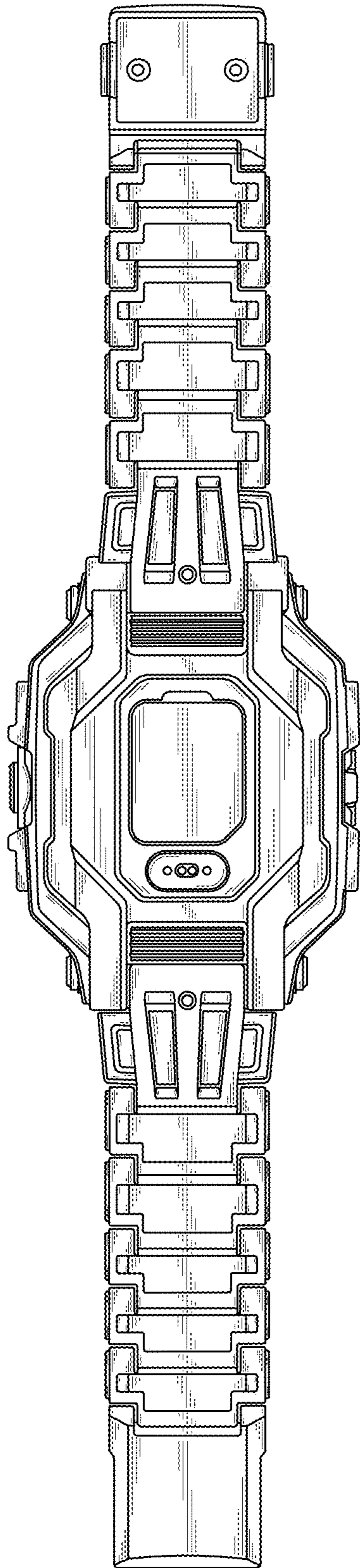


FIG. 2

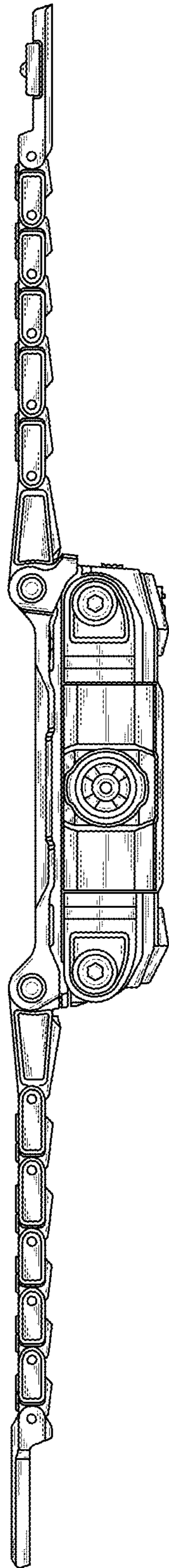


FIG. 3

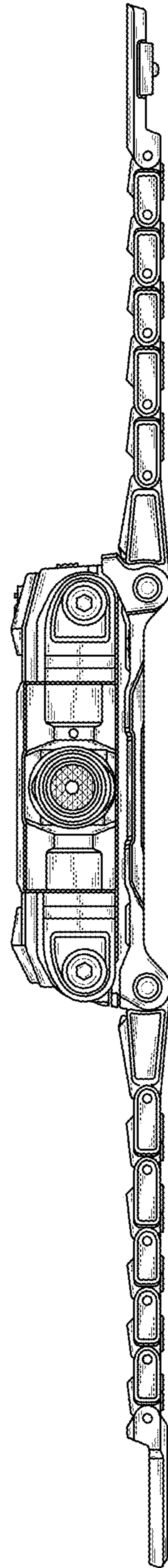


FIG. 4

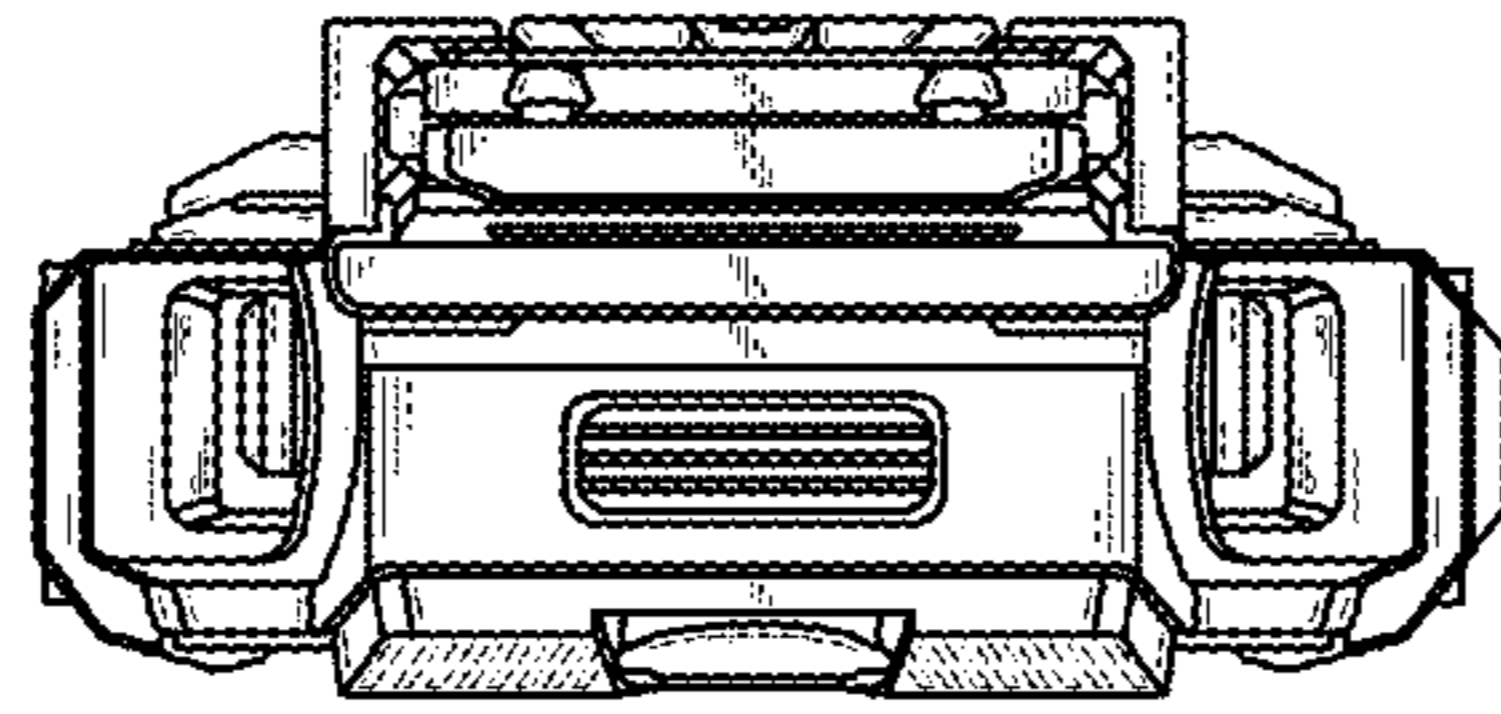


FIG. 5

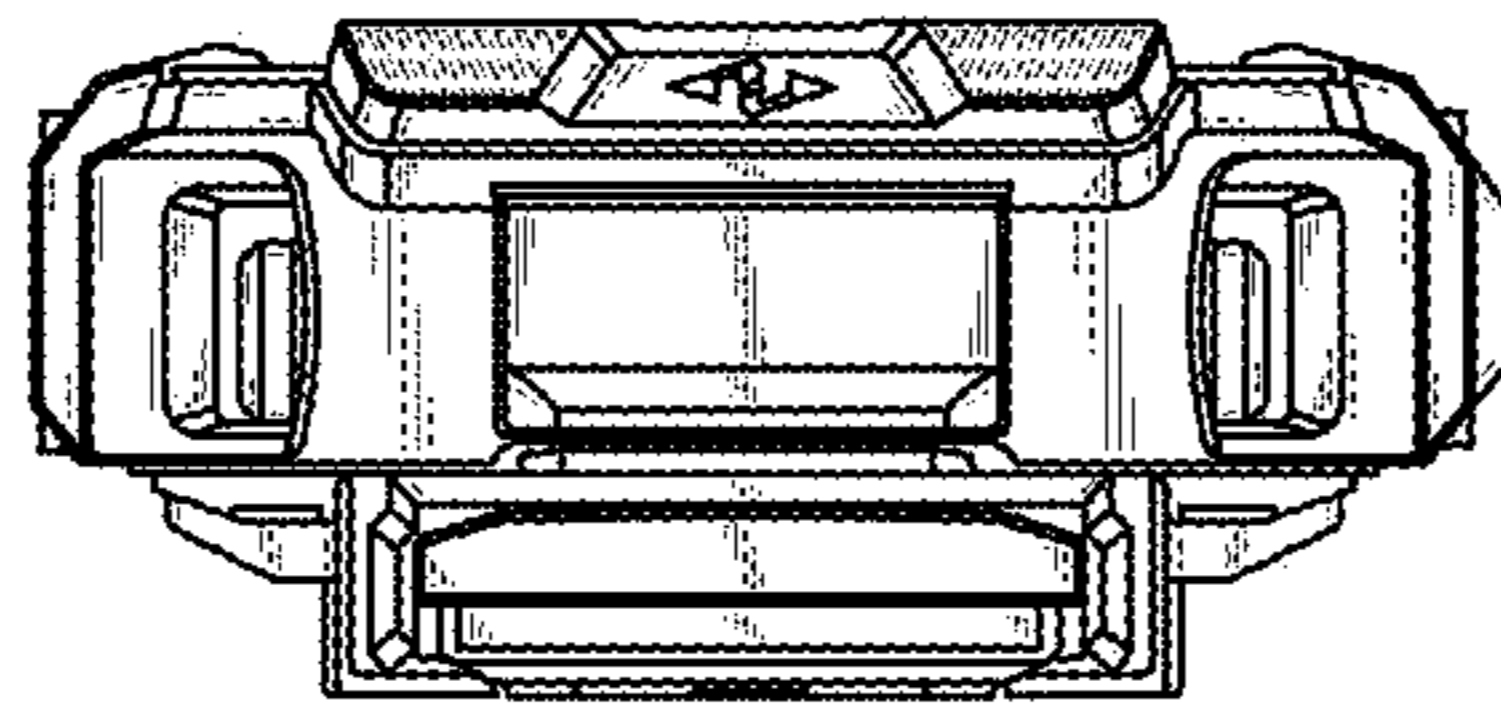


FIG. 6

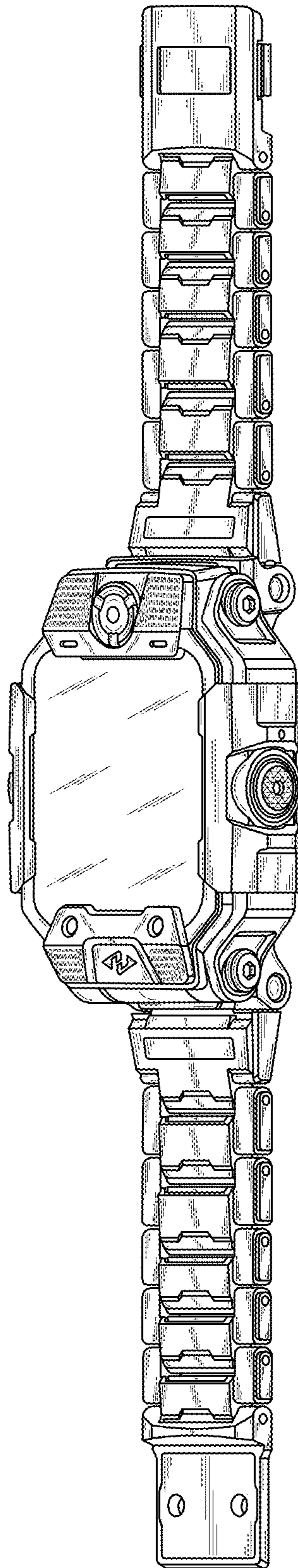


FIG. 7



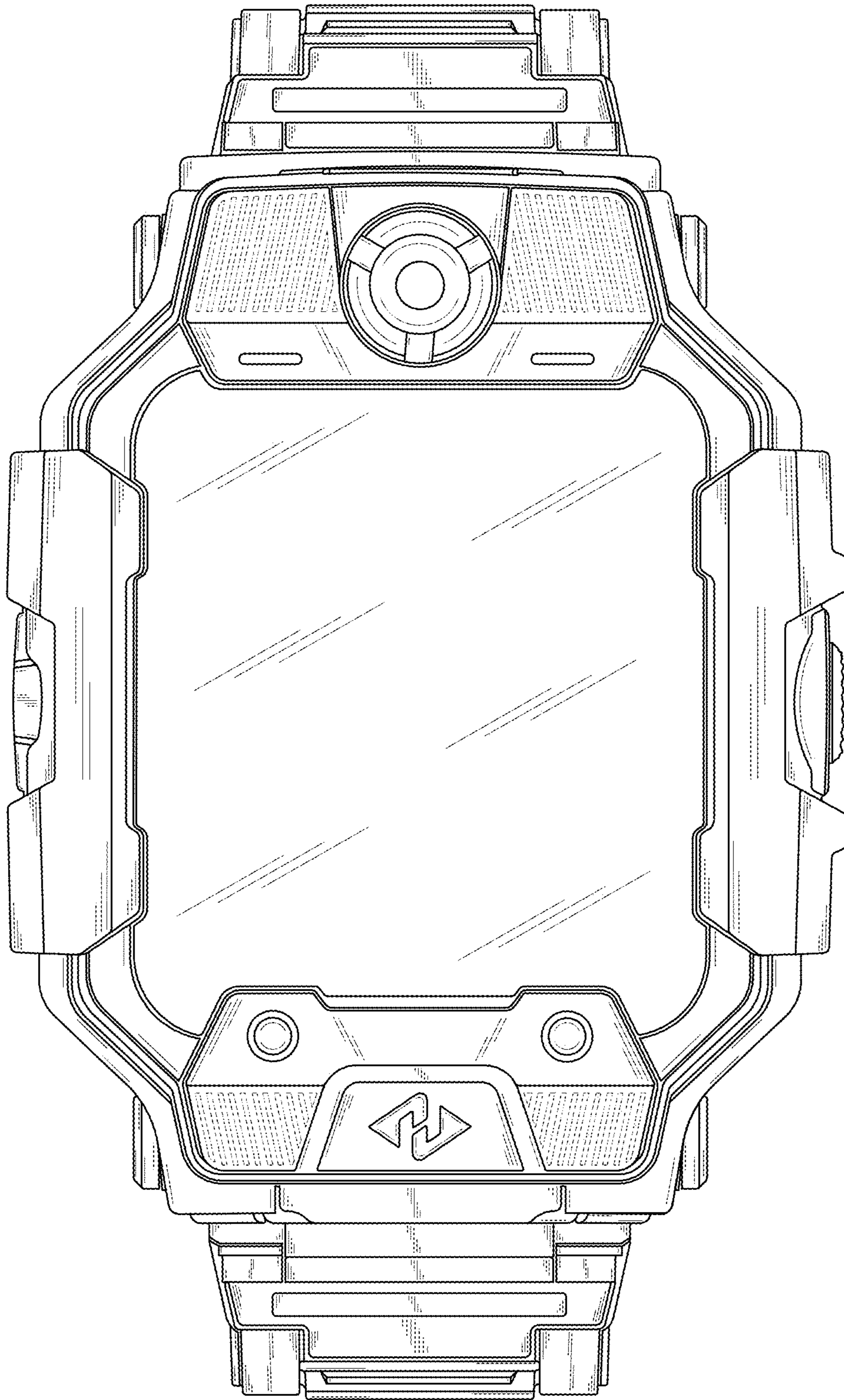


FIG. 8

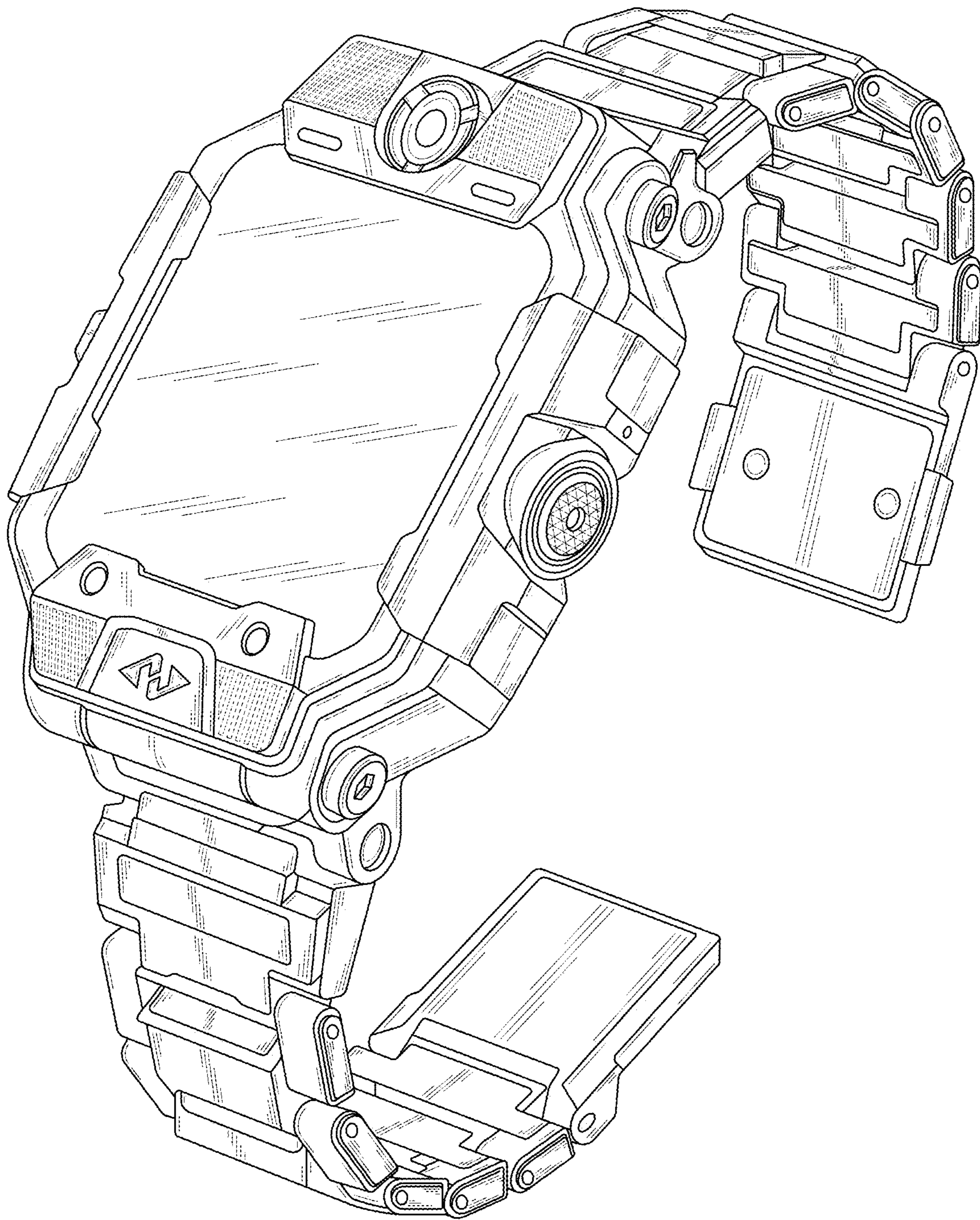


FIG. 9

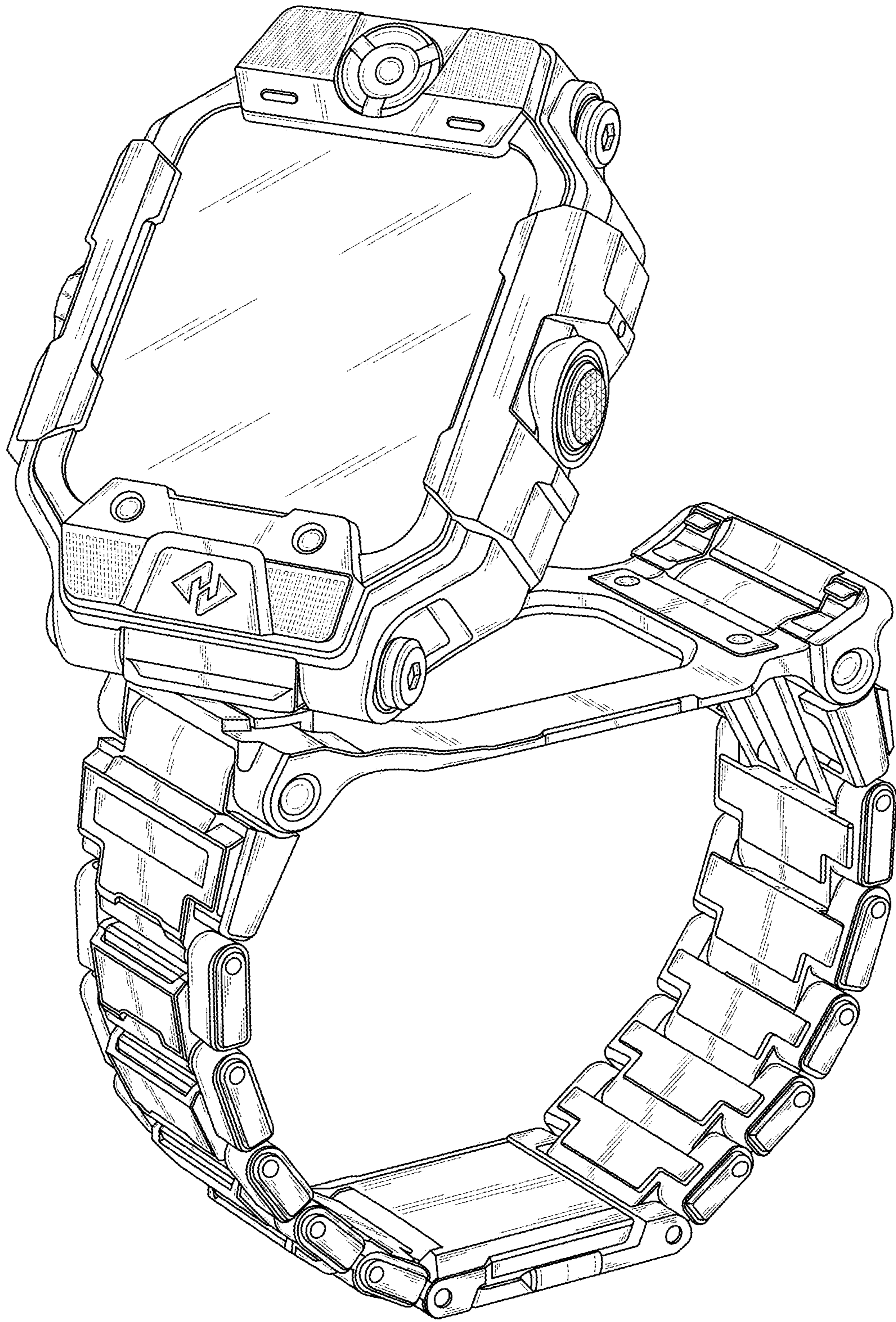


FIG. 10