



US00D958672S

(12) **United States Design Patent** (10) **Patent No.:** **US D958,672 S**  
**Warner** (45) **Date of Patent:** **\*\* Jul. 26, 2022**

(54) **DISPENSER POUCH**

(71) Applicant: **1Touch Holdings INC.**, Hartford, CT (US)

(72) Inventor: **Jim Warner**, Hartford, CT (US)

(73) Assignee: **1TOUCH HOLDINGS, INC.**, Hartford, CT (US)

(\*\*) Term: **15 Years**

(21) Appl. No.: **29/747,009**

(22) Filed: **Aug. 19, 2020**

(51) **LOC (13) Cl.** ..... **09-05**

(52) **U.S. Cl.**  
USPC ..... **D9/708**

(58) **Field of Classification Search**

USPC ..... D9/702-714, 443, 447, 499, 516-517, D9/523, 524, 526, 528, 530, 719, 572, D9/520, 521, 529; D24/118, 207, 108, D24/169, 216, 117, 115; 383/6, 9, 22, 383/96, 61.1, 80-81, 104, 901, 63, 203, 383/107, 119-120, 123, 61.2, 44; 220/675, 495.03, 200, 288; 215/381-385, 215/400, 328, 316, 200, 217; 206/484; D3/202, 203.1, 203.2; 428/34.3, 35.2; 222/92, 215, 95, 107; 604/408, 403, 415  
CPC ..... B65D 35/00; B65D 35/08; B65D 11/00; B65D 11/04; B65D 1/00; B65D 1/02; B65D 1/023; B65D 1/32; B65D 33/00; B65D 33/02; B65D 33/04; B65D 33/24; G01N 33/50; G01N 33/48; G01N 33/5005; A61L 2/10; A61L 2/24; A61L 2/22; A61L 2/26; A47K 5/12; A47K 5/1217; A45F 5/00; A45F 5/122

See application file for complete search history.

(56) **References Cited**

U.S. PATENT DOCUMENTS

D336,034 S \* 6/1993 Rebilas ..... D24/118  
D580,715 S \* 11/2008 Finell ..... D7/643  
D610,022 S \* 2/2010 Kanfer ..... D9/695  
D615,420 S \* 5/2010 Joo ..... D9/730  
D934,695 S \* 11/2021 Johnson ..... D9/702

\* cited by examiner

*Primary Examiner* — Abraham Bahta

(74) *Attorney, Agent, or Firm* — Cantor Colburn LLP

(57) **CLAIM**

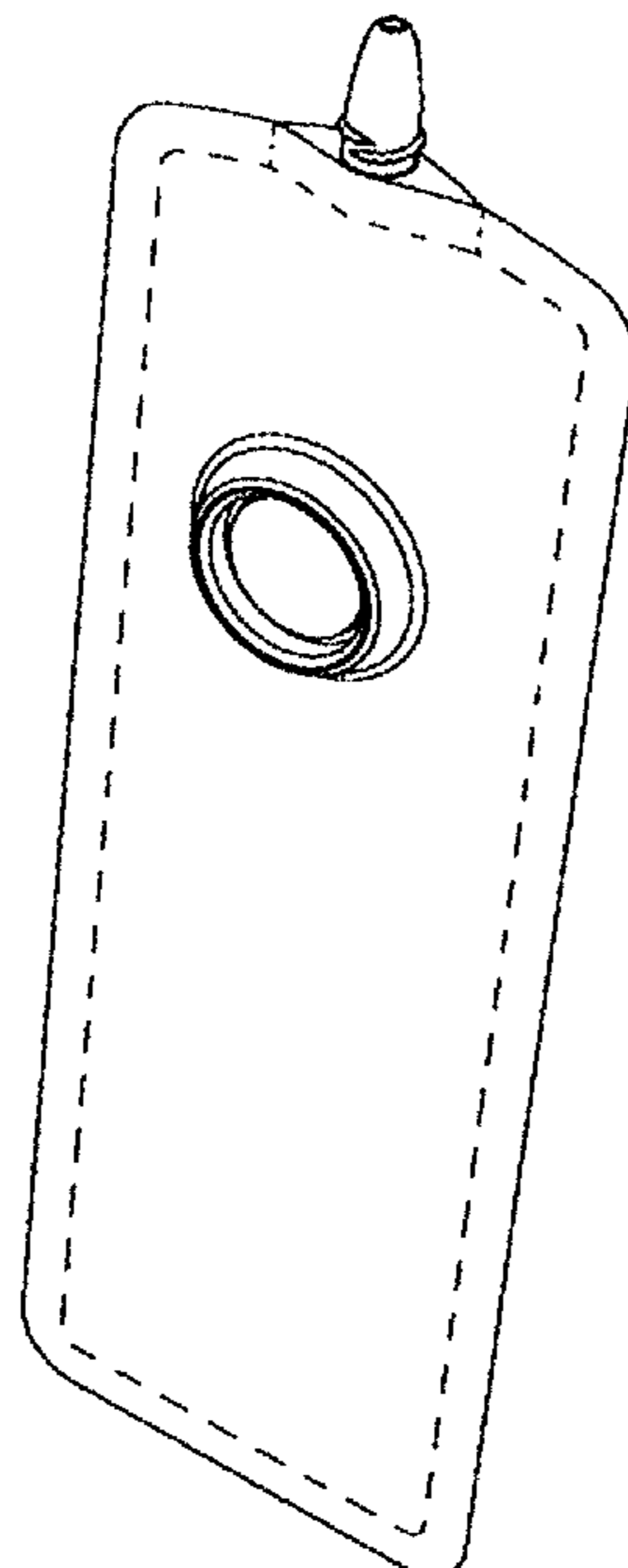
The ornamental design for a dispenser pouch, as shown and described.

**DESCRIPTION**

FIG. 1 is a right front top perspective view of the dispenser pouch design according to my invention;  
FIG. 2 is a front elevational view of the dispenser pouch shown in FIG. 1;  
FIG. 3 is a rear elevational view of the dispenser pouch shown in FIG. 1;  
FIG. 4 is a left side elevational view of the dispenser pouch shown in FIG. 1;  
FIG. 5 is a right side elevational view of the dispenser pouch shown in FIG. 1;  
FIG. 6 is a top plan view of the dispenser pouch design shown in FIG. 1; and,  
FIG. 7 is a bottom plan view of the dispenser pouch design shown in FIG. 1.

The broken lines shown represent unclaimed subject matter and form no part of the claimed design.

**1 Claim, 2 Drawing Sheets**



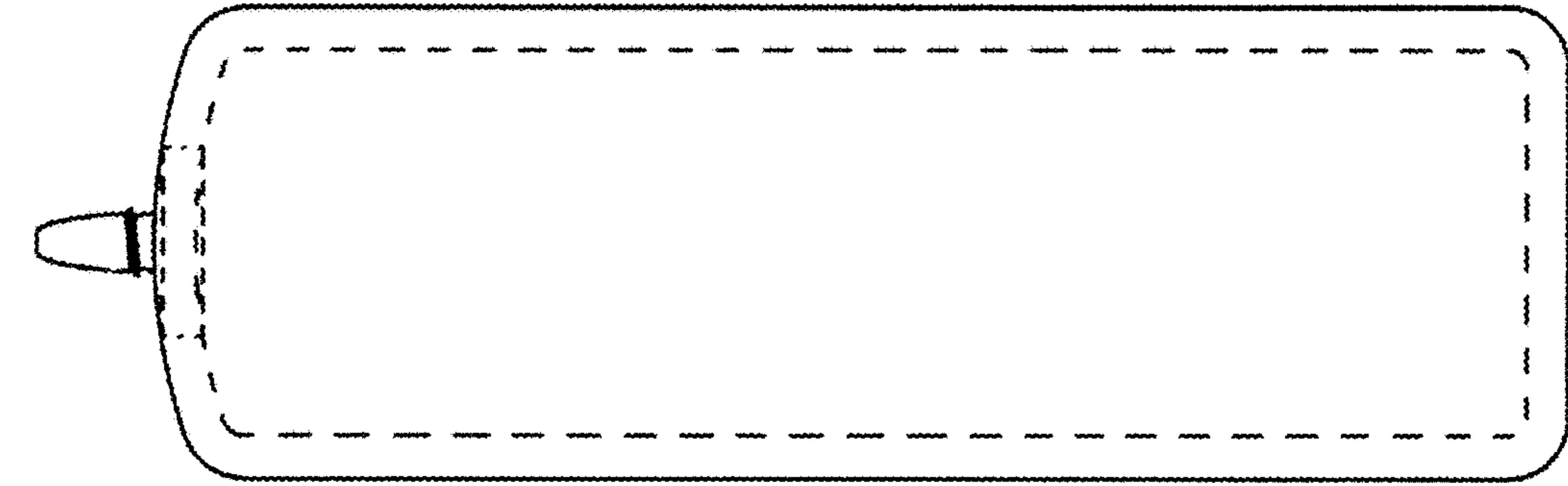


FIG. 1

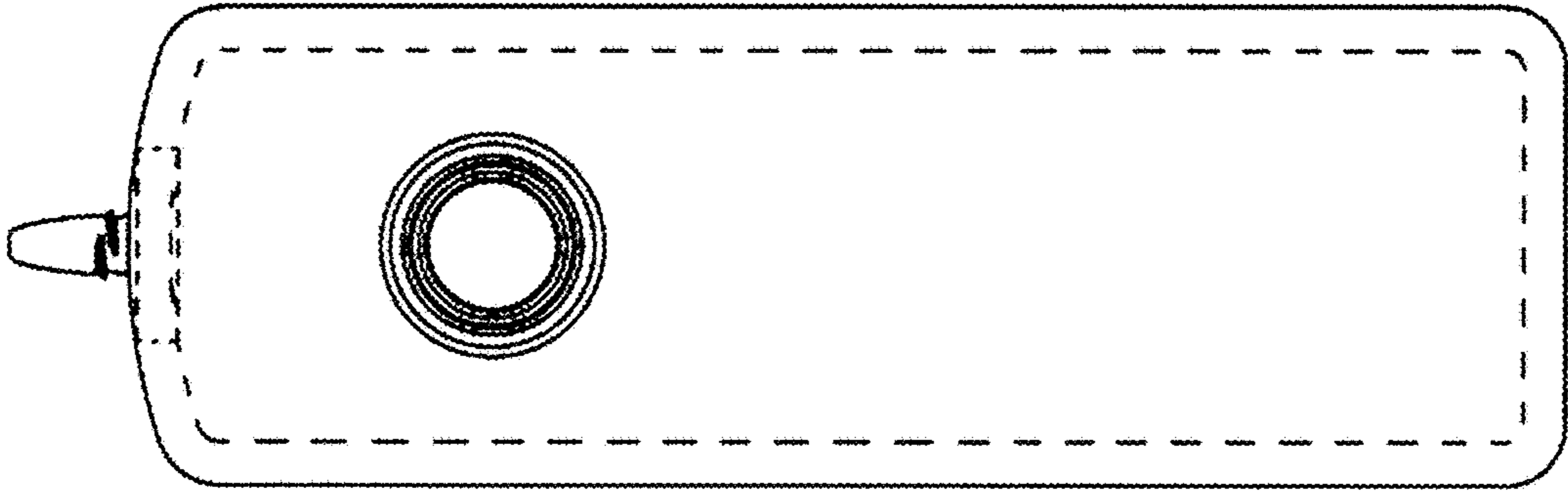


FIG. 2

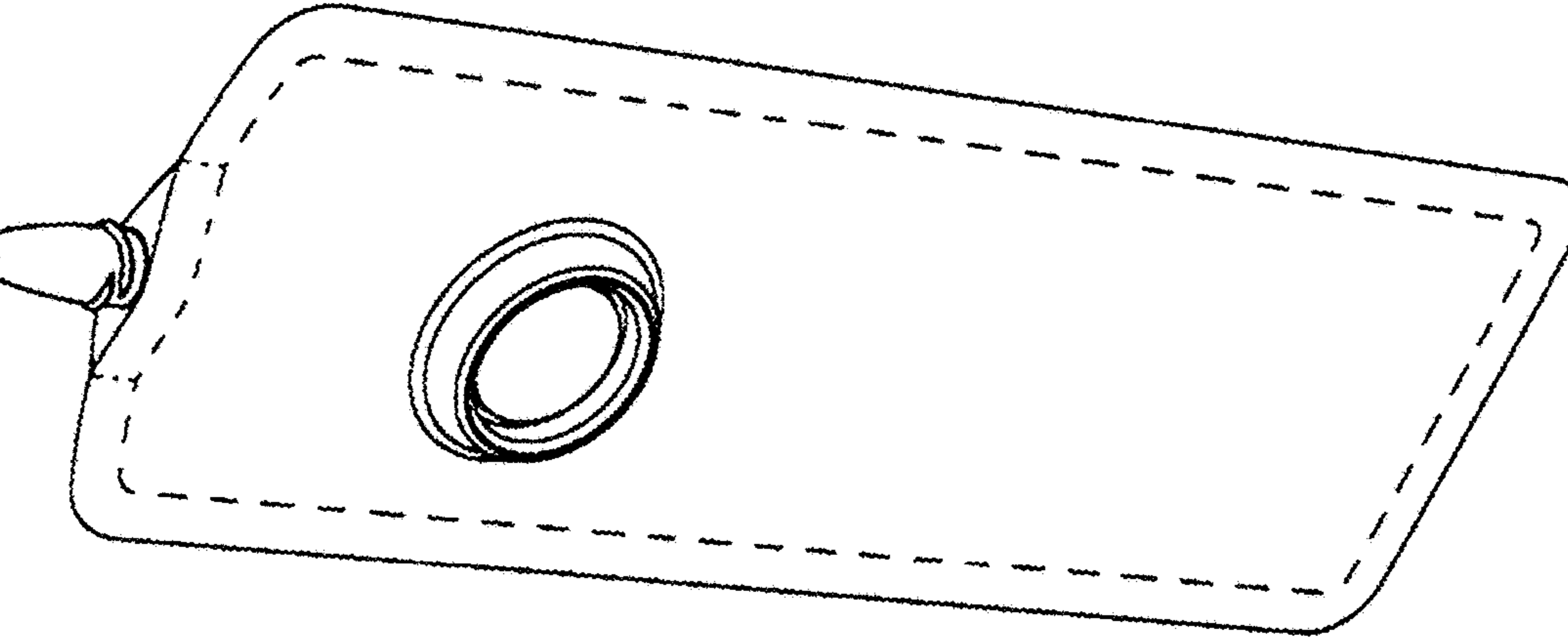


FIG. 3

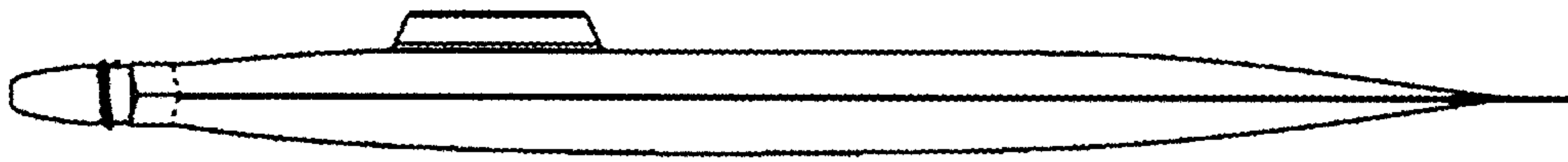


FIG. 4



FIG. 5



FIG. 6

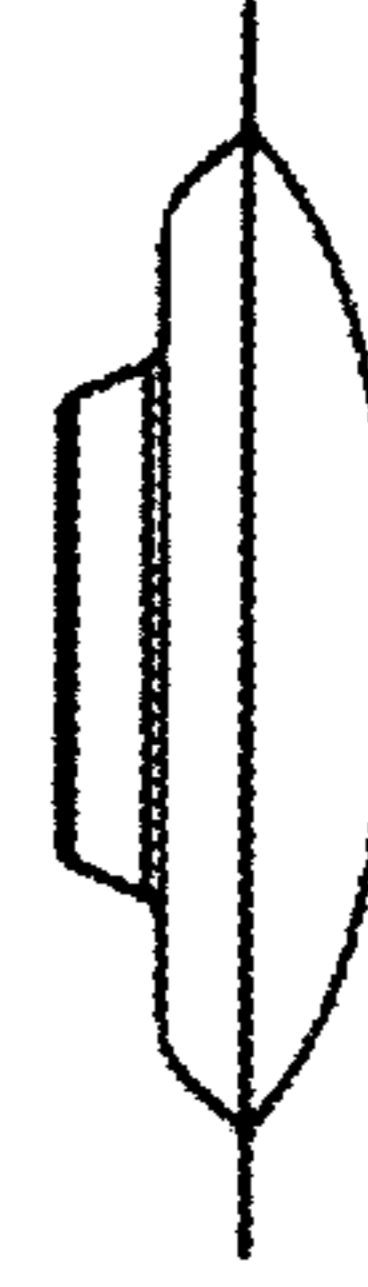


FIG. 7