



US00D958670S

(12) **United States Design Patent**
Roberts

(10) **Patent No.:** **US D958,670 S**
(45) **Date of Patent:** **** Jul. 26, 2022**

- (54) **GIFT BAG CARD HOLDER**
- (71) Applicant: **Tammy Roberts**, Elmira, NY (US)
- (72) Inventor: **Tammy Roberts**, Elmira, NY (US)
- (**) Term: **15 Years**
- (21) Appl. No.: **29/685,262**
- (22) Filed: **Mar. 27, 2019**
- (51) **LOC (13) Cl.** **09-05**
- (52) **U.S. Cl.**
USPC **D9/704**
- (58) **Field of Classification Search**
USPC D2/853, 857, 508; D5/30; D7/387, 388,
D7/389, 396.4; D9/414, 415, 416, 418,
D9/419, 430, 432, 433, 434, 456, 457,
D9/544, 545, 603, 623, 629, 643, 703,
D9/704; D20/10, 11, 13, 19, 22, 27, 40;
D24/100, 121, 224; D1/105, 199;
D18/24, 25, 26, 27, 28, 29, 30, 31, 32
CPC . B65D 5/00; B65D 5/001; B65D 5/02; B65D
5/0015; B65D 5/0227-0254; B65D 5/18;
B65D 5/20; B65D 5/38; B65D 5/40;
B65D 5/2033; B65D 5/40024; B65D
5/6605; B65D 1/22; B65D 1/24; B65D
1/34; B65D 27/00; B65D 27/22; B65D
33/00; B65D 33/12; B63B 35/38; B63B
35/00; A23G 3/50; A23G 3/563; A23G
9/503; A23G 9/26; A23G 9/48
See application file for complete search history.

(56) **References Cited**

U.S. PATENT DOCUMENTS

- 168,063 A * 9/1875 Taylor B65D 1/225
220/62
- D193,497 S * 9/1962 Kelley D2/853
- 3,951,085 A * 4/1976 Johnson B63B 35/38
114/266
- 4,952,894 A * 8/1990 Connerney H01P 5/12
333/113

- 5,078,283 A * 1/1992 Wilson A47F 5/101
160/135
 - D407,444 S * 3/1999 Gregory-Gillman D20/22
 - D416,103 S * 11/1999 Hashmi D26/120
 - 6,345,912 B1 * 2/2002 Ho B65D 33/12
383/127
 - D471,089 S * 3/2003 Schweky D9/704
 - D555,008 S * 11/2007 Gattino D9/702
- (Continued)

OTHER PUBLICATIONS

Triangular Prisms: Announced Nov. 12, 2016 [online]. Site Visited [Jan. 8, 2021]. Available from Internet URL: http://lrd.kangan.edu.au/numbers/content/03_volume/04_page.htm.*

(Continued)

Primary Examiner — Catherine S Posthauer
(74) *Attorney, Agent, or Firm* — Sanchelima & Associates, P.A.; Christian Sanchelima; Jesus Sanchelima

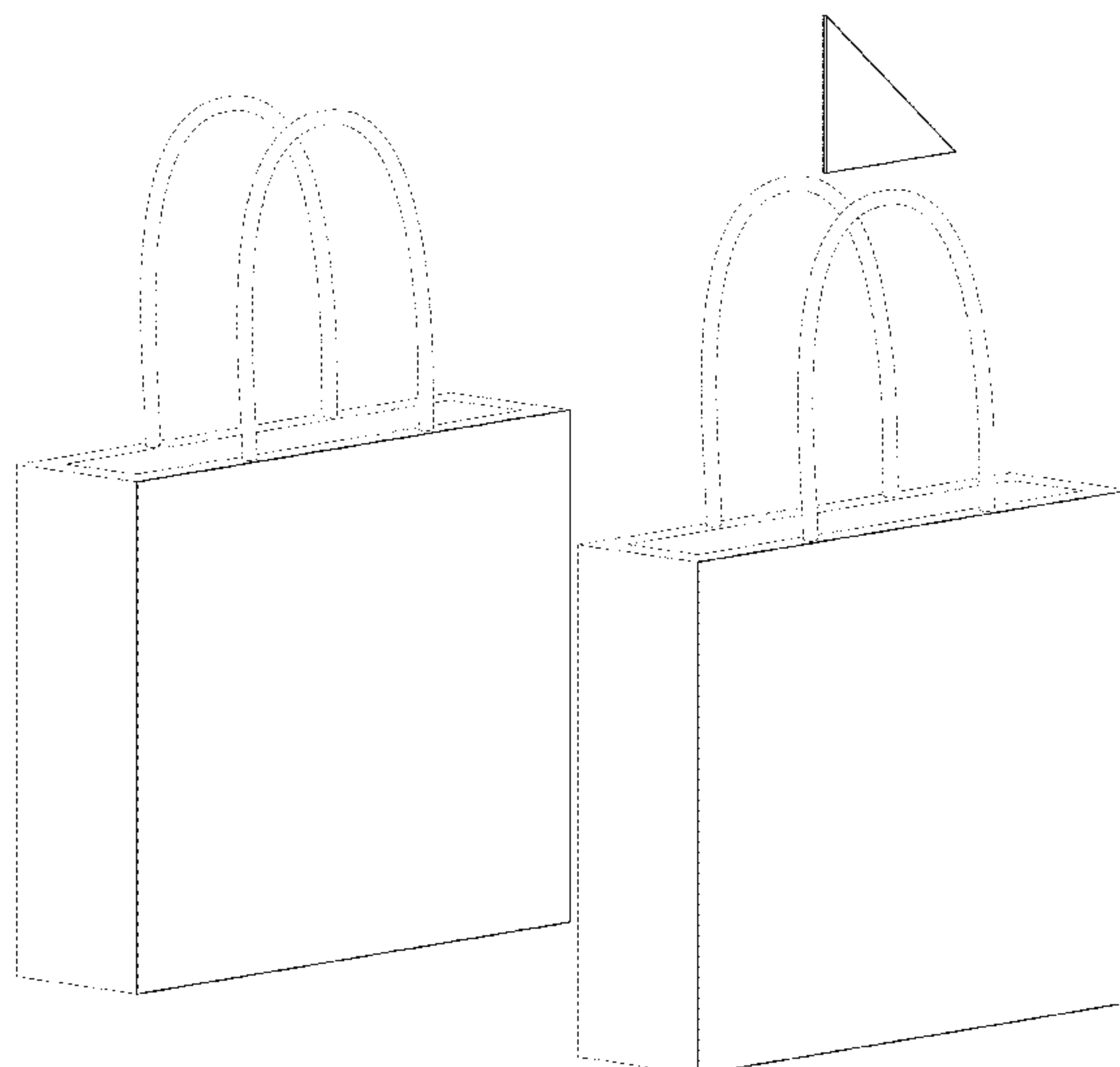
(57) **CLAIM**

The ornamental design for gift bag card holder, as shown and described.

DESCRIPTION

FIG. 1 is a front side perspective view of a gift bag card holder showing my new design;
 FIG. 2 is a front view thereof;
 FIG. 3 is a cross sectional view taken in the direction of line 3-3 on FIG. 6;
 FIG. 4 is a cross sectional view taken in the direction of line 4-4 of FIG. 6;
 FIG. 5 is a cross sectional view taken in the direction of line 5-5 on FIG. 6;
 FIG. 6 is a top view thereof;
 FIG. 7 is a bottom view thereof; and,
 FIG. 8 is an exploded view thereof showing my design.
 The broken lines are shown for the purpose of illustrating parts of the article that form no part of the claimed design.

1 Claim, 6 Drawing Sheets



(56)

References Cited

U.S. PATENT DOCUMENTS

D599,077	S *	9/2009	Garcia Aleman	D1/128
D604,603	S *	11/2009	Kohno	D9/418
D673,056	S *	12/2012	Gallas	D9/703
D731,052	S *	6/2015	Doerr	D24/121
D739,766	S *	9/2015	Glass	D9/705
D740,690	S *	10/2015	Glass	D9/722
D742,624	S *	11/2015	Meyers	D2/857
D747,217	S *	1/2016	Glass	D9/703
D749,964	S *	2/2016	Glass	D9/703
D764,939	S *	8/2016	Akana	D9/703
D796,341	S *	9/2017	Barlier	D9/703
D801,191	S *	10/2017	Unger	D19/3
D833,274	S *	11/2018	Kim	D9/434
D860,000	S *	9/2019	Baldelomar Bernardin ..	D9/704
D867,506	S *	11/2019	Montanaro	D21/778
D895,731	S *	9/2020	Schwab	D20/27
D900,629	S *	11/2020	Milos	D9/703
D931,735	S *	9/2021	Hogenbirk	D9/702
D941,677	S *	1/2022	Chen	D9/704
2011/0142373	A1 *	6/2011	Kong	B65D 33/105 383/38
2013/0156351	A1 *	6/2013	Kern	A45C 3/04 383/39
2016/0264303	A1 *	9/2016	Borges	B65D 33/004

OTHER PUBLICATIONS

Treat Bag + Gift Card Holder: Announced Feb. 4, 2021 [online].
 Site visited [Dec. 8, 2021]. Availalbe from Internet URL:
wowembossingpowder.blogspot.com/2021/02/treat-bag-gift-card-holder-with-karen.html.*

* cited by examiner

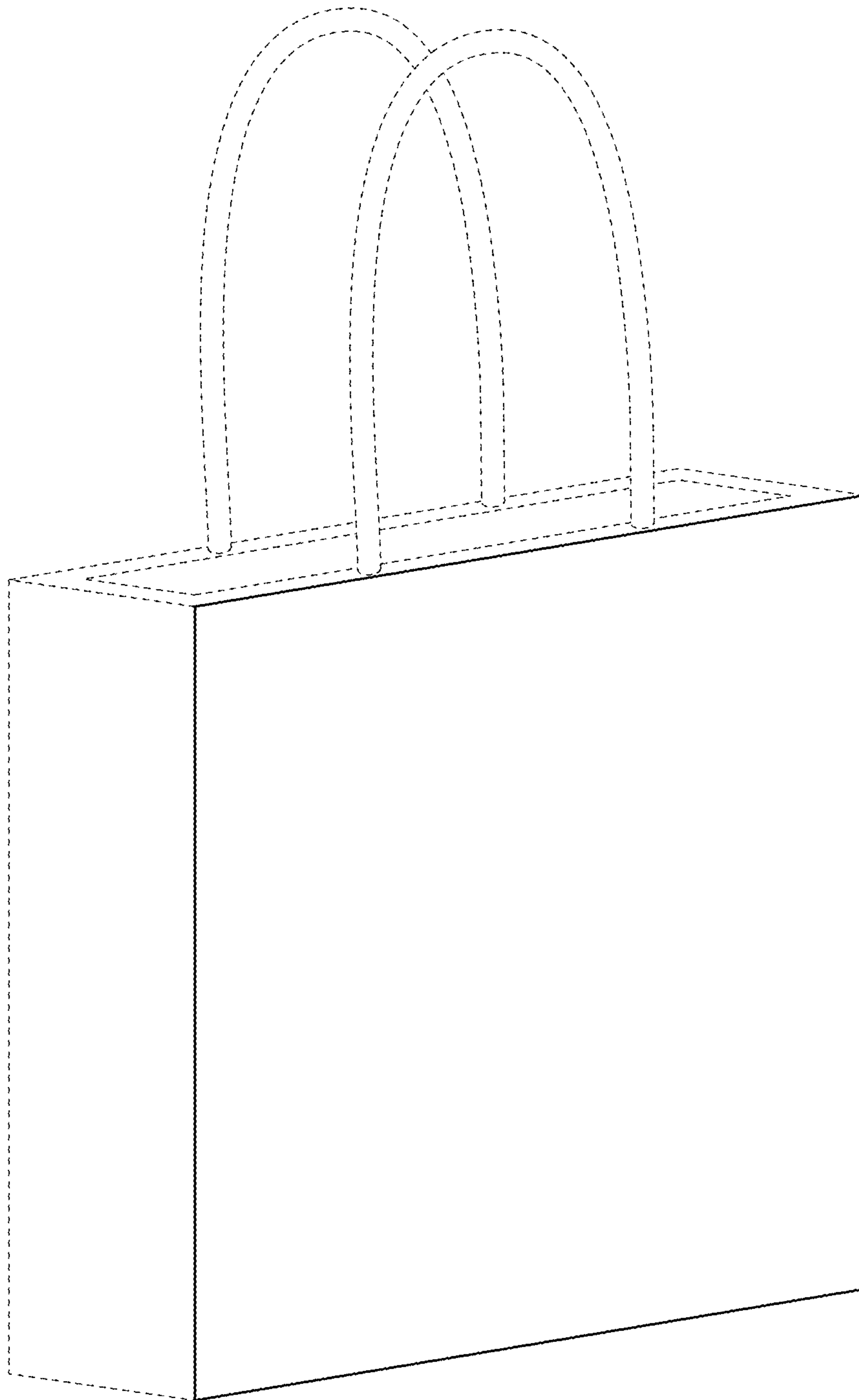


FIG. 1

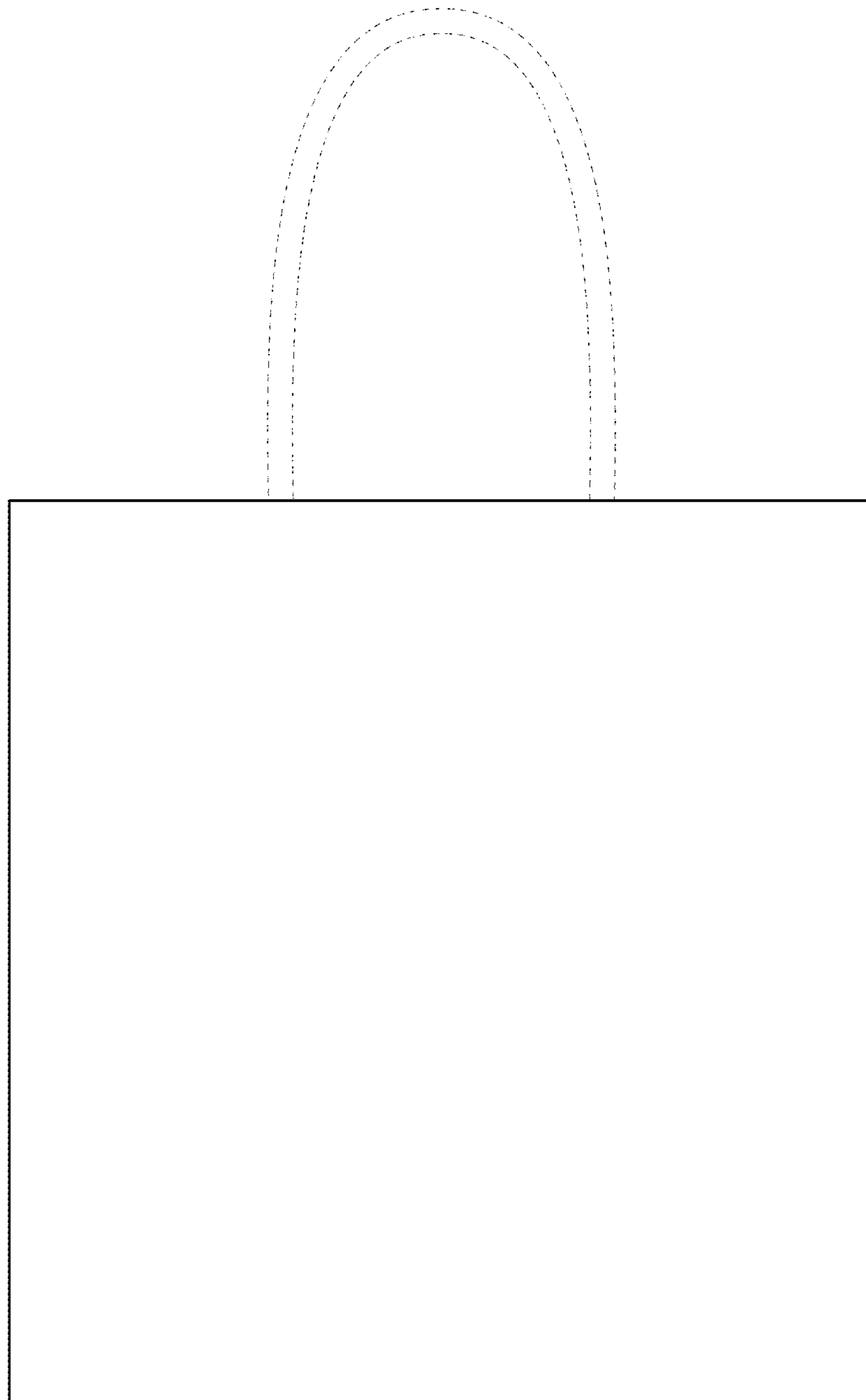


FIG. 2

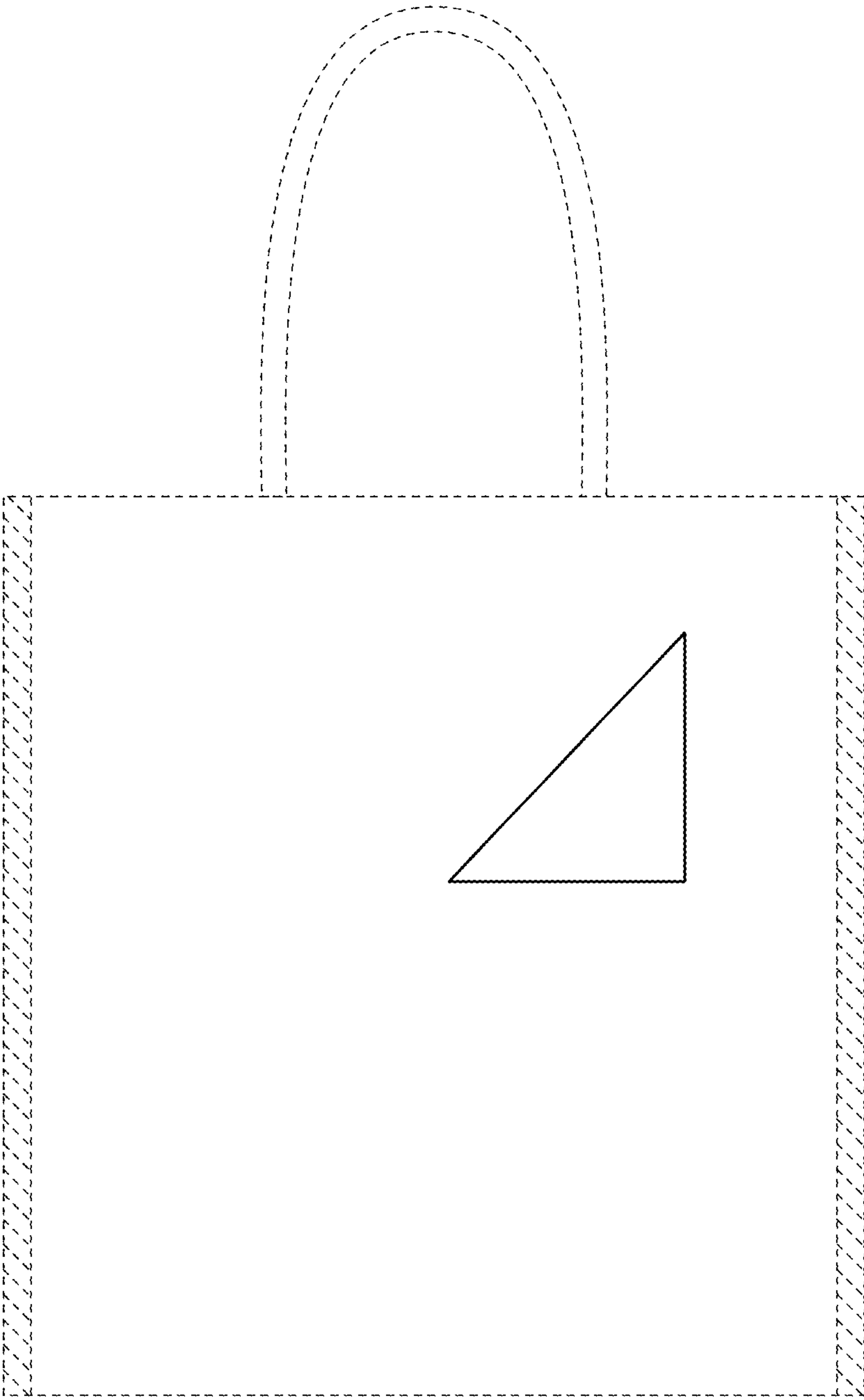


FIG. 3

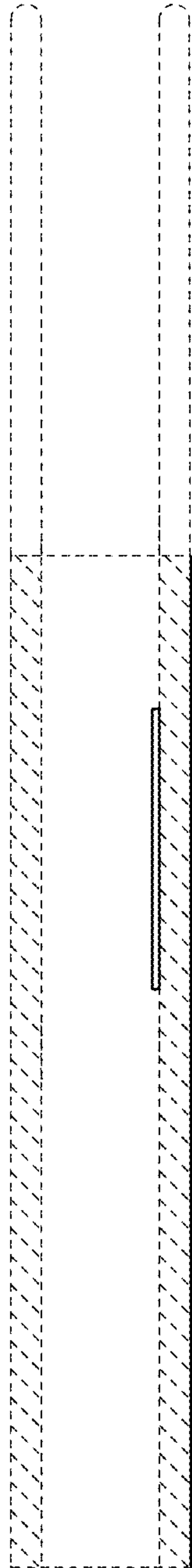


FIG. 4

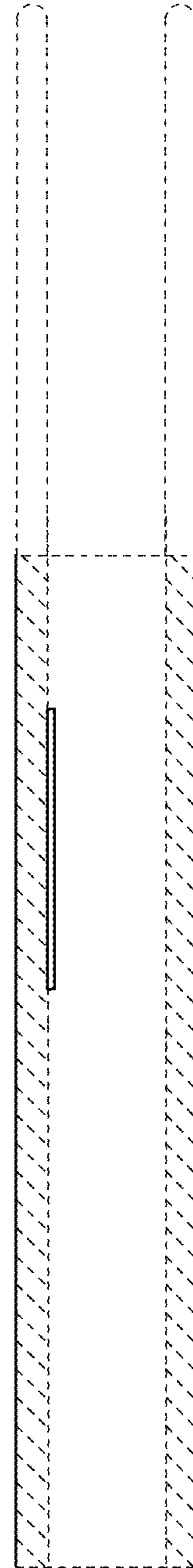


FIG. 5

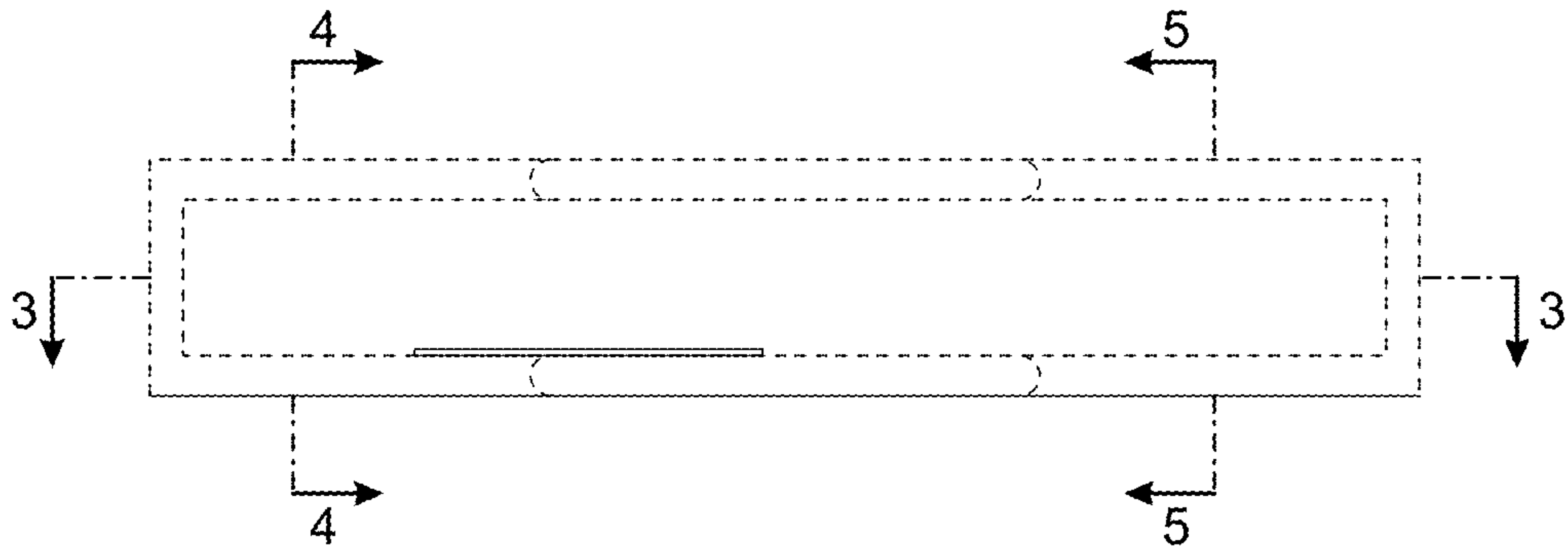


FIG. 6



FIG. 7

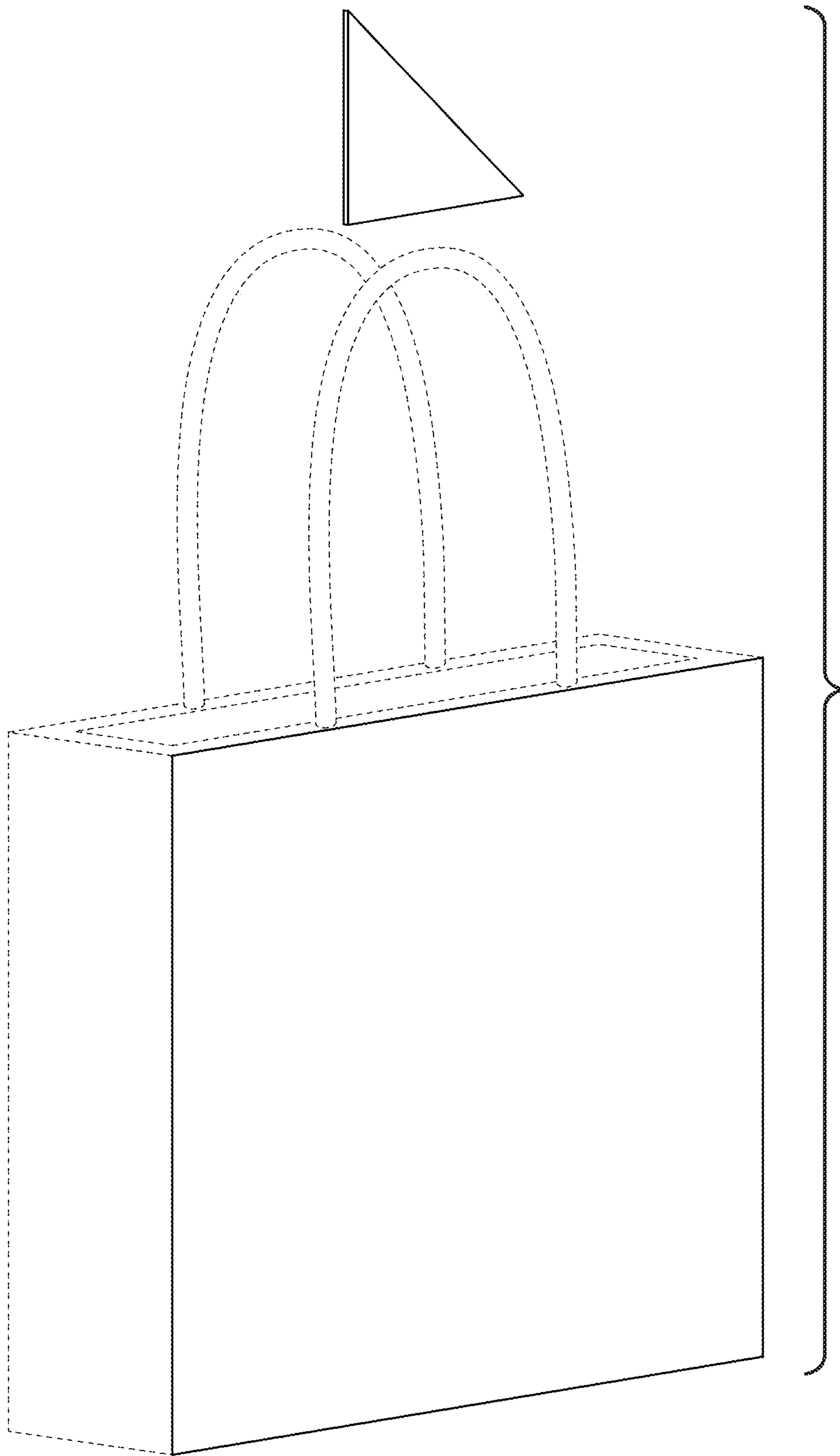


FIG. 8