



US00D958668S

(12) **United States Design Patent** (10) **Patent No.:** **US D958,668 S**
Lin et al. (45) **Date of Patent:** **** Jul. 26, 2022**

(54) **TAMPER EVIDENT BAG**

OTHER PUBLICATIONS

(71) Applicant: **Inteplast Group Corporation**,
Livingston, NJ (US)

Web-page for Seal2Go®—Pan Pacific, <http://www.pppmi.com/seal-2-go/>, 3 pages.

(Continued)

(72) Inventors: **Sumei Lin**, Morristown, NJ (US);
Li-yung Chang, Livingston, NJ (US);
Ben Tseng, Somerset, NJ (US)

Primary Examiner — Abraham Bahta
(74) *Attorney, Agent, or Firm* — Stinson LLP

(73) Assignee: **INTERPLAST GROUP CORPORATION**, Livingston, NJ (US)

(57) **CLAIM**

The ornamental design for a tamper evident bag, as shown and described.

(**) Term: **15 Years**

DESCRIPTION

(21) Appl. No.: **29/743,806**

(22) Filed: **Jul. 24, 2020**

Related U.S. Application Data

(60) Continuation of application No. 15/884,664, filed on Jan. 31, 2018, now Pat. No. 10,793,335, which is a
(Continued)

(51) **LOC (13) Cl.** **09-03**

(52) **U.S. Cl.**
USPC **D9/703**

(58) **Field of Classification Search**
USPC D9/702–714, 499, 443, 435, 434, 415;
D24/118, 121; 426/106; 383/61.1, 42,
(Continued)

(56) **References Cited**

U.S. PATENT DOCUMENTS

3,090,483 A 5/1963 Altree et al.
3,124,298 A 3/1964 Repko
(Continued)

FOREIGN PATENT DOCUMENTS

CA 3006877 A1 12/2018
EP 3530585 A1 8/2019
(Continued)

FIG. 1 is a perspective view of a first embodiment of a tamper evident bag with a closure panel in a lowered orientation;

FIG. 2 is a perspective view of the tamper evident bag of FIG. 1 with the closure panel in a raised orientation;

FIG. 3 is a front view of the tamper evident bag of FIG. 1; FIG. 4 is a rear view thereof, the right side, left side, top and bottom views forming no part of the present invention;

FIG. 5 is a perspective view of the tamper evident bag of FIG. 1 with a portion of a tear out section torn away from the bag;

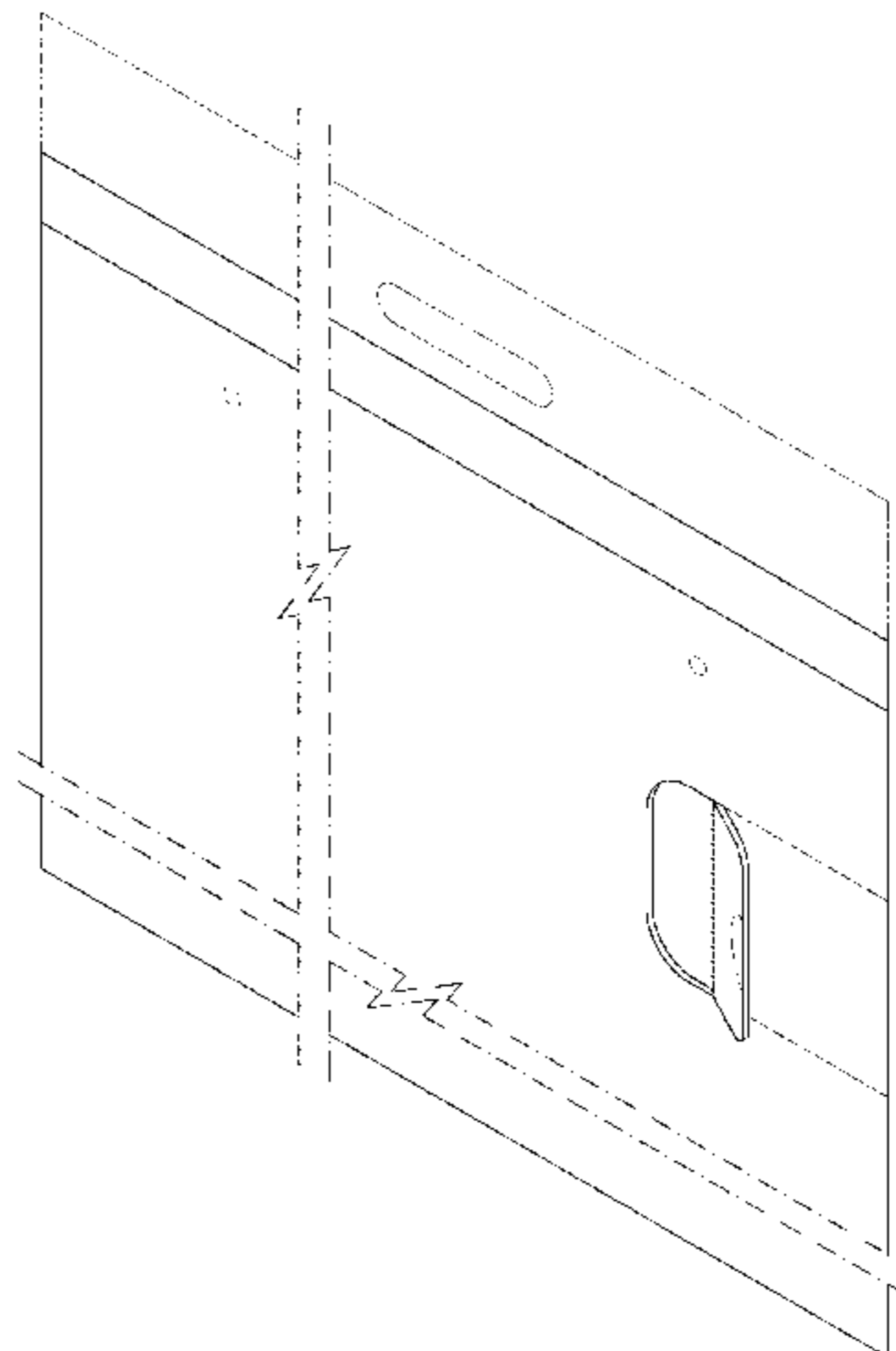
FIG. 6 is a perspective view of a second embodiment of a tamper evident bag with a portion of a tear out section torn away from the bag, the tear out section at a different elevation on the bag; and,

FIG. 7 is a perspective view of a third embodiment of a tamper evident bag with a portion of a tear out section torn away from the bag, the tear out section at another different elevation on the bag.

The front and rear views of the embodiments in FIGS. 6 and 7 are as shown in FIGS. 3 and 4, except that the tamper evident bag has the tear out section at the elevation shown in the embodiments of FIGS. 6 and 7, respectively.

The elements shown in broken lines of dashes of substantially equal length indicate lines of perforations, which are aspects of the claimed design. The elements shown in broken lines in a dashed, long-short-short-long pattern form no part of the claimed design.

(Continued)



Break lines indicate no specific height or no specific width with portions between the respective break lines forming no part of the claimed design.

1 Claim, 7 Drawing Sheets

Related U.S. Application Data

division of application No. 29/650,650, filed on Jun. 8, 2018, now Pat. No. Des. 891,267.

(58) Field of Classification Search

USPC 383/119, 108, 103, 106, 120, 127;
 222/92, 107, 215; 220/666; 211/85.15;
 206/406, 811, 484, 260; 428/35.2;
 D3/203.1, 203.2, 303
 CPC B65D 33/00; B65D 33/24; B65D 1/00;
 B65D 1/32; B65D 11/00; B65D 11/10;
 B65D 11/20; B65D 17/00; B65D 17/04;
 A61J 1/00; A61J 1/10

See application file for complete search history.

(56) References Cited

U.S. PATENT DOCUMENTS

3,896,966 A	7/1975	Canno
4,483,018 A	11/1984	Whelan
4,573,203 A	2/1986	Peppiatt
4,691,368 A	9/1987	Roessiger
4,834,552 A	5/1989	Makowka
4,966,286 A	10/1990	Muckenfuhs
5,048,687 A	9/1991	Suzuki et al.
5,054,619 A	10/1991	Muckenfuhs
D323,797 S	2/1992	Forman et al.
5,163,558 A	11/1992	Palumbo et al.
5,361,905 A	12/1994	McQueeney et al.

5,372,428 A	12/1994	Bruno et al.
5,482,376 A	1/1996	Moseley et al.
5,593,229 A	7/1997	Warr
5,655,843 A	8/1997	Conrad et al.
5,666,445 A	9/1997	Conrad et al.
5,676,467 A	10/1997	Gebhardt
5,741,077 A	4/1998	Sasaki et al.
5,951,166 A	9/1999	Matsumoto
6,033,392 A	3/2000	Frey et al.
D557,148 S	12/2007	Kapinos, Sr.
7,530,740 B2	5/2009	Geyer
D777,569 S	1/2017	Boekeloo et al.
D799,337 S	10/2017	Bhati
10,604,305 B2	3/2020	Sumei
D891,267 S	7/2020	Sumei
10,793,335 B2	10/2020	Sumei
D934,696 S *	11/2021	Lantz B65D 65/38 D9/709
2006/0124494 A1	6/2006	Clark, Jr. et al.
2011/0045220 A1	2/2011	Rush
2017/0050768 A1	2/2017	Tseng et al.
2017/0253385 A1	9/2017	Sargin
2018/0162603 A1	6/2018	Tan

FOREIGN PATENT DOCUMENTS

GB	2035258	6/1980
GB	2339187 A	1/2000
JP	H0302754 A	2/1991
JP	H08182524 A	7/1996
JP	2009269622 A	11/2009
JP	2014151960 A	8/2014
WO	9818678	5/1998

OTHER PUBLICATIONS

Non-Final Office Action, U.S. Appl. No. 15/884,664, dated Feb. 4, 2019, pp. 8.

* cited by examiner

FIG. 1

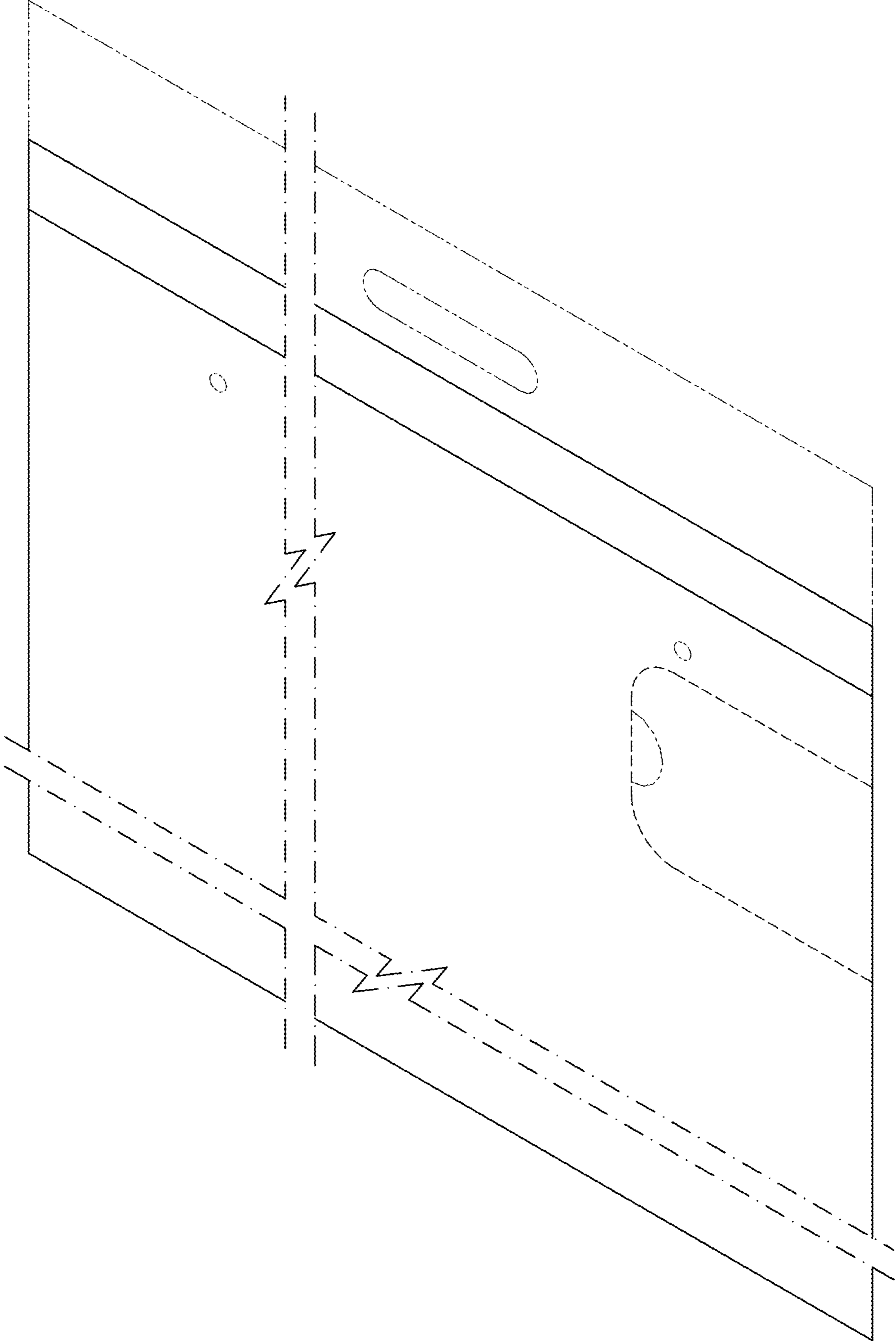


FIG. 2

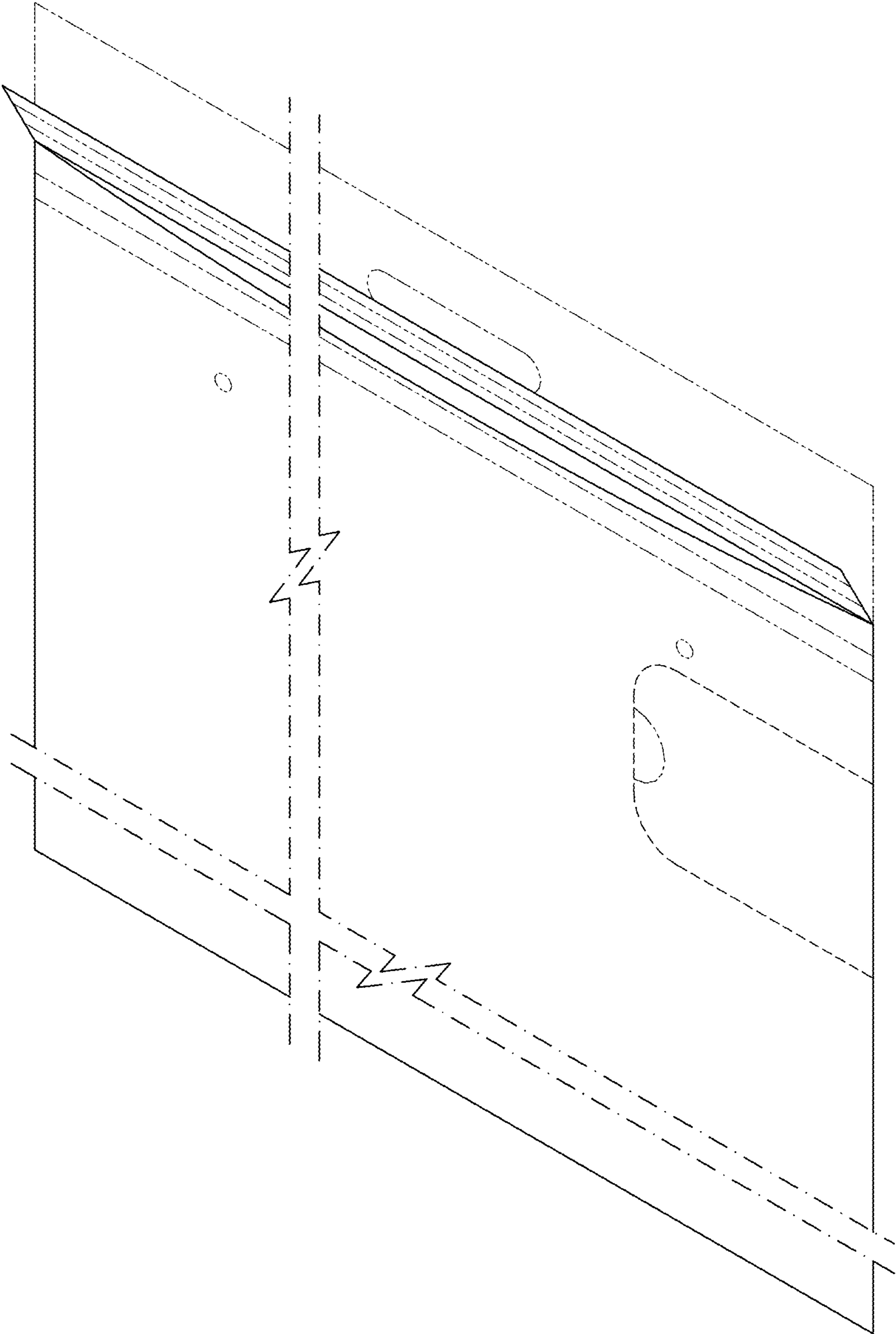


FIG. 3

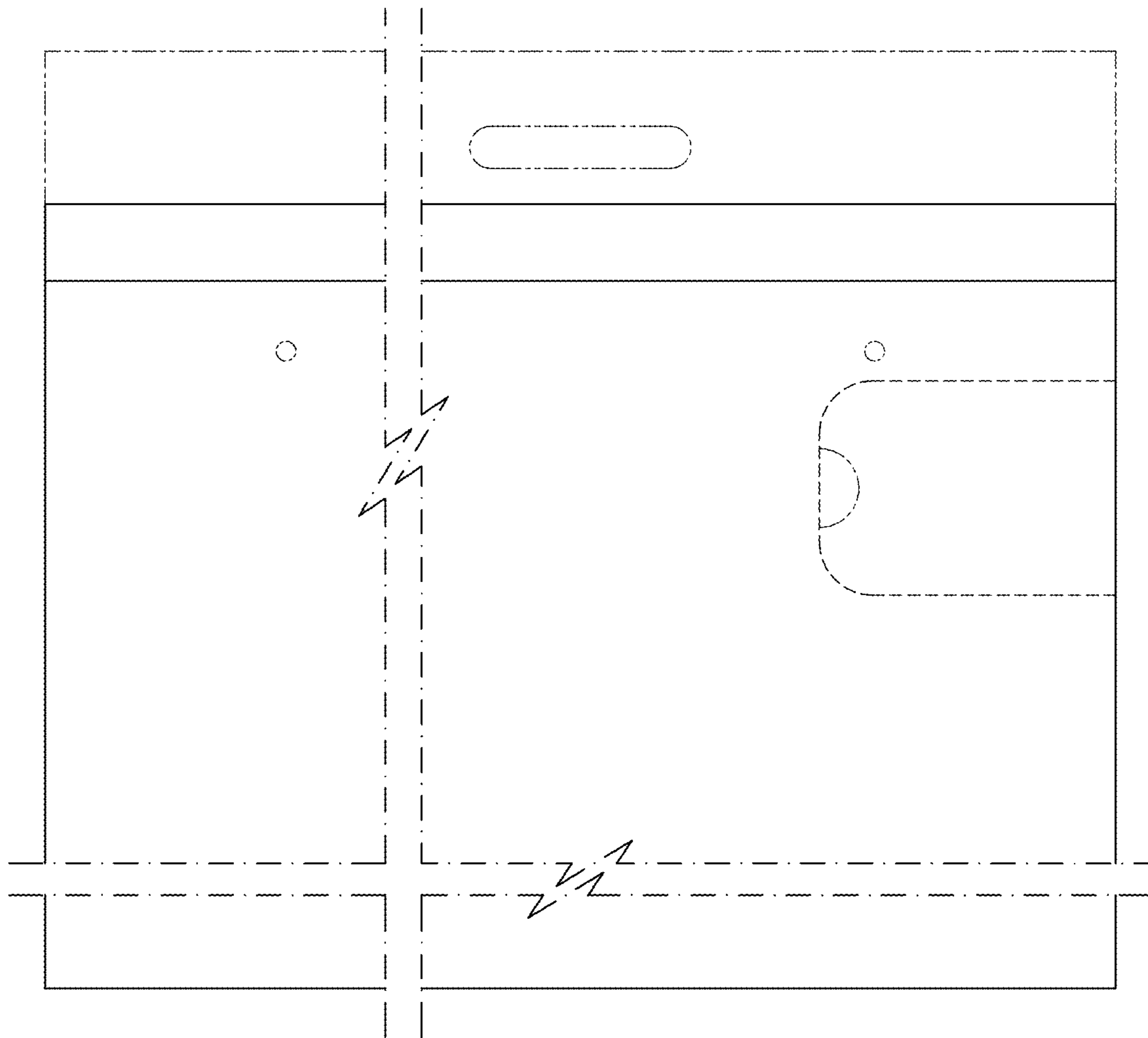


FIG. 4

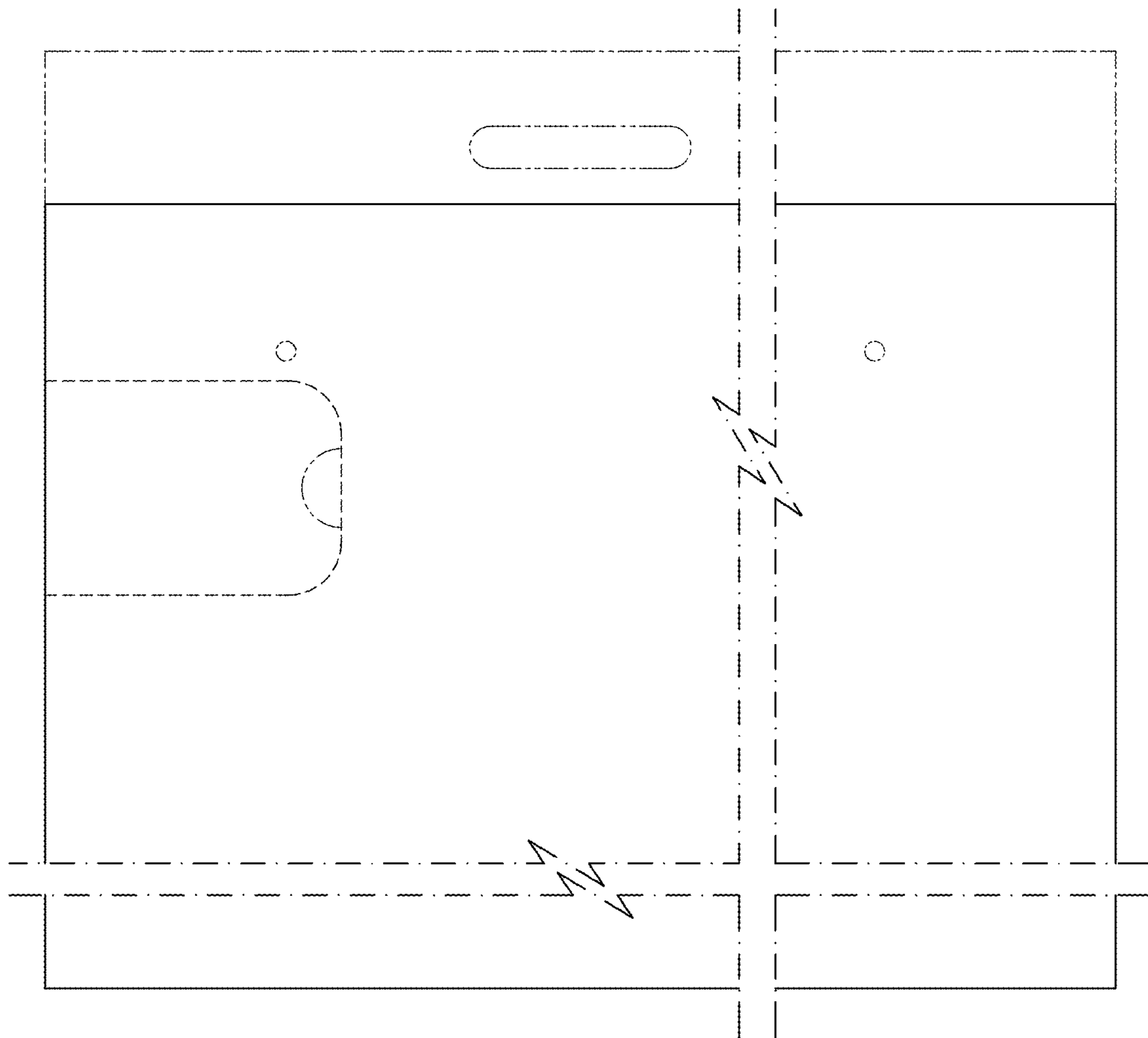


FIG. 5

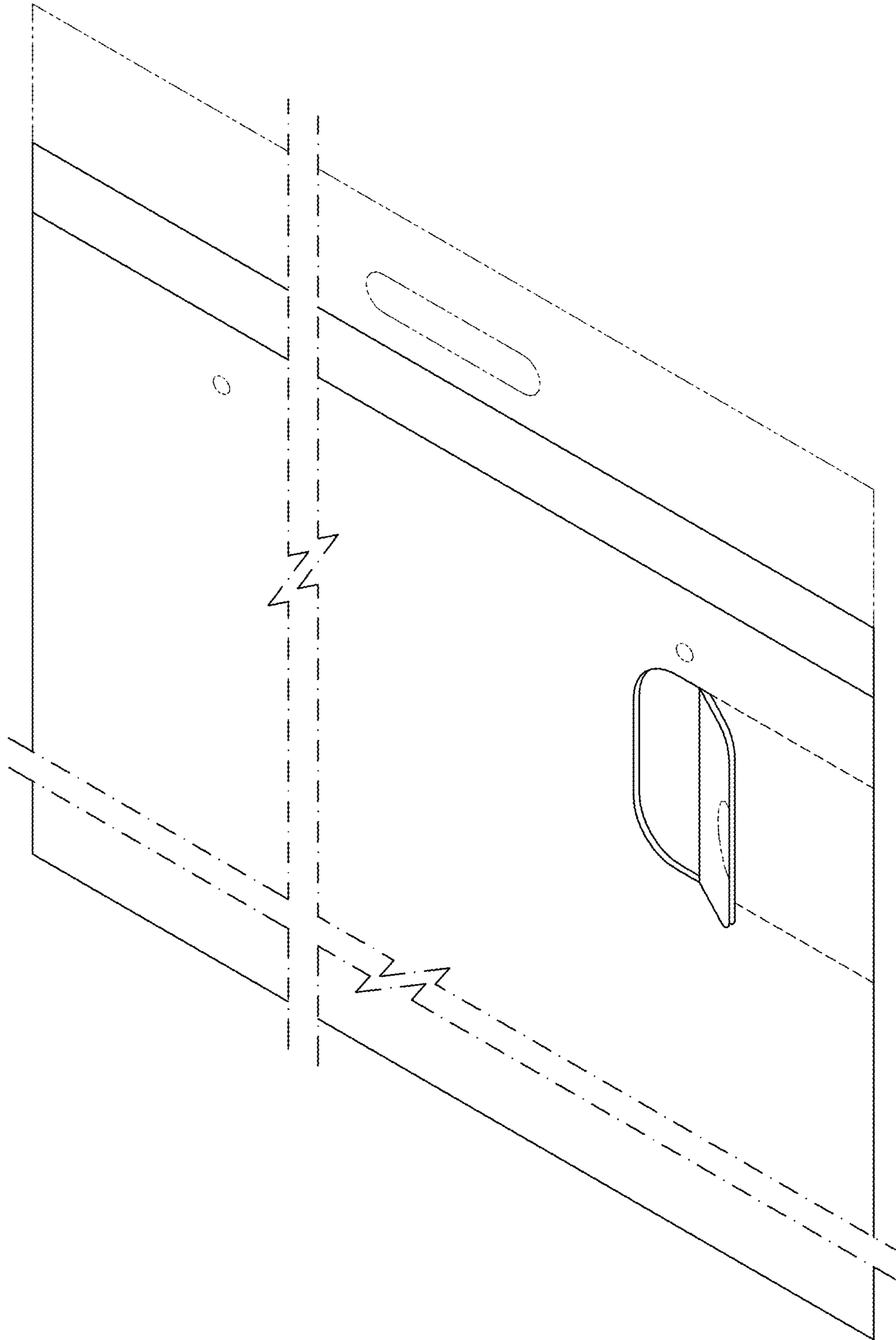


FIG. 6

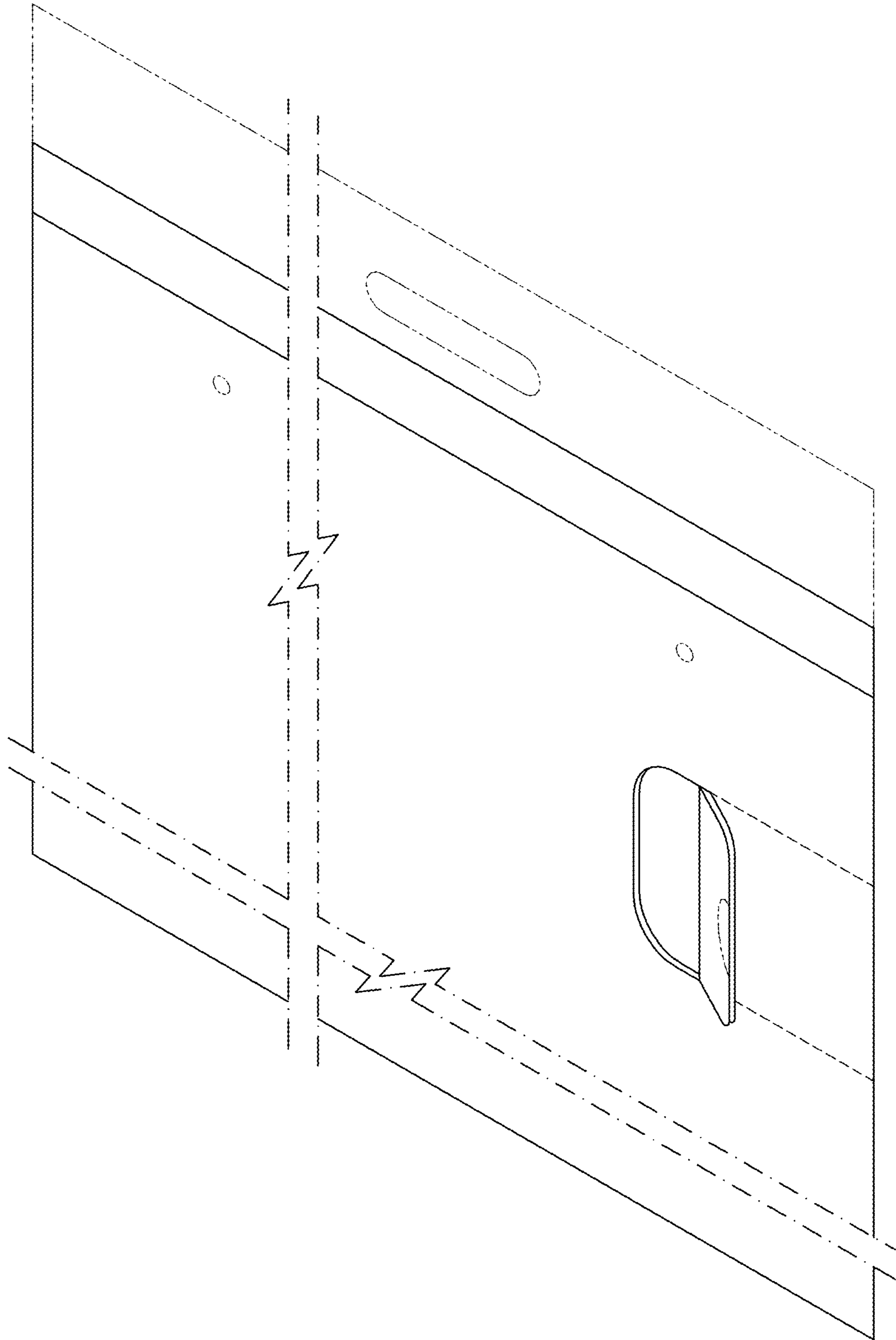


FIG. 7

