



US00D958667S

(12) **United States Design Patent**
Houdashell et al.

(10) **Patent No.:** **US D958,667 S**
(45) **Date of Patent:** **** Jul. 26, 2022**

- (54) **ORNAMENT DECORATING DEVICE**
- (71) Applicant: **Hey Buddy Hey Pal Investments LLC**, Amarillo, TX (US)
- (72) Inventors: **Gale Scott Houdashell**, Amarillo, TX (US); **Charles Curtis McGill**, Amarillo, TX (US)
- (73) Assignee: **Hey Buddy Hey Pal Investments LLC**, Amarillo, TX (US)

D272,103	S	*	1/1984	Richards	D9/635
4,566,592	A		1/1986	Klukos		
4,858,822	A		8/1989	Johnson et al.		
D346,960	S	*	5/1994	Bennett	D9/418
5,392,983	A		2/1995	Clarke-Bolling et al.		
D374,398	S	*	10/1996	Larson	D9/635
5,762,191	A		6/1998	Etzion et al.		
5,904,289	A		5/1999	Hagan		
D504,314	S	*	4/2005	Kim	D9/417
D504,771	S	*	5/2005	Boyd	D3/273
D642,213	S	*	7/2011	Glass	D19/108
D673,864	S		1/2013	Read et al.		

(Continued)

(**) Term: **15 Years**

(21) Appl. No.: **29/770,583**

(22) Filed: **Feb. 12, 2021**

(51) **LOC (13) Cl.** **09-01**

(52) **U.S. Cl.**
USPC **D9/635; D19/108**

(58) **Field of Classification Search**
 USPC D9/414-420, 421-431, 432-434, 442, D9/445, 456, 542, 563, 600, 614-624, D9/707, 708, 711, 737, 754, 759, D9/661-663, 635; D3/273, 276, 277, D3/280, 282, 283, 304, 309-313; D7/601, 602, 624.2, 709; D19/108
 CPC B65D 5/00; B65D 5/001; B65D 5/0027; B65D 5/0254; B65D 5/18; B65D 5/38; B65D 5/40; B65D 5/2033; B65D 5/48024; B65D 5/6605; B65D 1/22; B65D 1/24; B65D 1/34; B65D 5/02; B65D 75/20; B65B 5/06

See application file for complete search history.

(56) **References Cited**

U.S. PATENT DOCUMENTS

D35,512	S	*	12/1901	Goldsmith	D9/635
1,735,191	A	*	11/1929	Weisenberg	B65D 5/4262 229/125.22
D244,749	S	*	6/1977	Hodges	D9/635

OTHER PUBLICATIONS

Apricot Flower—Niger Bend Soapstone Trinket Decor Drawer Box. Online, published date unknown. Retrieved on Feb. 7, 2022 from URL: <https://thenigerbend.com/products/apricot-flower-drawer-box>.*

(Continued)

Primary Examiner — Omeed Agilee
(74) *Attorney, Agent, or Firm* — LaMorte & Associates P.C.

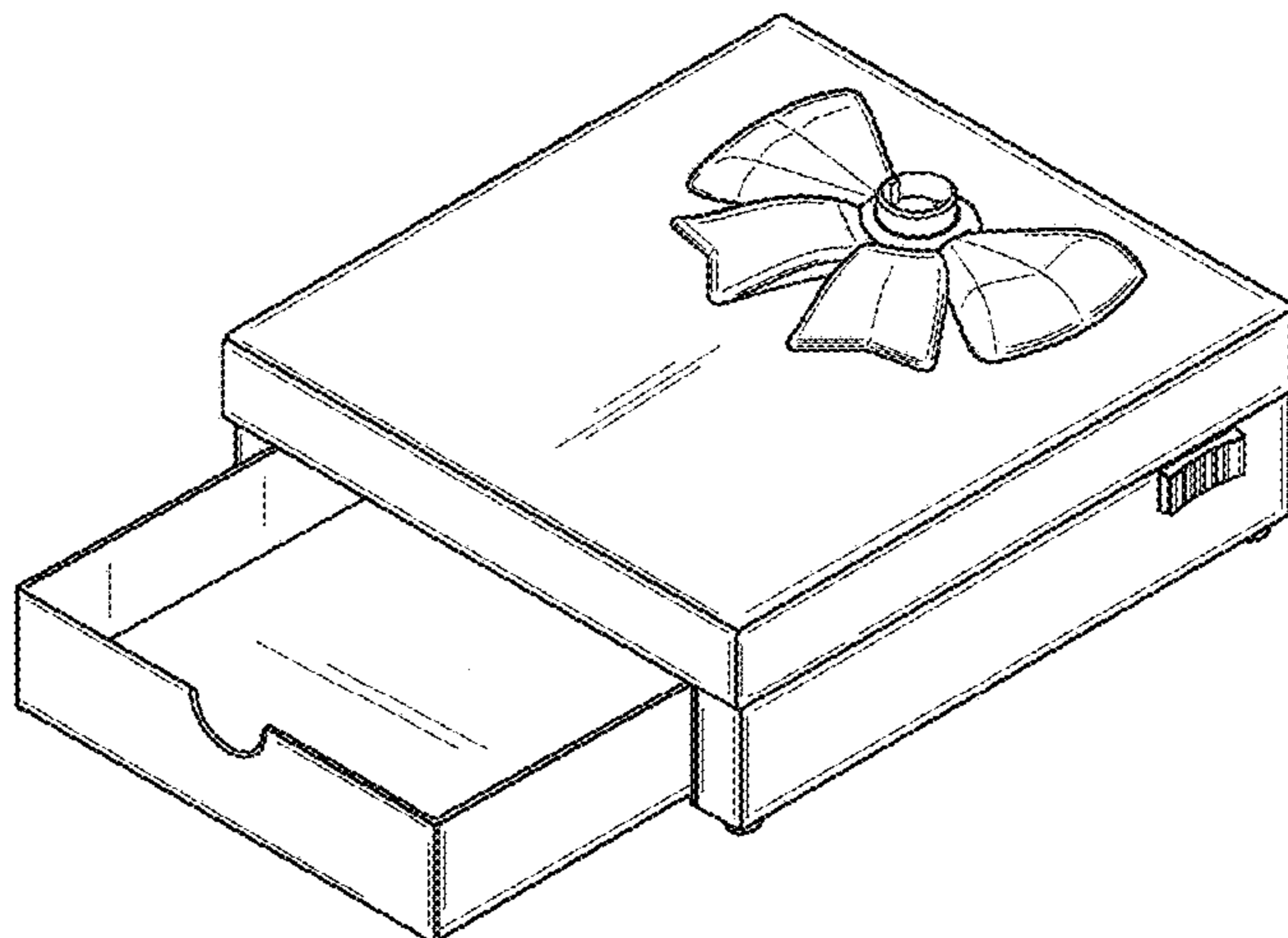
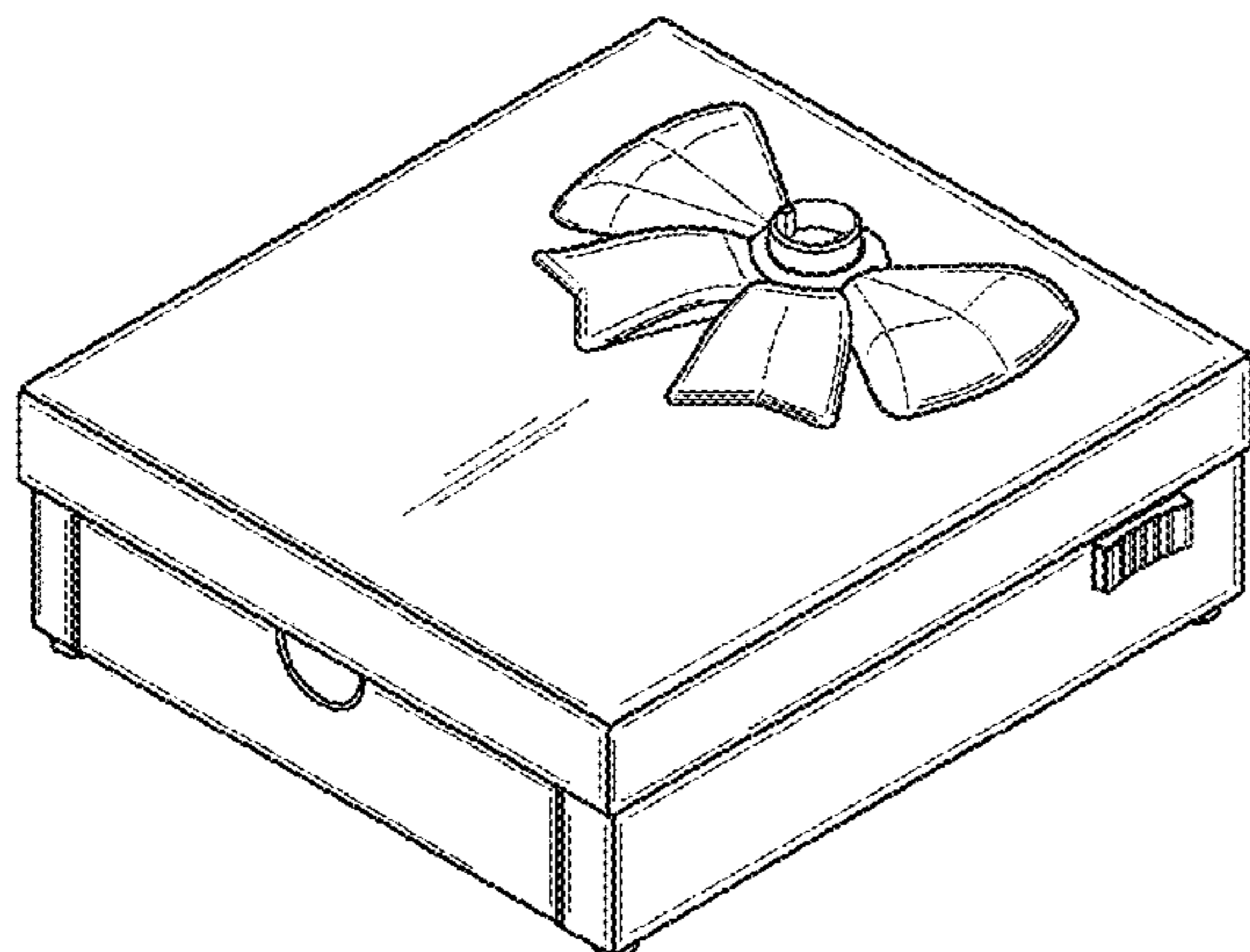
(57) **CLAIM**

The ornamental design for a ornament decorating device, as shown and described.

DESCRIPTION

FIG. 1 is a top view of a ornament decorating device;
 FIG. 2 is a bottom view thereof;
 FIG. 3 is a right-side view thereof;
 FIG. 4 is a left-side view thereof;
 FIG. 5 is a front view thereof;
 FIG. 6 is a rear view thereof;
 FIG. 7 is a perspective view thereof; and,
 FIG. 8 is a perspective view with an open drawer.
 The broken lines depict portions of the ornament decorating device that form no part of the claimed design.

1 Claim, 8 Drawing Sheets



(56)

References Cited

U.S. PATENT DOCUMENTS

8,783,546	B2	7/2014	Uyehara	
D730,742	S *	6/2015	Glass	D9/635
D747,190	S *	1/2016	DeLaGrange	D9/432
9,624,014	B2	4/2017	Marsh	
D809,381	S *	2/2018	DeLaGrange	D9/432
D860,256	S *	9/2019	Stephen	D9/635
2013/0186782	A1	7/2013	Doyle	
2014/0027500	A1*	1/2014	Thorn	B65D 5/4233 53/461

OTHER PUBLICATIONS

Peach Wooden Keepsake Box Painted with Flower, Wood Box with drawer, Personalized Wooden Keepsake Box for women, Best Gift for Wife. Online, published date unknown. Retrieved on Feb. 7, 2022 from URL: https://www.etsy.com/listing/1062584371/peach-wooden-keepsake-box-painted-with?click_key=6826b5b217cfdd7977ecd165e5c.*

The Gift Box Ornament Decorator by Treemendous—Includes Christmas Tree DIY Ornament Decorating Spinner Arts and Crafts Kit and 8 Colorful Quick Drying Markers . Online, published date Sep. 8, 2021. Retrieved on Feb. 7, 2022 from URL: <https://www.amazon.com/Gift-Box-Ornament-Decorator-Treemendous/dp/B09FQBD2D2/ref=as>.*

* cited by examiner

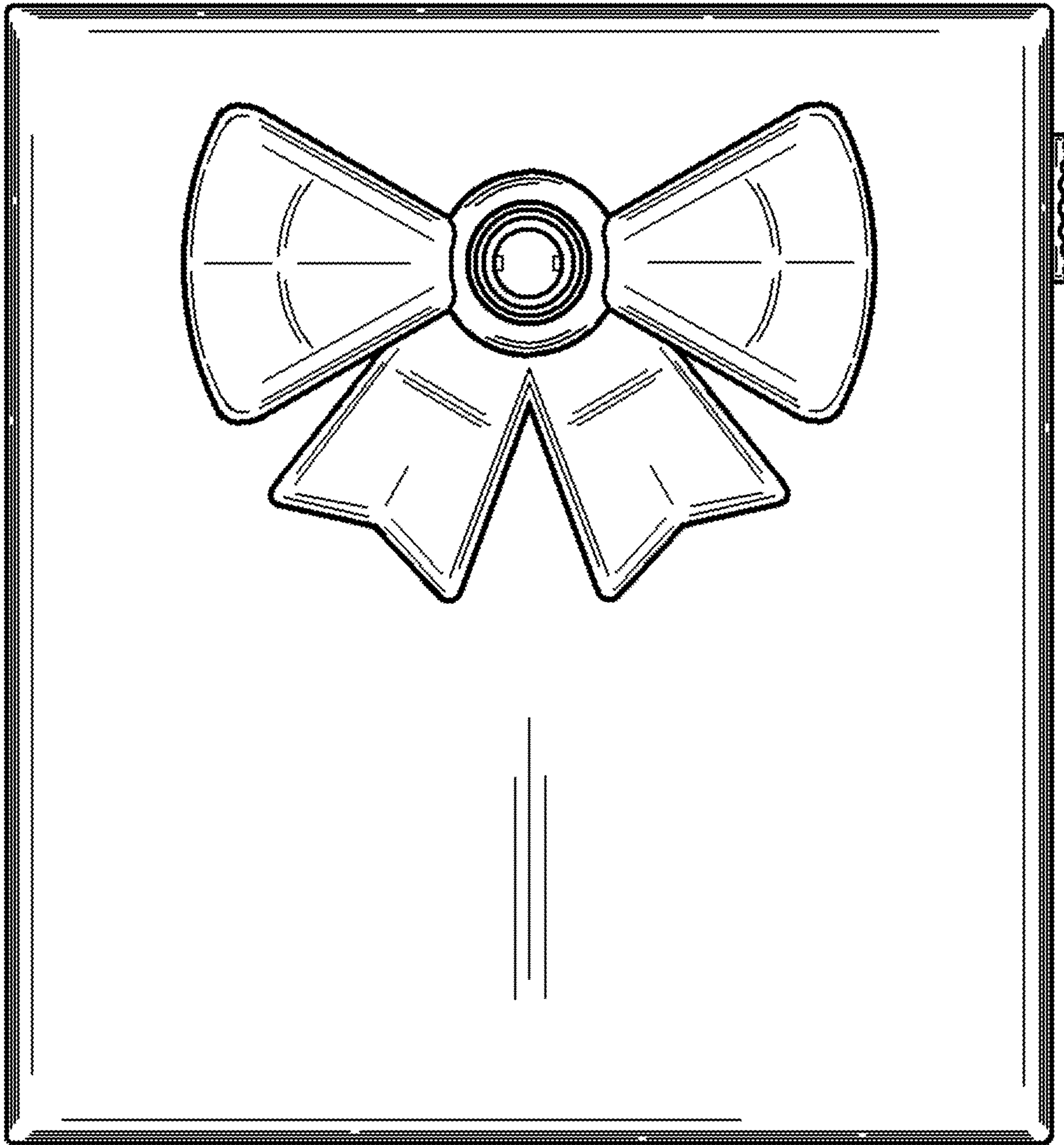


FIG. 1

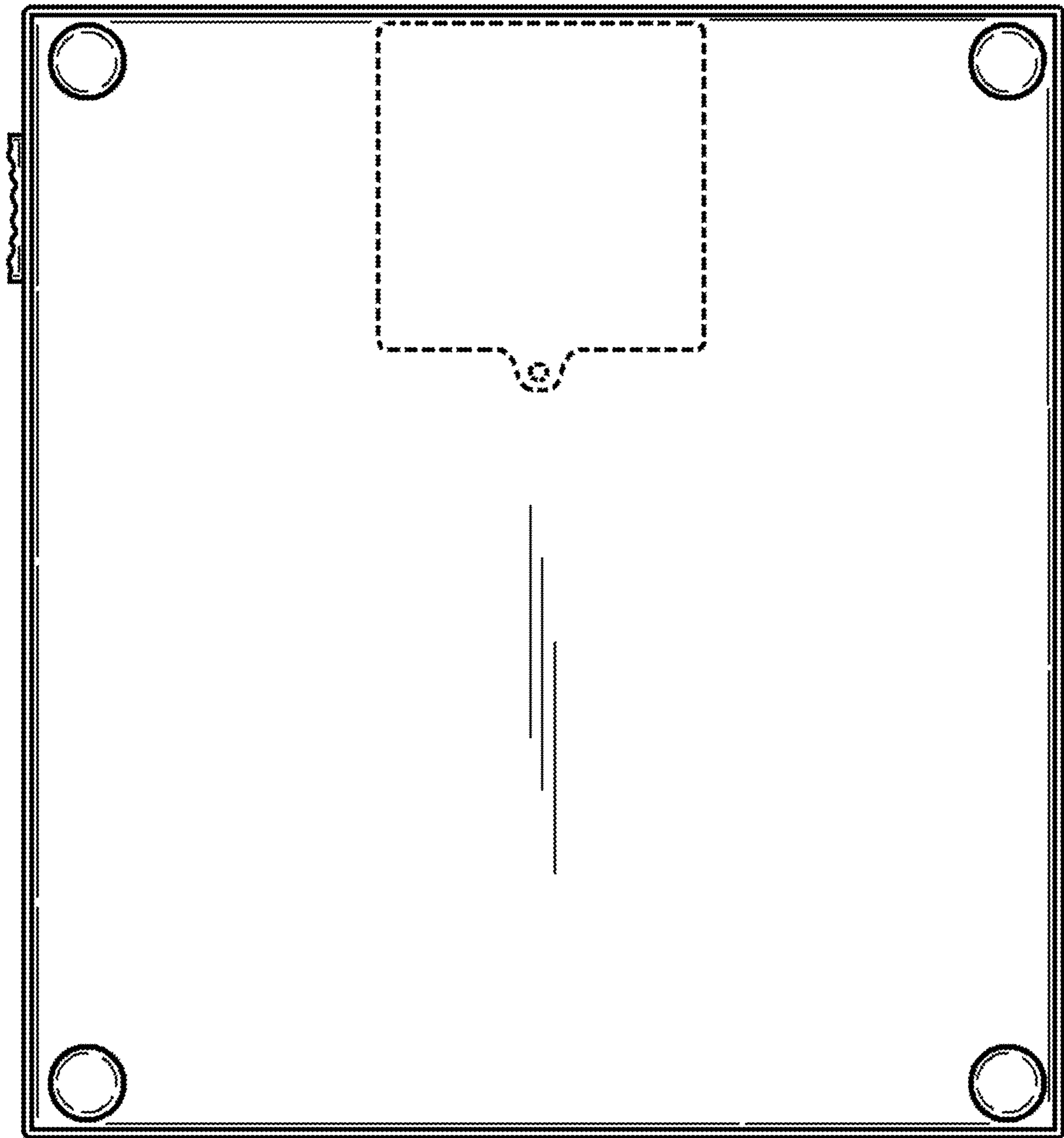


FIG. 2

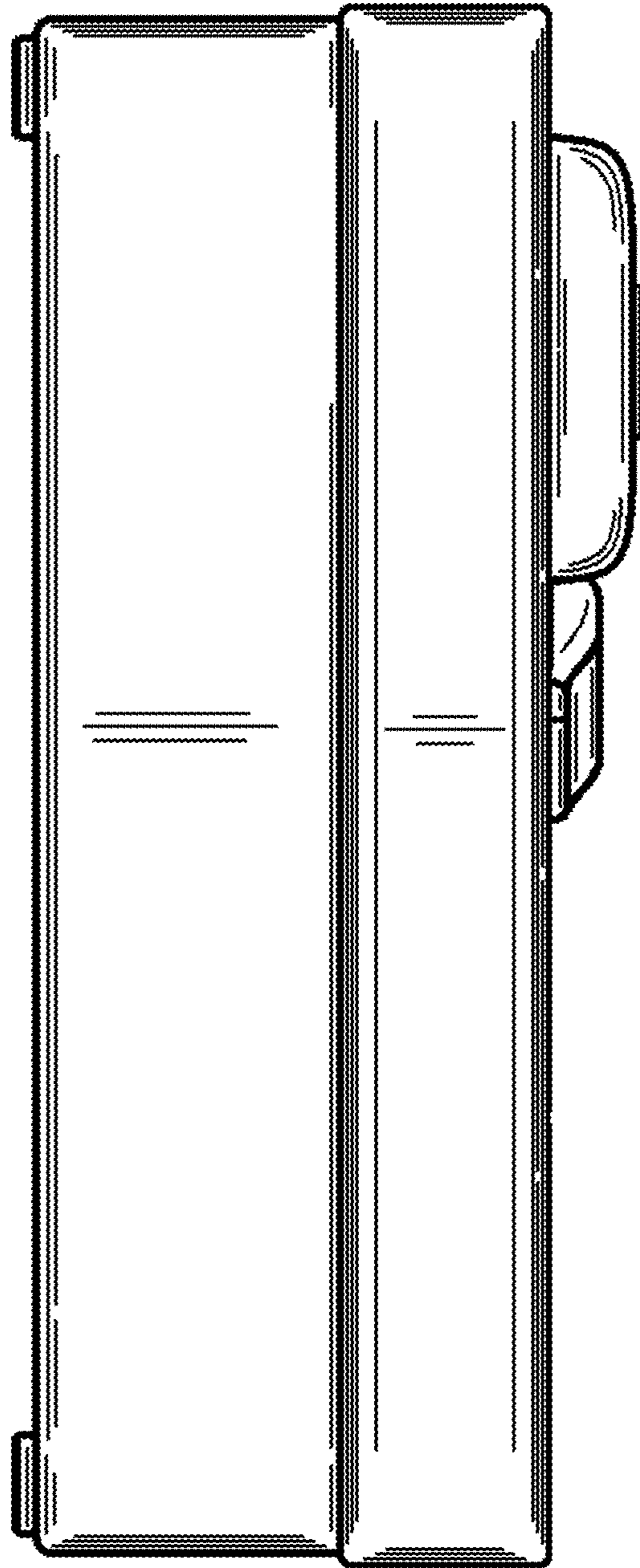


FIG. 3

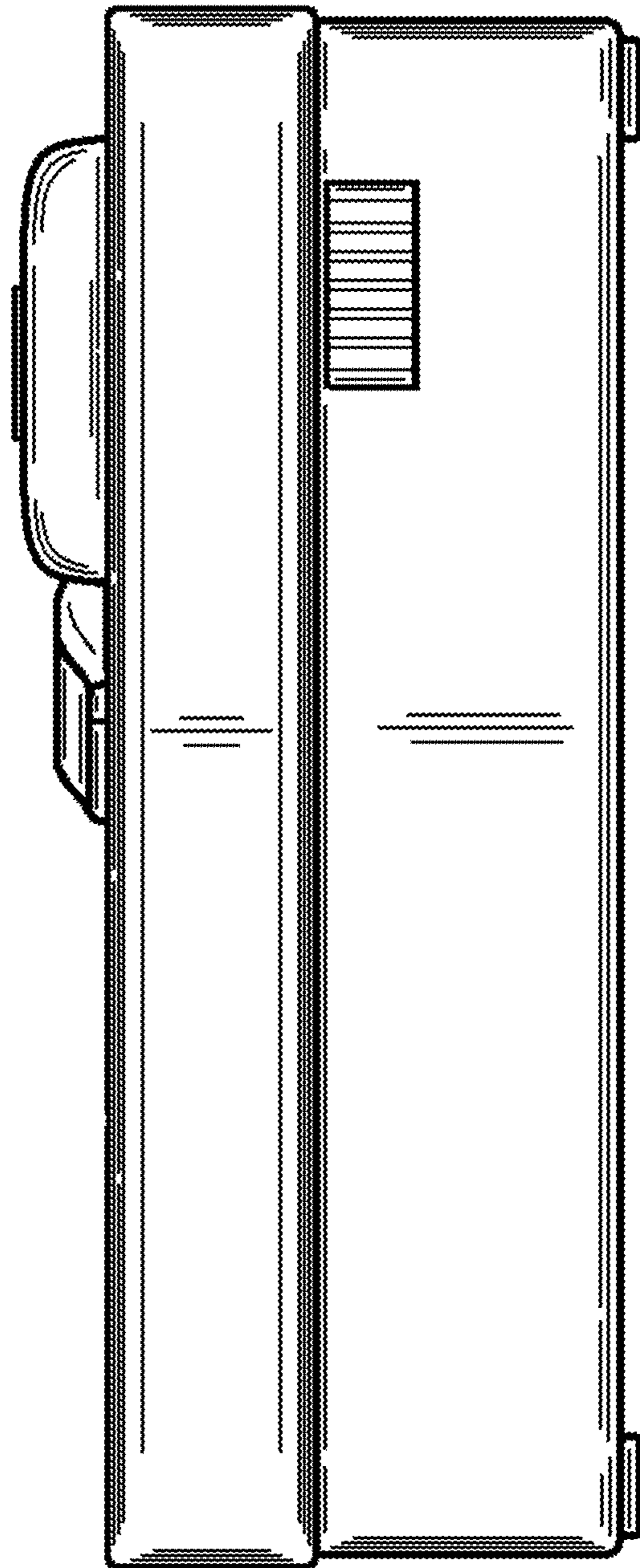


FIG. 4

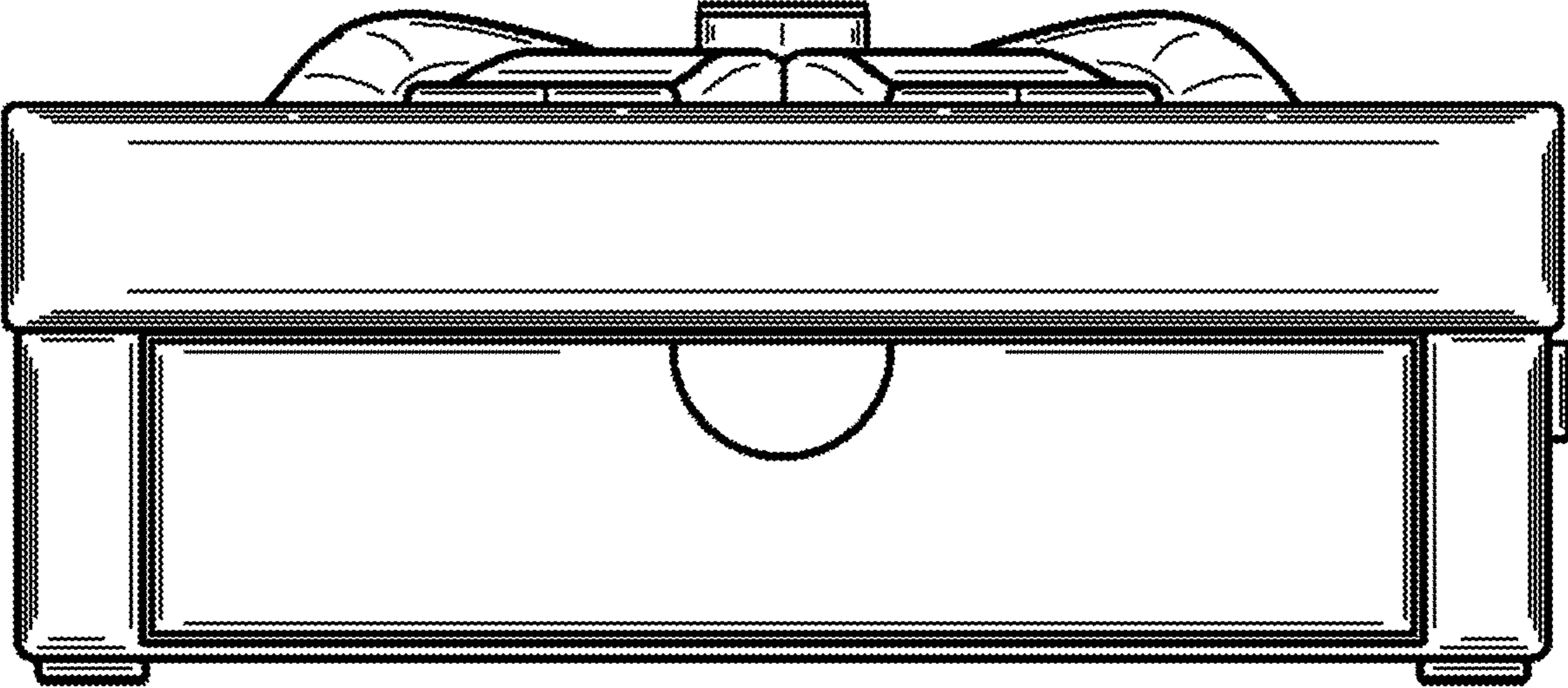


FIG. 5

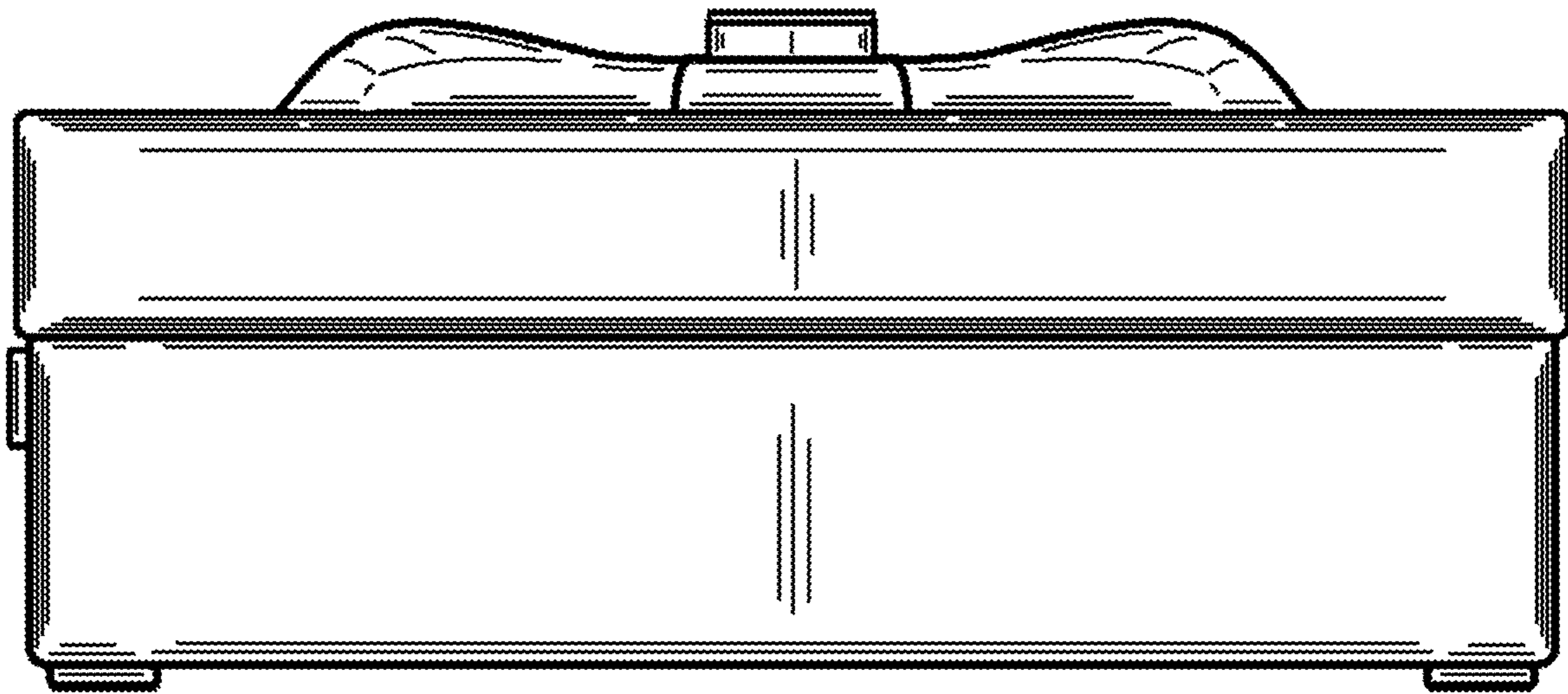


FIG. 6

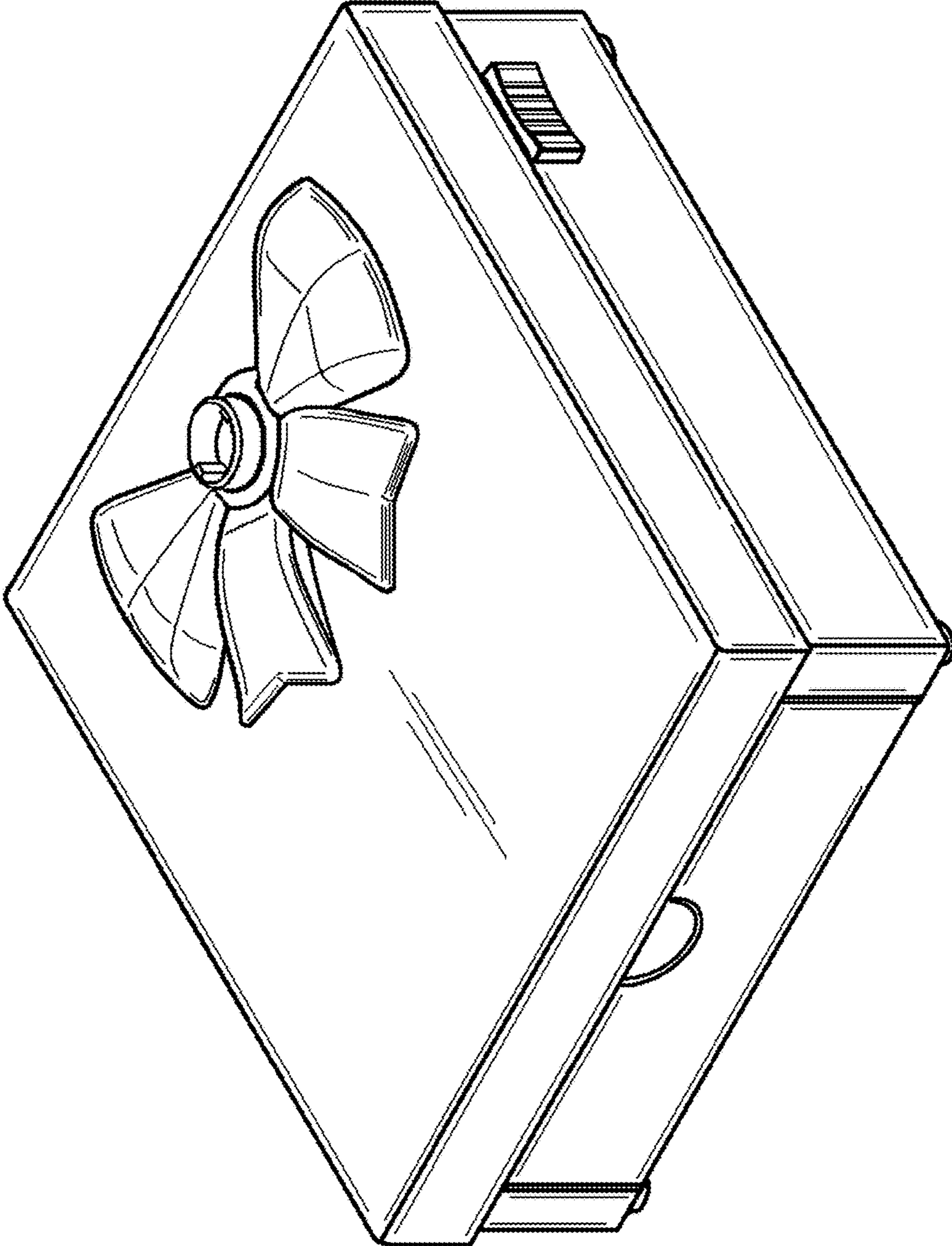


FIG. 7

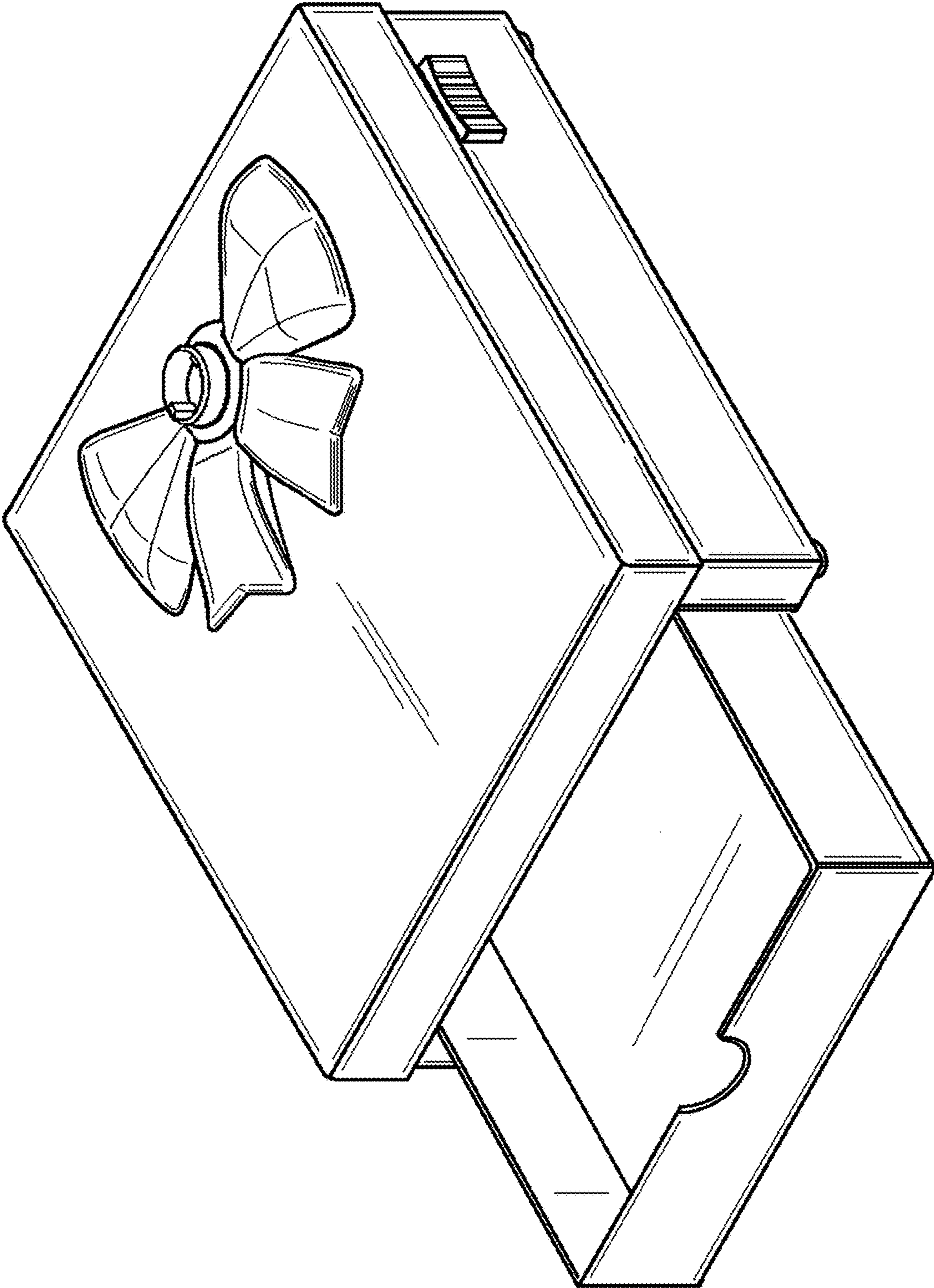


FIG. 8