



US00D958666S

(12) **United States Design Patent** (10) **Patent No.:** **US D958,666 S**  
**Delgado Carmona** (45) **Date of Patent:** **\*\* Jul. 26, 2022**

- (54) **BOTTLE WITH MERMAID SHAPE**
- (71) Applicant: **Dart Industries Inc.**, Orlando, FL (US)
- (72) Inventor: **Sara L. Delgado Carmona**, Orlando, FL (US)
- (73) Assignee: **Dart Industries Inc.**, Orlando, FL (US)
- (\*\*) Term: **15 Years**
- (21) Appl. No.: **29/730,985**
- (22) Filed: **Apr. 10, 2020**
- (51) **LOC (13) Cl.** ..... **09-01**
- (52) **U.S. Cl.**  
USPC ..... **D9/621; D9/614; D9/669**
- (58) **Field of Classification Search**  
USPC ..... D3/270, 271.1-271.4; D7/514-520, 599, D7/604, 613, 619.2, 623, 628; D9/499, D9/544, 554, 567, 600-601, 605-613, D9/614-623; D21/655  
CPC ..... B65D 81/36; B65D 81/60; B65D 81/365; B65D 81/366; B65D 81/368; B65D 2203/00; B65D 2203/02; B65D 23/00; B65D 67/00; B65D 77/00; B65D 5/42; B65D 5/4208  
See application file for complete search history.

D809,876 S \* 2/2018 Delgado Carmona ..... D9/628  
D866,339 S \* 11/2019 Delgado Carmona ..... D9/617  
D946,414 S \* 3/2022 Delgado Carmona ..... D9/607

**OTHER PUBLICATIONS**

Tupperware Nordic EcoPure2 Buffalo Facebook [Online] 3 pgs. Published on Jan. 12, 2021. Retrieved Apr. 2, 2022 from URL: <https://m.facebook.com/TupperwareNordic/videos/ecopure2-buffalo/1066505130482818/> (Year: 2021).\*

Sweet Little Mermaid Gin Master of Malt [Online] 8 pgs. Published on Jan. 24, 2020. Retrieved Apr. 20, 2022 from URL: <https://www.masterofmalt.com/gin/sweet-little-drinks/sweet-little-mermaid-gin/> (Year: 2020).\*

29730985\_OrbitForeignRefs. Design © Questel orbit.com. [Online PDF compilation of references] 7 pgs. Retrieved Apr. 6, 2022 from URL: <C:\Users\alongoria\Documents\EAST\Workspaces\2022 cases\FY202207\NPLs\29730985\_OrbitForeignRefs.pdf> (Year: 2022).\*

\* cited by examiner

*Primary Examiner* — Vy N Koenig  
*Assistant Examiner* — Anastasia Longoria  
(74) *Attorney, Agent, or Firm* — Taylor J. Ross

(57) **CLAIM**

The ornamental design for a bottle with mermaid shape, as shown and described.

**DESCRIPTION**

FIG. 1 is a top, front and left side isometric view of a bottle with mermaid shape showing my new design;  
FIG. 2 is a bottom, left and rear isometric view thereof;  
FIG. 3 is a top plan view thereof;  
FIG. 4 is a bottom plan view thereof;  
FIG. 5 is a front elevation view thereof;  
FIG. 6 is a rear elevation view thereof;  
FIG. 7 is a left side elevation view thereof;  
FIG. 8 is a right side elevation view thereof; and,  
FIG. 9 is a cross-sectional view taken along line 9-9 of FIG. 3.

**1 Claim, 8 Drawing Sheets**

(56) **References Cited**

U.S. PATENT DOCUMENTS

- D174,541 S \* 4/1955 Gavin ..... D21/627
- D320,736 S \* 10/1991 Combes ..... D9/621
- D358,301 S \* 5/1995 Brown ..... D7/516
- D433,337 S \* 11/2000 Cautereels ..... D9/539
- D712,272 S \* 9/2014 Veletakos ..... D9/607
- D713,261 S \* 9/2014 Delgado Carmona ..... D9/604
- D726,023 S \* 4/2015 Jouin ..... D9/605
- D766,094 S \* 9/2016 Delgado Carmona ..... D9/607
- D766,729 S \* 9/2016 Delgado Carmona ..... D9/602
- D766,730 S \* 9/2016 Delgado Carmona ..... D9/608

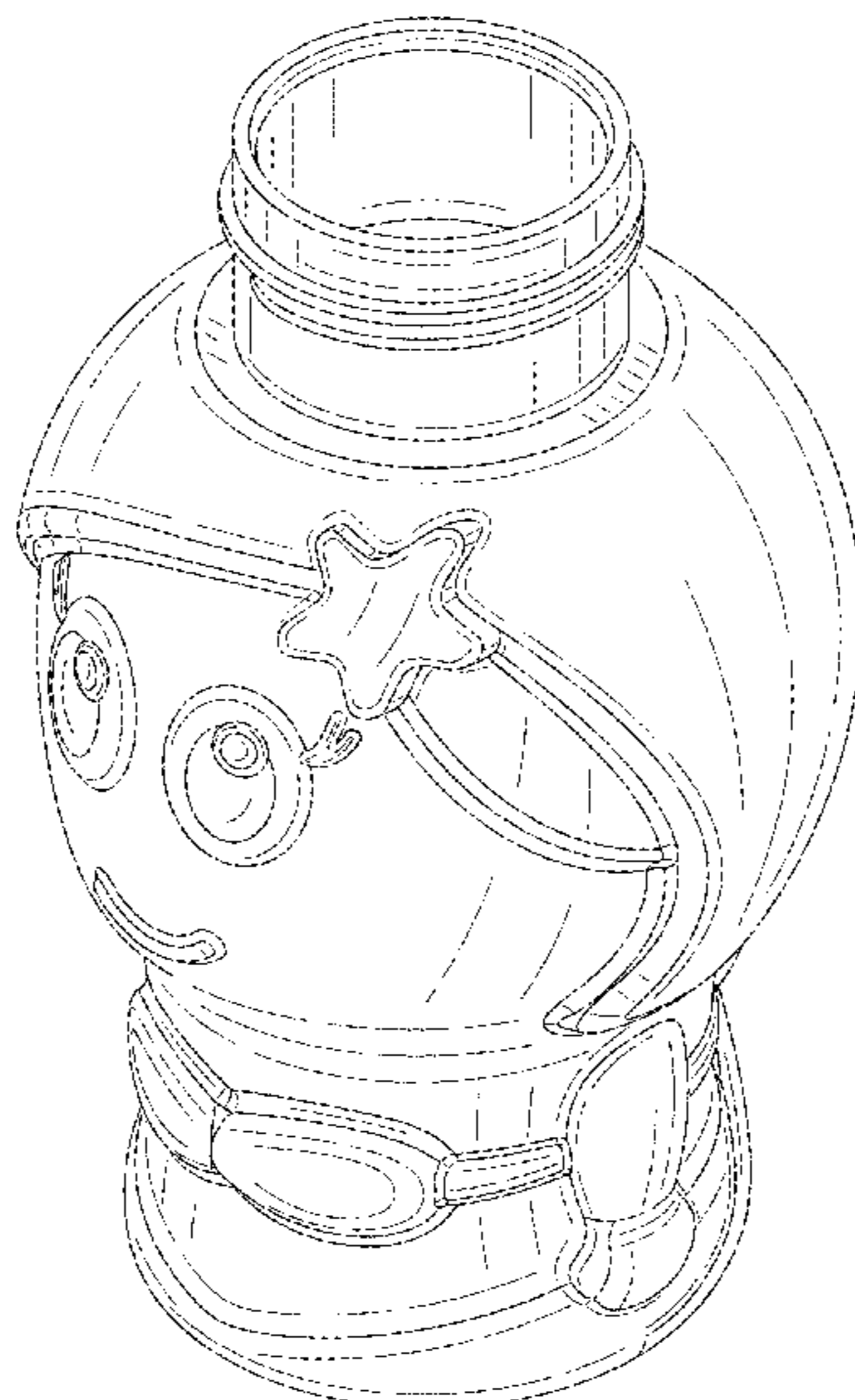


FIG. 1

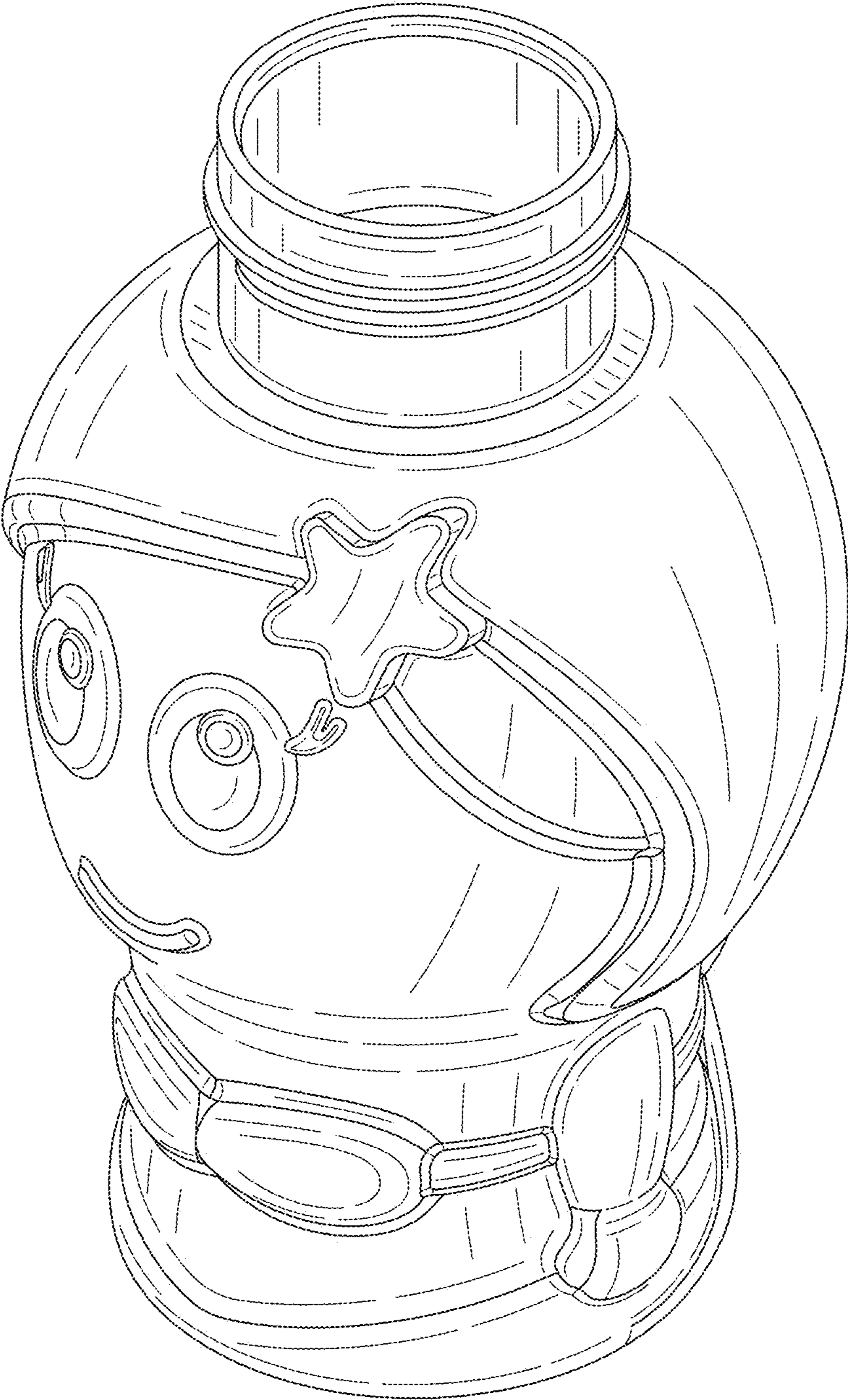




FIG. 2



FIG. 3

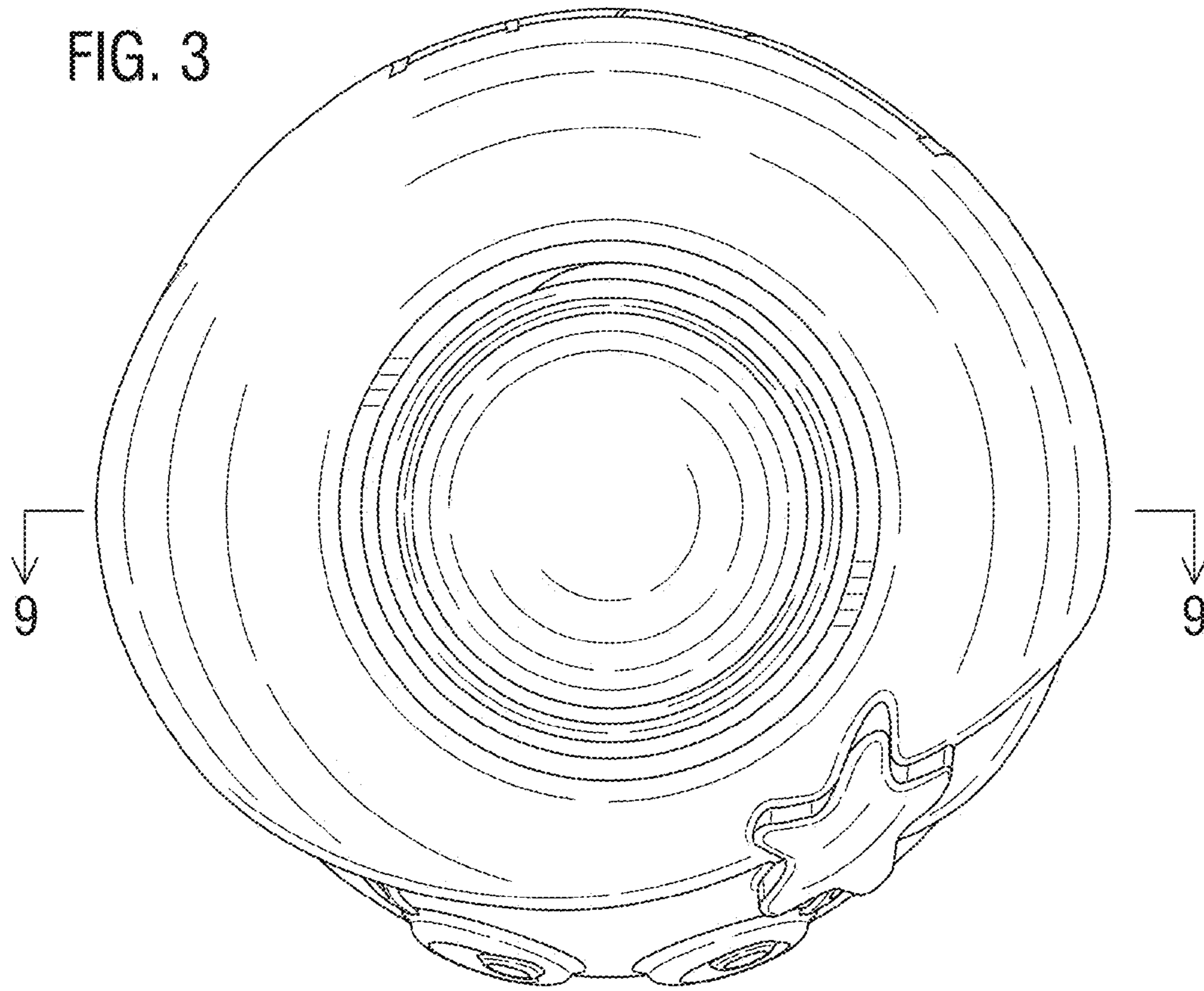


FIG. 4

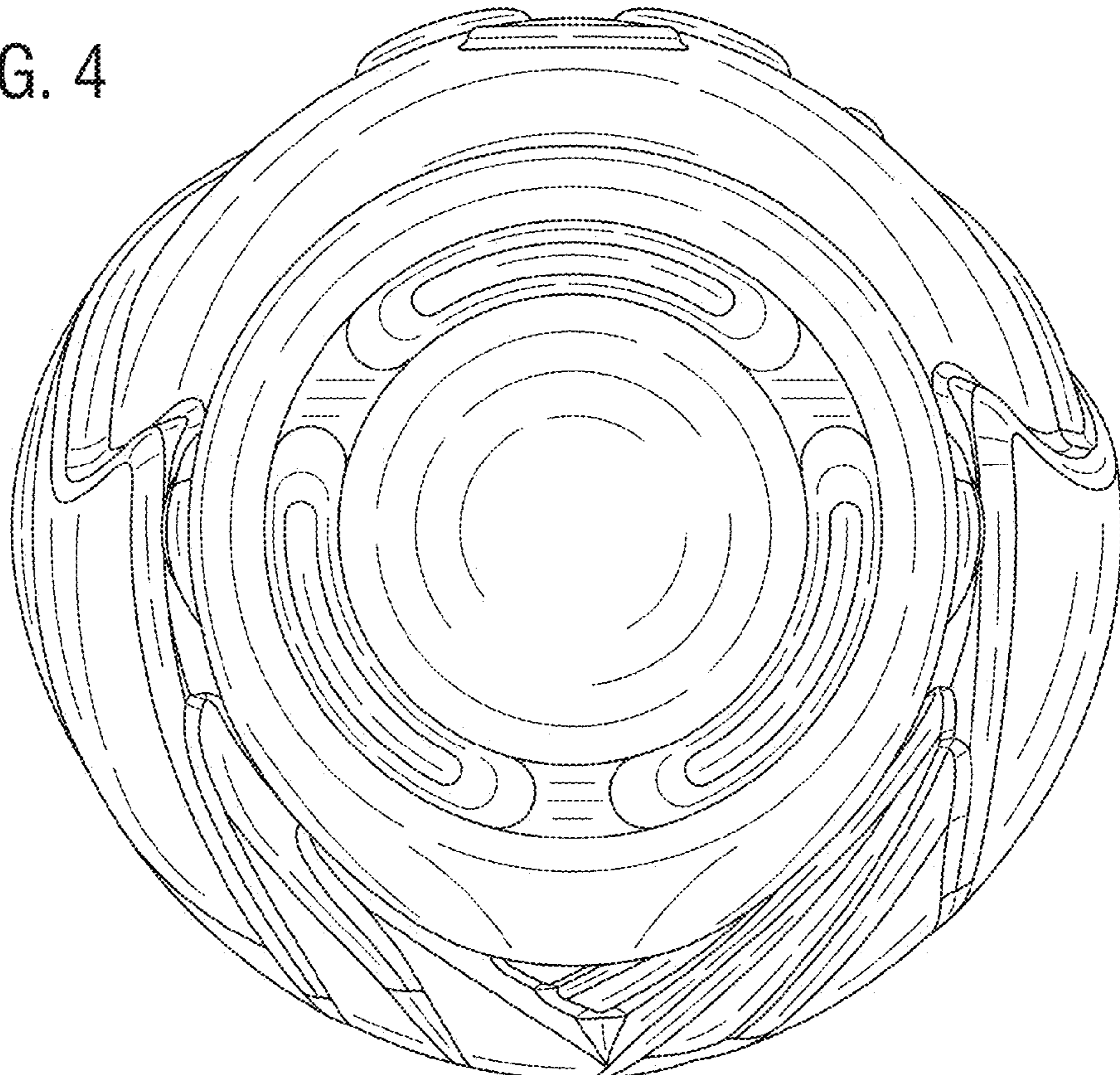




FIG. 5

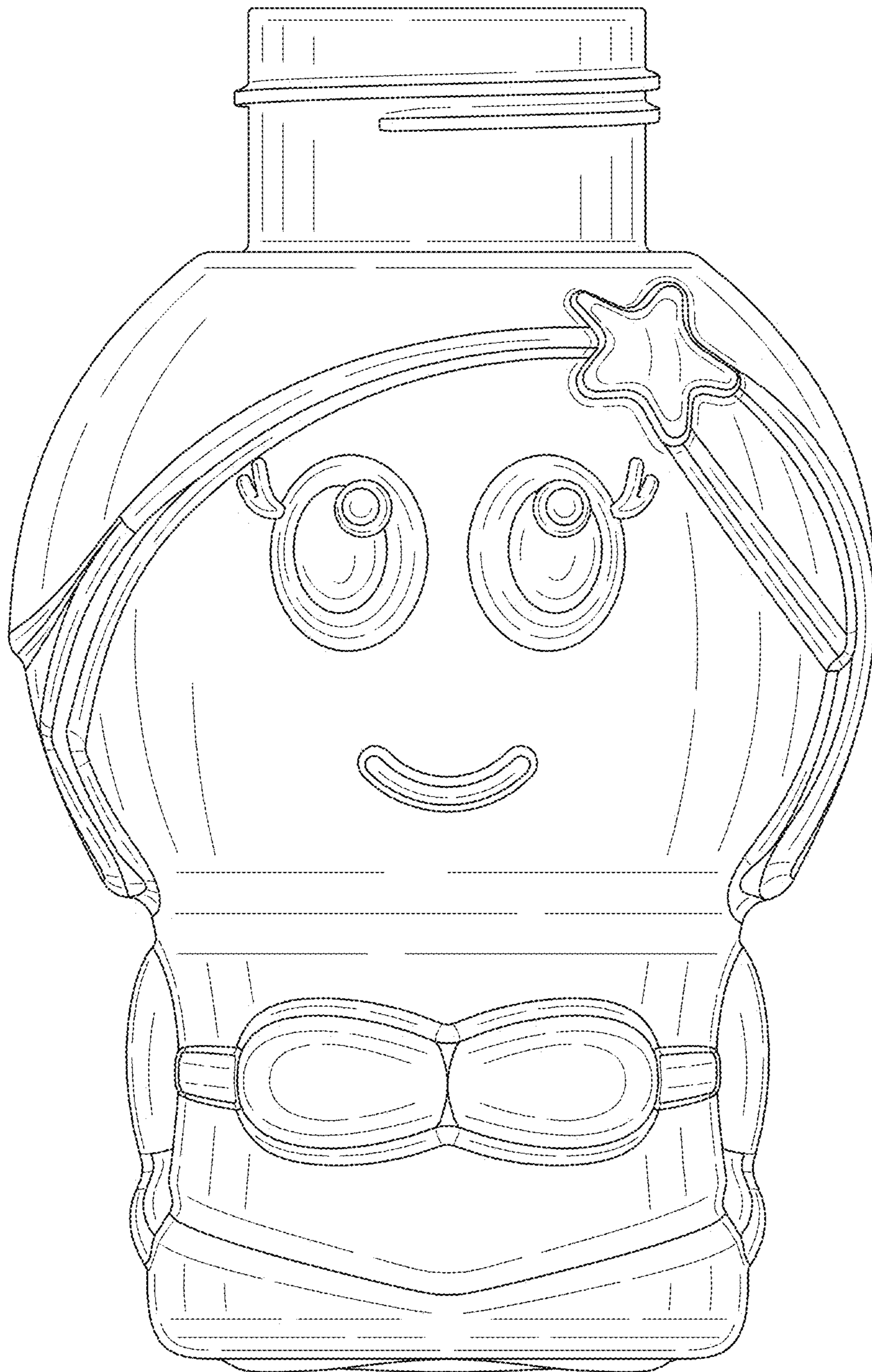


FIG. 6

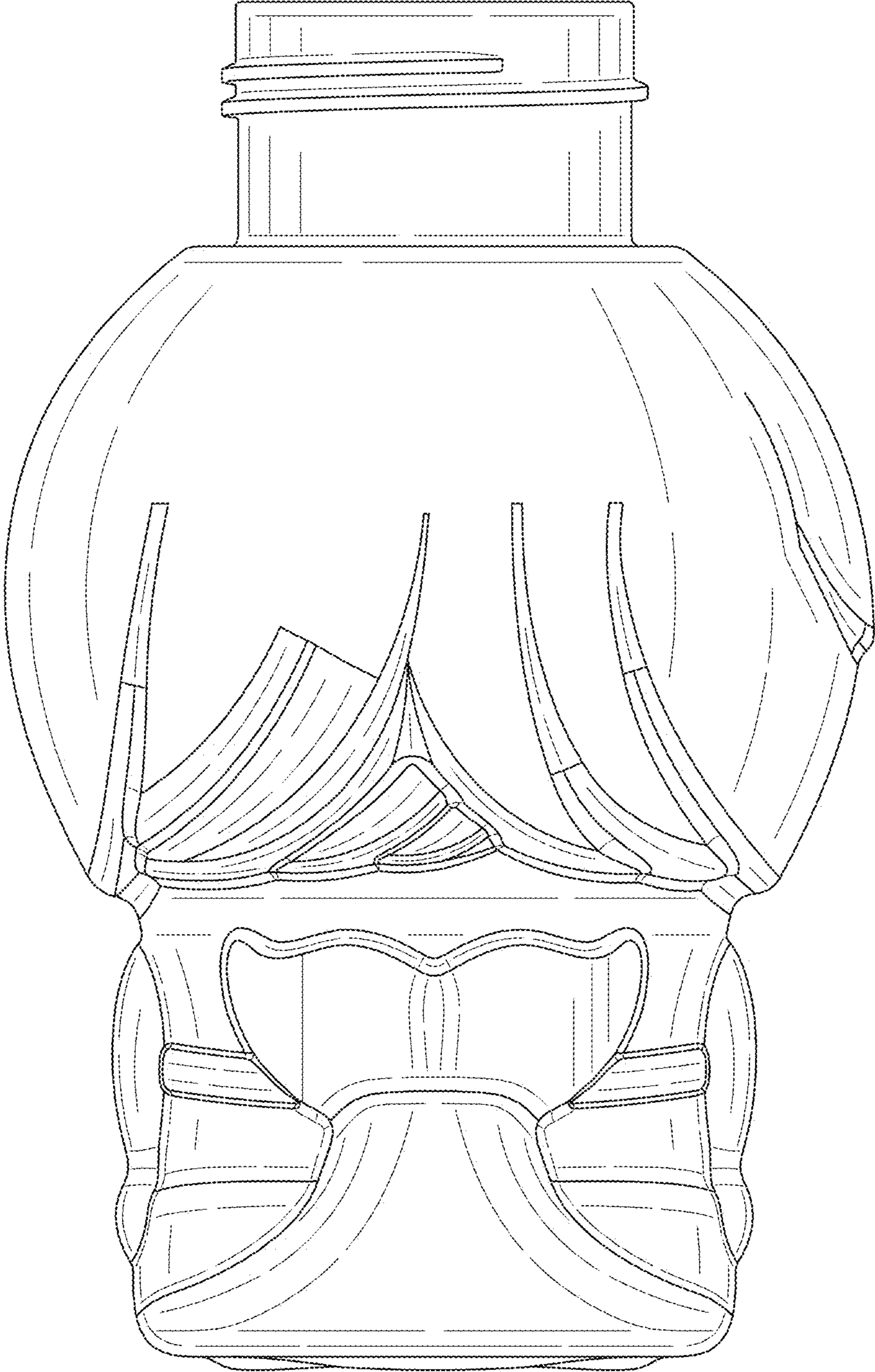


FIG. 7

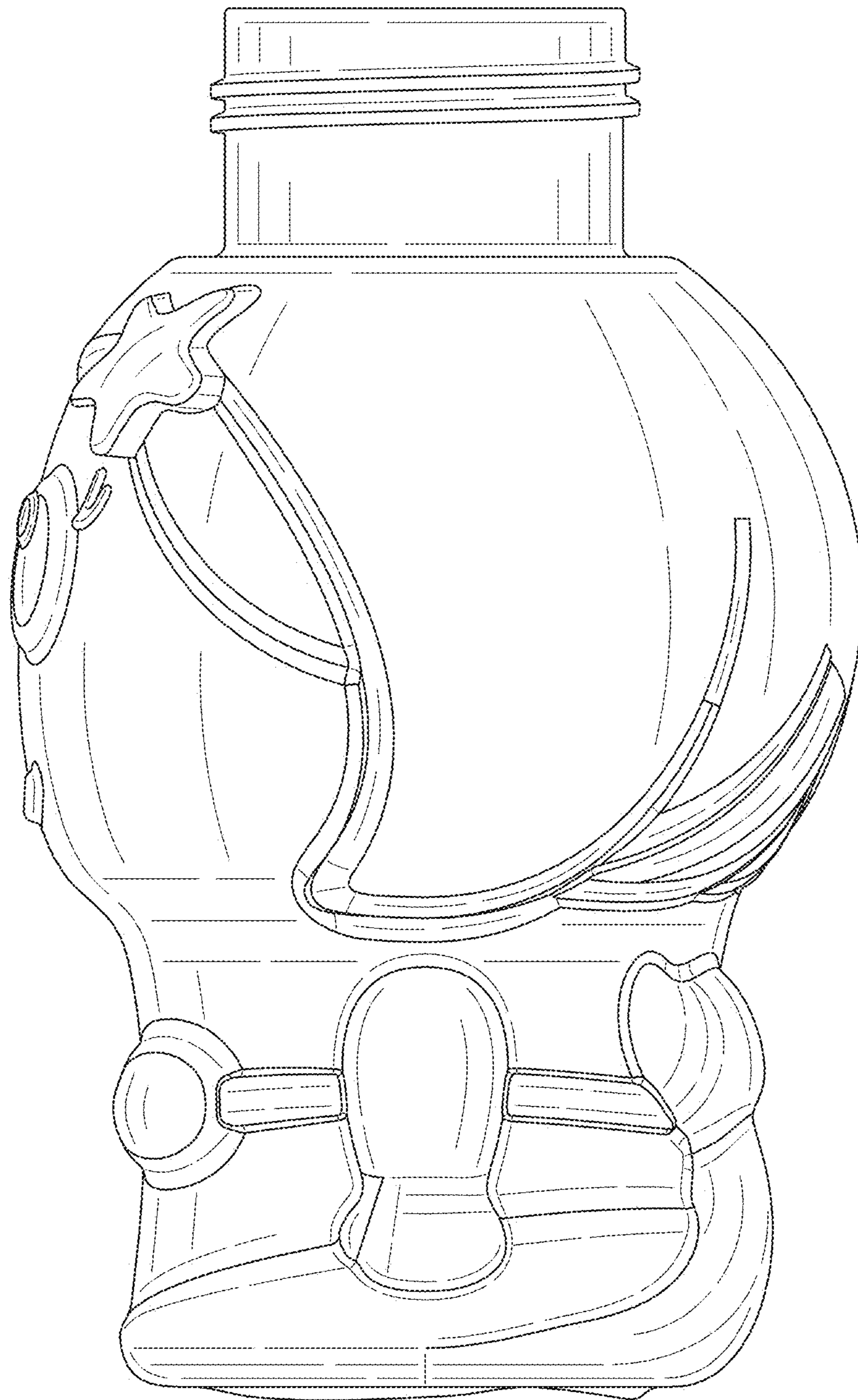




FIG. 8

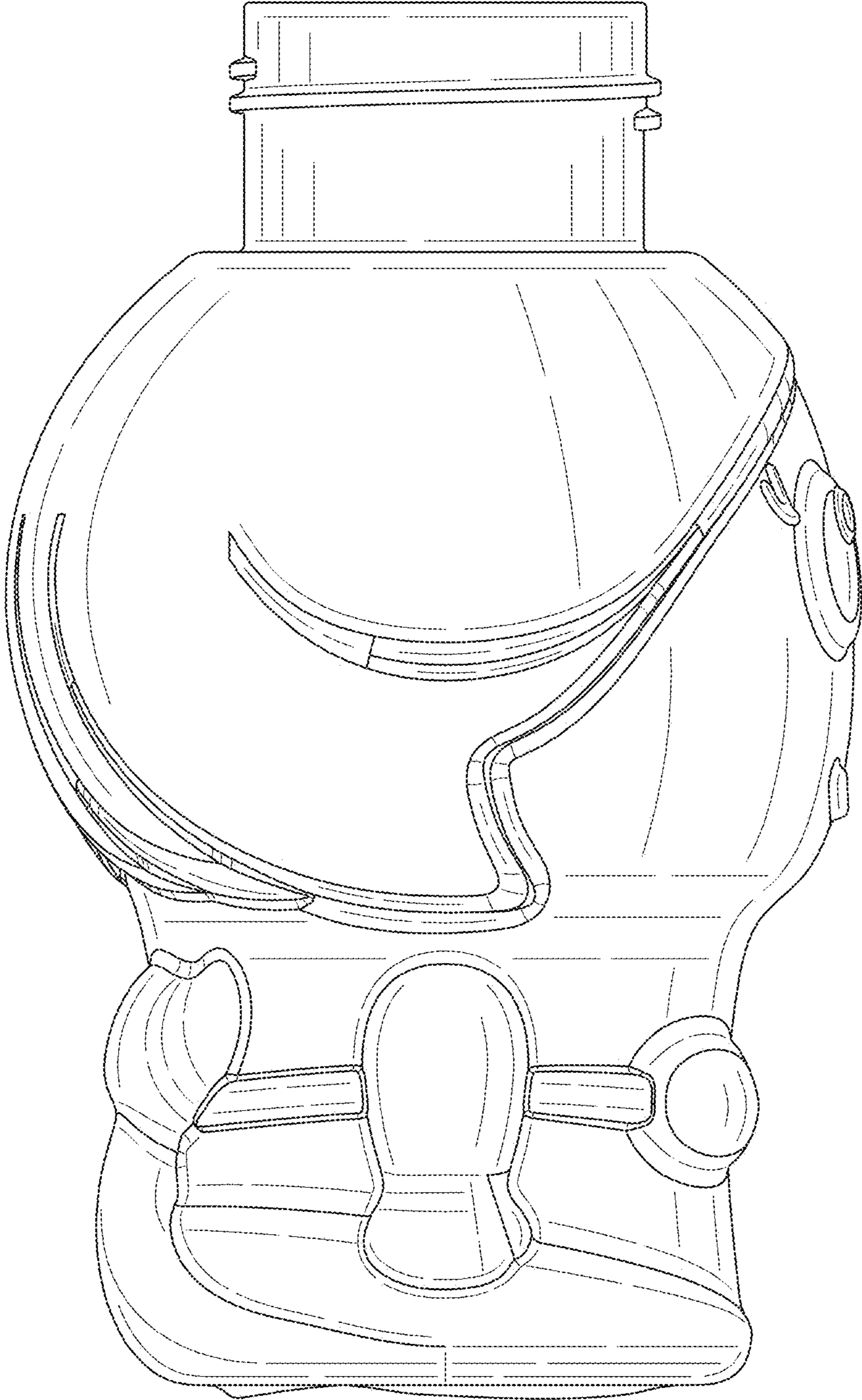




FIG. 9

