



US00D958665S

(12) **United States Design Patent** (10) **Patent No.:** **US D958,665 S**  
**Bogert et al.** (45) **Date of Patent:** **\*\* Jul. 26, 2022**

(54) **BOTTLE**  
(71) Applicant: **Bath & Body Works Brand Management, Inc.**, Reynoldsburg, OH (US)  
(72) Inventors: **Elizabeth Bogert**, New Albany, OH (US); **Andrew Michael Lanza**, Wappingers Falls, NY (US)  
(73) Assignee: **Bath & Body Works Brand Management, Inc.**, Reynoldsburg, OH (US)

D206,960 S \* 2/1967 Weskman ..... D9/553  
D238,930 S \* 2/1976 Dadmum ..... D9/555  
D249,919 S \* 10/1978 Thrush ..... D7/530  
D289,718 S \* 5/1987 Durand ..... D7/530  
D297,089 S \* 8/1988 West ..... D7/523  
D300,100 S \* 3/1989 Durand ..... D7/530  
D411,740 S \* 6/1999 Kim ..... D9/553  
D448,677 S \* 10/2001 Krich ..... D9/555  
D468,646 S \* 1/2003 Joubert ..... D9/565  
D515,871 S \* 2/2006 Rocha ..... D7/523  
D544,363 S \* 6/2007 Hendricks ..... D9/555  
D578,395 S 10/2008 Kuzma et al.

(Continued)

**FOREIGN PATENT DOCUMENTS**

(\*\*) Term: **15 Years**

CN 304367395 \* 11/2017  
CN 305315459 \* 8/2019  
EM 001945510-0001 \* 3/2013

(21) Appl. No.: **29/734,233**

(22) Filed: **May 11, 2020**

*Primary Examiner* — Brett Miller

*Assistant Examiner* — Rani J Abdallah

(30) **Foreign Application Priority Data**

Nov. 14, 2019 (CN) ..... 201930627792.9

(74) *Attorney, Agent, or Firm* — Andrus Intellectual Property Law, LLP

(51) **LOC (13) Cl.** ..... **09-01**

(57) **CLAIM**

The ornamental design for a bottle, as shown and described.

(52) **U.S. Cl.**  
USPC ..... **D9/568**; D9/573

**DESCRIPTION**

(58) **Field of Classification Search**  
USPC ..... D9/516, 530, 536, 537, 539–541, 543, D9/549–558, 563–568, 573–575; D7/523, 530  
CPC ..... B65D 1/0223; B65D 1/02  
See application file for complete search history.

FIG. 1 is a perspective view of a bottle according to our new and ornamental design;  
FIG. 2 is a front elevation view thereof;  
FIG. 3 is a rear elevation view thereof;  
FIG. 4 is a left side elevation view thereof;  
FIG. 5 is a right side elevation view thereof;  
FIG. 6 is a top plan view thereof; and,  
FIG. 7 is a bottom plan view thereof.

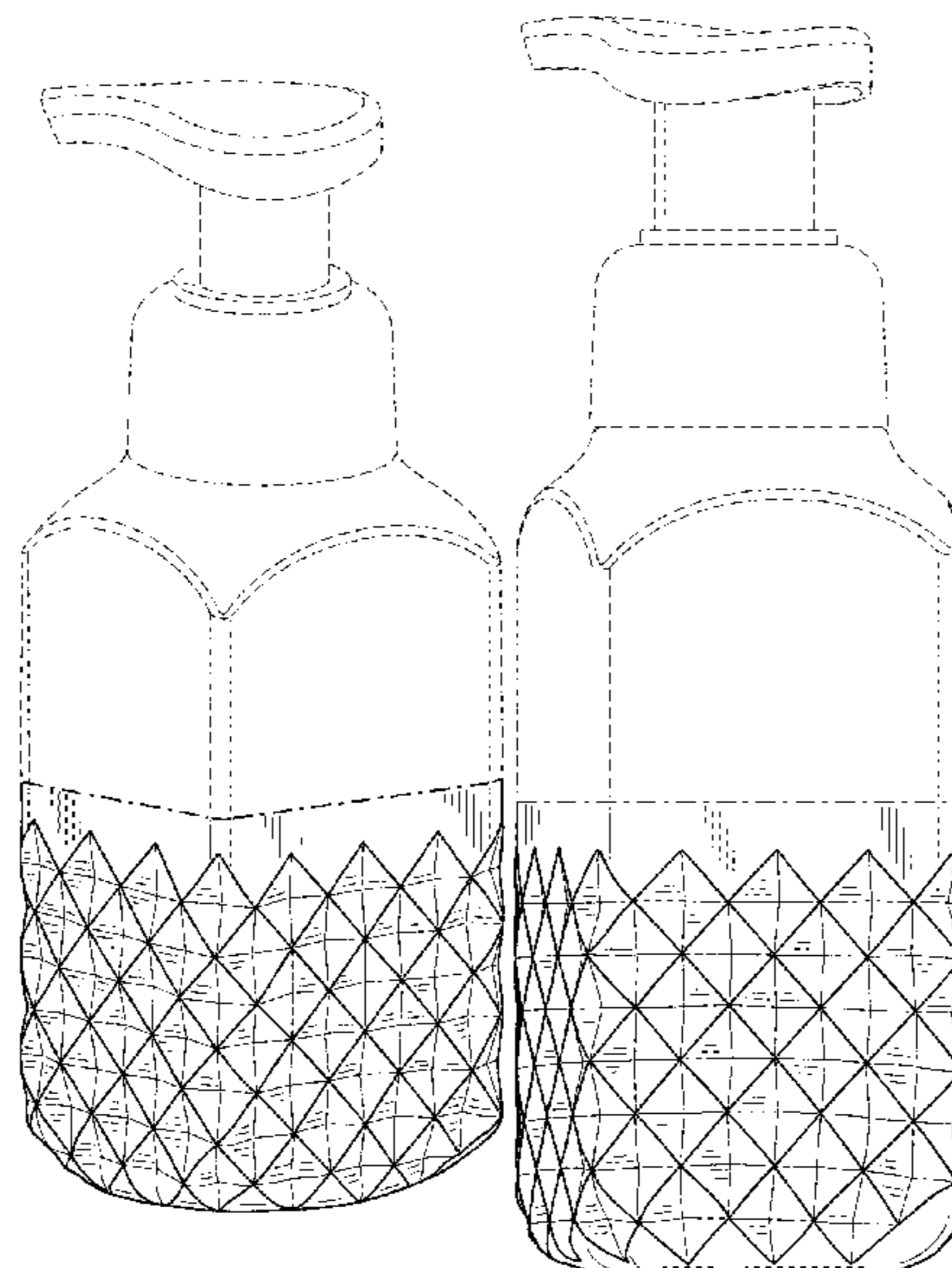
The dash-dot broken lines show the boundaries of the claimed design and form no part of the claim. The evenly dashed broken lines show portions of the bottle that form no part of the claim.

(56) **References Cited**

**U.S. PATENT DOCUMENTS**

D64,816 S \* 6/1924 Sears ..... D9/550  
D85,152 S \* 9/1931 Betty ..... D7/530  
D94,574 S \* 2/1935 Steeleman ..... D9/553  
D99,750 S \* 5/1936 Mackelfresh, Jr. .... D9/563  
D119,863 S \* 4/1940 Lundy ..... D7/530  
D178,529 S \* 8/1956 Lorenzen ..... D9/555

**1 Claim, 6 Drawing Sheets**



(56)

**References Cited**

U.S. PATENT DOCUMENTS

|              |         |                  |        |
|--------------|---------|------------------|--------|
| D615,411 S * | 5/2010  | Kuzma .....      | D9/575 |
| D623,532 S   | 9/2010  | Kuzma et al.     |        |
| D626,852 S * | 11/2010 | Kruetzkamp ..... | D9/555 |
| D716,665 S   | 11/2014 | O'Donahue et al. |        |
| D723,381 S   | 3/2015  | O'Donahue        |        |
| D730,738 S * | 6/2015  | O'Donahue .....  | D9/573 |
| D815,910 S * | 4/2018  | Bo .....         | D7/523 |
| D848,851 S * | 5/2019  | Sullivan .....   | D9/558 |
| D852,635 S * | 7/2019  | Dammers .....    | D9/566 |
| D853,793 S * | 7/2019  | Bo .....         | D7/523 |
| D883,798 S * | 5/2020  | Kuzma .....      | D9/516 |
| D901,306 S * | 11/2020 | Clark .....      | D9/575 |

\* cited by examiner

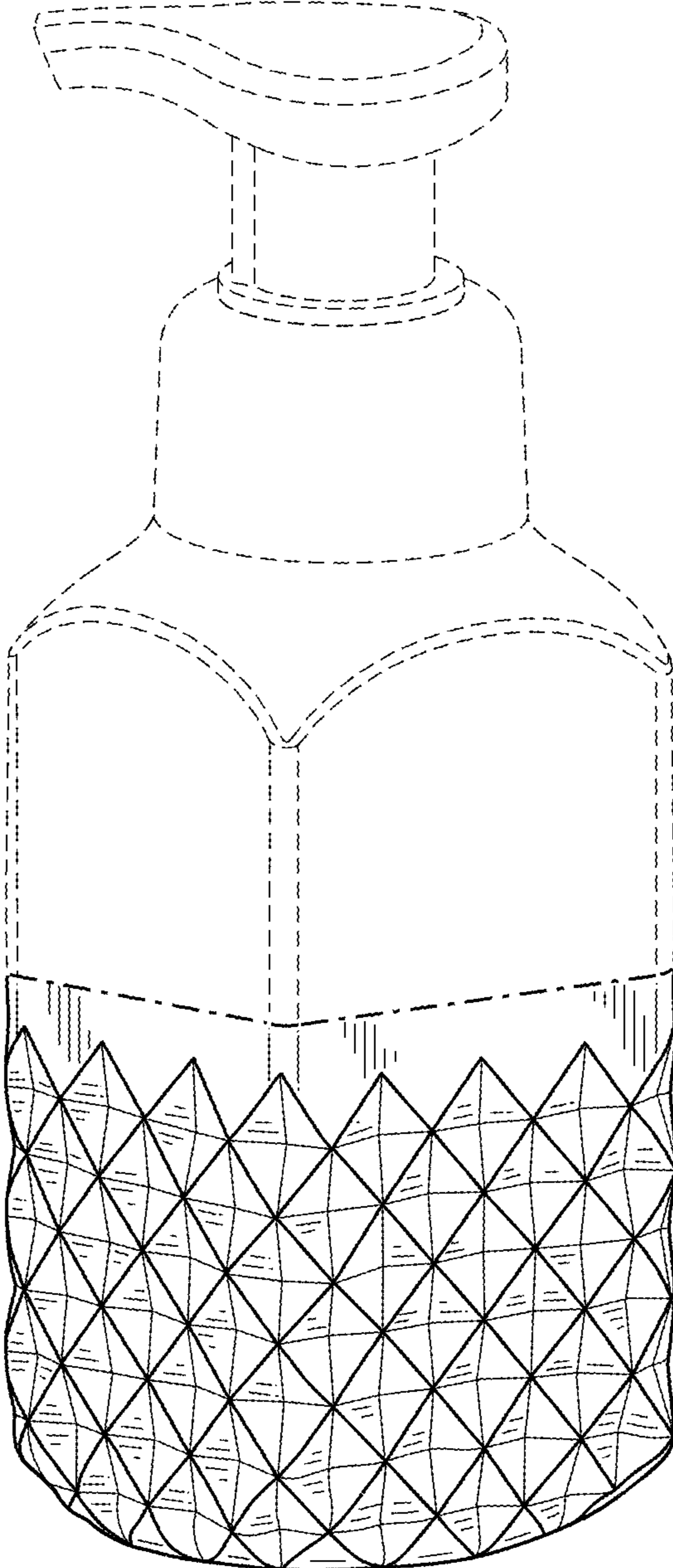


FIG. 1

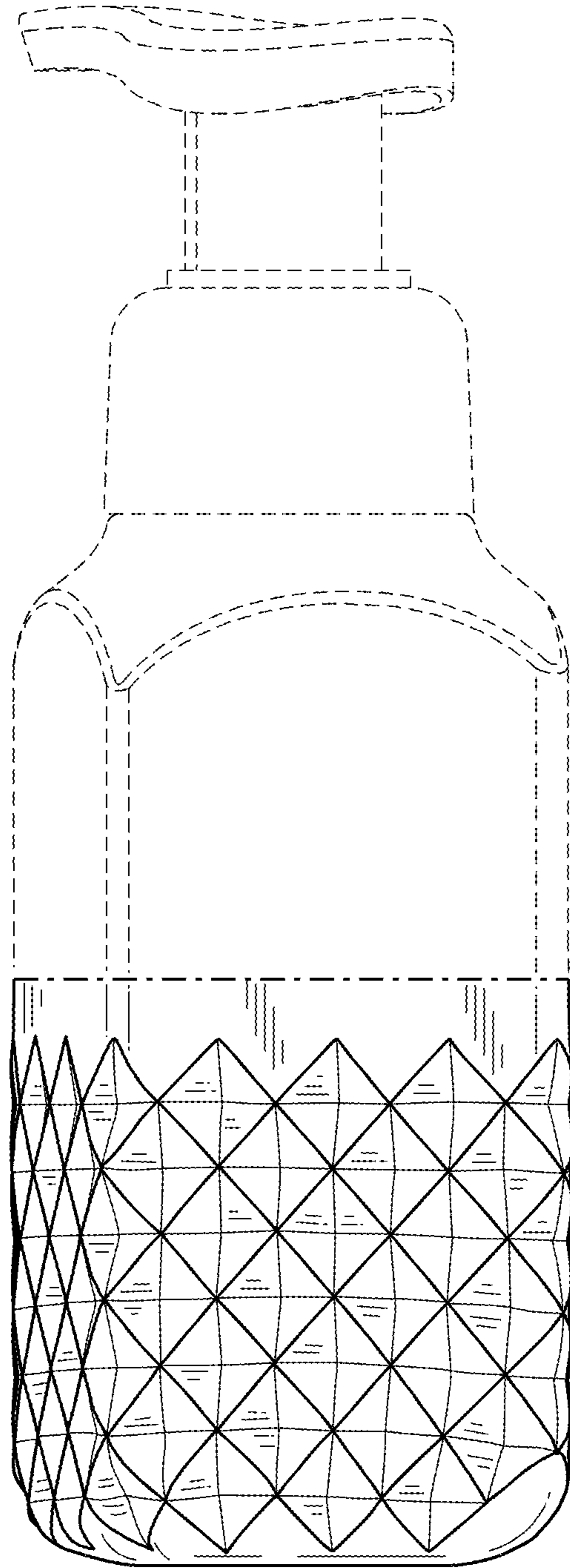


FIG. 2

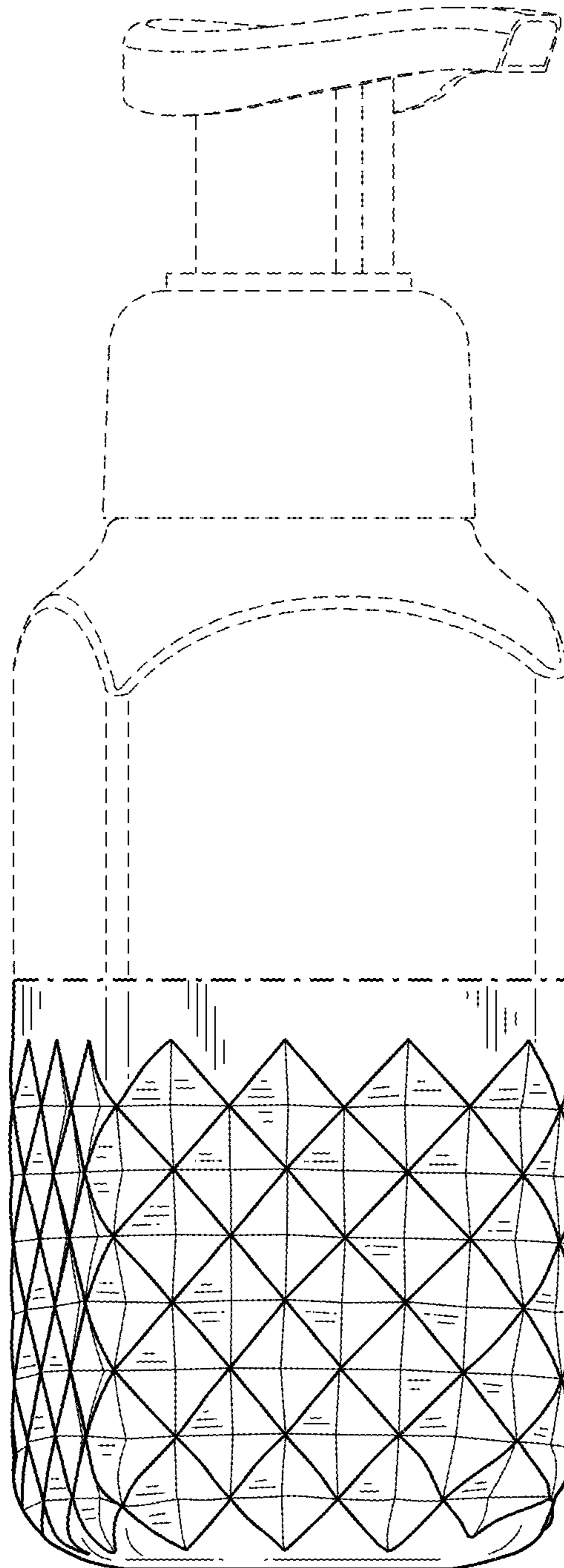


FIG. 3

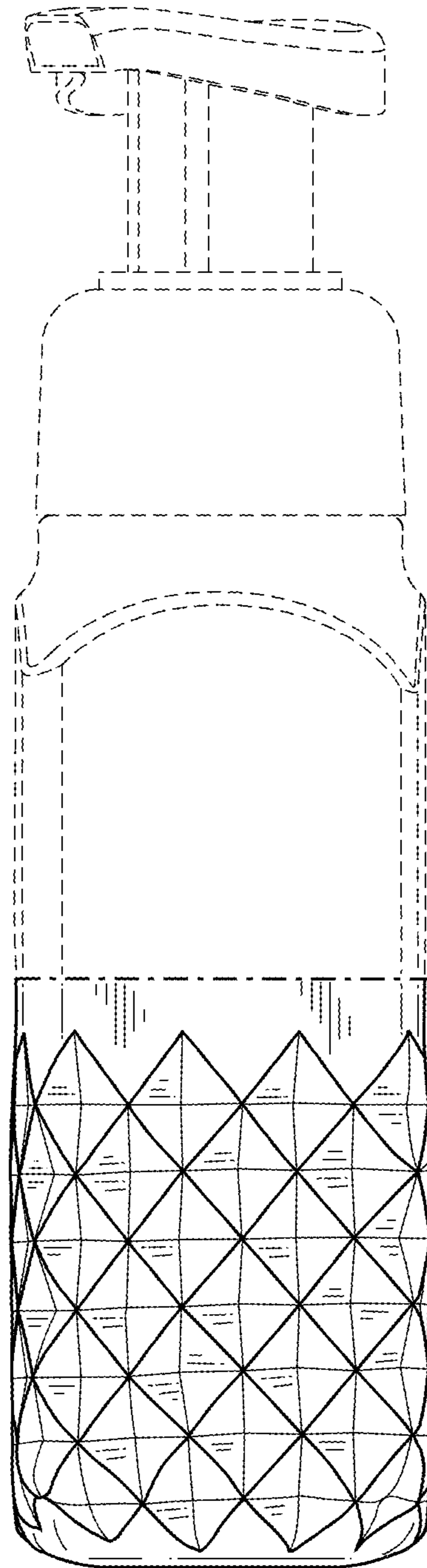


FIG. 4

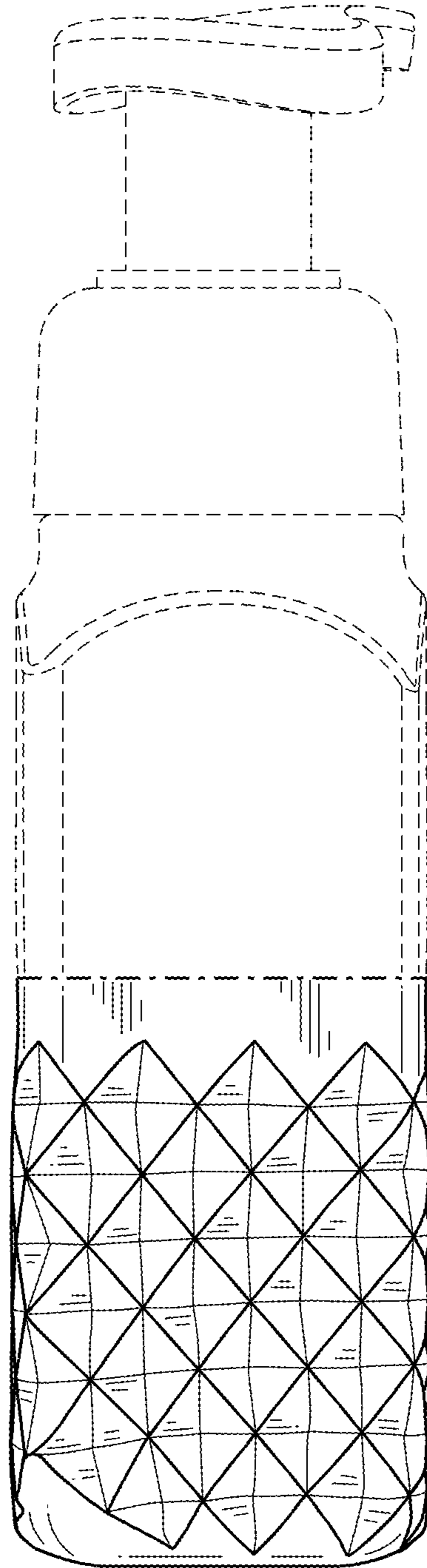


FIG. 5

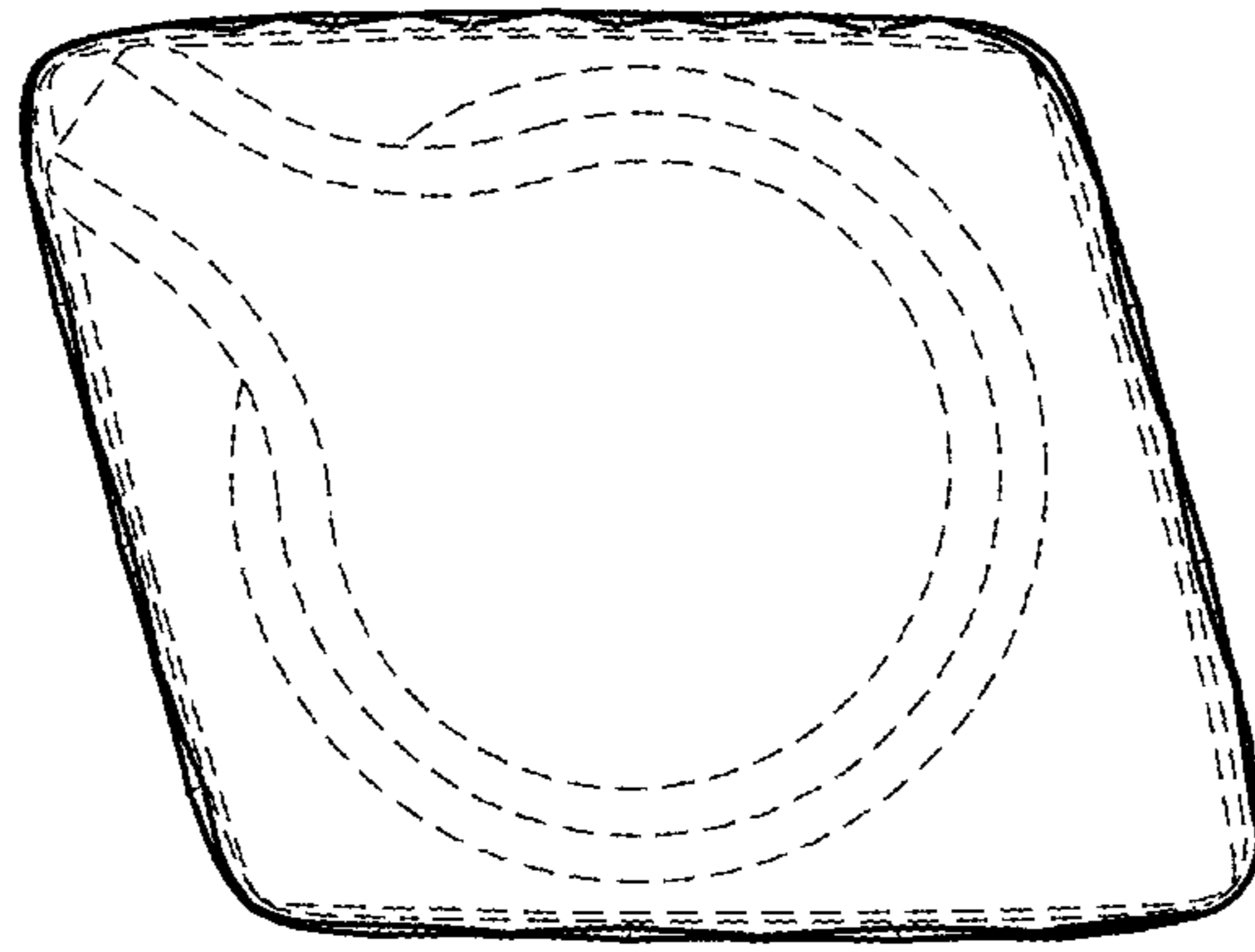


FIG. 6

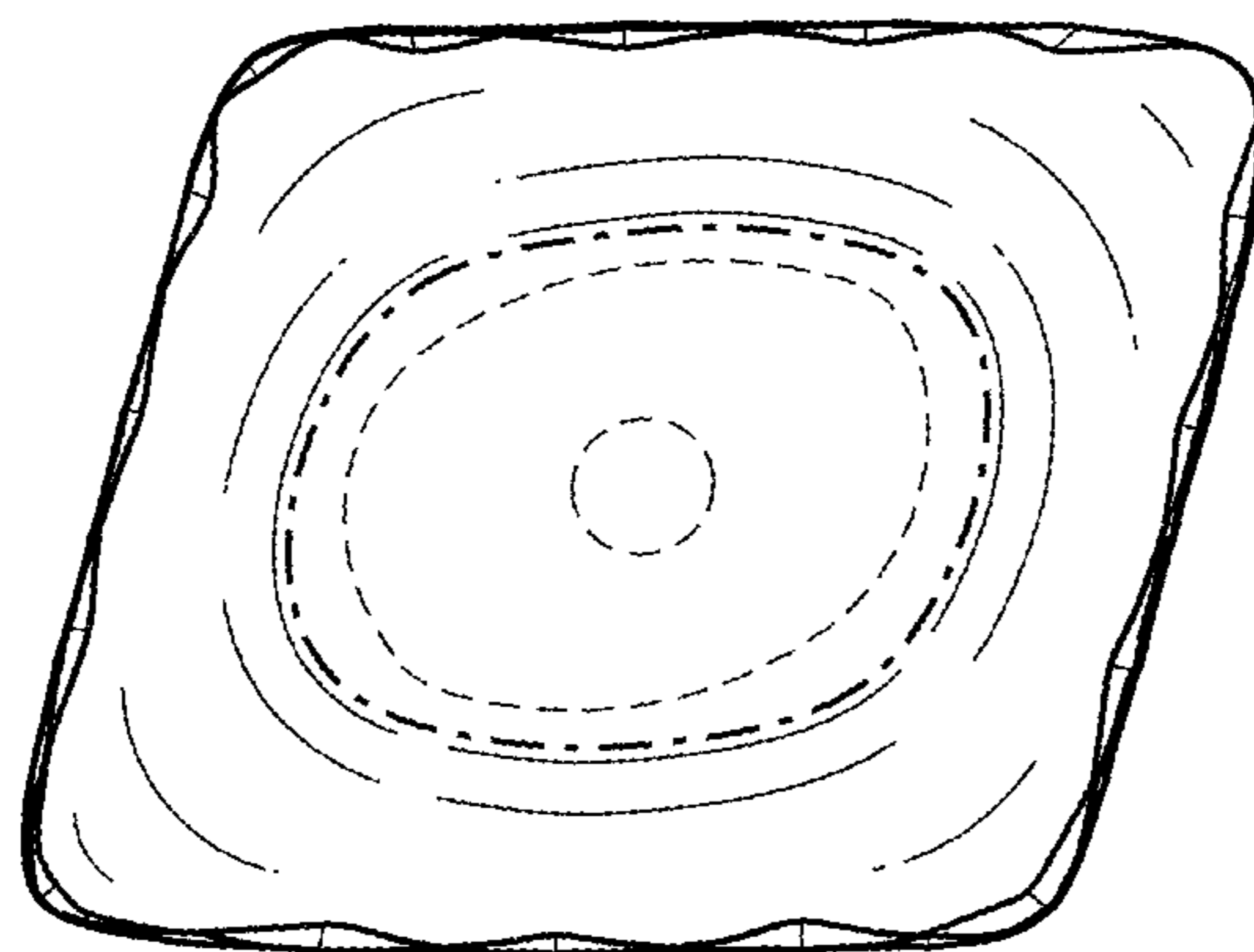


FIG. 7