



US00D958664S

(12) **United States Design Patent**  
**Lee et al.**

(10) **Patent No.:** **US D958,664 S**  
(45) **Date of Patent:** **\*\* Jul. 26, 2022**

(54) **DISPENSER FOR COSMETICS**

(71) Applicant: **The Procter & Gamble Company,**  
Cincinnati, OH (US)

(72) Inventors: **YunQin Lee,** Singapore (SG); **Siti Aishah Binte Mohamad Hussinee,** Singapore (SG)

(73) Assignee: **The Procter & Gamble Company,**  
Cincinnati, OH (US)

(\*\*) Term: **15 Years**

(21) Appl. No.: **29/758,260**

(22) Filed: **Nov. 13, 2020**

(30) **Foreign Application Priority Data**

May 15, 2020 (WO) ..... WIPO94890

(51) **LOC (13) Cl.** ..... **09-01**

(52) **U.S. Cl.**  
USPC ..... **D9/560**

(58) **Field of Classification Search**

USPC ..... D9/434-435, 439, 447, 449, 450, 452,  
D9/454, 516, 520, 522-524, 528-531,  
D9/541-544, 549-551, 558-560, 563,  
D9/565-566, 571-575, 682, 686, 687,  
D9/693-694, 715, 719; D7/300, 300.1,  
D7/316, 317, 598; D23/211, 225;  
D24/107, 121-123, 216, 217, 219,  
D24/223-227

CPC ... B65D 1/00; B65D 1/02; B65D 1/12; B65D  
1/18; B65D 1/20; B65D 1/0223; B65D  
23/00; B65D 21/0237; B65D 2501/0009;  
B65D 2501/0081

See application file for complete search history.

(56) **References Cited**

**U.S. PATENT DOCUMENTS**

D269,067 S \* 5/1983 Ballereaud ..... D9/560  
D613,177 S \* 4/2010 Lee ..... D9/520

(Continued)

**OTHER PUBLICATIONS**

Foaming Shampoo Dispenser Bottle, Suream 4 Pack 8.45oz/250ml Blue Plastic Refillable Hand Pump Container for Lotion, Conditioner, Empty Small Square Bottle for Bathroom Body Wash, Kitchen Sink, Travel Online, published date unknown. Retrieved on Apr. 15, 2022 from URL: [https://www.ubuy.co.id/en/product/D14CVKA-foamin.\\*](https://www.ubuy.co.id/en/product/D14CVKA-foamin.*)

(Continued)

*Primary Examiner* — Omeed Agilee

(74) *Attorney, Agent, or Firm* — Alexandra S. Anoff

(57) **CLAIM**

The ornamental design for a dispenser for cosmetics, as shown and described.

**DESCRIPTION**

FIG. 1 is a perspective view of a first embodiment of a dispenser for cosmetics showing our new design;

FIG. 2 is a front view thereof;

FIG. 3 is a left view thereof;

FIG. 4 is a rear view thereof;

FIG. 5 is a right view thereof;

FIG. 6 is a top view thereof;

FIG. 7 is a bottom view thereof;

FIG. 8 is a perspective view of a second embodiment of a dispenser for cosmetics showing our new design;

FIG. 9 is a front view thereof;

FIG. 10 is a left view thereof;

FIG. 11 is a rear view thereof;

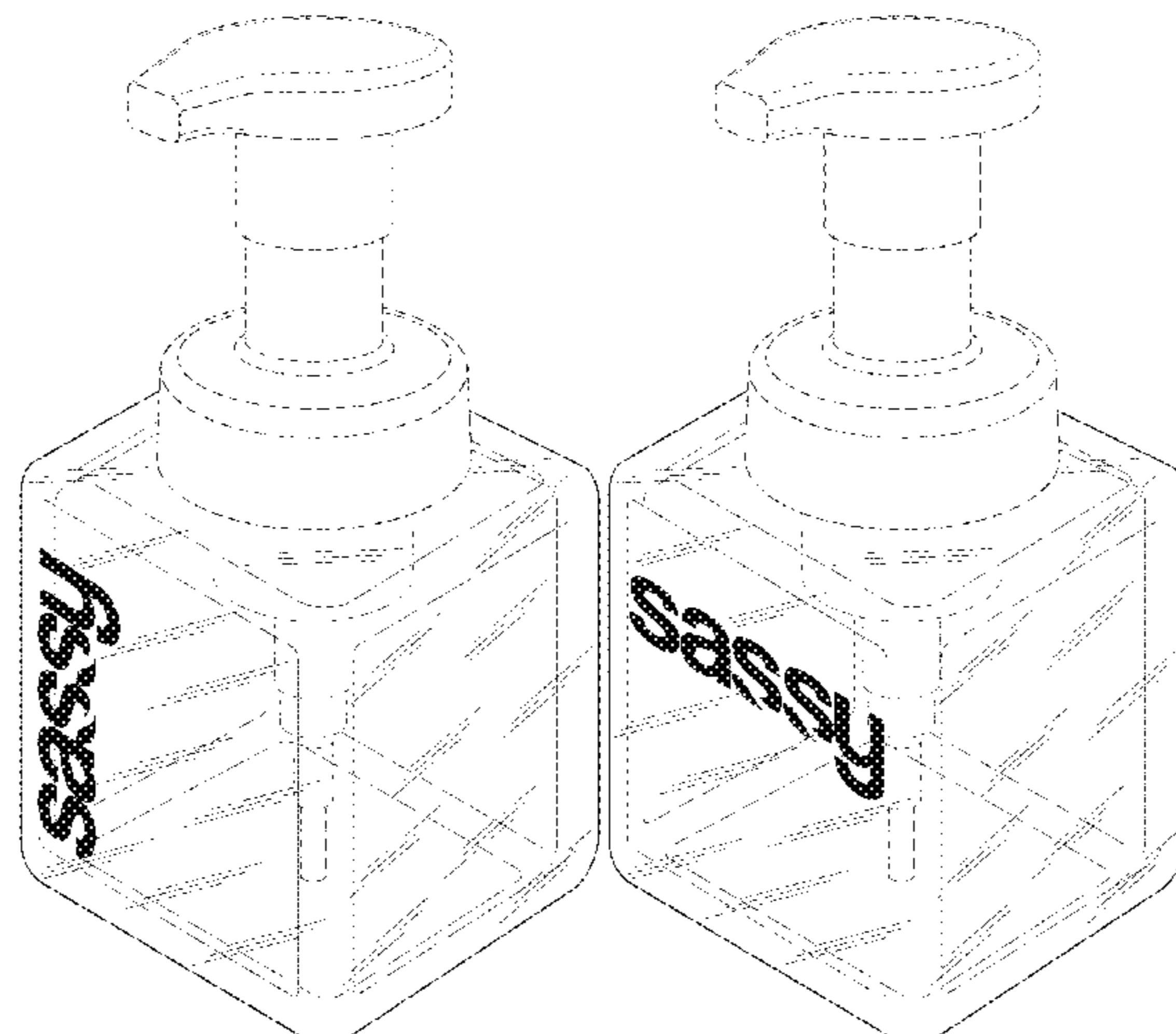
FIG. 12 is a right view thereof;

FIG. 13 is a top view thereof; and,

FIG. 14 is a bottom view thereof.

The broken lines in the drawings depict portions of the dispenser for cosmetics that form no part of the claimed design.

**1 Claim, 8 Drawing Sheets**



(56)

**References Cited**

U.S. PATENT DOCUMENTS

D705,663 S *	5/2014	Guichot .....	D9/546
D709,652 S *	7/2014	Teller .....	D28/83
D796,964 S *	9/2017	Staab .....	D9/520
D816,506 S *	5/2018	Jones .....	D9/520
D852,052 S *	6/2019	Dalton .....	D9/566
D878,913 S *	3/2020	Castellanos .....	D9/560
D918,054 S *	5/2021	Papiernik .....	D9/566
D928,624 S *	8/2021	Lim .....	D9/563
D935,324 S *	11/2021	Bodum .....	D9/520
D936,481 S *	11/2021	Newell .....	D4/116
D936,483 S *	11/2021	Xie .....	D9/520
D946,408 S *	3/2022	Mainguené .....	D9/544

OTHER PUBLICATIONS

Elegant Square Acrylic Cosmetic Refillable Cream Jar (30g). Online, published date unknown. Retrieved on Apr. 15, 2022 from URL: [https://www.fasttech.com/product/9683542-elegant-square-acrylic-cosmetic-refillable-cream.\\*](https://www.fasttech.com/product/9683542-elegant-square-acrylic-cosmetic-refillable-cream.*)

\* cited by examiner

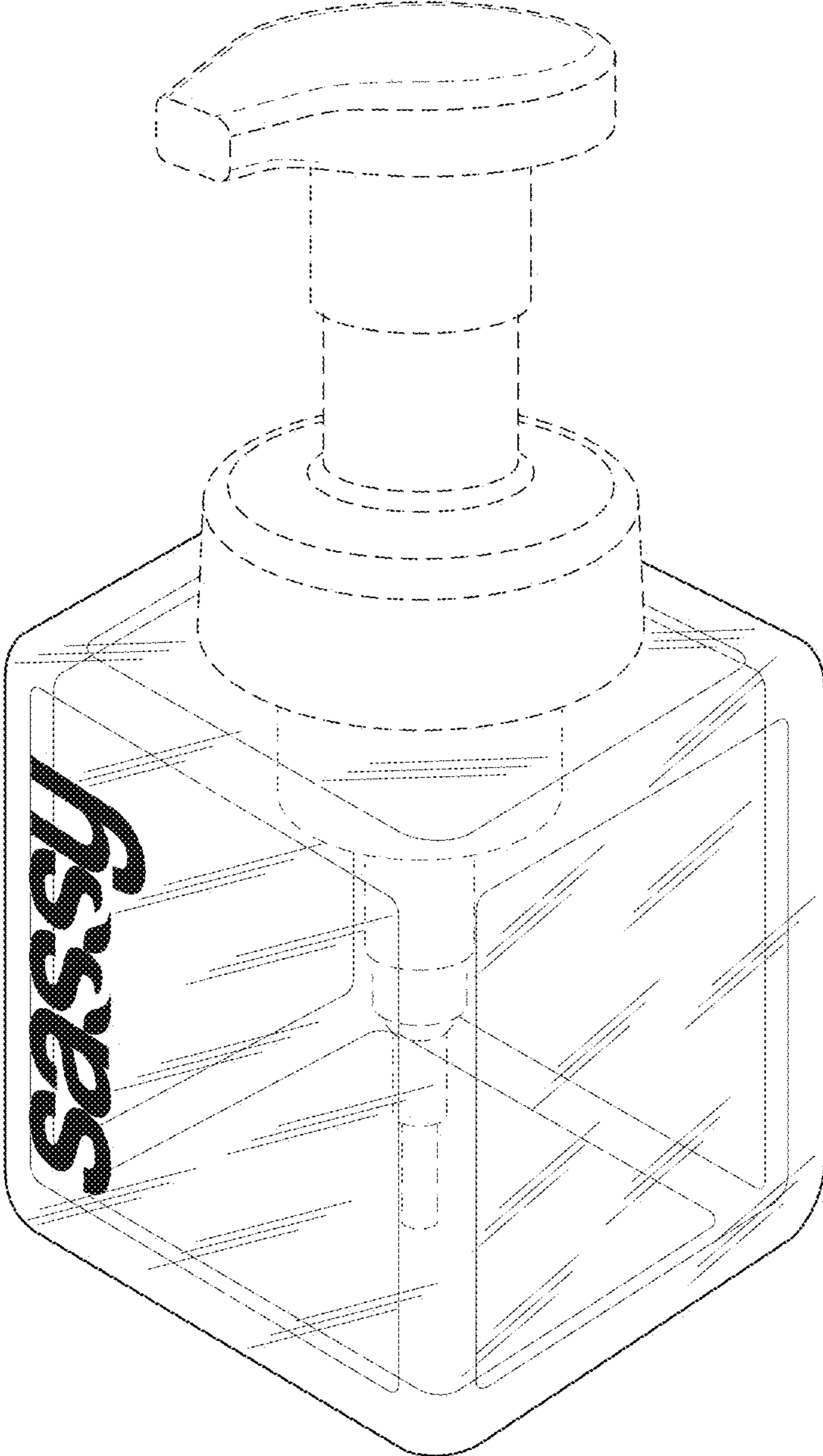


FIG. 1

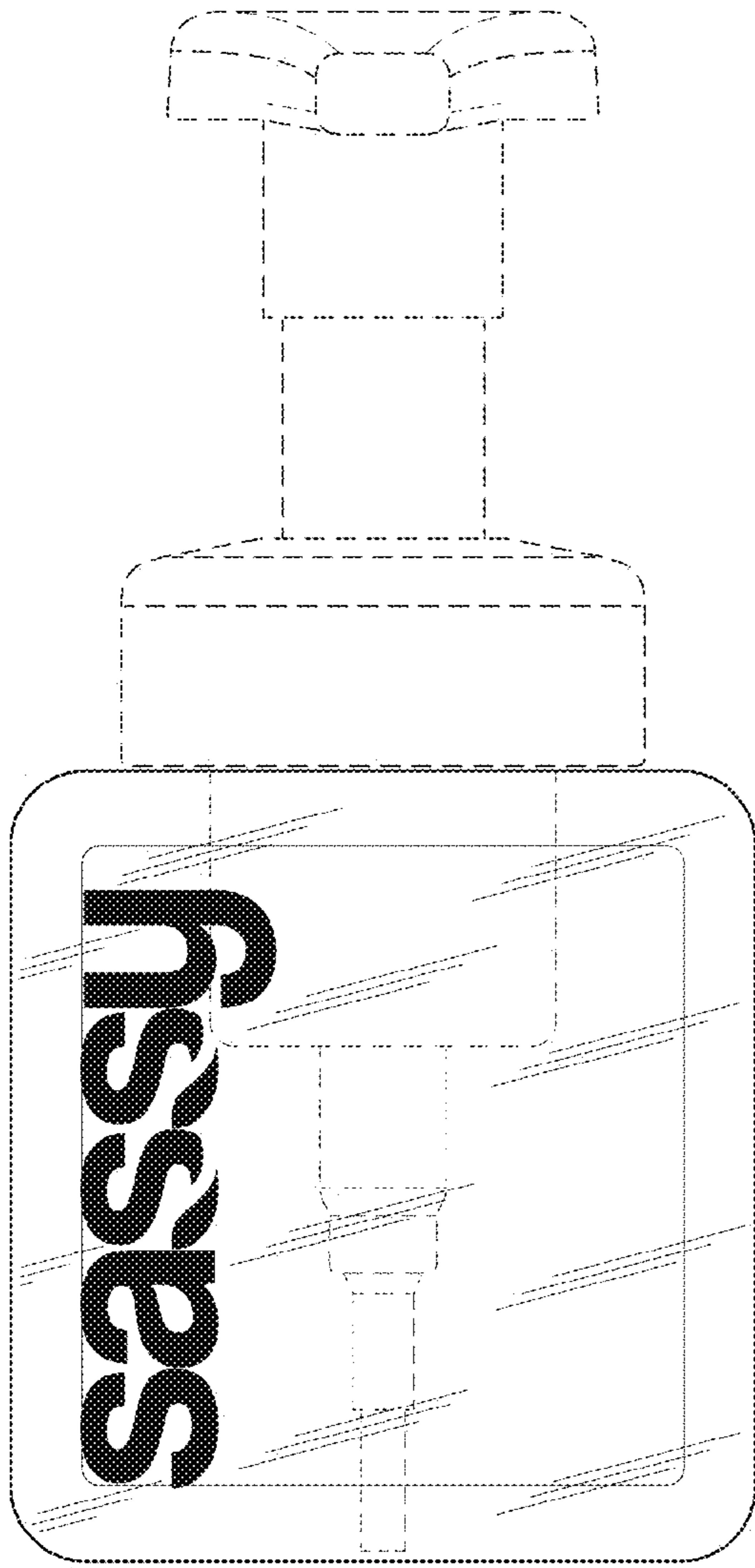


FIG. 2

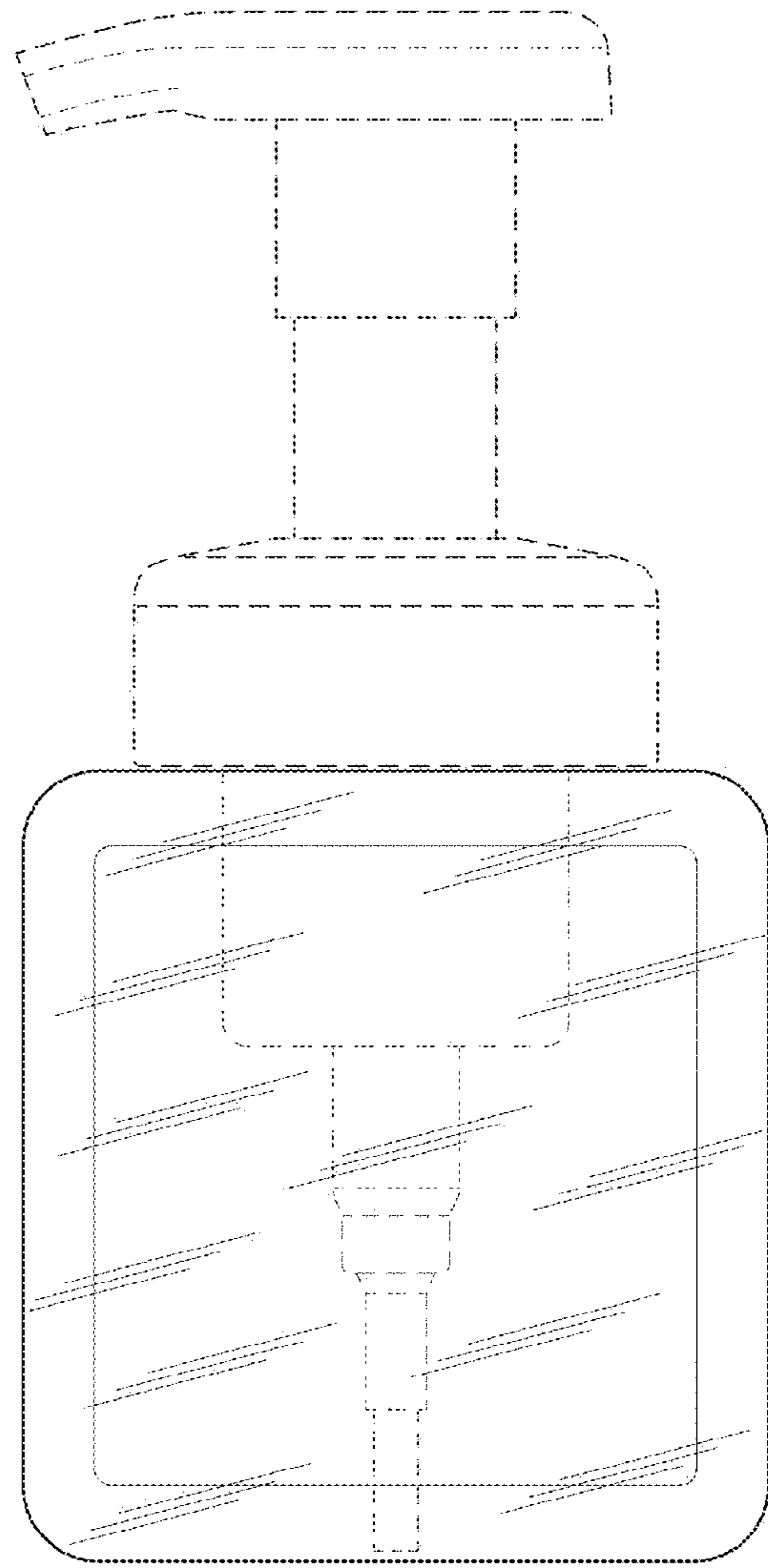


FIG. 3

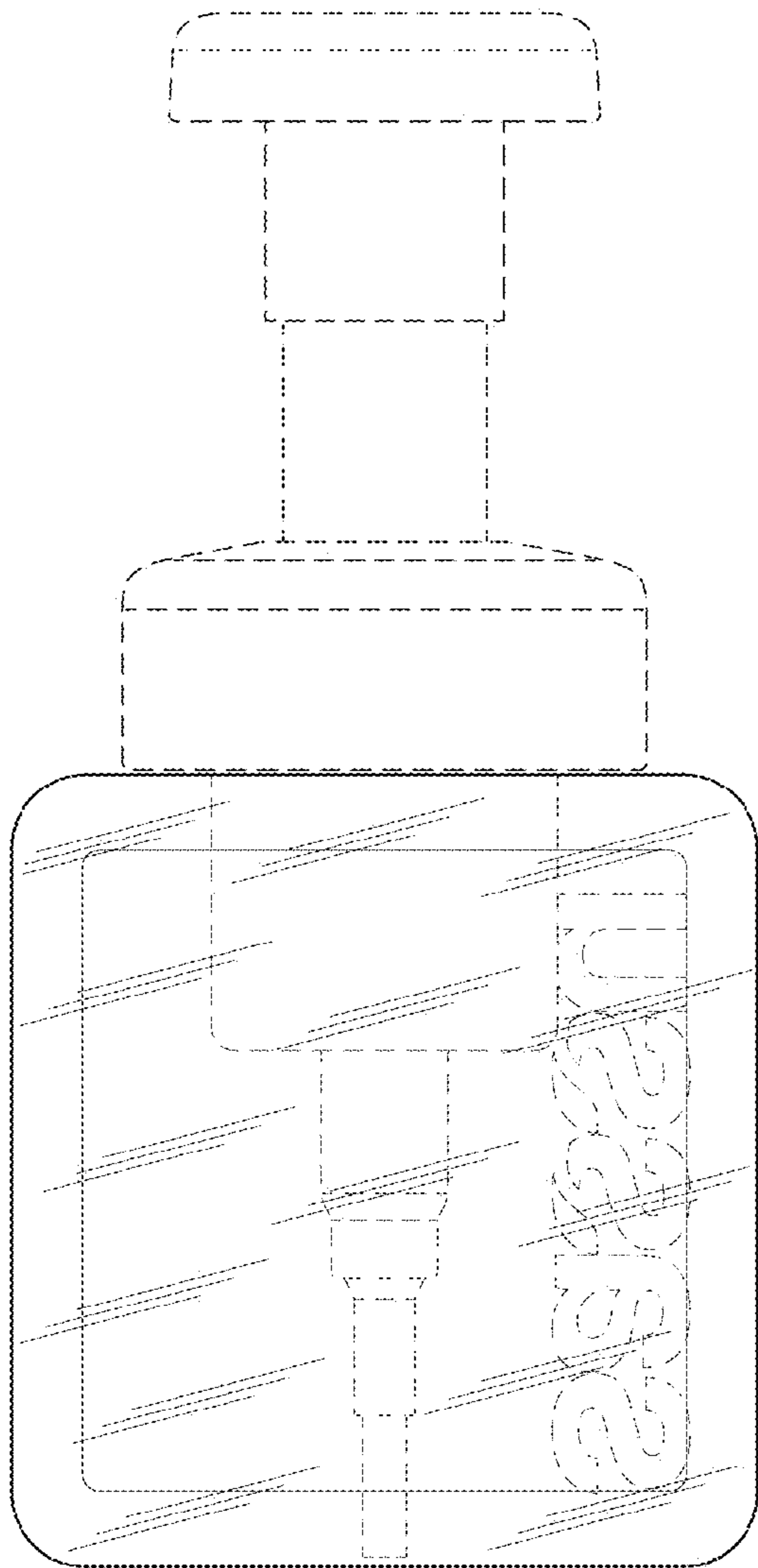


FIG. 4

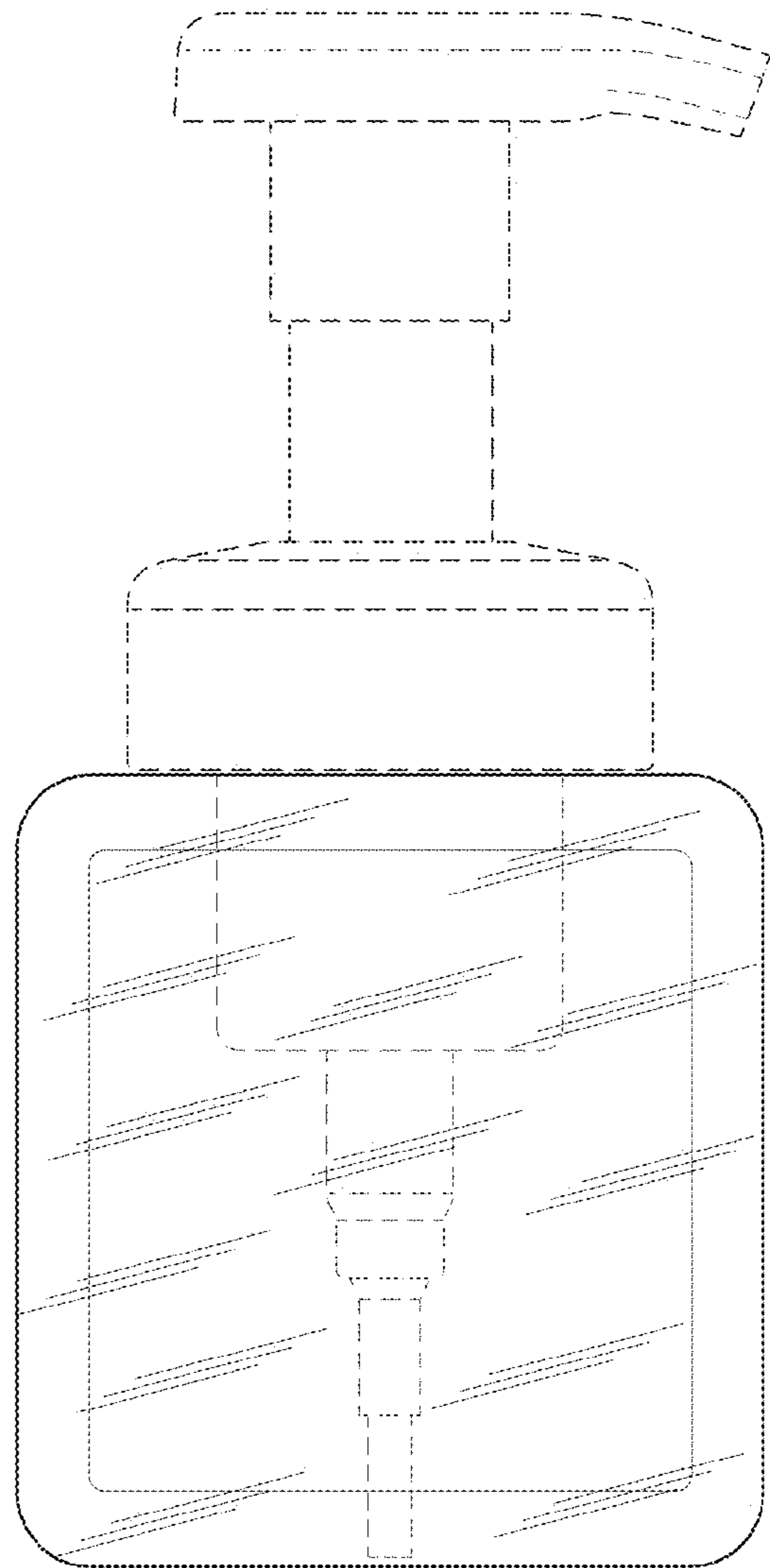


FIG. 5

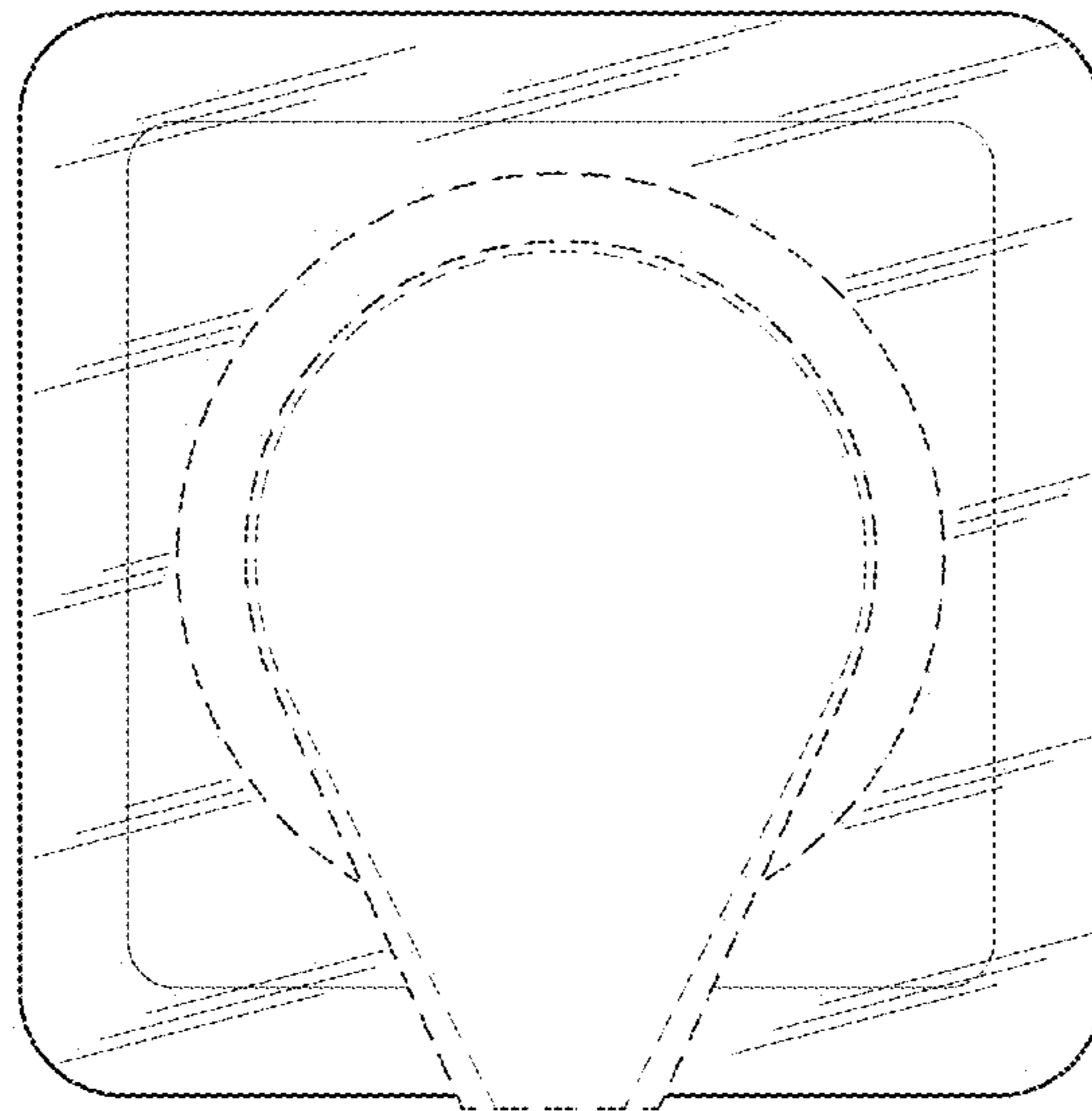


FIG. 6

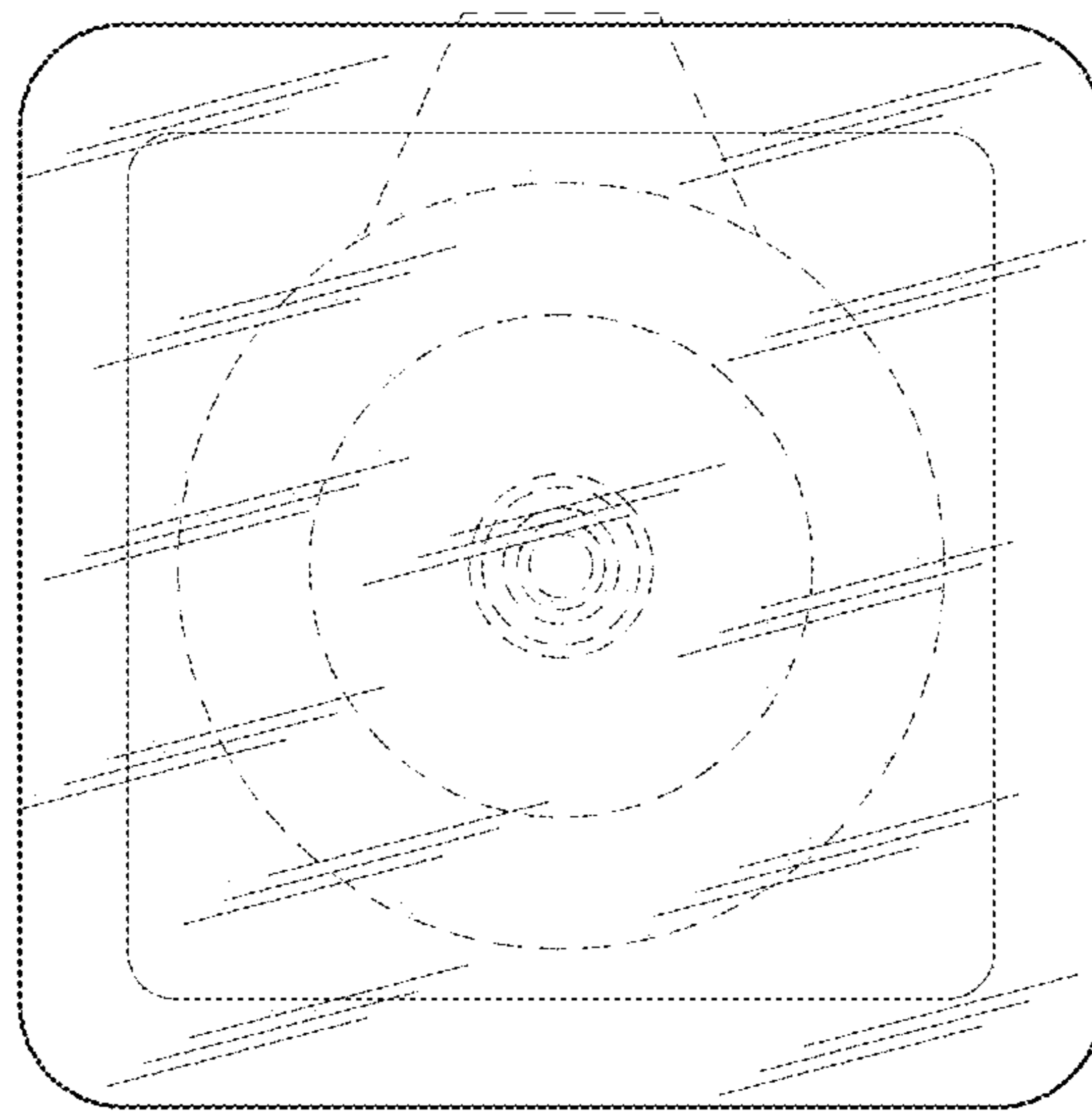


FIG. 7

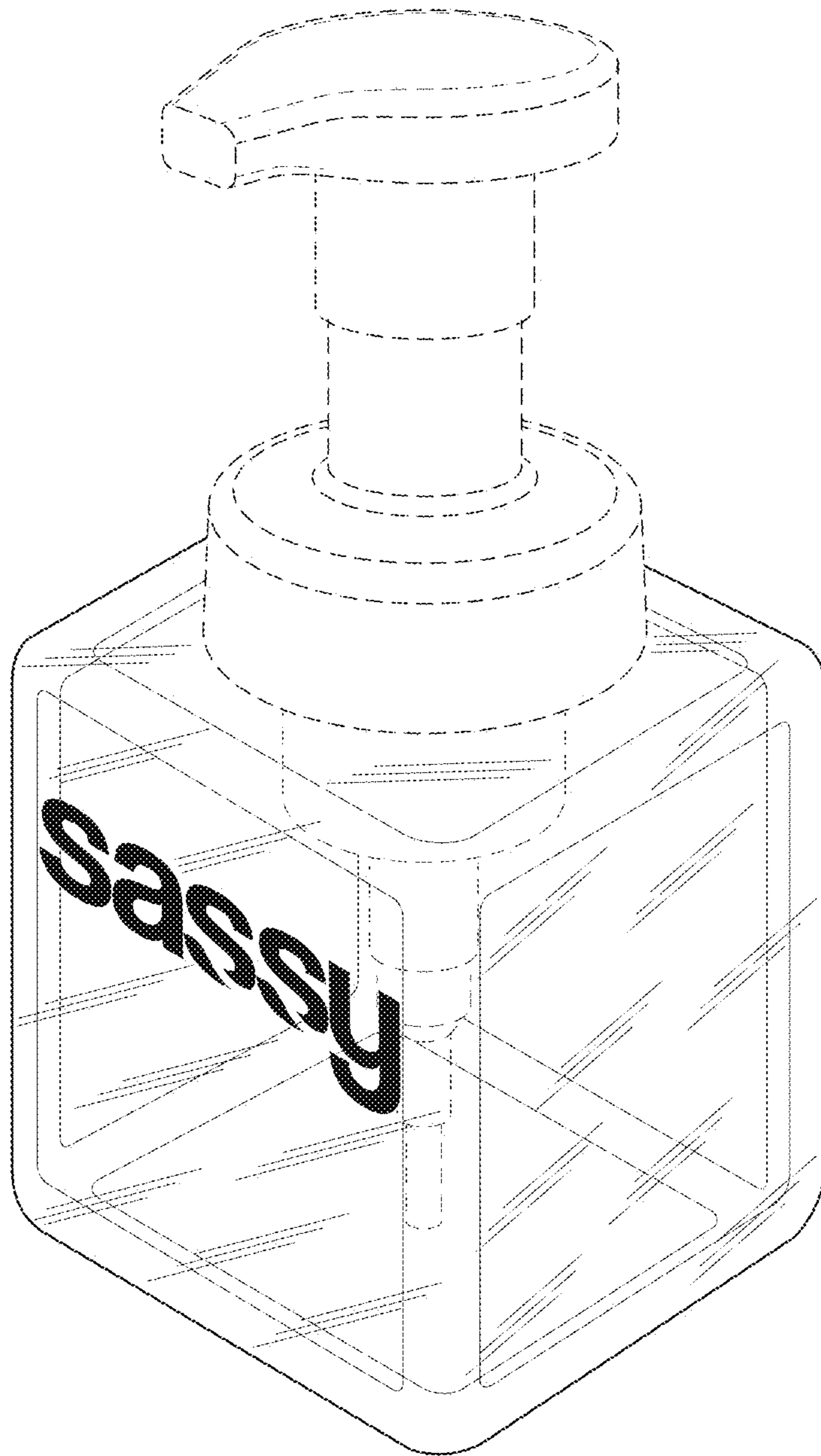


FIG. 8



FIG. 9

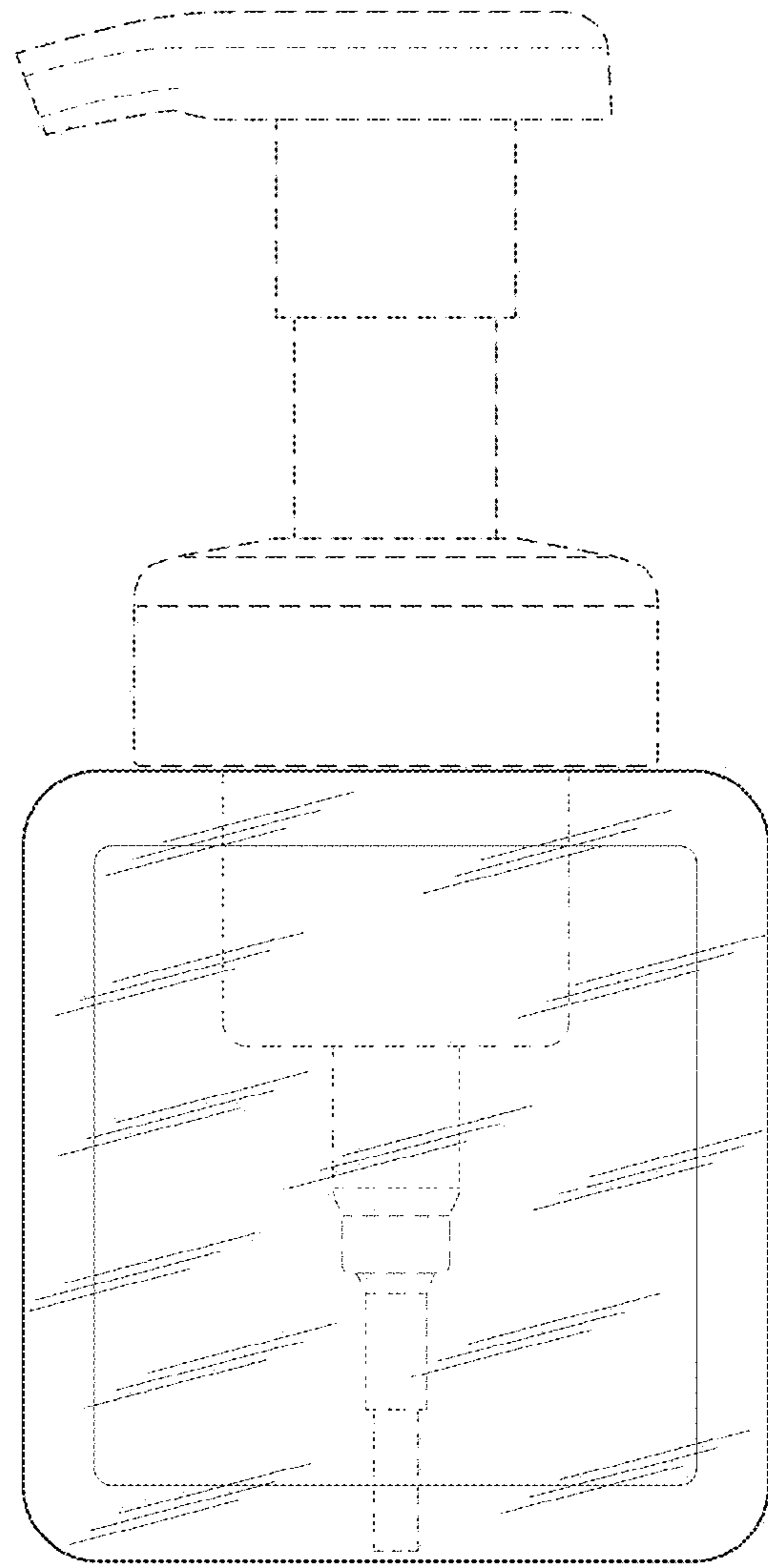


FIG. 10



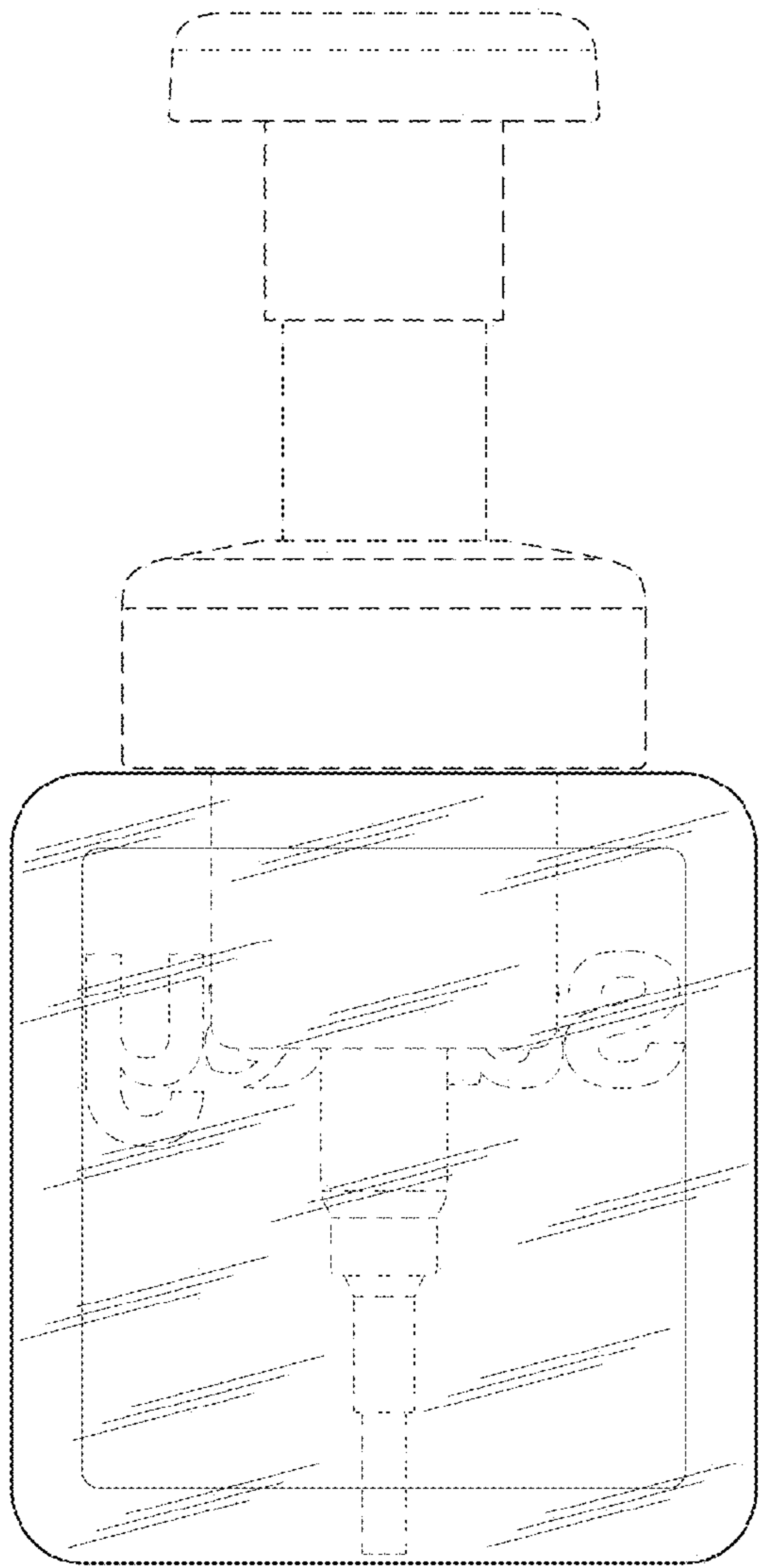


FIG. 11

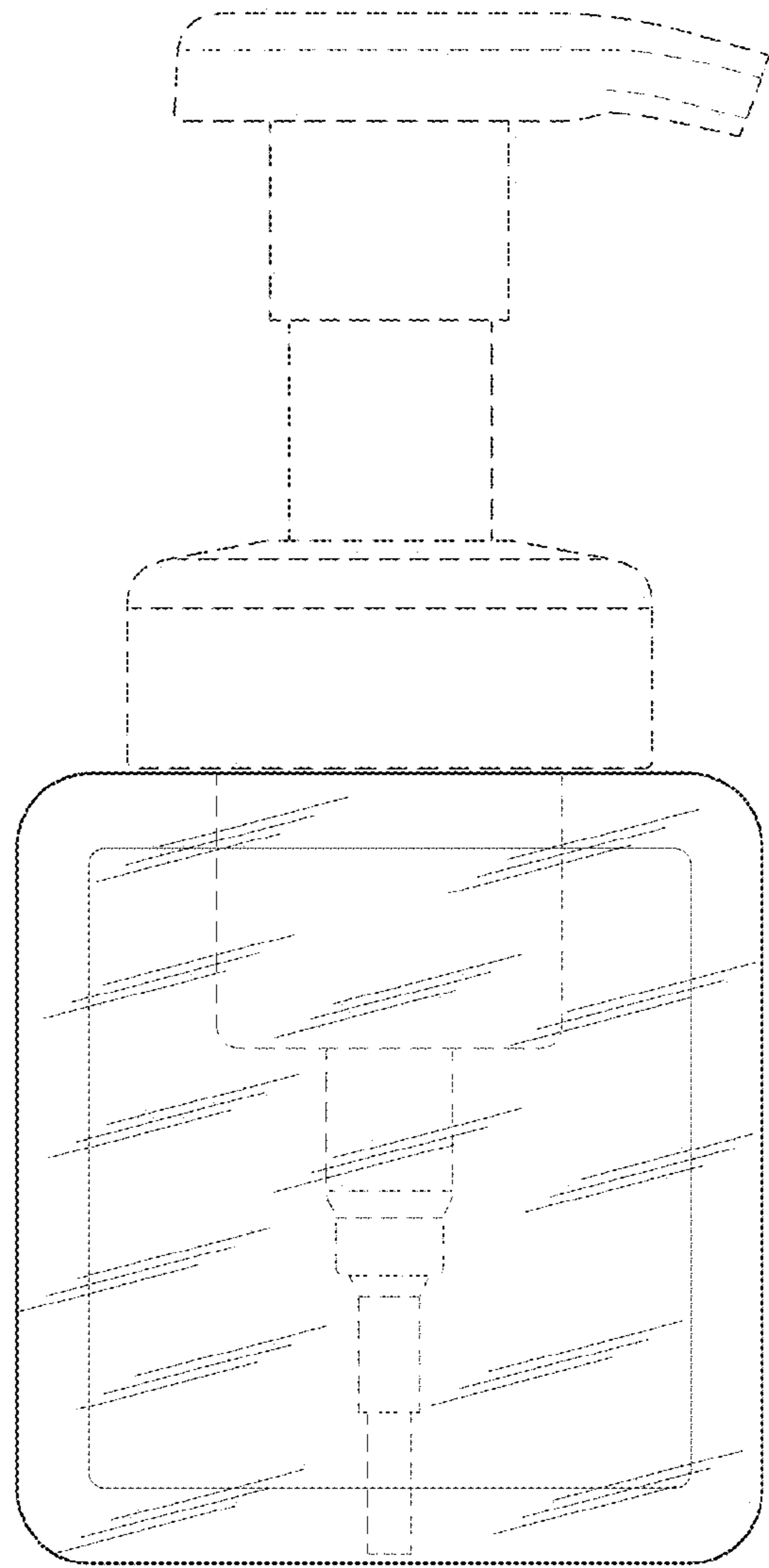


FIG. 12

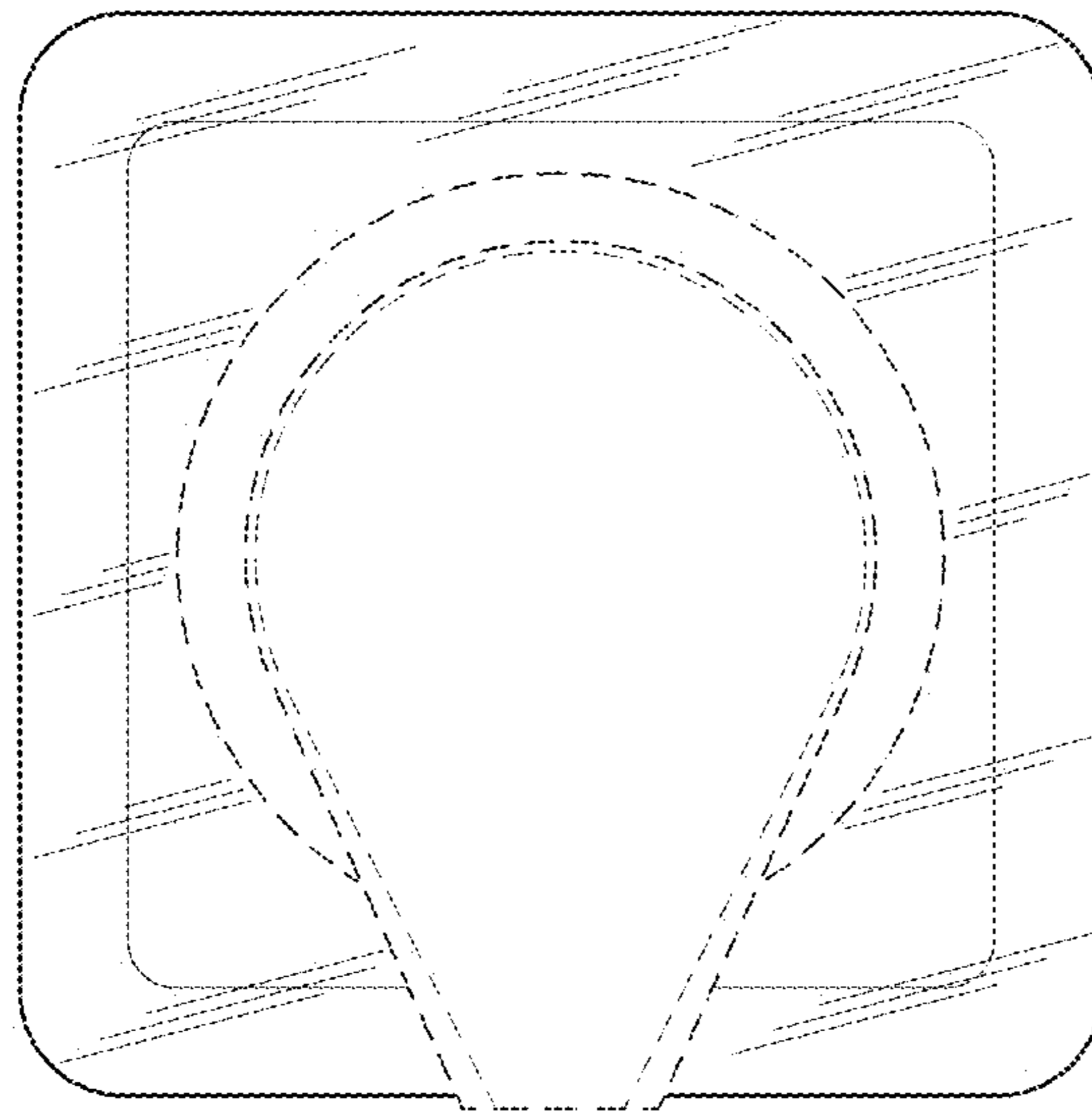


FIG. 13

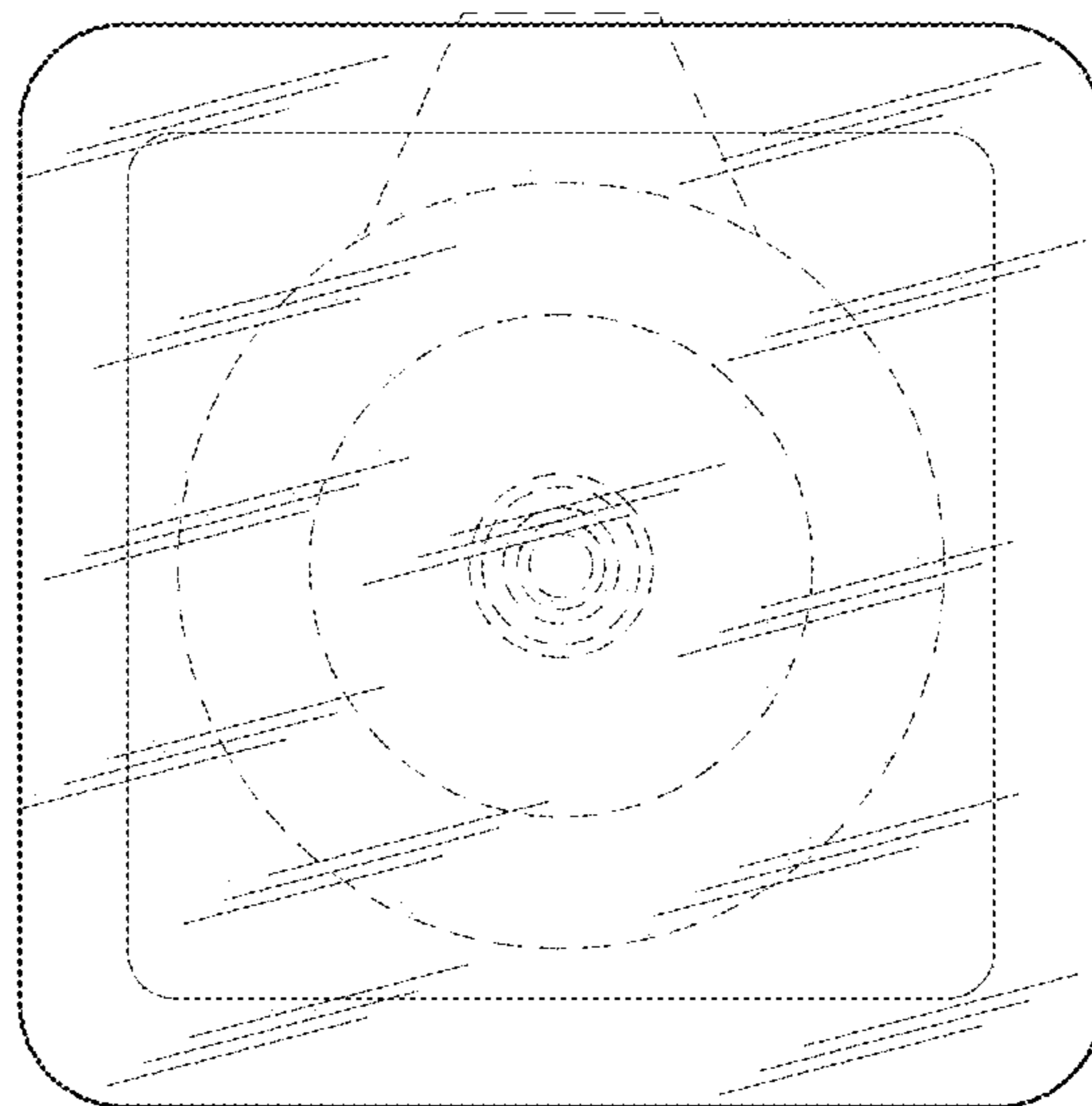


FIG. 14