



US00D958658S

(12) **United States Design Patent** (10) **Patent No.:** **US D958,658 S**
Eggers (45) **Date of Patent:** **** Jul. 26, 2022**

(54) **CLOSURE FOR TUBULAR CONTAINER**
(71) Applicant: **Ryan A. Eggers**, Atlanta, GA (US)
(72) Inventor: **Ryan A. Eggers**, Atlanta, GA (US)
(**) Term: **15 Years**
(21) Appl. No.: **29/734,362**
(22) Filed: **May 12, 2020**
(51) **LOC (13) Cl.** **09-01**
(52) **U.S. Cl.**
USPC **D9/454; D9/435; D9/449**
(58) **Field of Classification Search**
USPC D9/434-435, 438, 449, 454, 500,
D9/503-504, 516, 529, 549, 558, 715,
D9/719, 721; D3/203.2
CPC B65D 1/00; B65D 1/02; B65D 1/0223;
B65D 23/00; B65D 2501/00; B65D
2501/0009
See application file for complete search history.

CN	204726926	U	10/2015
CN	208715856	U	4/2019
JP	6265939	U	4/1987
KR	20020037918	A	5/2002
KR	20030019507	A	3/2003
KR	20040004340	A	1/2004
KR	100424005	B	3/2004
KR	200410184	Y	3/2006
KR	1020070113525	A	11/2007
KR	2020080004829	U	10/2008
KR	100915792	B	9/2009
KR	2020100003873	U	4/2010
KR	1020150081809	A	7/2015
KR	1020150085892	A	7/2015
KR	200491265	Y	3/2020
TW	M320543		10/2007

* cited by examiner

Primary Examiner — Dana Meyrow
(74) *Attorney, Agent, or Firm* — Bekiares Eliezer LLP

(57) **CLAIM**

The ornamental design for a closure for tubular container, as shown.

(56) **References Cited**

U.S. PATENT DOCUMENTS

D736,633	S	*	8/2015	Bisbikis	D9/503
D736,634	S	*	8/2015	Bisbikis	D9/503
D742,699	S		11/2015	Boroski		
D756,222	S	*	5/2016	Lopez	D9/454
D784,072	S	*	4/2017	Baron	D7/392.1
D812,480	S	*	3/2018	Newson	D9/503

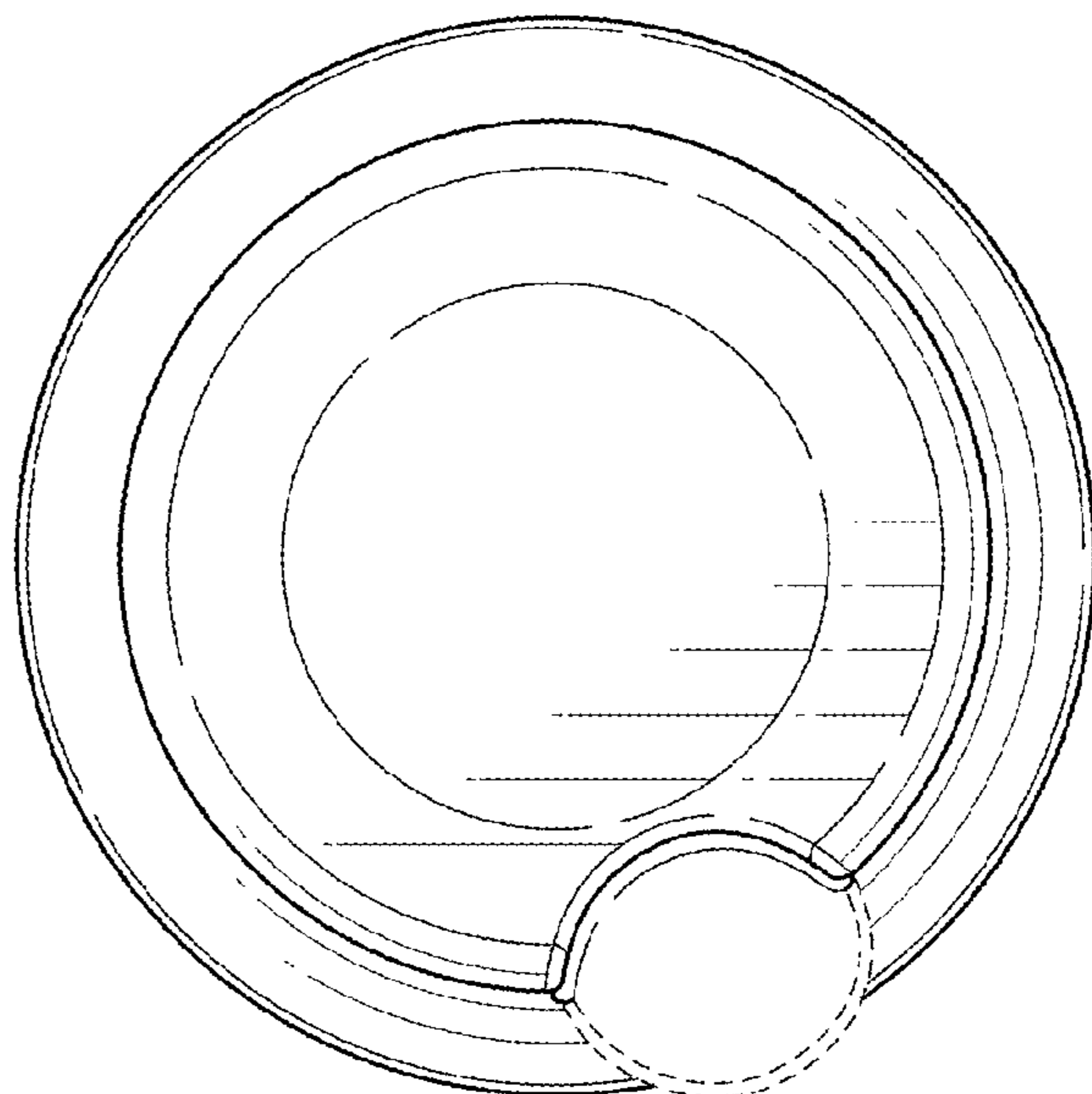
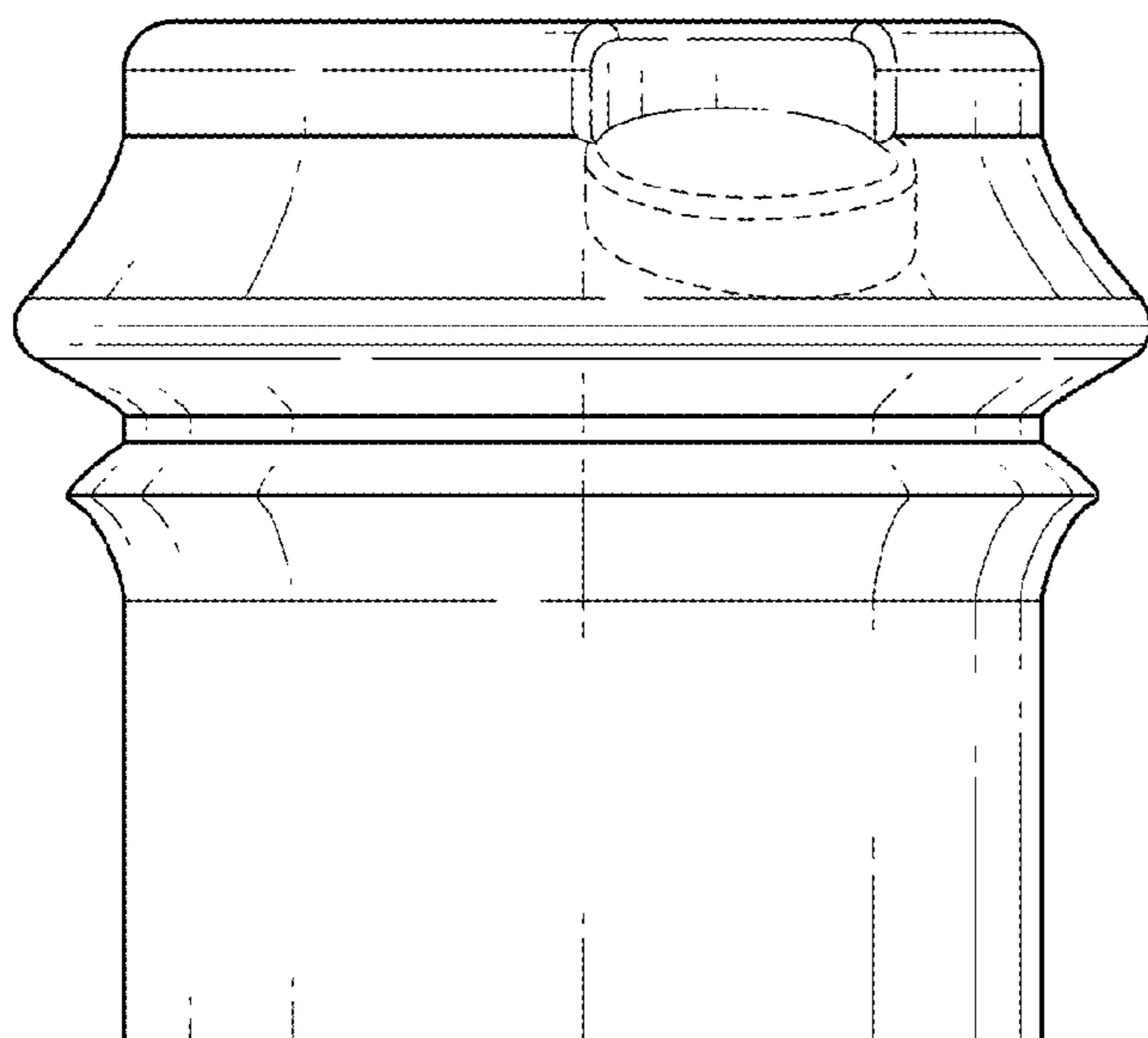
FOREIGN PATENT DOCUMENTS

AU	2019100768	A4	8/2019
CN	201376735	Y	1/2010
CN	203294428	U	11/2013

DESCRIPTION

FIG. 1 is a front view of a closure for tubular container showing my new design;
FIG. 2 is a top view thereof;
FIG. 3 is a bottom view thereof;
FIG. 4 is a side view thereof;
FIG. 5 is a perspective view thereof;
FIG. 6 is a front view thereof, shown in use; and,
FIG. 7 is a perspective view thereof, shown in use.
The broken lines illustrate portions of the closure for tubular container that do not form a part of the claimed design.

1 Claim, 7 Drawing Sheets



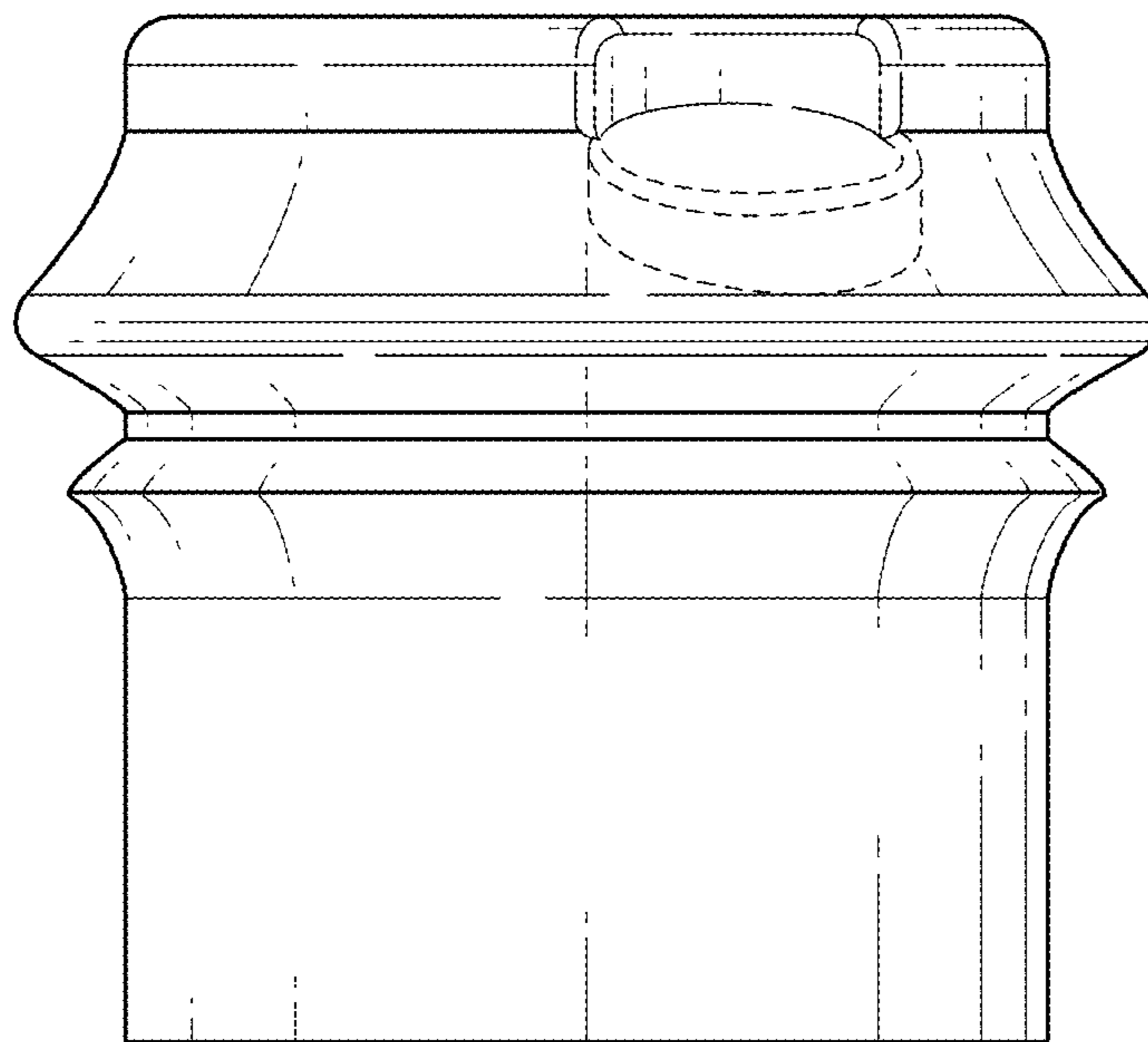


FIG. 1

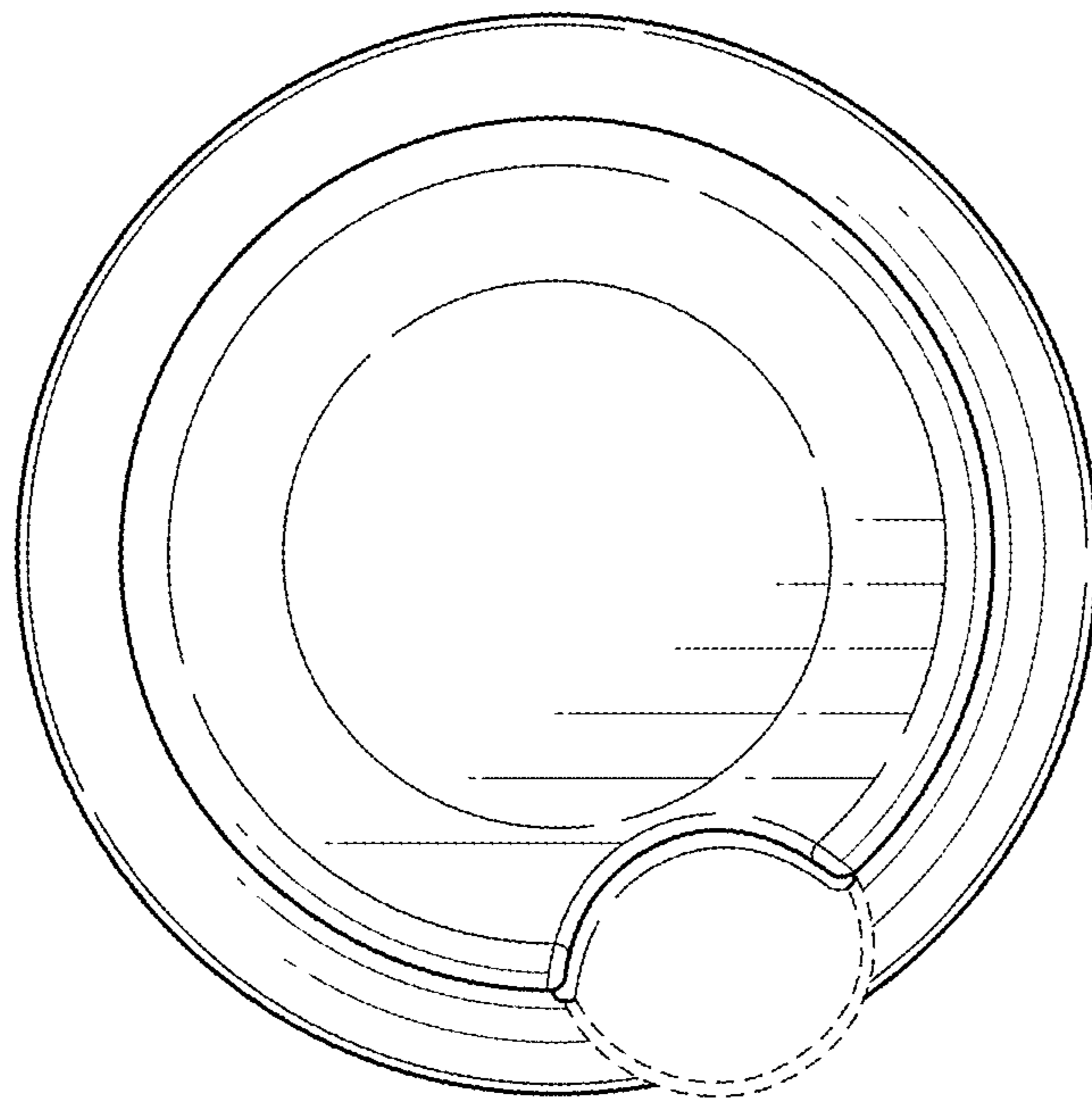


FIG. 2

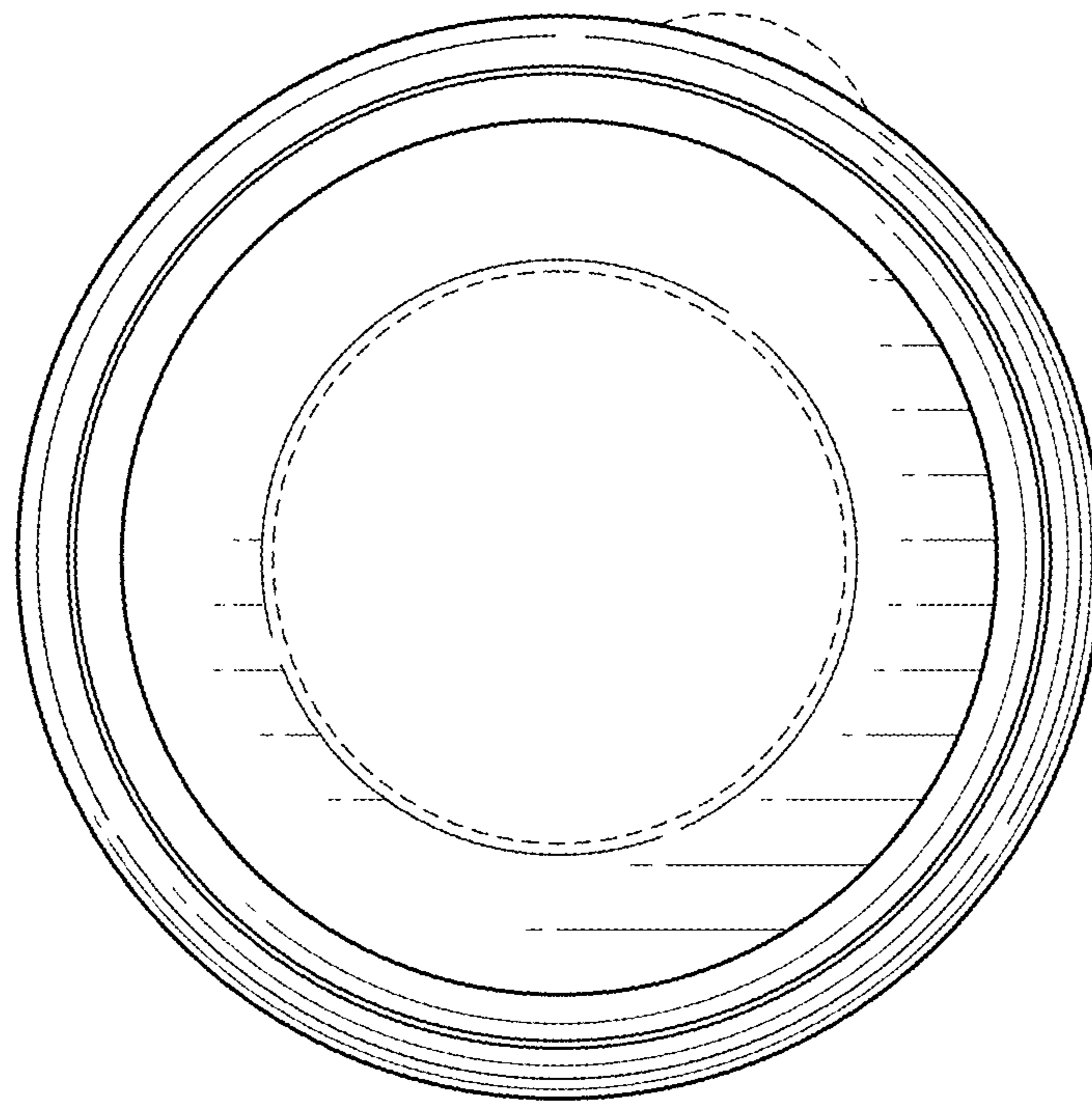


FIG. 3

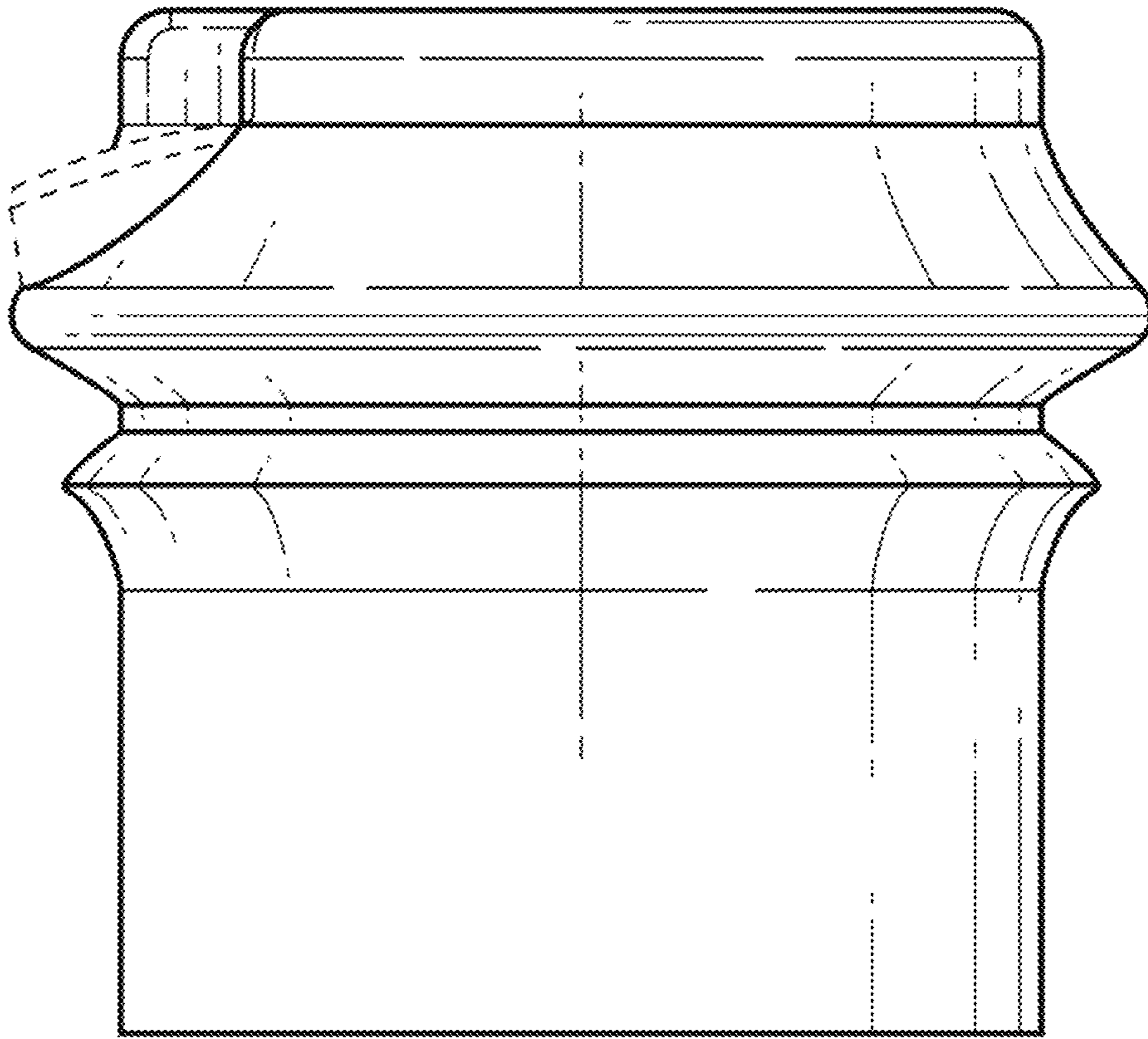


FIG. 4

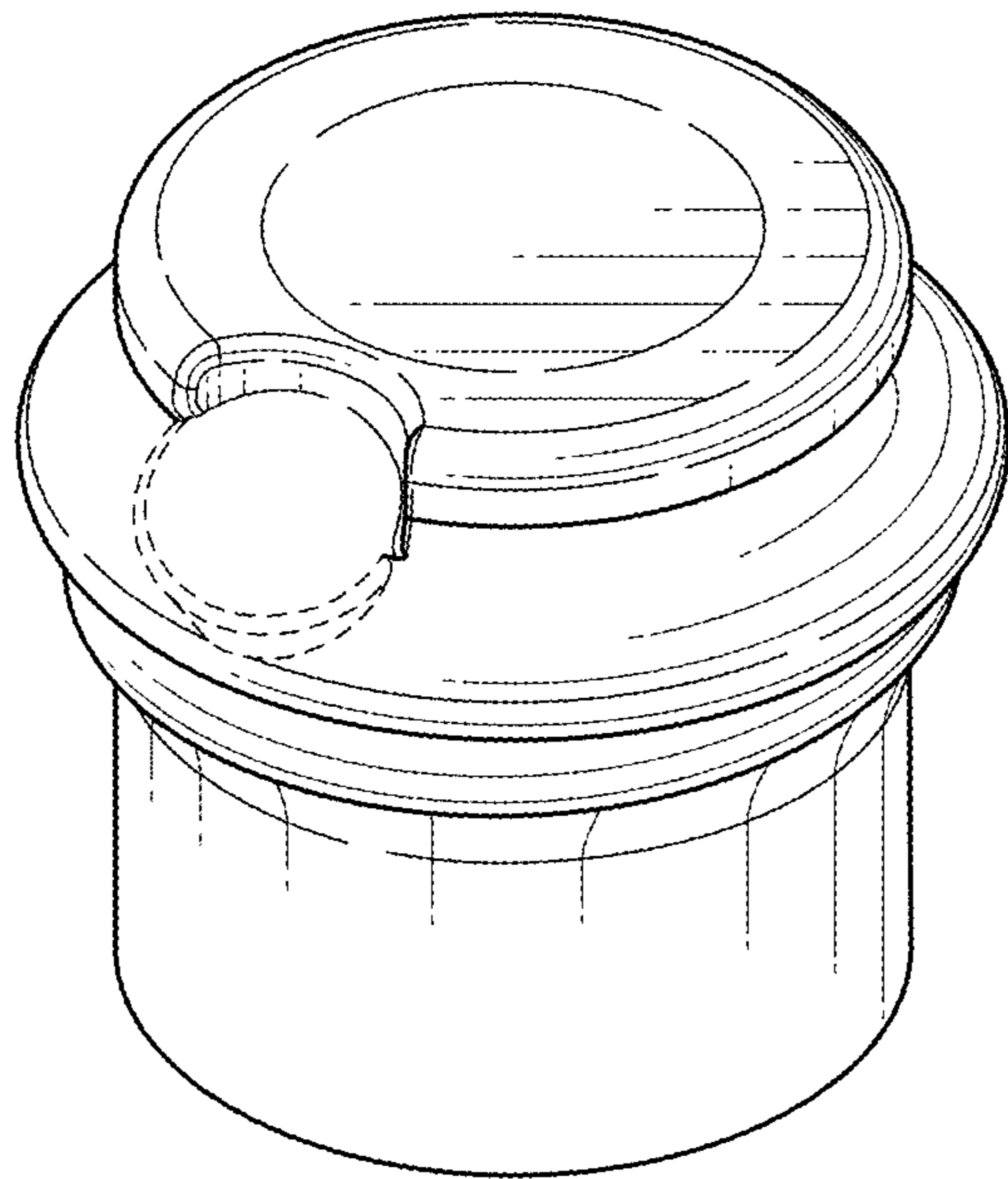


FIG. 5

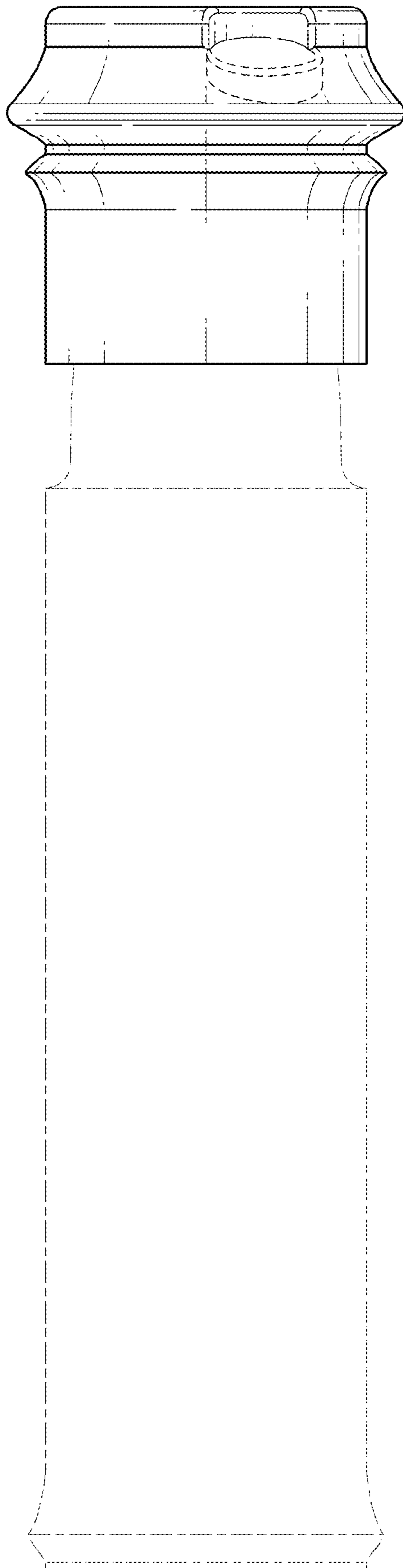


FIG. 6

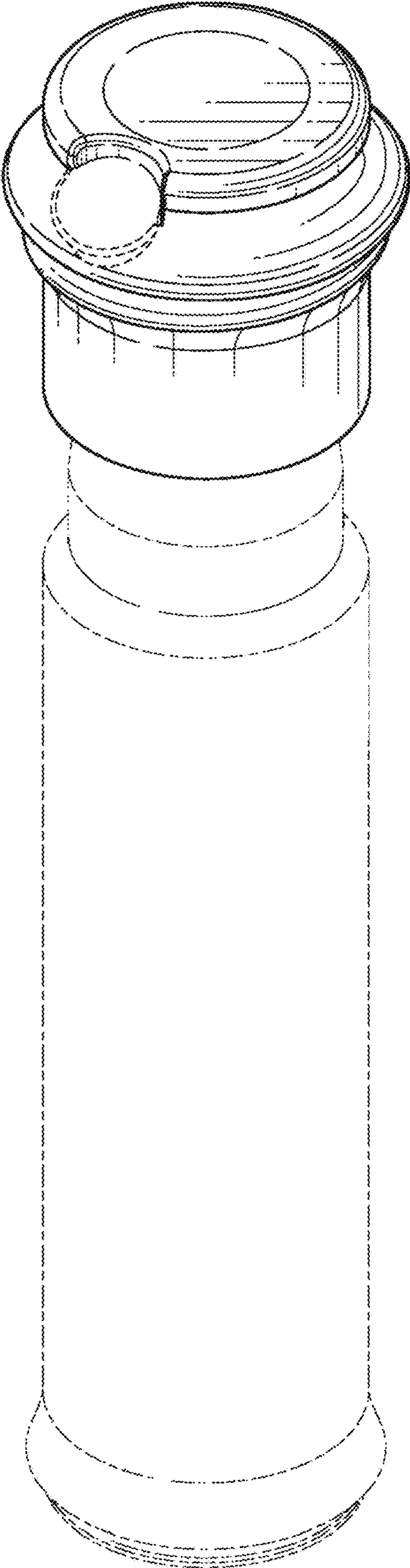


FIG. 7