



US00D958657S

(12) **United States Design Patent** (10) **Patent No.:** **US D958,657 S**
Priess et al. (45) **Date of Patent:** **** Jul. 26, 2022**

(54) **DISPENSING GUN FOR DISPENSING FLOWABLE PRODUCT FROM A PRESSURIZED CAN**

B65D 2547/06; B65D 2547/063; A47J 43/12; A47J 43/125; A47J 43/123; A47J 43/128

See application file for complete search history.

(71) Applicant: **Clayton Corporation**, Fenton, MO (US)

(56) **References Cited**

(72) Inventors: **Benjamin Cooper Priess**, Saint Charles, MO (US); **Max William Ryan**, St. Louis, MO (US)

U.S. PATENT DOCUMENTS

(73) Assignee: **Clayton Corporation**, Fenton, MO (US)

- 2,576,947 A * 12/1951 Larson A47J 43/121
261/33
- 2,699,890 A * 1/1955 Appel B65D 83/752
222/402.25
- D182,556 S * 4/1958 Werry D7/313
(Continued)

(**) Term: **15 Years**

FOREIGN PATENT DOCUMENTS

(21) Appl. No.: **29/789,827**

- CH 354049 A * 6/1961 A47J 43/128
- DE 2810996 A1 * 10/1978 A47J 43/128
(Continued)

(22) Filed: **Oct. 20, 2021**

Primary Examiner — Catherine A Tuttle
(74) *Attorney, Agent, or Firm* — Stinson LLP

Related U.S. Application Data

(63) Continuation of application No. 29/639,265, filed on Mar. 5, 2018, now abandoned.

(57) **CLAIM**

(51) **LOC (13) Cl.** **09-07**

The ornamental design for the dispensing gun for dispensing flowable product from a pressurized can, as shown and described.

(52) **U.S. Cl.**

USPC **D9/448**

DESCRIPTION

(58) **Field of Classification Search**

USPC D9/682–694, 500–505, 544–546, 549, D9/723, 724, 436, 447–449; D7/368, D7/397, 398, 669, 589, 590, 401.1, 412, D7/300.1, 313, 369; D23/223, 225, 226

CPC B05B 11/007; B05B 11/0089; B05B 11/0091; B05B 11/0094; B65D 83/14; B65D 83/20; B65D 83/201; B65D 83/202; B65D 83/203; B65D 83/205; B65D 83/207; B65D 83/22; B65D 83/30; B65D 83/303; B65D 83/306; B65D 83/40; B65D 83/46; B65D 83/48; B65D 83/752; B65D 83/753; B65D 83/7535; B65D 83/7532; B65D 83/757; B65D 47/06; B65D 47/065; B65D 47/066;

FIG. 1 is a front perspective of a dispensing gun for dispensing flowable product from a pressurized can showing our new design together with broken lines depicting a pressurized can.

FIG. 2 is a front elevational view thereof.

FIG. 3 is a right elevational view thereof.

FIG. 4 is a top plan view thereof.

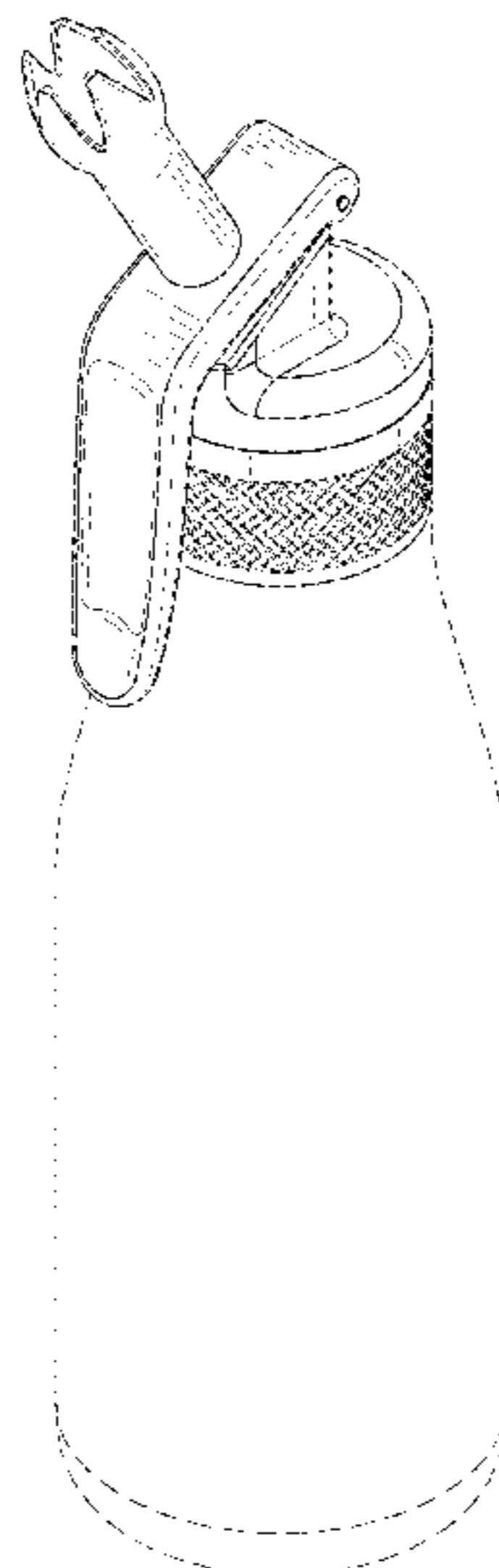
FIG. 5 is a rear elevational view thereof.

FIG. 6 is a left elevational view thereof; and,

FIG. 7 is a bottom plan view thereof.

Portions drawn in broken lines are for illustrative purposes only and form no part of the claimed design.

1 Claim, 7 Drawing Sheets



(56)

References Cited

U.S. PATENT DOCUMENTS

2,995,308 A * 8/1961 Ashkenaz A61M 19/00
239/302
4,669,639 A * 6/1987 Klarenbach B67D 1/0456
222/396
D333,616 S * 3/1993 Perkins D9/448
D391,455 S * 3/1998 Wallays D7/669
D627,639 S * 11/2010 Ziegler D9/448
D636,683 S * 4/2011 Floyd D9/688
D701,725 S * 4/2014 Wang D7/369
D727,167 S * 4/2015 Wilcox D9/688
D783,410 S * 4/2017 Bertaux D9/690
D797,560 S * 9/2017 Chen D9/503
D821,205 S * 6/2018 Christianson D9/503
D863,891 S * 10/2019 Pochtler D7/590
2005/0082312 A1 * 4/2005 Gruenewald A47J 43/121
222/1
2005/0193744 A1 * 9/2005 Cookings B65D 83/20
62/60
2006/0138178 A1 * 6/2006 Scheindel B65D 83/201
222/402.15
2011/0056988 A1 * 3/2011 Lion A47J 47/16
222/173
2011/0073621 A1 * 3/2011 Rueschhoff B65D 83/201
222/402.15

FOREIGN PATENT DOCUMENTS

DE 102009018528 A1 * 11/2010 B65D 83/206
FR 2970166 A3 * 7/2012 A47J 43/128
WO WO-2005082743 A2 * 9/2005 B65D 83/44
WO WO-2008033005 A1 * 3/2008 B65D 83/757

* cited by examiner

FIG. 1

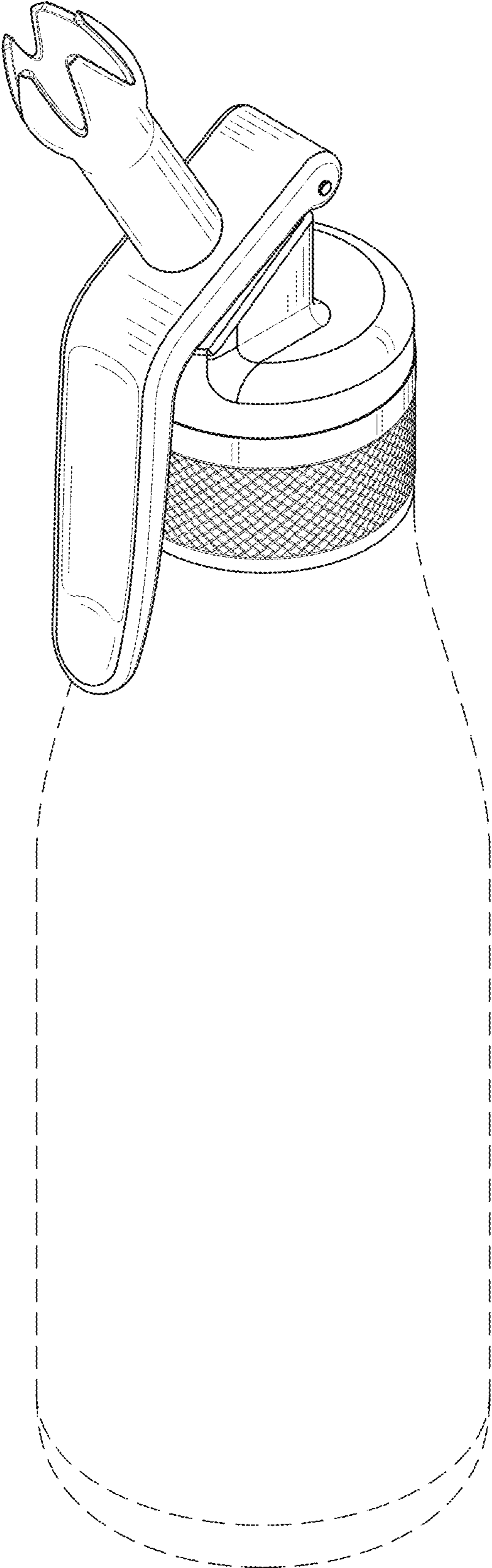


FIG. 2

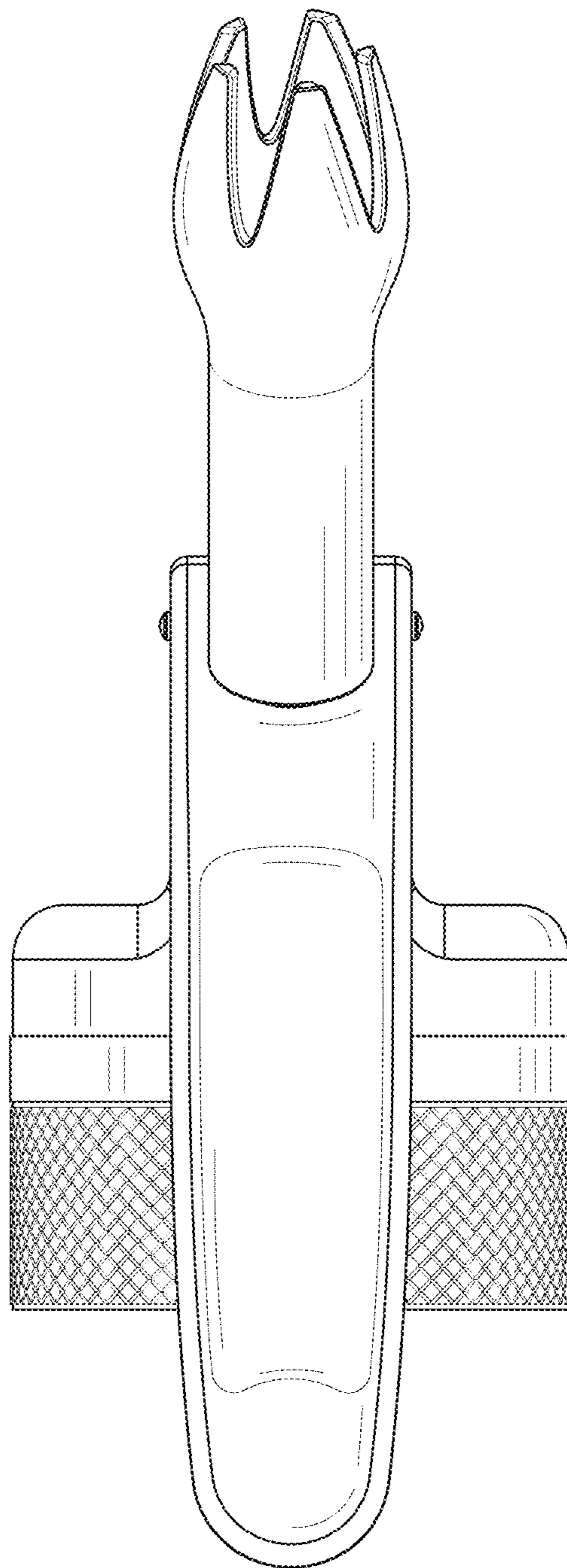


FIG. 3

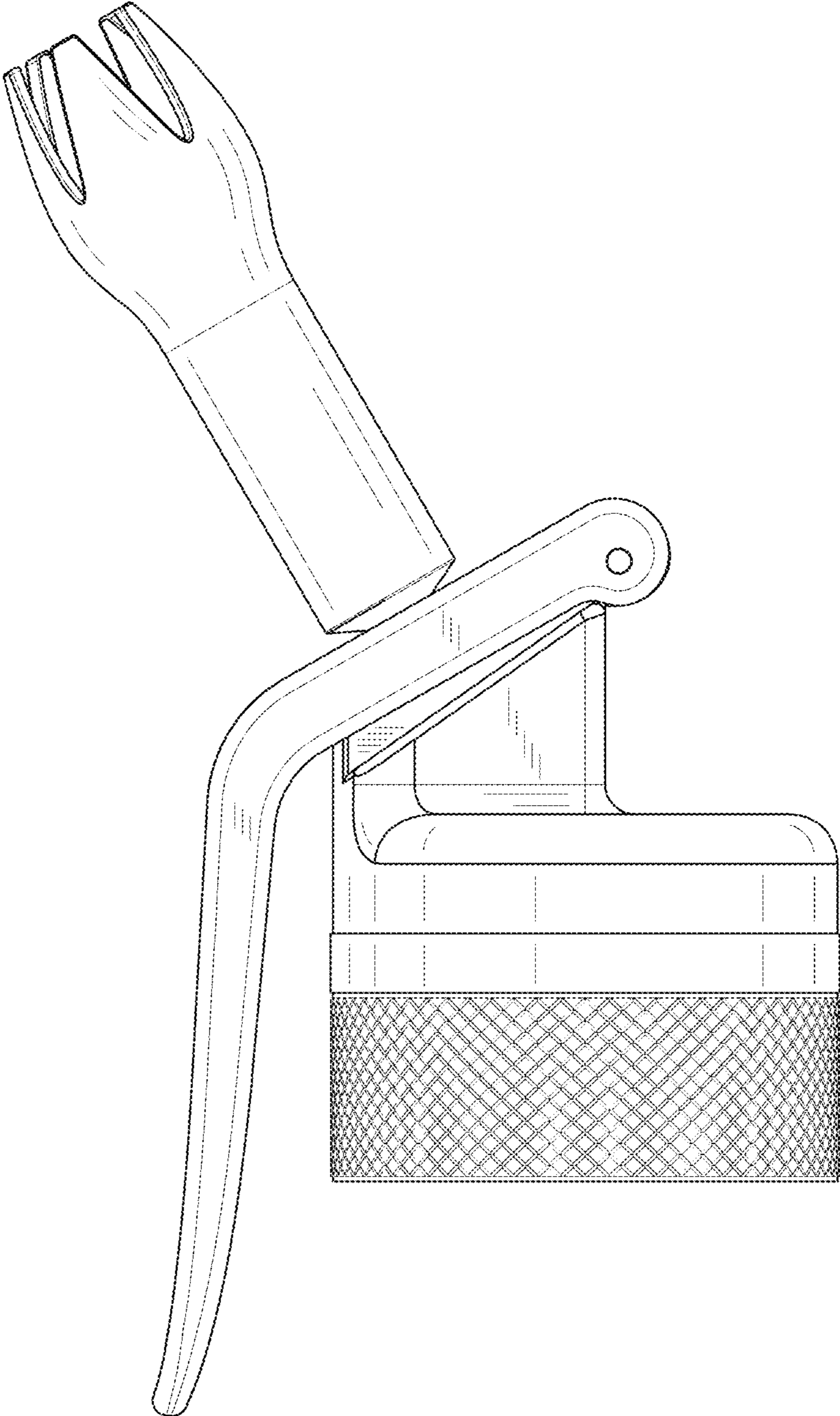


FIG. 4

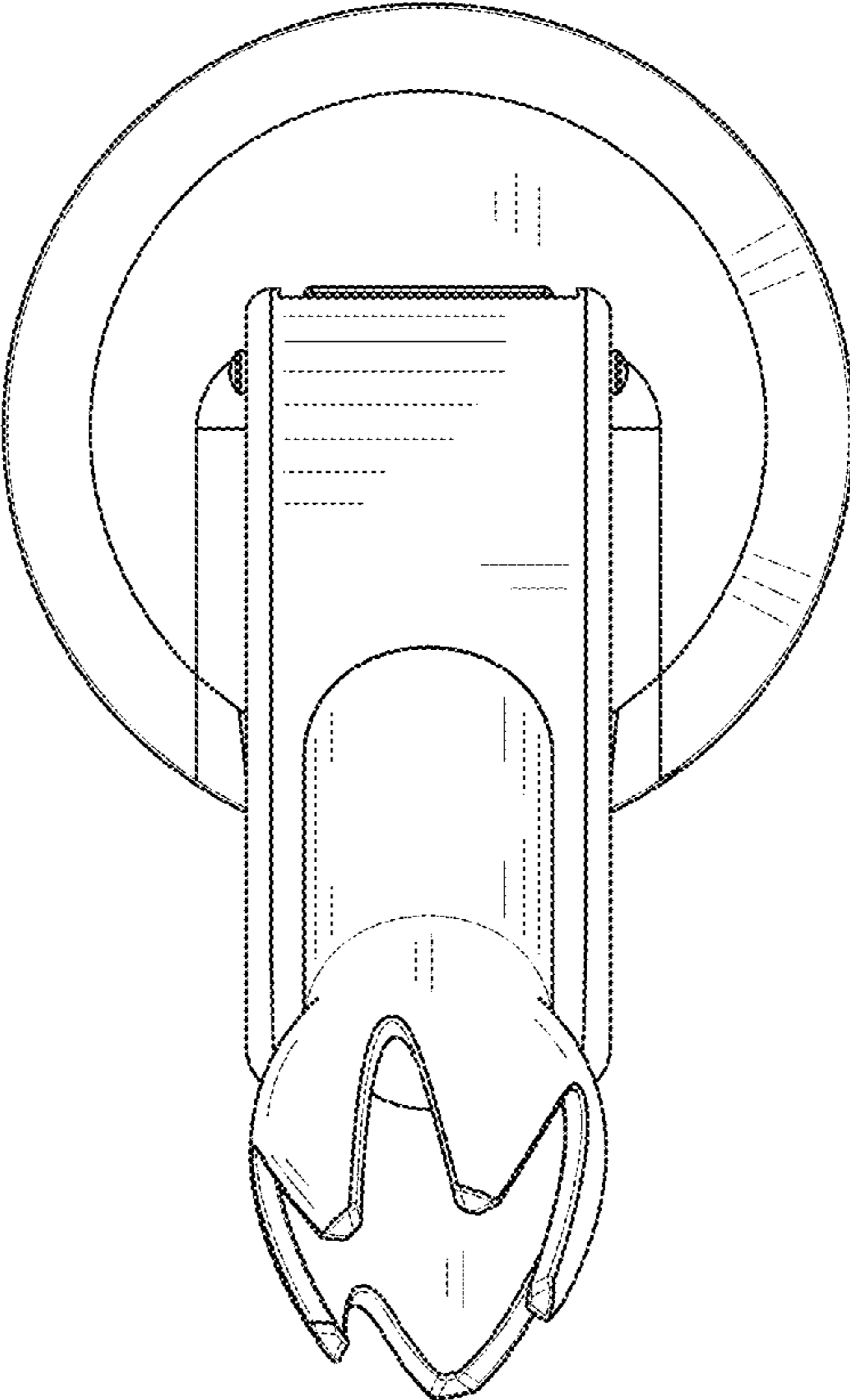


FIG. 5

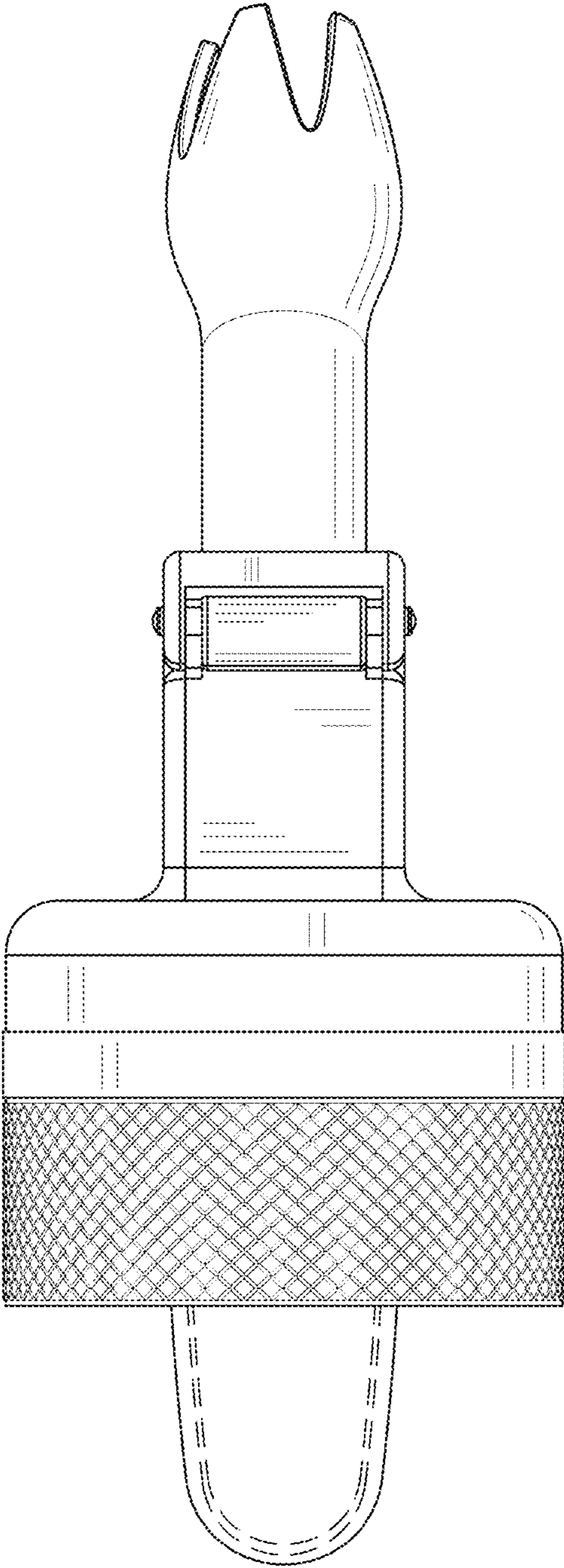


FIG. 6

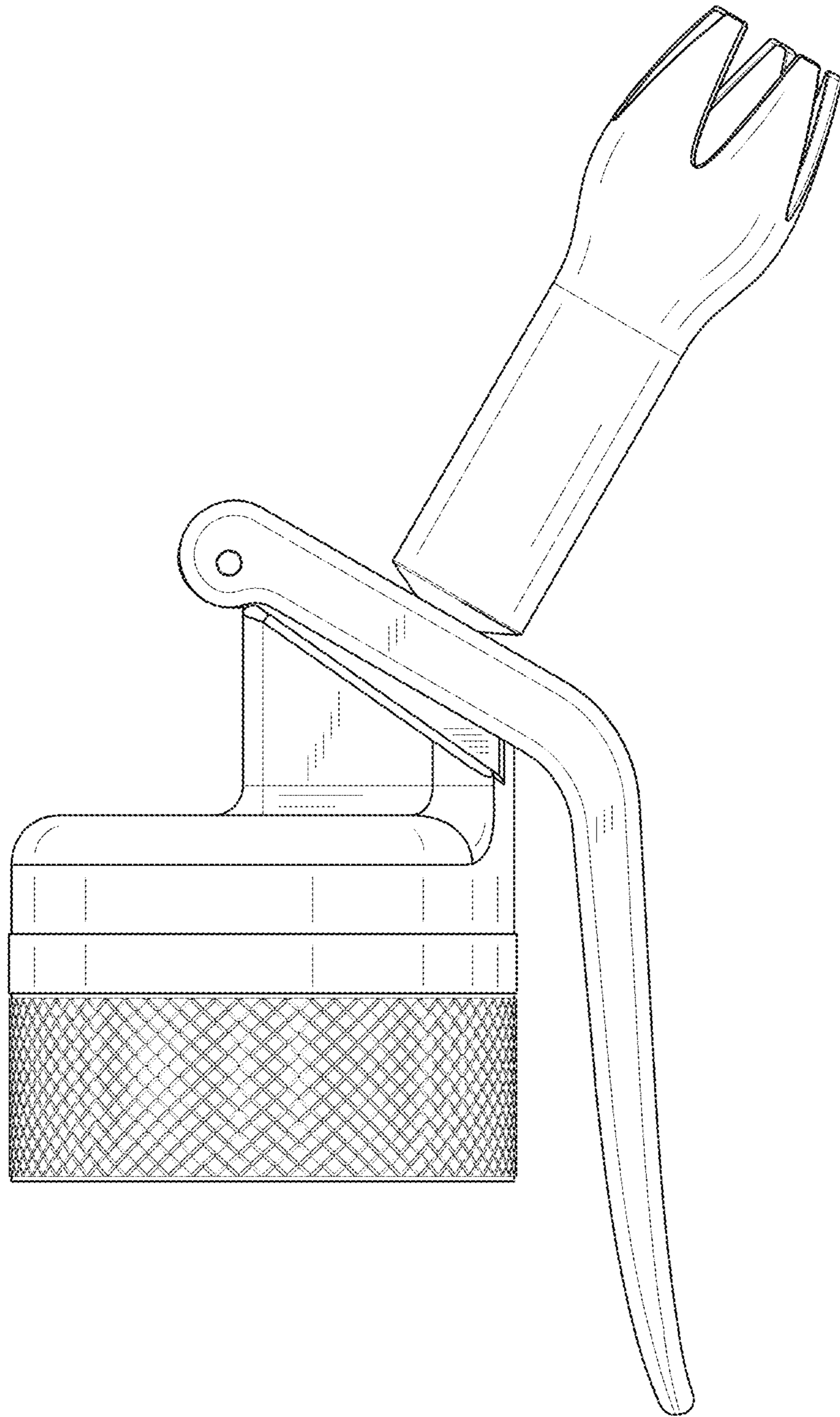


FIG. 7

