



US00D958656S

(12) **United States Design Patent** (10) **Patent No.:** **US D958,656 S**
Lupberger et al. (45) **Date of Patent:** **** Jul. 26, 2022**

(54) **DETERGENT BOTTLE SPOUT**
(71) Applicant: **Bocks Inc.**, New York, NY (US)
(72) Inventors: **Ryan Lupberger**, New York, NY (US);
Zachary Bedrosian, New York, NY (US)
(73) Assignee: **Bocks Inc.**, New York, NY (US)

D708,900 S 7/2014 Hakim
D713,671 S 9/2014 De Leo
D716,654 S 11/2014 Dubitsky
D741,645 S * 10/2015 Lau D7/397
D748,490 S 2/2016 Allen
D756,773 S 5/2016 Brannock
D763,688 S 8/2016 Breit
D766,084 S 9/2016 Jiang
D781,708 S 3/2017 Jasso Gomez
(Continued)

(**) Term: **15 Years**

OTHER PUBLICATIONS

(21) Appl. No.: **29/735,354**
(22) Filed: **May 20, 2020**
(51) **LOC (13) Cl.** **09-07**
(52) **U.S. Cl.**
USPC **D9/447**
(58) **Field of Classification Search**
USPC D7/392, 392.1, 396.2, 398; D9/434, 435,
D9/436, 439, 440, 443, 447, 454, 499,
D9/452, 453
CPC B65D 41/00; B65D 41/04; B65D 41/26;
B65D 47/00; B65D 47/043; B65D 47/06
See application file for complete search history.

Amazon. Cleancult Glass Liquid Laundry Detergent Dispenser, 20 oz, Empty, Refillable and Reusable Glass Container, 2 Pack—Periwinkle. Jan. 27, 2022. <https://www.amazon.com/Cleancult-Detergent-Dispenser-Refillable-Container/dp/B09RFYK2L3?th=1> (Year: 2022).*

Primary Examiner — Darcey E Gottschalk
(74) *Attorney, Agent, or Firm* — Ignacio Bellver

(57) **CLAIM**

The ornamental design for a detergent bottle spout, as shown and described.

DESCRIPTION

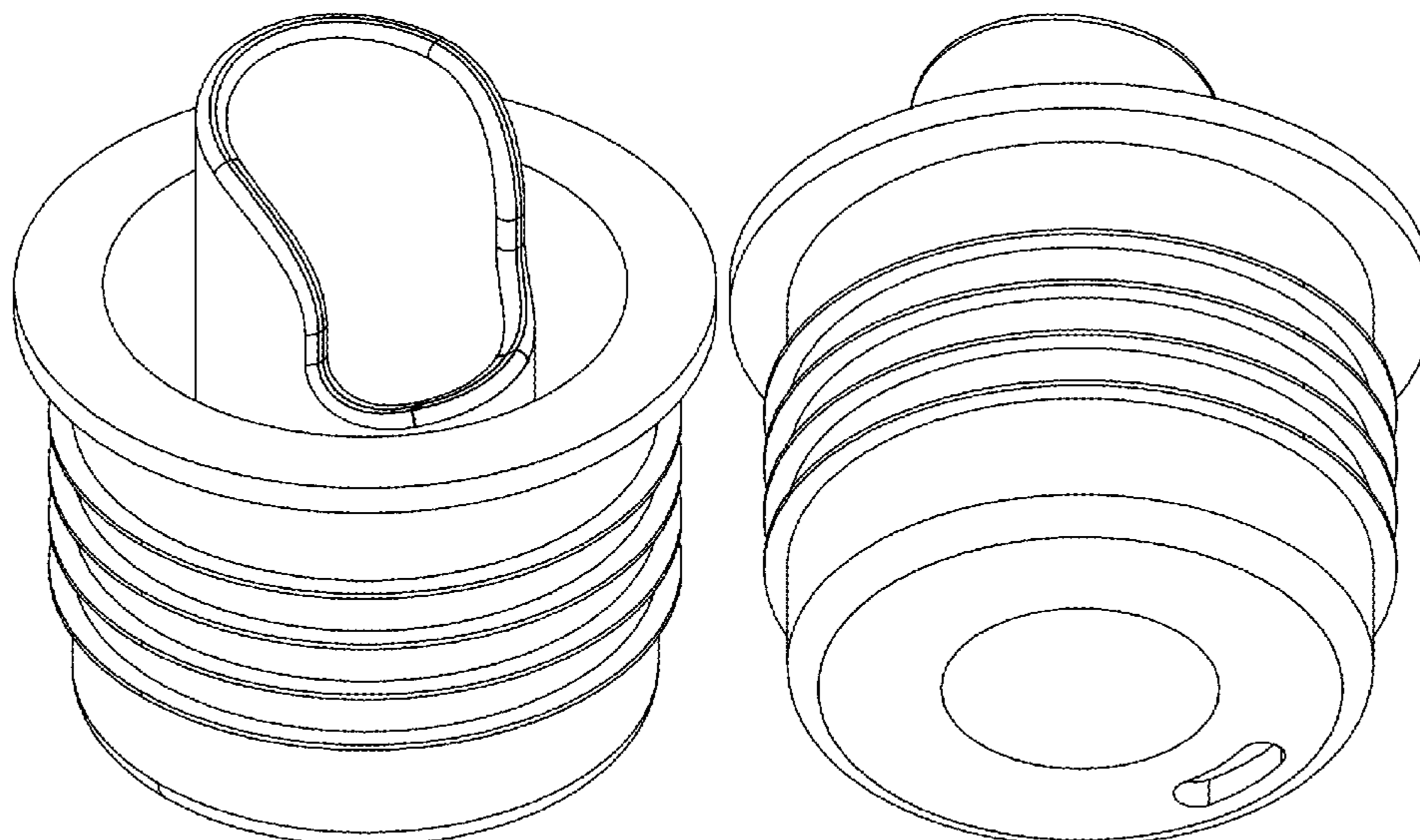
FIG. 1 is a top right perspective view of a detergent bottle spout showing the new design;
FIG. 2 is a front side plain view thereof;
FIG. 3 is a right side plain view thereof;
FIG. 4 is a left side plain view thereof;
FIG. 5 is a top plain view thereof;
FIG. 6 is a cross sectional view of the detergent bottle spout, taken along lines 6-6 of FIG. 5;
FIG. 7 is a bottom left perspective view thereof; and,
FIG. 8 is a bottom plain view our detergent bottle spout design.
In FIG. 5, the broken line represents a sectional designation that forms no part of the claim.

(56) **References Cited**

U.S. PATENT DOCUMENTS

1,914,598 A * 6/1933 Feig B65D 23/065
D7/398
D286,027 S * 10/1986 Waher D9/449
D286,508 S 11/1986 Tilden
D292,492 S * 10/1987 Ross D9/453
D355,119 S * 2/1995 Zimmermann D9/440
D399,423 S * 10/1998 Palestrant D9/447
D417,847 S 12/1999 Rush
D471,808 S * 3/2003 de Castro Couto D9/435
D501,359 S * 2/2005 Bodum D7/397
D668,502 S 10/2012 Sakulsacha
D681,456 S * 5/2013 Agarwal D7/398
D694,625 S * 12/2013 Maxwell D9/454
D701,764 S * 4/2014 Brower D9/440
D702,493 S * 4/2014 Tang D7/700

1 Claim, 8 Drawing Sheets



(56)

References Cited

U.S. PATENT DOCUMENTS

| | | | | |
|--------------|------|---------|---------------|------------------------|
| D812,474 | S | 3/2018 | Rust | |
| D823,115 | S * | 7/2018 | Walker | D9/447 |
| 2006/0000855 | A1 * | 1/2006 | Allen | B65D 47/06 222/484 |
| 2006/0138180 | A1 * | 6/2006 | Giblin | B65D 41/26 222/570 |
| 2009/0045224 | A1 * | 2/2009 | Faaborg | B65D 41/0471 215/44 |
| 2014/0263466 | A1 * | 9/2014 | Gringer | B65D 47/06 222/367 |
| 2017/0320631 | A1 * | 11/2017 | Sprick | B65D 41/04 |
| 2018/0009580 | A1 * | 1/2018 | Kieffer | B65D 47/40 |
| 2019/0135492 | A1 * | 5/2019 | Sprick | B65D 1/023 |
| 2020/0299031 | A1 * | 9/2020 | Sprick | B65D 25/48 |

* cited by examiner

FIG. 1

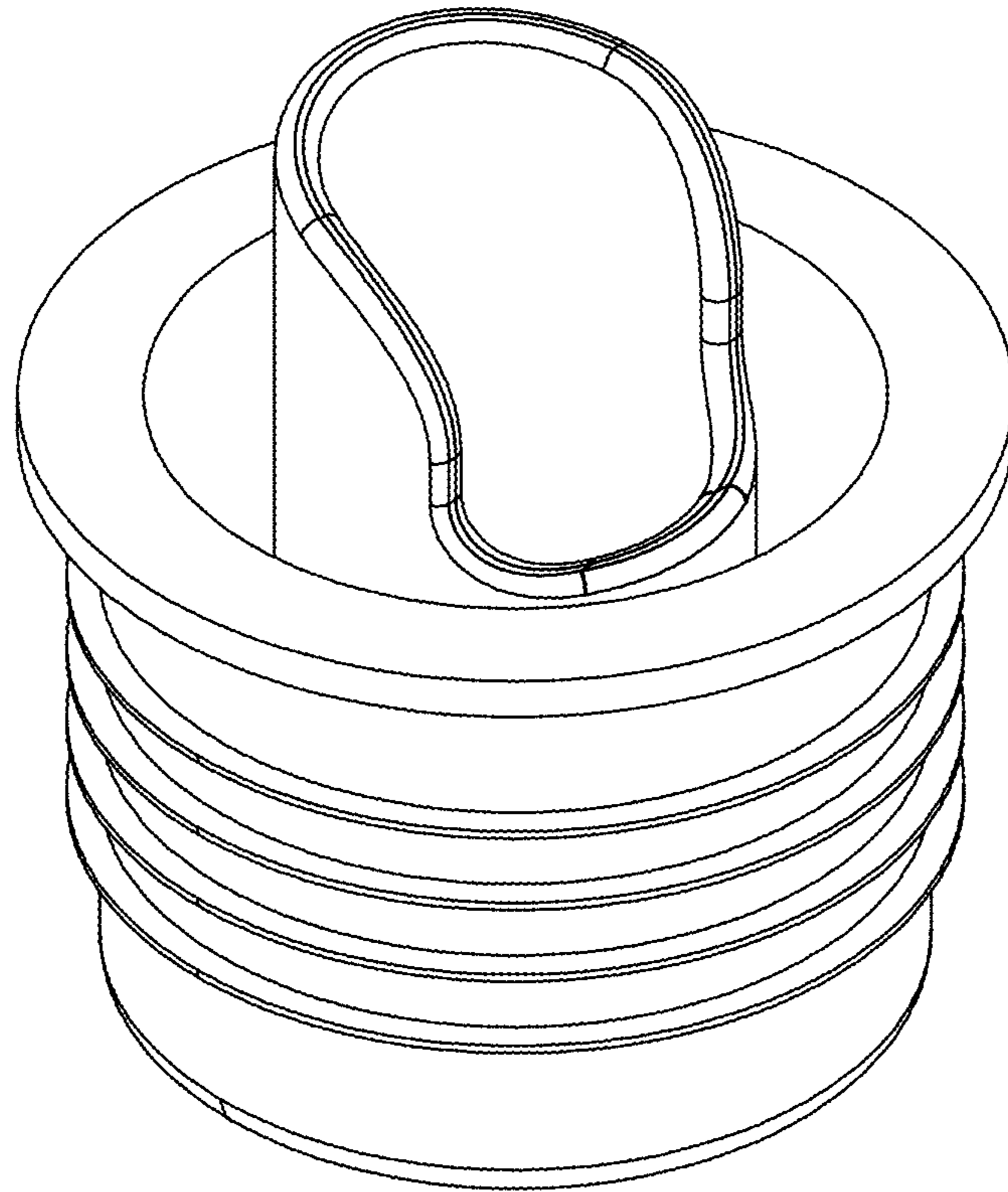


FIG. 2

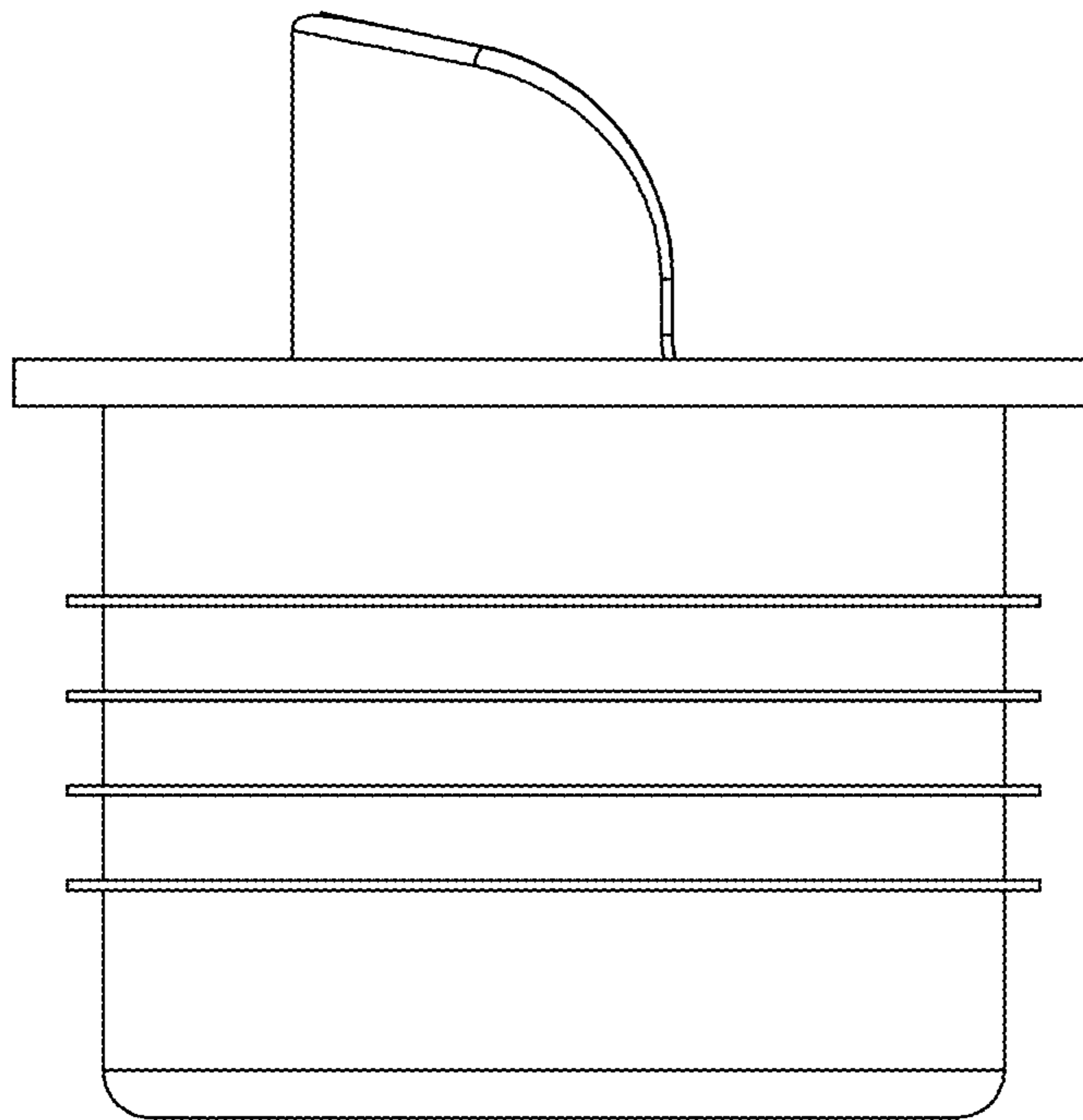


FIG. 3

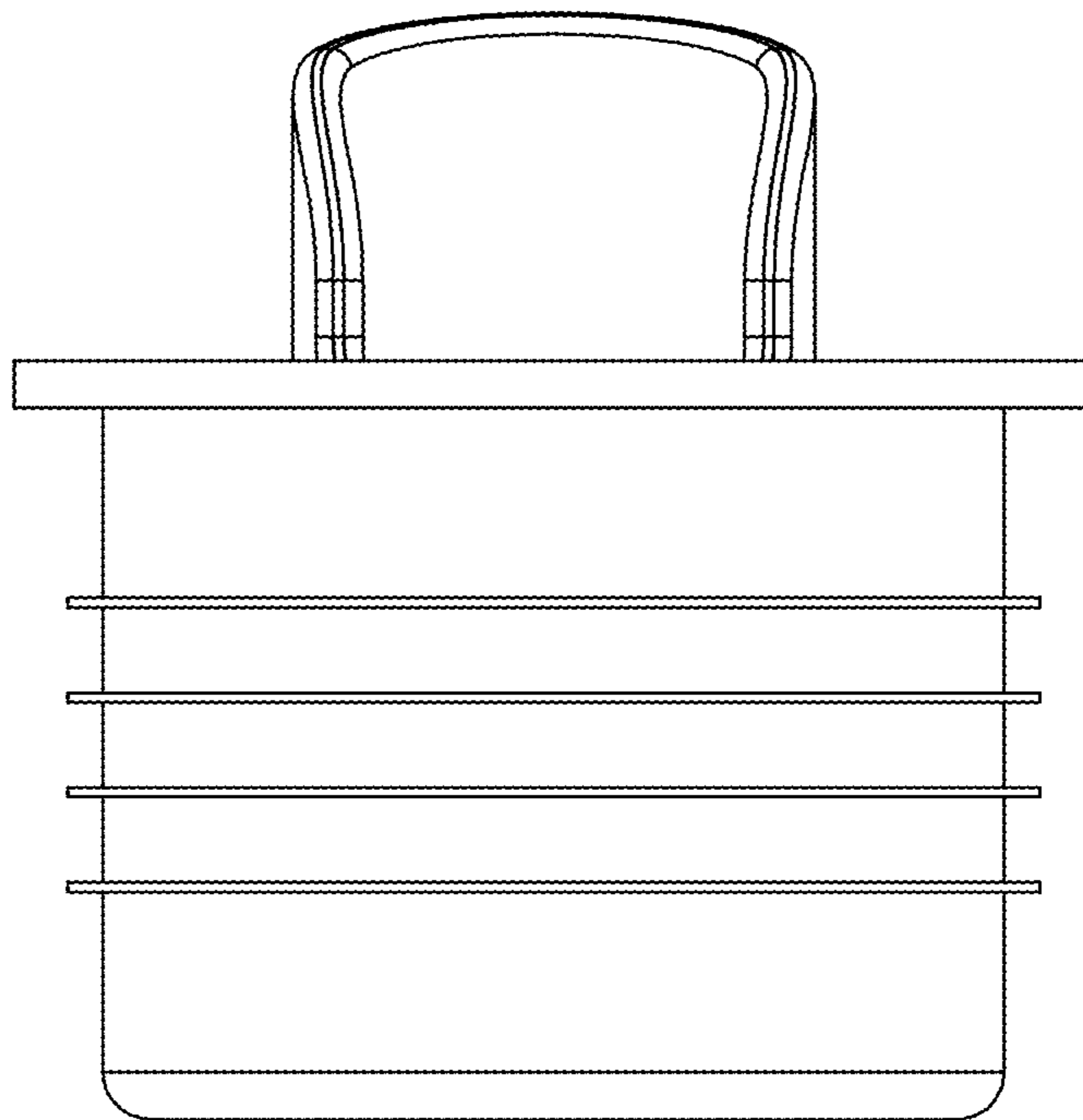


FIG. 4

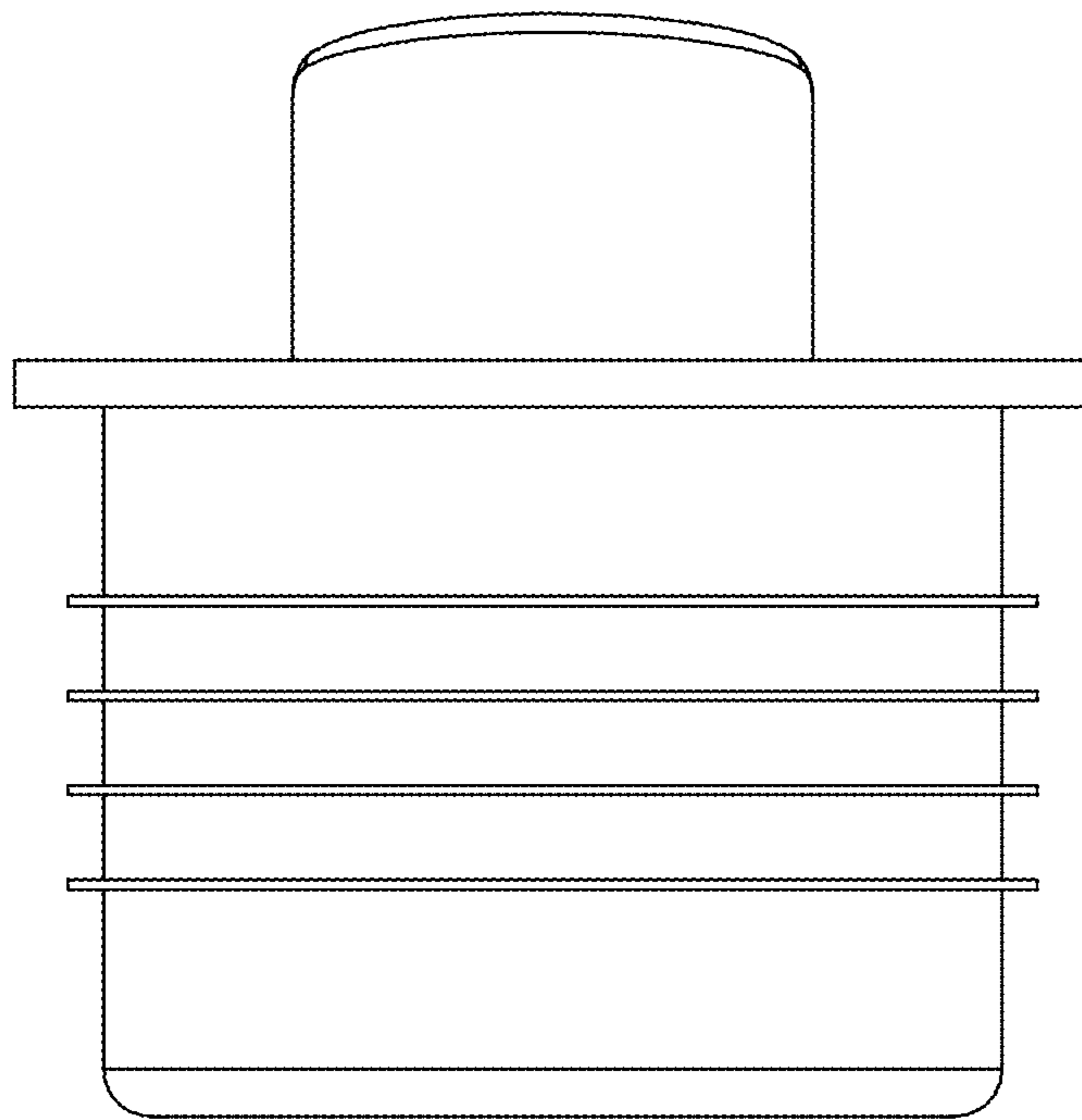


FIG. 5

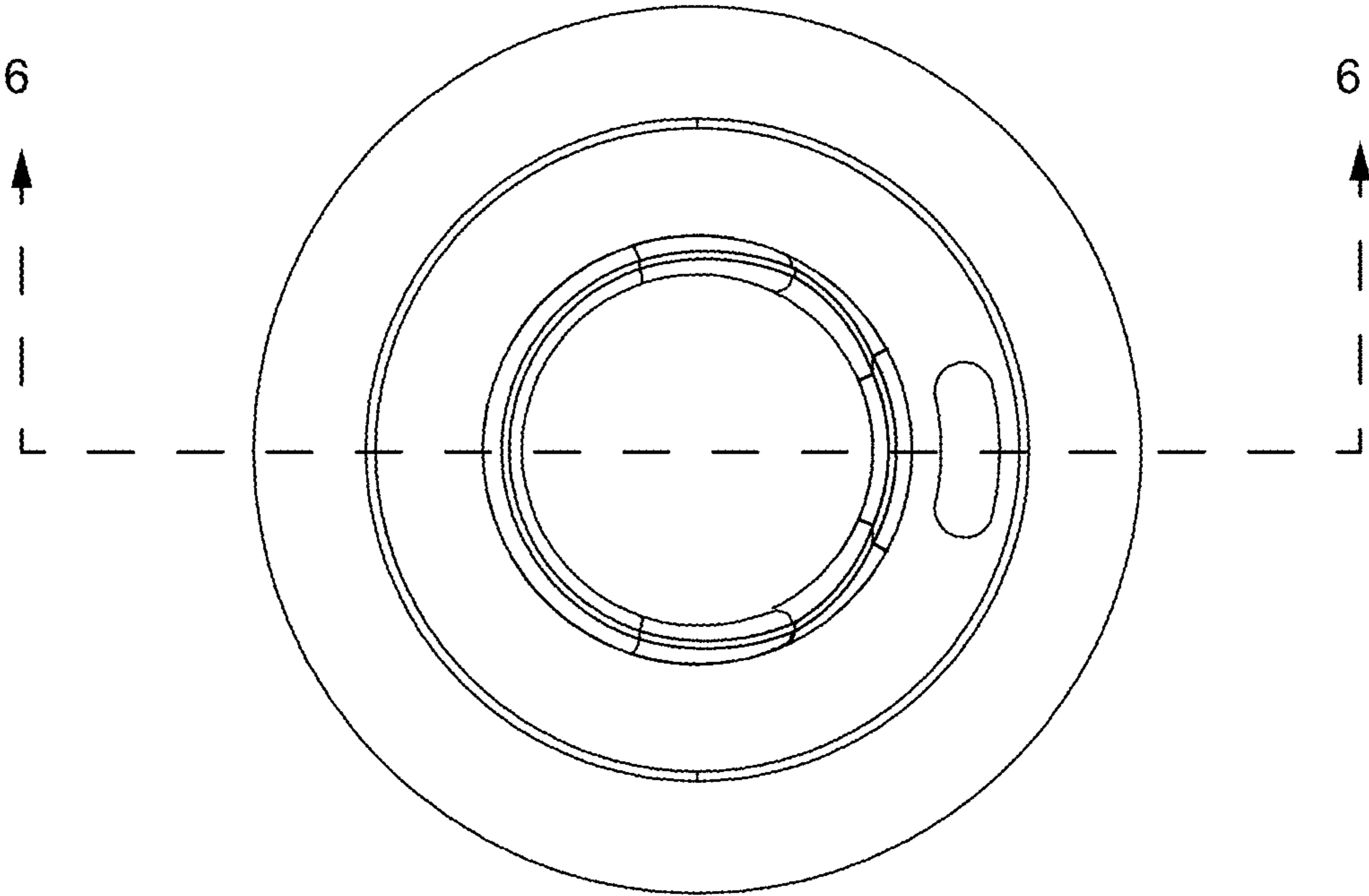


FIG. 6

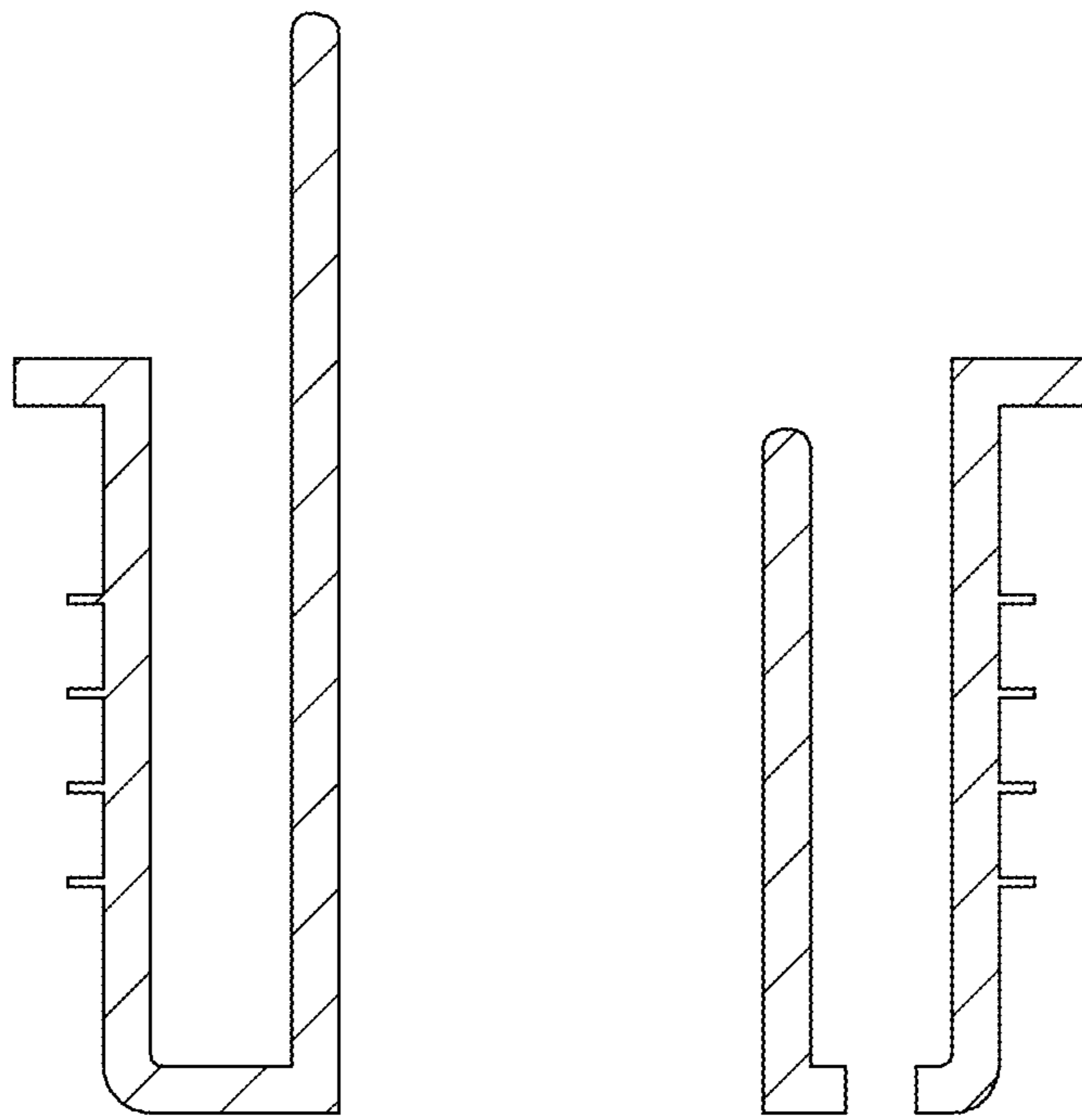


FIG. 7

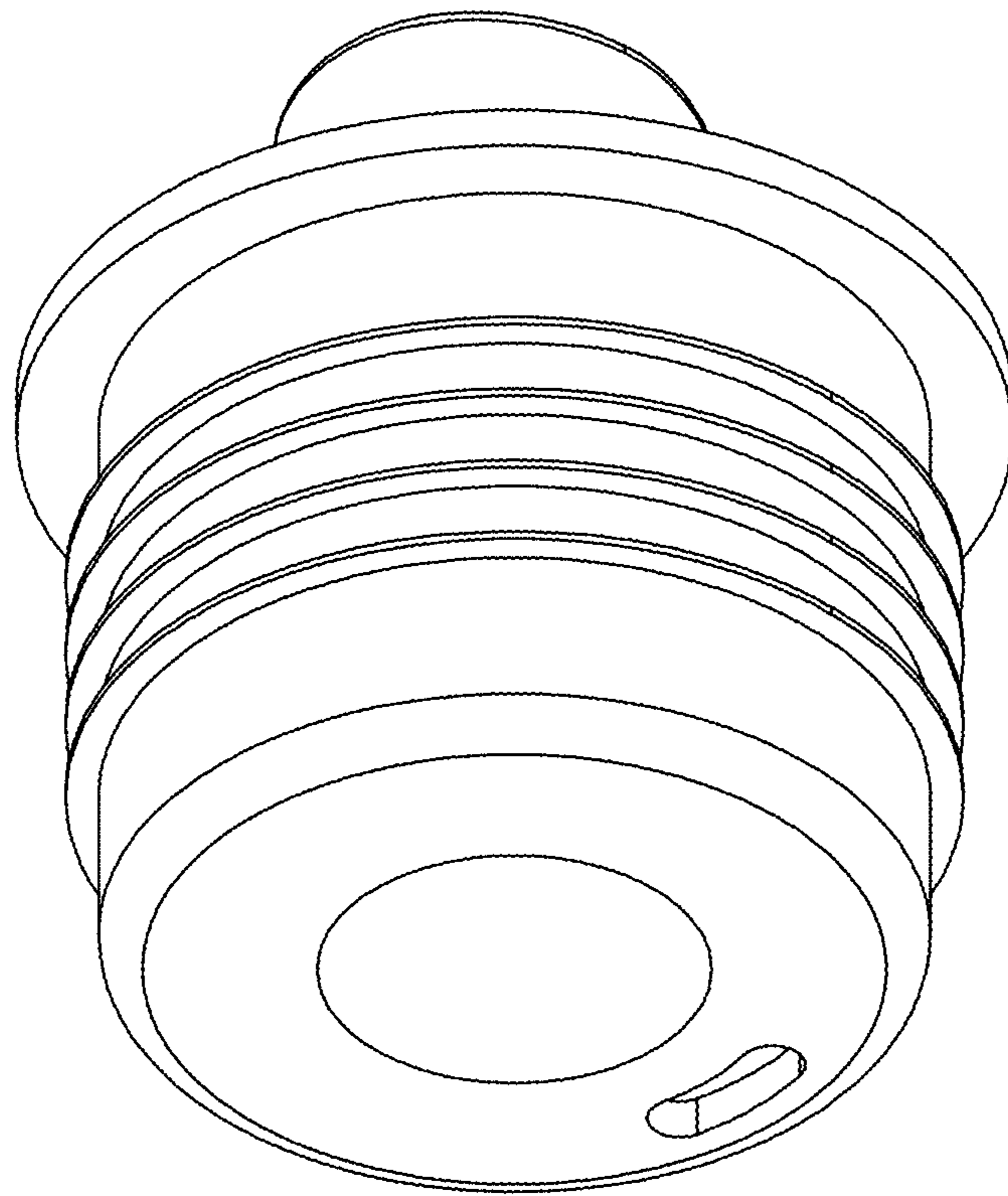


FIG. 8

