



US00D958655S

(12) **United States Design Patent**
Eagan

(10) **Patent No.:** **US D958,655 S**

(45) **Date of Patent:** **** Jul. 26, 2022**

(54) **LID WITH SCOOP**

(71) Applicant: **George Eagan**, Birmingham, AL (US)

(72) Inventor: **George Eagan**, Birmingham, AL (US)

(**) Term: **15 Years**

(21) Appl. No.: **29/730,248**

(22) Filed: **Apr. 2, 2020**

(51) **LOC (13) Cl.** **09-07**

(52) **U.S. Cl.**

USPC **D9/436**; D9/717; D9/449

(58) **Field of Classification Search**

USPC D7/392, 392.1, 396.2; D9/434–436, 439,
D9/440, 443–447, 449, 452, 454, 499,
D9/715–718

CPC B65D 2543/00046; B65D 2543/00092;
B65D 2543/00537; B65D 47/06; B65D
47/08; B65D 47/242; B65D 47/103;
B65D 43/16; B65D 43/0222; B65D
51/242; A47G 19/22; A47G 19/2205;
A47G 19/2272

See application file for complete search history.

(56) **References Cited**

U.S. PATENT DOCUMENTS

D595,085 S *	6/2009	Carlson	D7/392
D630,905 S *	1/2011	Cornu	D7/629
D677,119 S *	3/2013	Ying	D7/392.1
9,366,468 B2 *	6/2016	Roth	B65D 77/0493
D835,457 S *	12/2018	Sedgwick	D7/392.1
D835,458 S *	12/2018	Sedgwick	D7/392.1
D835,459 S *	12/2018	Sedgwick	D7/392.1
D862,157 S *	10/2019	Barber	D7/392.1

D884,472 S *	5/2020	Matauch	D9/447
D901,237 S *	11/2020	Matauch	D7/392.1
D911,169 S *	2/2021	Matauch	D9/447
D937,037 S *	11/2021	Chen	D7/392.1
2004/0035867 A1 *	2/2004	Schultz	B65D 51/249 220/212

OTHER PUBLICATIONS

Modesens. Nambe. Cooper Canister With Scoop In Glass/ Acacia. Oct. 2020. <https://modesens.com/product/nambe-cooper-canister-with-scoop-in-glassacacia-at-nordstrom-glass-acacia-24188987/> (Year: 2020).*

* cited by examiner

Primary Examiner — Darcey E Gottschalk

(74) *Attorney, Agent, or Firm* — AdamsIP, LLC; Edward B Garner, III; James H Adams

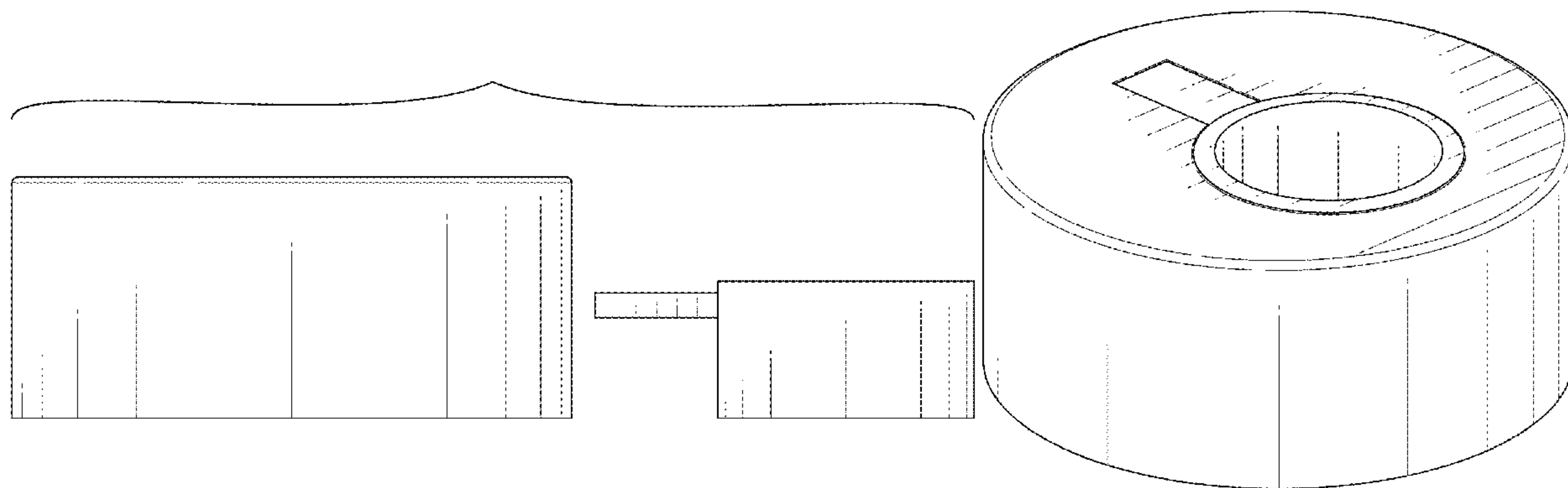
(57) **CLAIM**

The ornamental design for a lid with scoop, as shown and described.

DESCRIPTION

FIG. 1 is an exploded front view of a lid with scoop; FIG. 2 is an exploded rear view thereof; FIG. 3 is an exploded left side view thereof; FIG. 4 is an exploded right side view thereof; FIG. 5 is an exploded top plan view thereof; FIG. 6 is an exploded bottom plan view thereof; and, FIG. 7 is a front perspective view of a lid with scoop showing the claimed design with the scoop inside the lid. In the drawings, the broken line shows portions of a lid with scoop that forms no part of the claim.

1 Claim, 5 Drawing Sheets



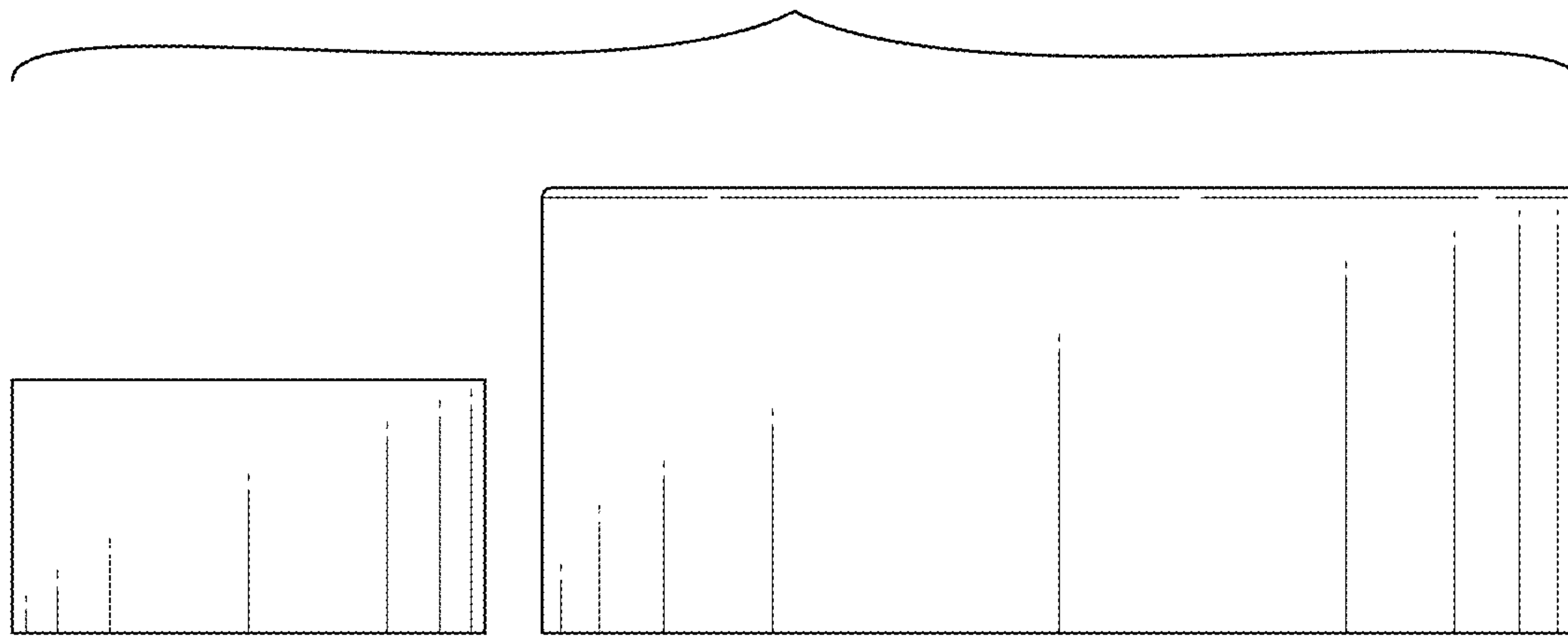


FIG. 1

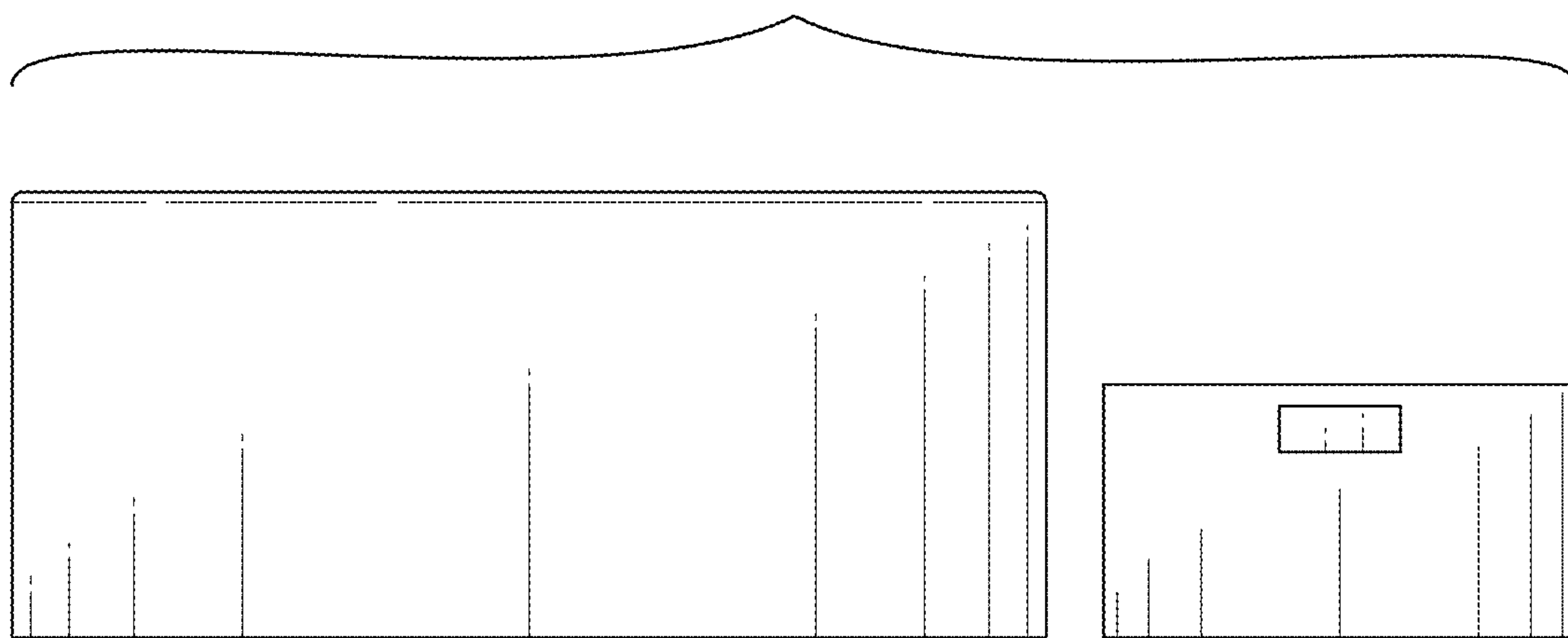


FIG. 2

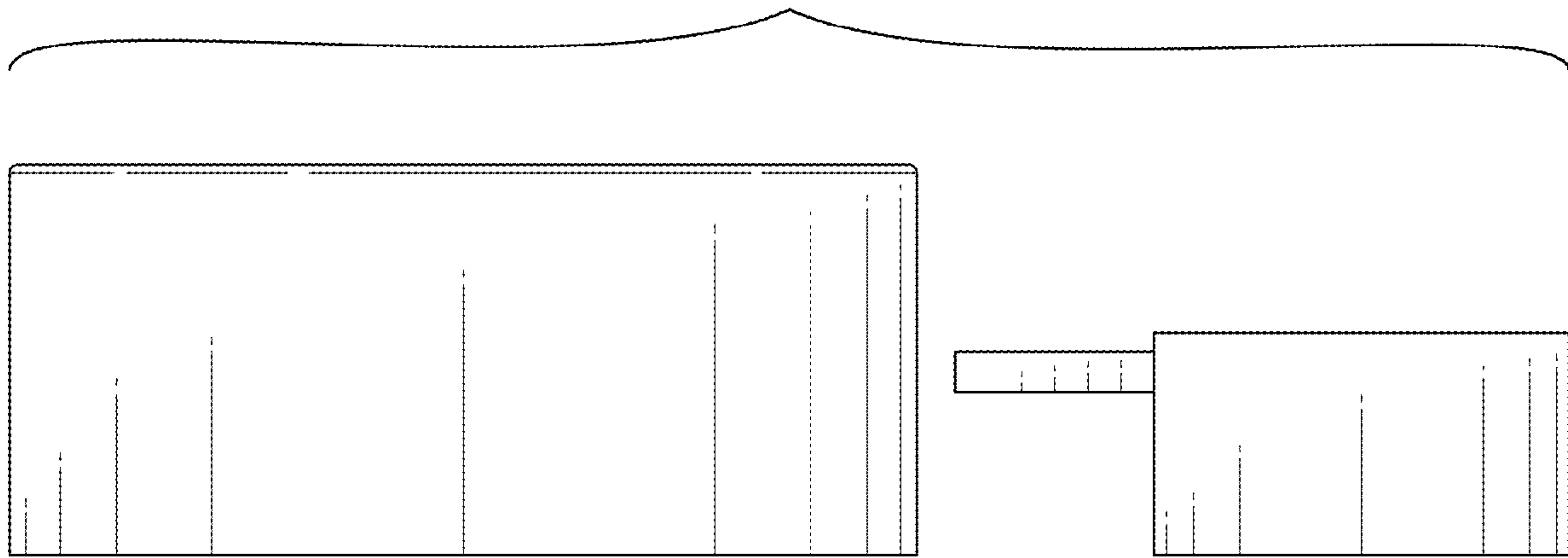


FIG. 3

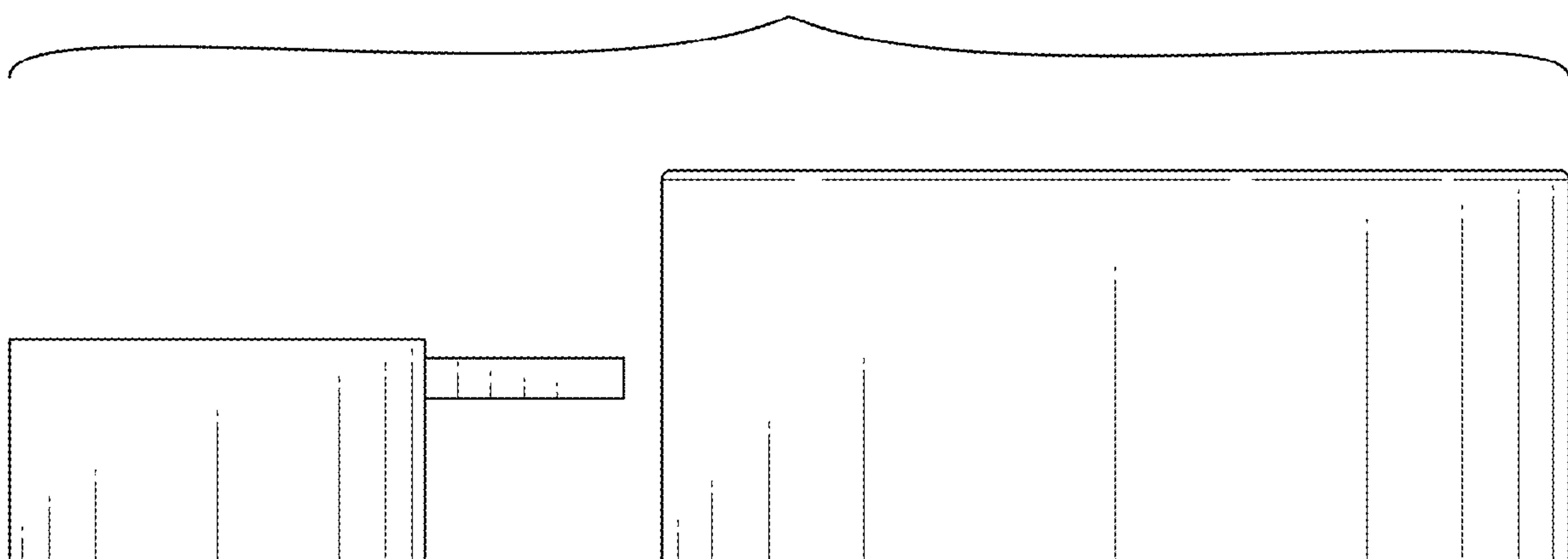


FIG. 4

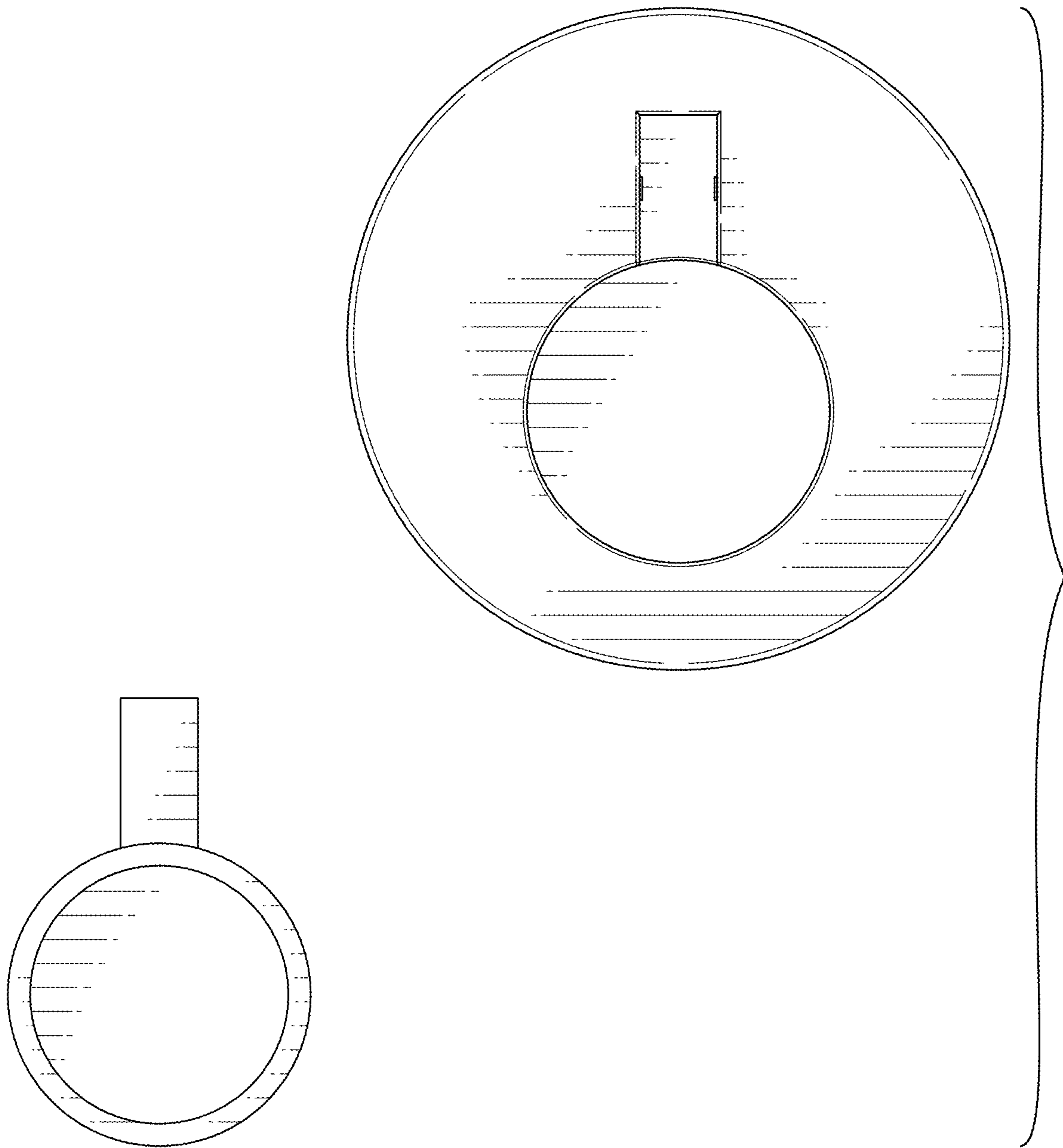


FIG. 5

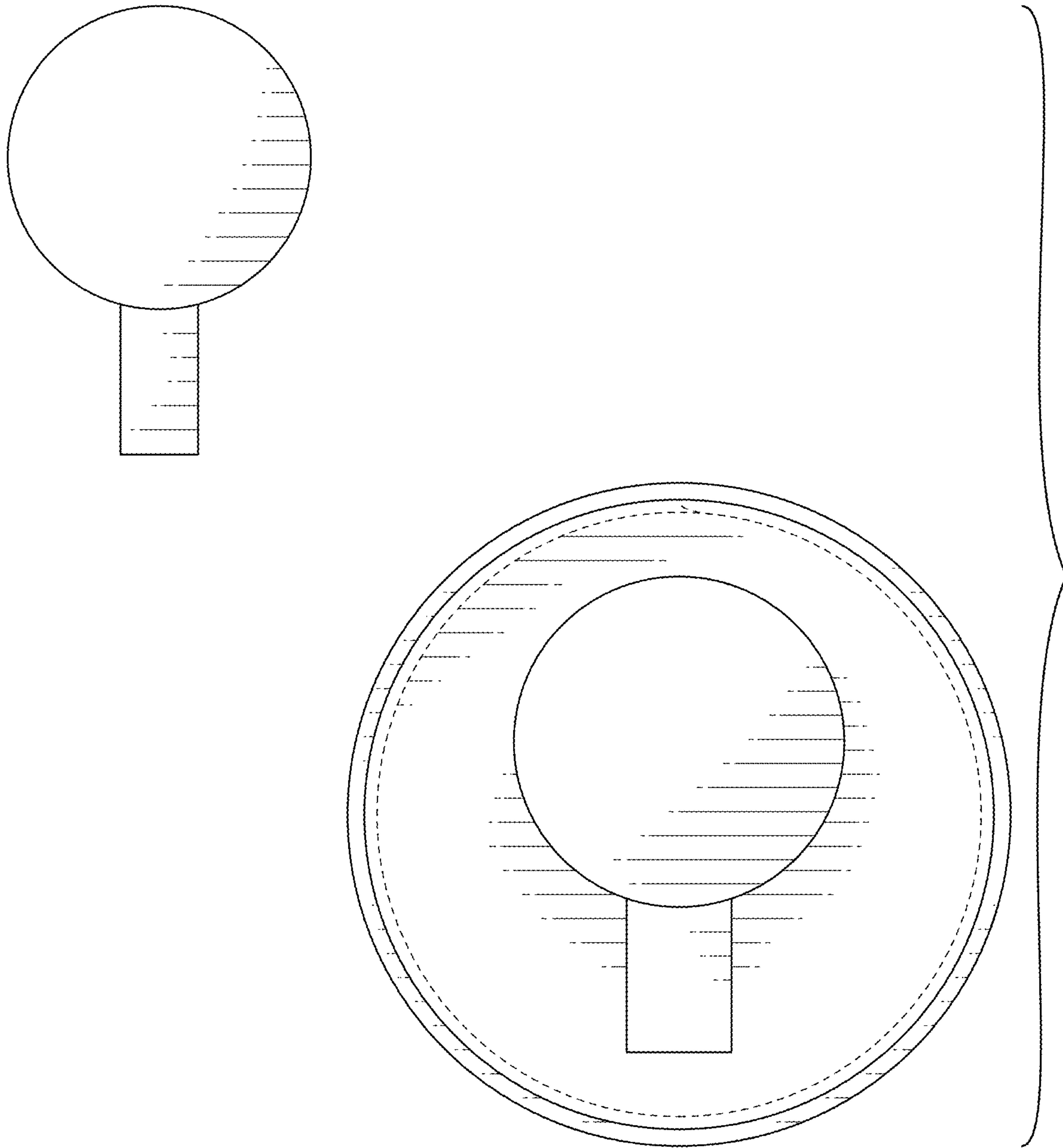


FIG. 6

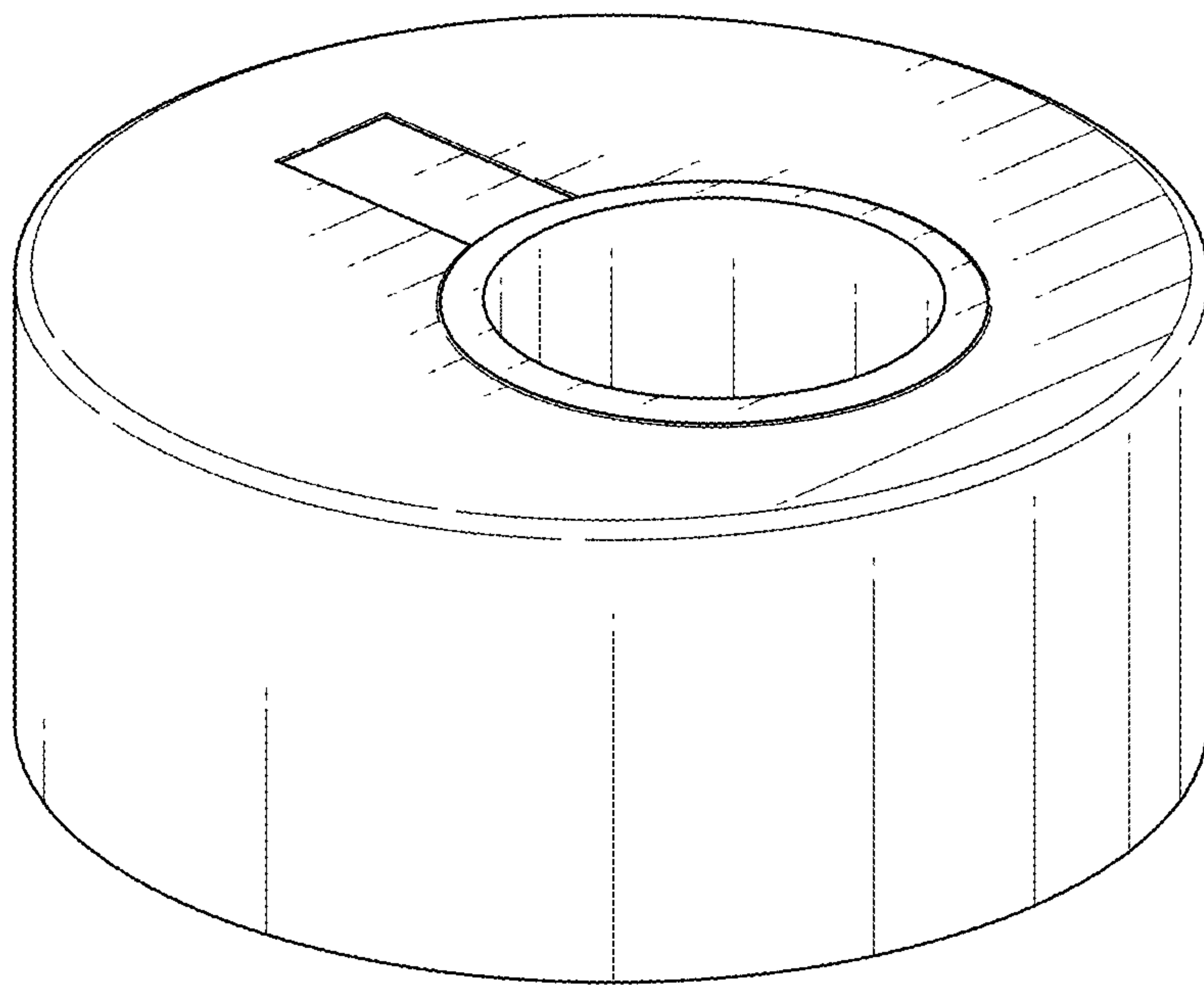


FIG. 7