



US00D958654S

(12) **United States Design Patent**
Lupberger et al.

(10) **Patent No.:** **US D958,654 S**
(45) **Date of Patent:** **** Jul. 26, 2022**

- (54) **DETERGENT BOTTLE CAP**
- (71) Applicant: **Bocks Inc.**, New York, NY (US)
- (72) Inventors: **Ryan Lupberger**, New York, NY (US);
Zachary Bedrosian, New York, NY (US);
Sina Sohrab, New York, NY (US);
Joseph Guerra, New York, NY (US)

- D205,425 S 8/1966 Porter
- D208,118 S 7/1967 Roth
- 3,419,172 A 12/1968 Lee
- D214,263 S 5/1969 McConnel
- D235,315 S * 6/1975 Kotuby D9/448
- D240,021 S * 5/1976 Lawhead D9/439
- D241,416 S 9/1976 Aul
- D241,919 S * 10/1976 Best D9/439
- D248,873 S * 8/1978 Raitto D9/454
- D286,027 S * 10/1986 Waher D9/449

(Continued)

- (73) Assignee: **Bocks Inc.**, New York, NY (US)
- (**) Term: **15 Years**

- (21) Appl. No.: **29/734,097**
- (22) Filed: **May 8, 2020**
- (51) **LOC (13) Cl.** **09-07**
- (52) **U.S. Cl.**
USPC **D9/435**; D9/439
- (58) **Field of Classification Search**
USPC D7/392, 392.1, 396.2, 398; D9/434, 435,
D9/436, 439, 440, 443, 447, 454, 499
CPC B65D 41/00; B65D 41/04; B65D 41/26;
B65D 47/00; B65D 47/043; B65D 47/06
See application file for complete search history.

(56) **References Cited**

U.S. PATENT DOCUMENTS

- 1,524,202 A * 1/1925 Nottingham A47L 23/08
401/52
- 1,978,455 A 10/1934 Geerlings
- D140,872 S * 4/1945 Segerlund D9/440
- D142,983 S * 11/1945 Branen 220/288
- 2,487,728 A * 11/1949 Quiring B65D 50/067
215/217
- D181,629 S 12/1957 Cochran
- 3,021,977 A 4/1960 Hester
- D189,374 S 11/1960 Harris
- D198,818 S 8/1964 Stull
- 3,163,318 A 12/1964 Frank
- D200,673 S 3/1965 Warden

OTHER PUBLICATIONS

Amazon. Cleancult Glass Liquid Laundry Detergent Dispenser, 20 oz, Empty, Refillable and Reusable Glass Container, 2 Pack—Periwinkle. Jan. 27, 2022. <https://www.amazon.com/Cleancult-Detergent-Dispenser-Refillable-Container/dp/B09RFYK2L3?th=1> (Year: 2022).*

(Continued)

Primary Examiner — Darcey E Gottschalk
(74) *Attorney, Agent, or Firm* — Ignacio Bellver

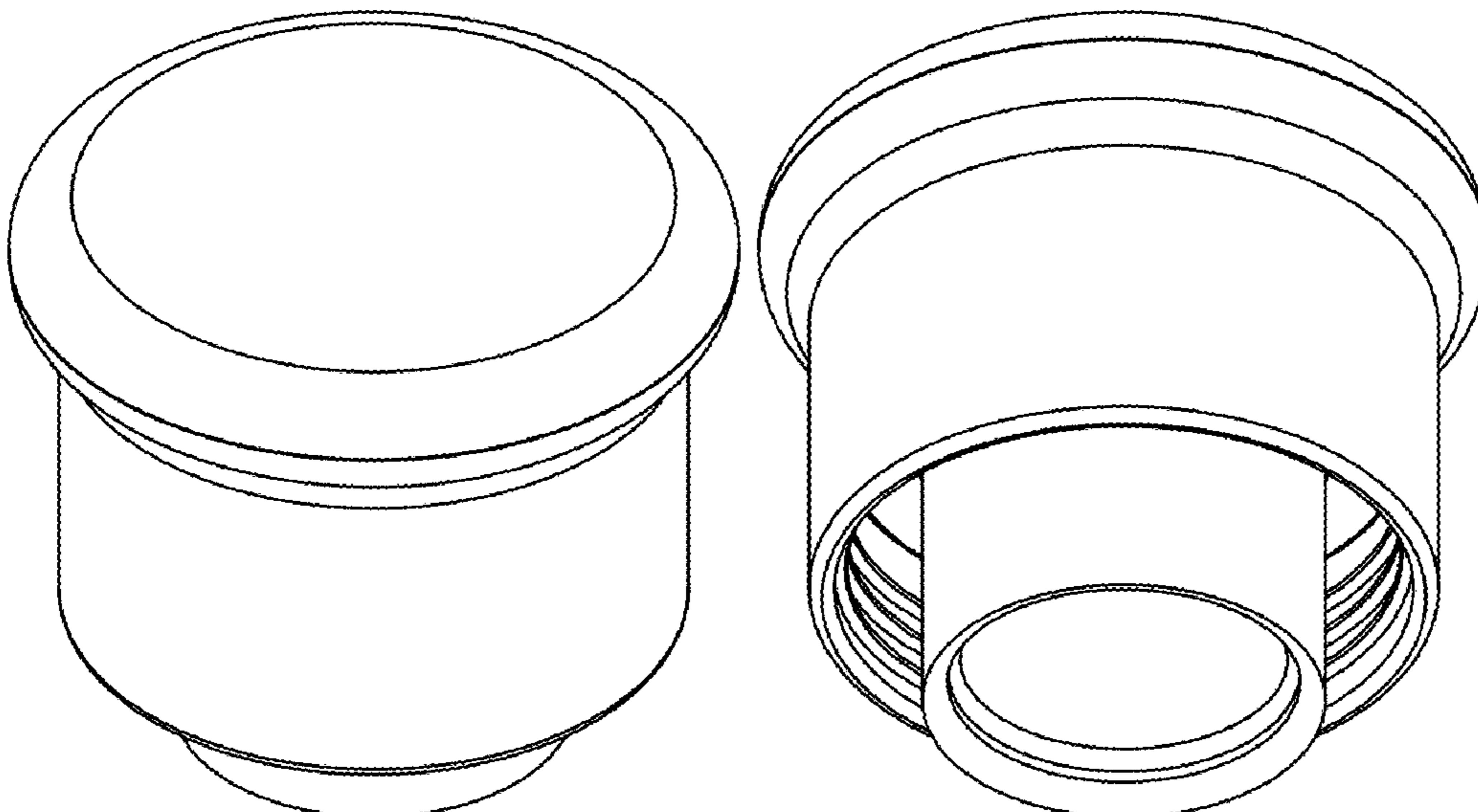
(57) **CLAIM**

The ornamental design for a detergent bottle cap, as shown and described.

DESCRIPTION

FIG. 1 is a top right perspective view of a detergent bottle cap showing the new design;
FIG. 2 is a front side plain view thereof;
FIG. 3 is a top plain view thereof;
FIG. 4 is a cross sectional view of the detergent bottle cap, taken along lines 4-4 of FIG. 3;
FIG. 5 is a bottom left perspective view thereof; and,
FIG. 6 is a bottom plain view our detergent bottle cap design.
In FIG. 3, the broken lines depicted represent a sectional designation that forms no part of the claim.

1 Claim, 6 Drawing Sheets



(56)

References Cited

U.S. PATENT DOCUMENTS

D289,379 S 4/1987 DeVaughn
 D293,213 S 12/1987 Crasper
 D296,672 S 7/1988 Bouthillier
 D303,932 S 10/1989 Pasillas
 D305,871 S * 2/1990 Geiger D9/454
 D324,496 S 3/1992 Poandl
 D325,783 S 4/1992 Anderson
 D334,711 S 4/1993 Ekuan
 D392,046 S * 3/1998 Niedospial, Jr. D9/454
 D401,138 S 11/1998 Rosen
 6,071,523 A 6/2000 Mehta
 D437,556 S * 2/2001 Holliday D9/454
 D479,995 S * 9/2003 Duceppe D9/434
 D480,969 S * 10/2003 Owens D9/434
 D488,059 S 4/2004 Mounier
 D492,596 S * 7/2004 Miceli D9/454
 D581,279 S * 11/2008 Oates D9/454
 D582,772 S * 12/2008 Bakic D9/449
 D619,004 S 7/2010 Fallat
 D630,944 S * 1/2011 Kawamura D9/454
 D637,490 S 5/2011 McKinney

D678,769 S * 3/2013 Kawamura D9/454
 D678,770 S * 3/2013 Kawamura D9/454
 D691,479 S 10/2013 Bea
 D693,628 S * 11/2013 Tavenner D7/392.1
 D712,738 S * 9/2014 Clark D9/435
 D798,710 S * 10/2017 Rummel D9/434
 D837,654 S * 1/2019 Chen D9/504
 D887,837 S * 6/2020 Westcott-Pocock D23/262
 D925,289 S * 7/2021 Hume D7/532
 11,225,363 B2 * 1/2022 Guduru B65D 51/24
 D949,014 S * 4/2022 Fengke D9/439
 2006/0138180 A1 * 6/2006 Giblin B65D 41/26
 222/570
 2019/0135492 A1 * 5/2019 Sprick B65D 1/023
 2020/0299031 A1 * 9/2020 Sprick B65D 25/48

OTHER PUBLICATIONS

Sears Parts Direct. Pressure Washer Detergent Tank Cap 704360.
 No date specified. <https://www.searspartsdirect.com/product/5ik18qpx8w-0071-580/id-704360> (Year: 0).*

* cited by examiner

FIG. 1

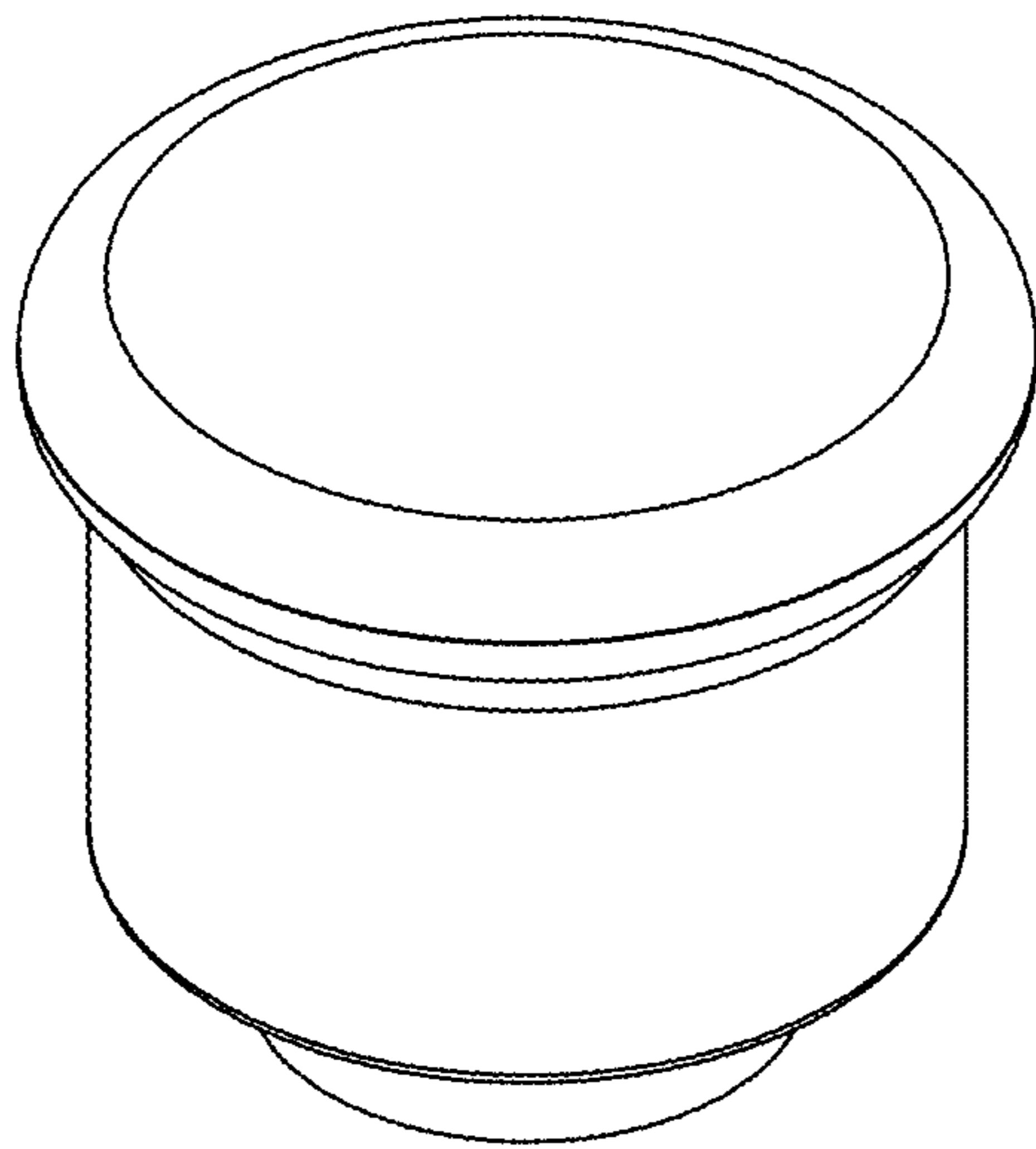


FIG. 2

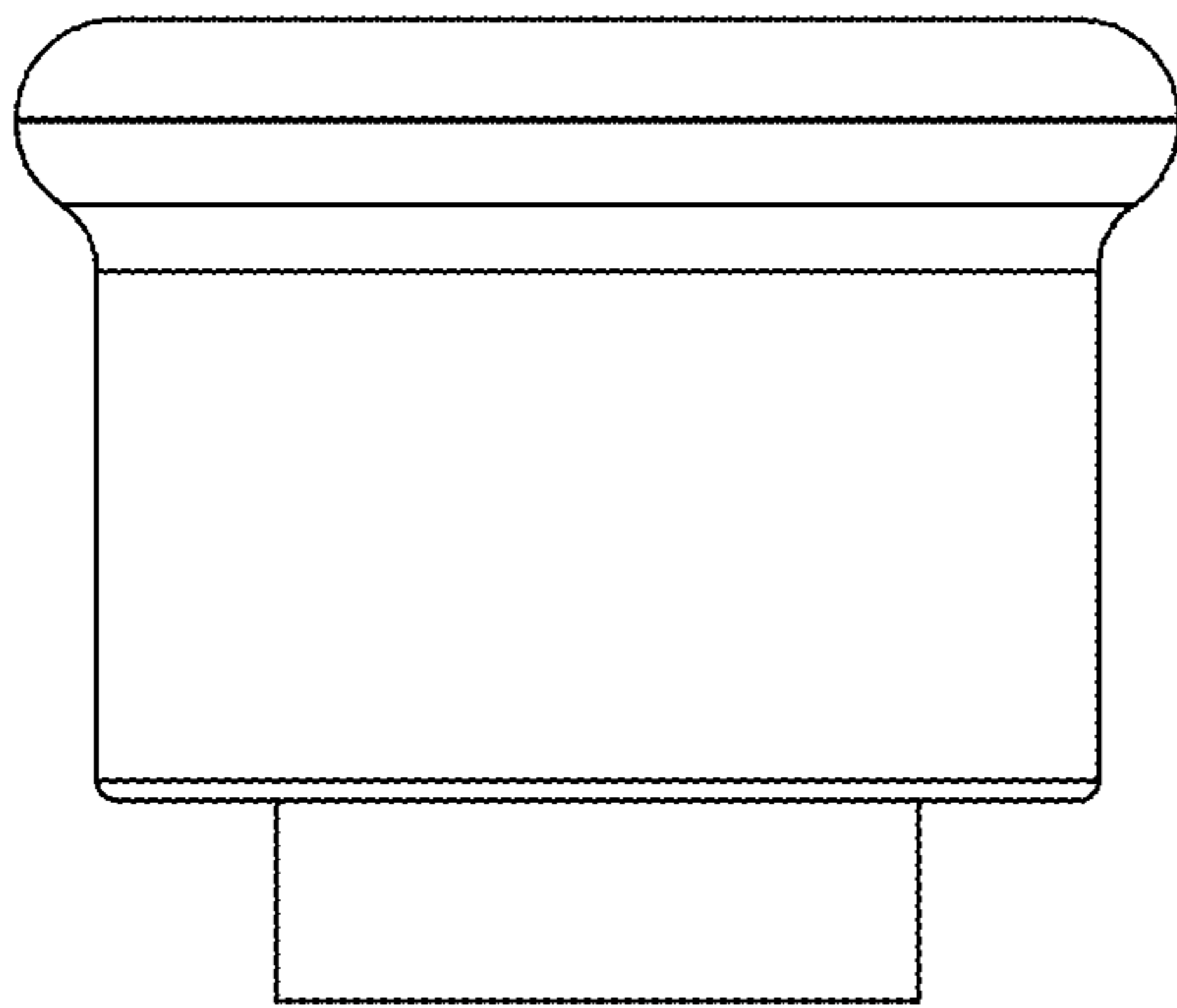


FIG. 3

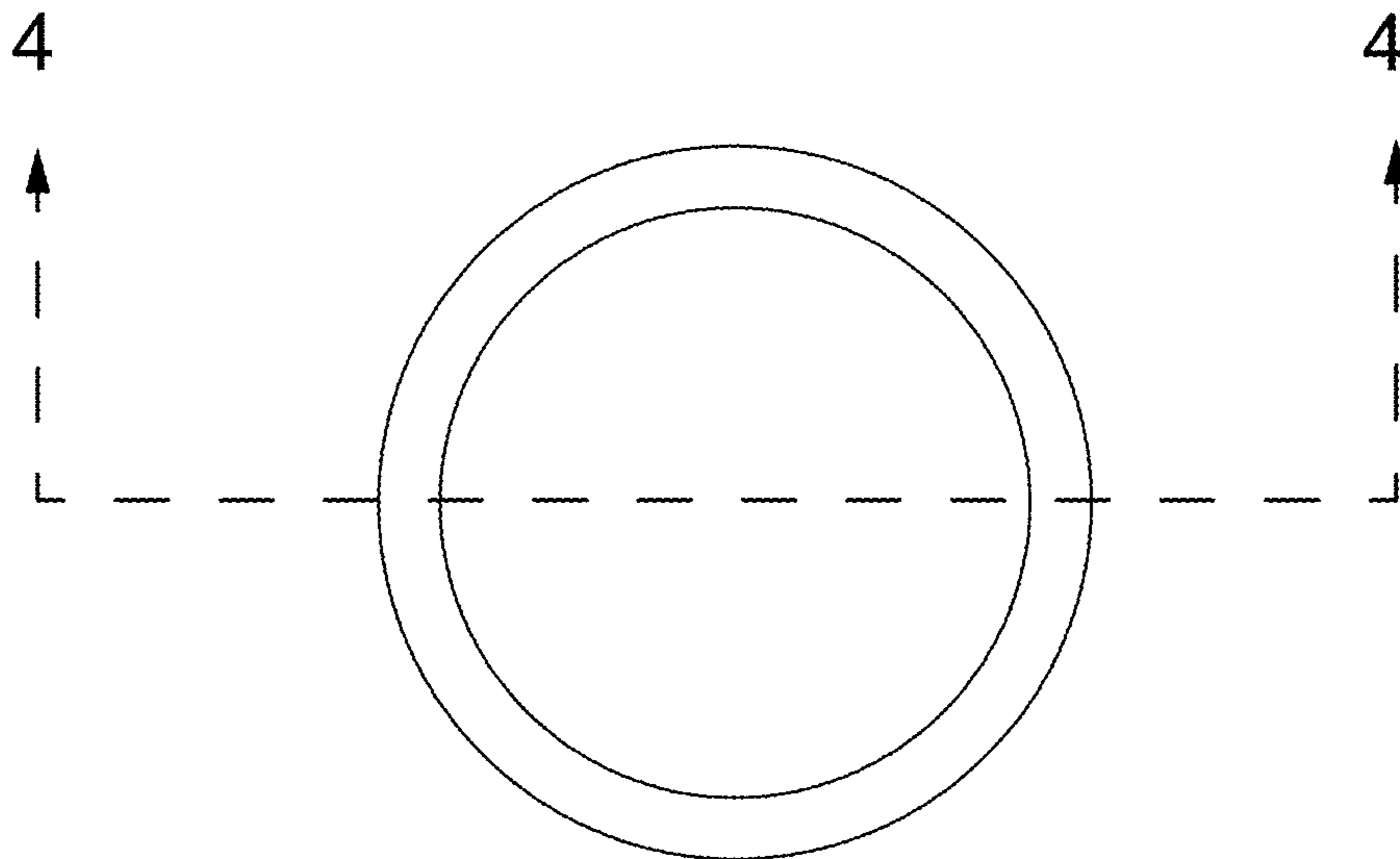


FIG. 4

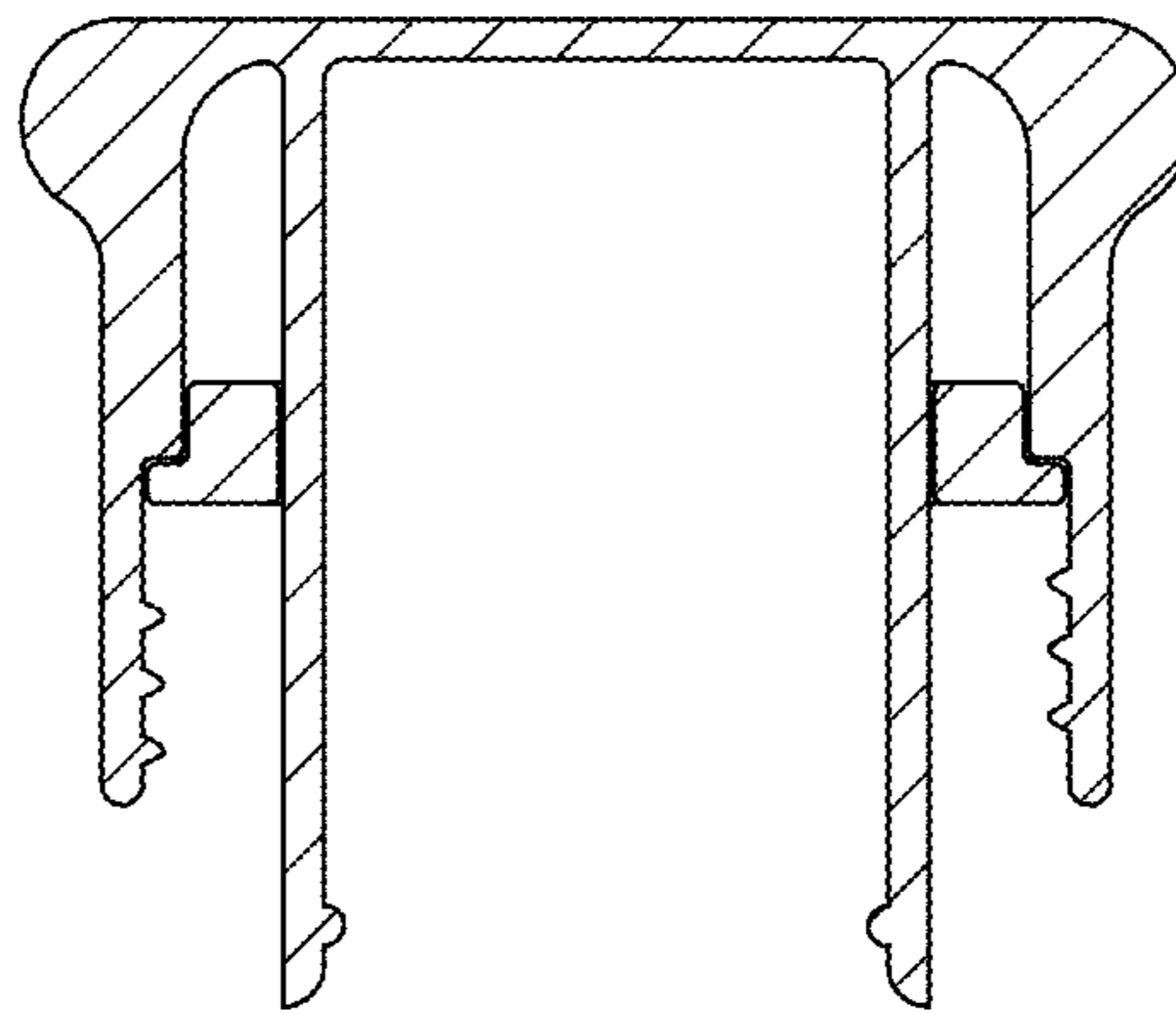


FIG. 5

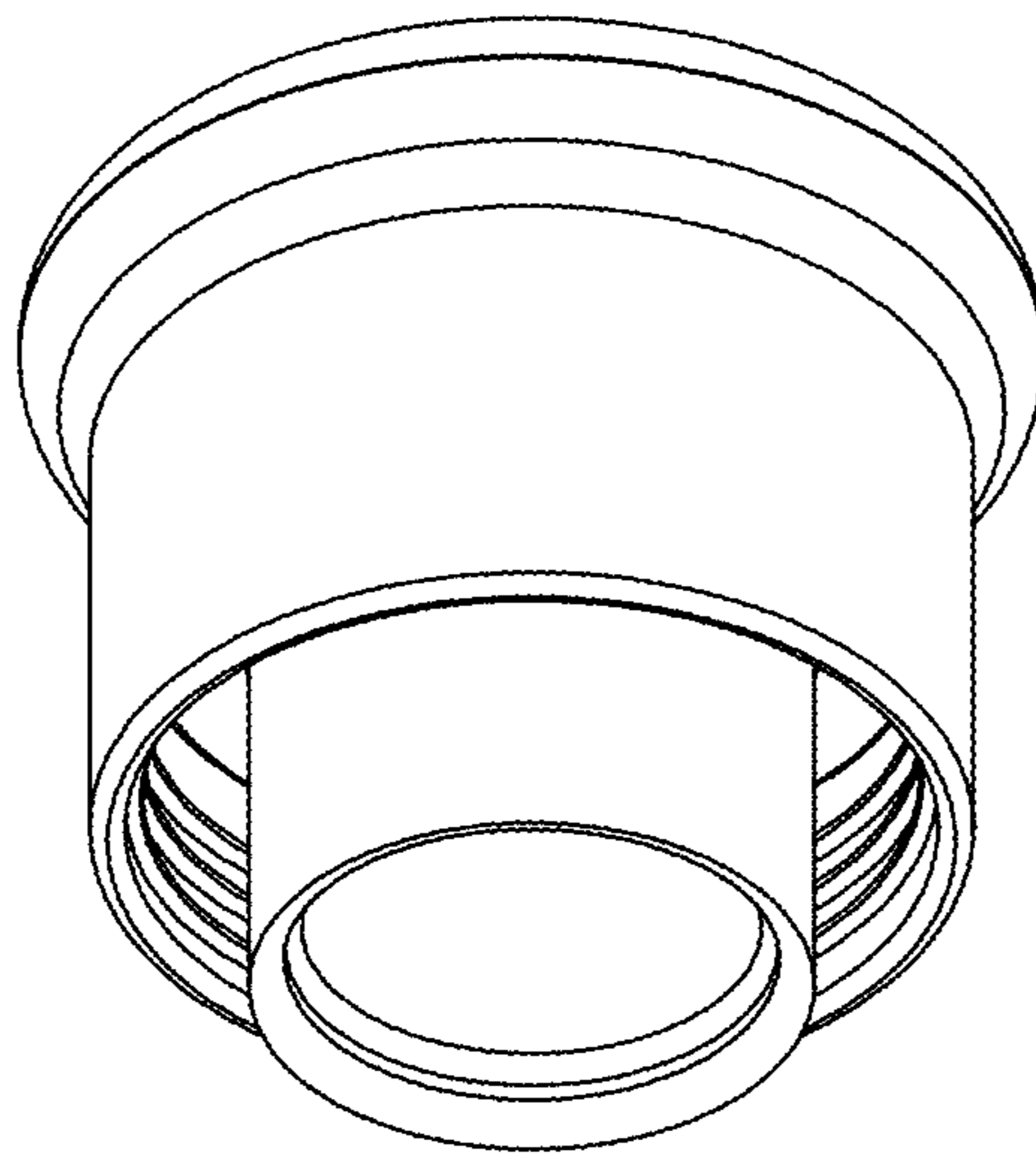


FIG. 6

