



US00D958652S

(12) **United States Design Patent** (10) **Patent No.:** **US D958,652 S**  
**Kozub et al.** (45) **Date of Patent:** **\*\* Jul. 26, 2022**

(54) **PHARMACEUTICAL PACKAGE**

- (71) Applicant: **Gilead Sciences, Inc.**, Foster City, CA (US)
- (72) Inventors: **Benjamin Luke Kozub**, San Francisco, CA (US); **Brian Nilstoft**, San Carlos, CA (US); **Kevin Nguyen**, San Francisco, CA (US); **James Paul Oberhauser**, Saratoga, CA (US); **Roman Shumylo**, Dublin, CA (US); **Joseph Anthony Cordova**, Stockton, CA (US); **Jinhui Yun**, San Francisco, CA (US); **William Harold Lizer**, San Mateo, CA (US); **Adam Hilborn**, Brooklyn, NY (US); **Jesse Arnold Fourt**, Menlo Park, CA (US); **Léo Boris Marzolf**, San Francisco, CA (US); **Pratap Uday Ganapathy**, Menlo Park, CA (US); **Brooke Genelle Thyng**, San Francisco, CA (US); **Caricia Catalani**, San Francisco, CA (US); **Soizic Porhel**, Amsterdam (NL); **Jose Angel Meza**, San Francisco, CA (US); **Steven M. Scally**, Cherry Hill, CO (US); **Mary Cassandra Lodwick**, Brooklyn, NY (US)
- (73) Assignee: **Gilead Sciences, Inc.**, Foster City, CA (US)
- (\*\*) Term: **15 Years**
- (21) Appl. No.: **29/704,981**
- (22) Filed: **Sep. 9, 2019**
- (51) **LOC (13) Cl.** ..... **09-03**
- (52) **U.S. Cl.**  
USPC ..... **D9/433; D9/432**
- (58) **Field of Classification Search**  
USPC ..... **D9/414-420, 421-433, 434, 442, 445, D9/456, 542, 563, 600, 614-624, 707, D9/708, 711, 754, 759, 732, 737, 756; D3/273, 276, 304, 309-313; D7/601, D7/602, 709**

(Continued)

(56) **References Cited**

U.S. PATENT DOCUMENTS

- D359,900 S \* 7/1995 Hawthorne ..... D9/415
- D457,246 S \* 5/2002 Mazel ..... D24/223

(Continued)

OTHER PUBLICATIONS

Ticking all the pharma boxes | Markets. Online, published date Dec. 12, 2012. Retrieved on Feb. 21, 2021 from URL: <https://www.packagingnews.co.uk/features/ticking-all-the-pharma-boxes-markets-21-12-2012>.\*

*Primary Examiner* — Omeed Agilee

(74) *Attorney, Agent, or Firm* — McAndrews Held & Malloy, Ltd.

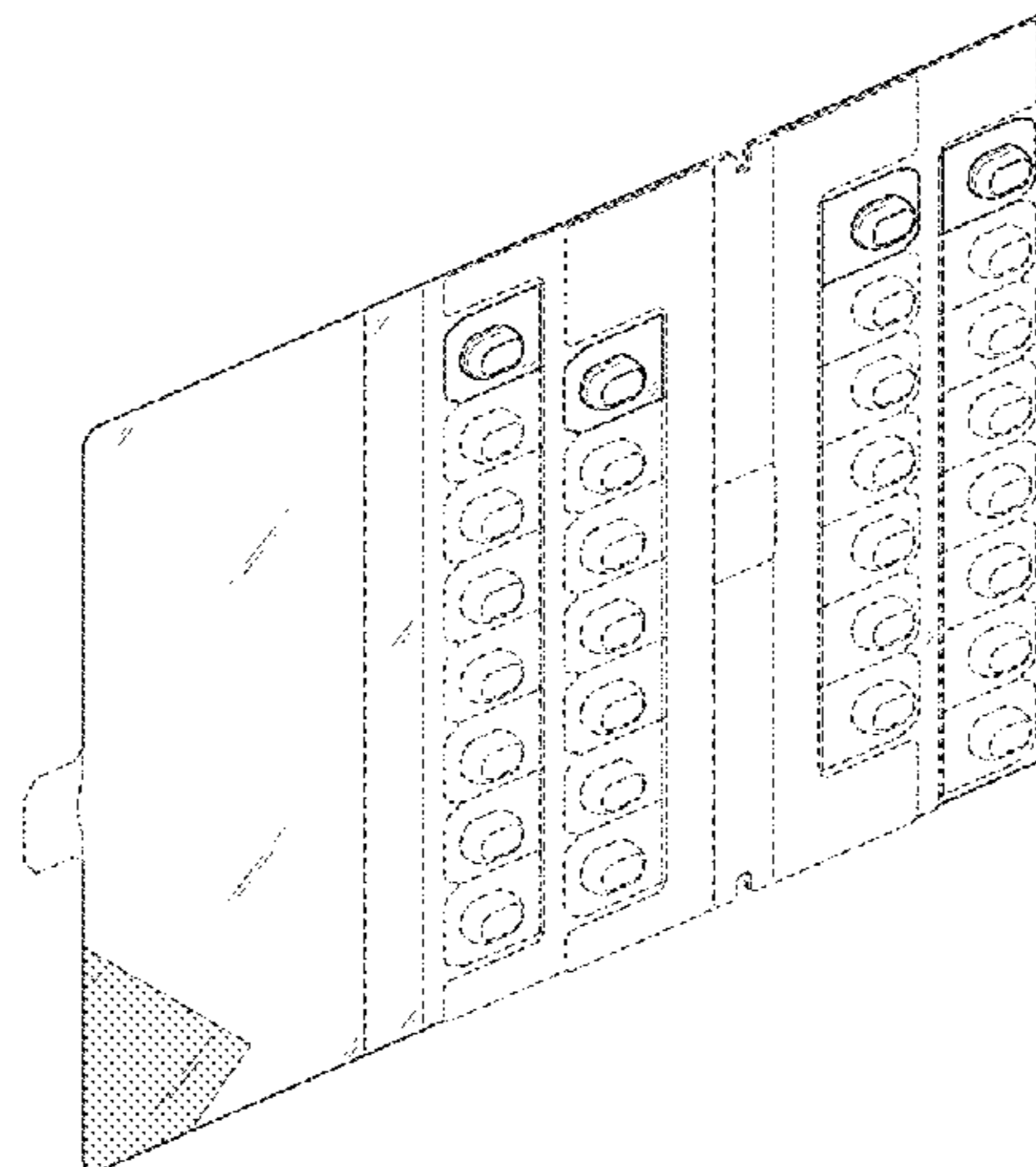
(57) **CLAIM**

The ornamental design for a pharmaceutical package, as shown and described.

**DESCRIPTION**

FIG. 1 is a top front perspective view of a pharmaceutical package;  
 FIG. 2 is a bottom back perspective view thereof;  
 FIG. 3 is front view thereof;  
 FIG. 4 is a back view thereof;  
 FIG. 5 is left side view thereof;  
 FIG. 6 is right side view thereof;  
 FIG. 7 is top view thereof; and,  
 FIG. 8 is bottom view thereof.  
 The gray shading in the figures depicts a contrast of appearance.  
 The broken lines illustrate portions of the pharmaceutical package that form no part of the claimed design.

**1 Claim, 5 Drawing Sheets**



(58) **Field of Classification Search**

CPC ..... B65D 5/00; B65D 5/001; B65D 5/0027;  
 B65D 5/0254; B65D 5/18; B65D 5/38;  
 B65D 5/40; B65D 5/2033; B65D  
 5/48024; B65D 5/6605; B65D 1/22;  
 B65D 1/24; B65D 1/34; B65D 73/0035;  
 B65D 73/0085; B65D 75/58; B65D  
 2543/00194; B65D 1/36; B65D 73/0078;  
 B65D 2543/00805; B65D 73/0042; B65D  
 75/225; B65B 5/06

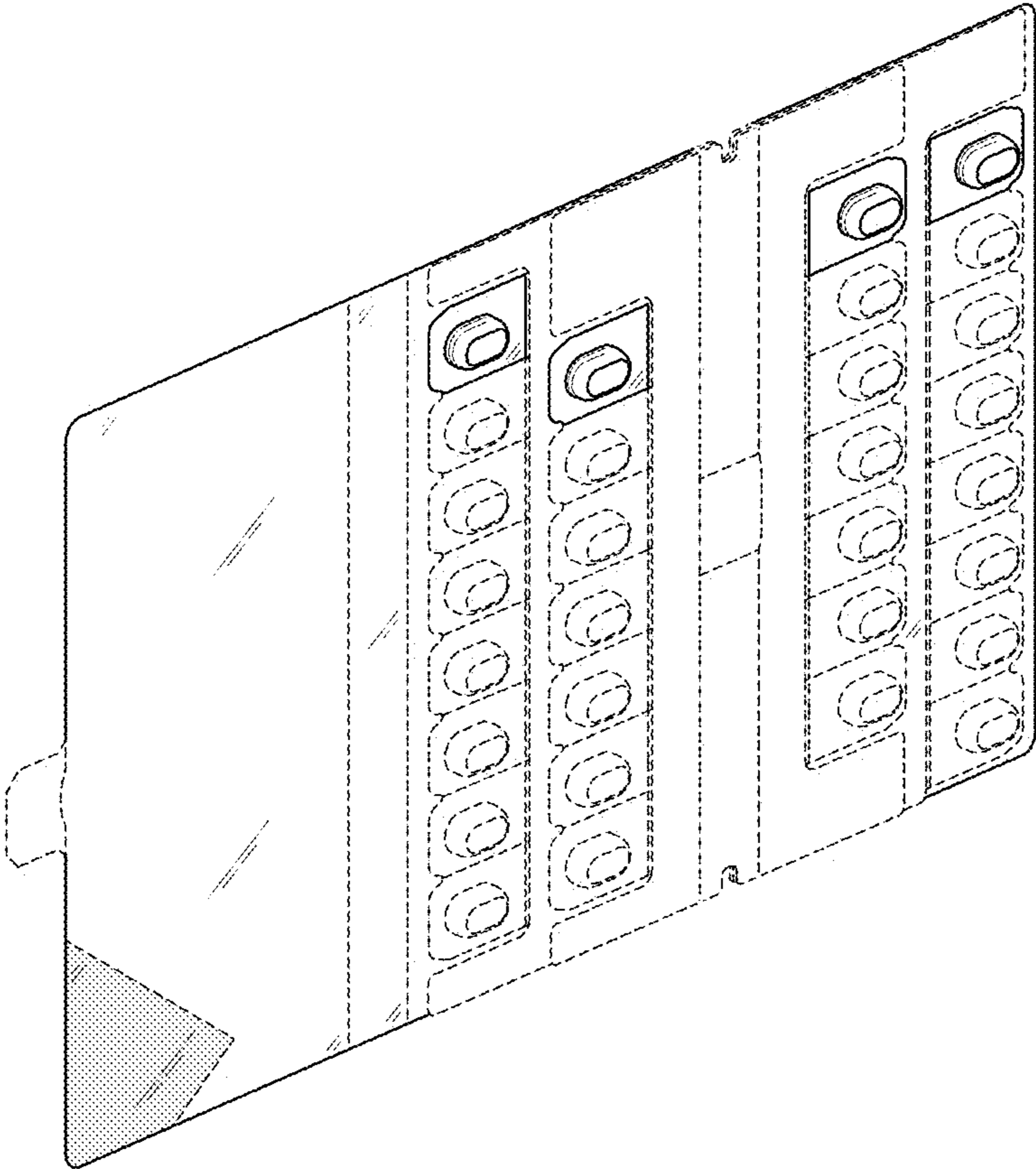
See application file for complete search history.

(56) **References Cited**

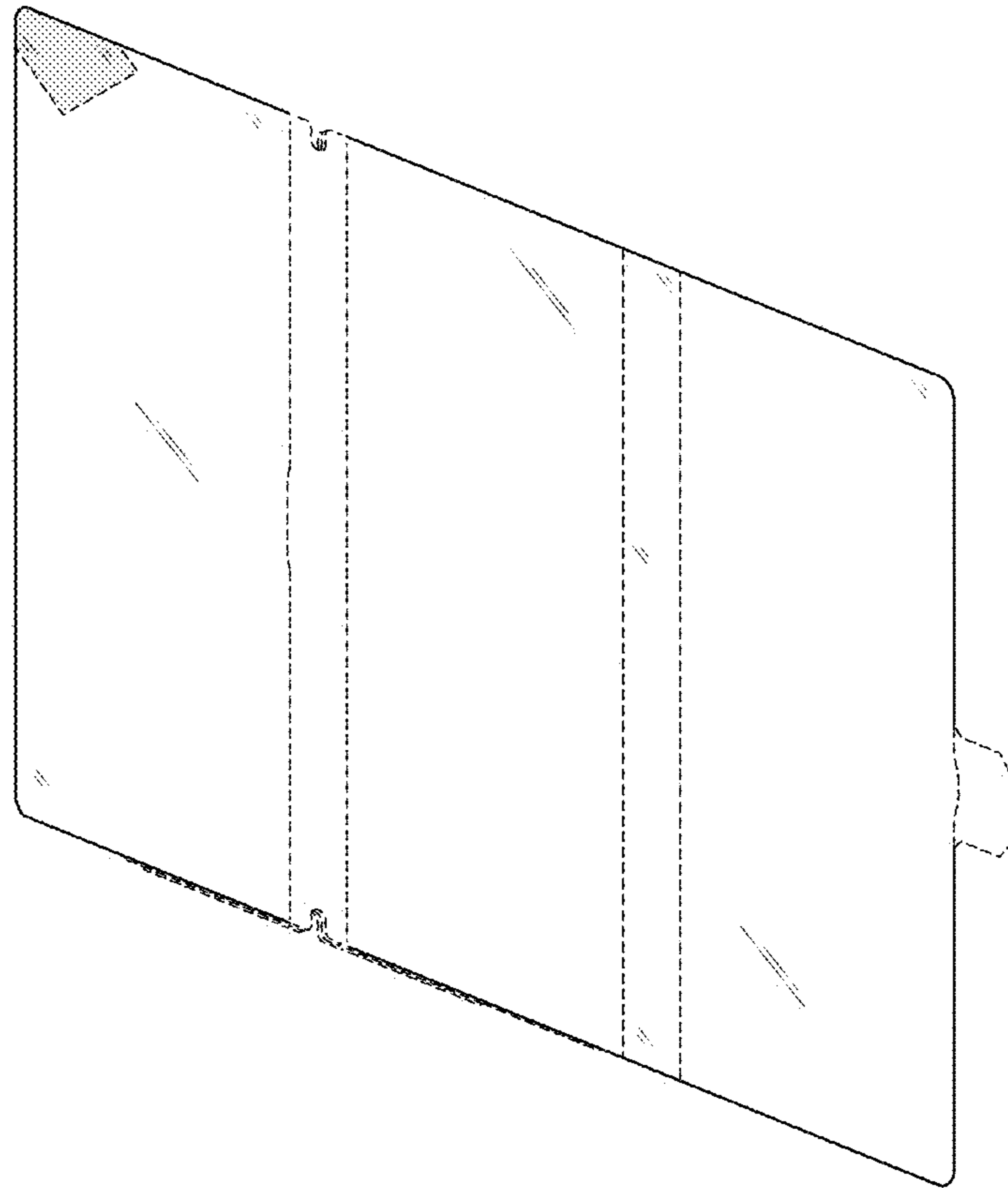
U.S. PATENT DOCUMENTS

D496,276	S	*	9/2004	Smith	.....	D9/432
D499,646	S	*	12/2004	Gibbs	.....	D9/433
D646,157	S	*	10/2011	Work	.....	D9/418
D655,600	S	*	3/2012	Work	.....	D9/418
D669,350	S	*	10/2012	Althoff	.....	D9/418
D723,390	S	*	3/2015	Eriksson	.....	D9/732
D770,303	S	*	11/2016	Gelbaum	.....	D9/732
D789,196	S	*	6/2017	Waters	.....	D9/433
D800,573	S	*	10/2017	Mochizuki	.....	D9/624
D806,570	S	*	1/2018	Gelbaum	.....	D9/732
D843,850	S	*	3/2019	LoPrete	.....	D9/732
D867,162	S	*	11/2019	LoPrete	.....	D9/732
D874,944	S	*	2/2020	Schmidt	.....	D9/732
D881,710	S	*	4/2020	Mochizuki	.....	D9/624
D897,196	S	*	9/2020	Lyle	.....	D9/414
D897,197	S	*	9/2020	Tidwell	.....	D9/418
2016/0200476	A1	*	7/2016	Kobbe	.....	B65D 5/50 206/63.5

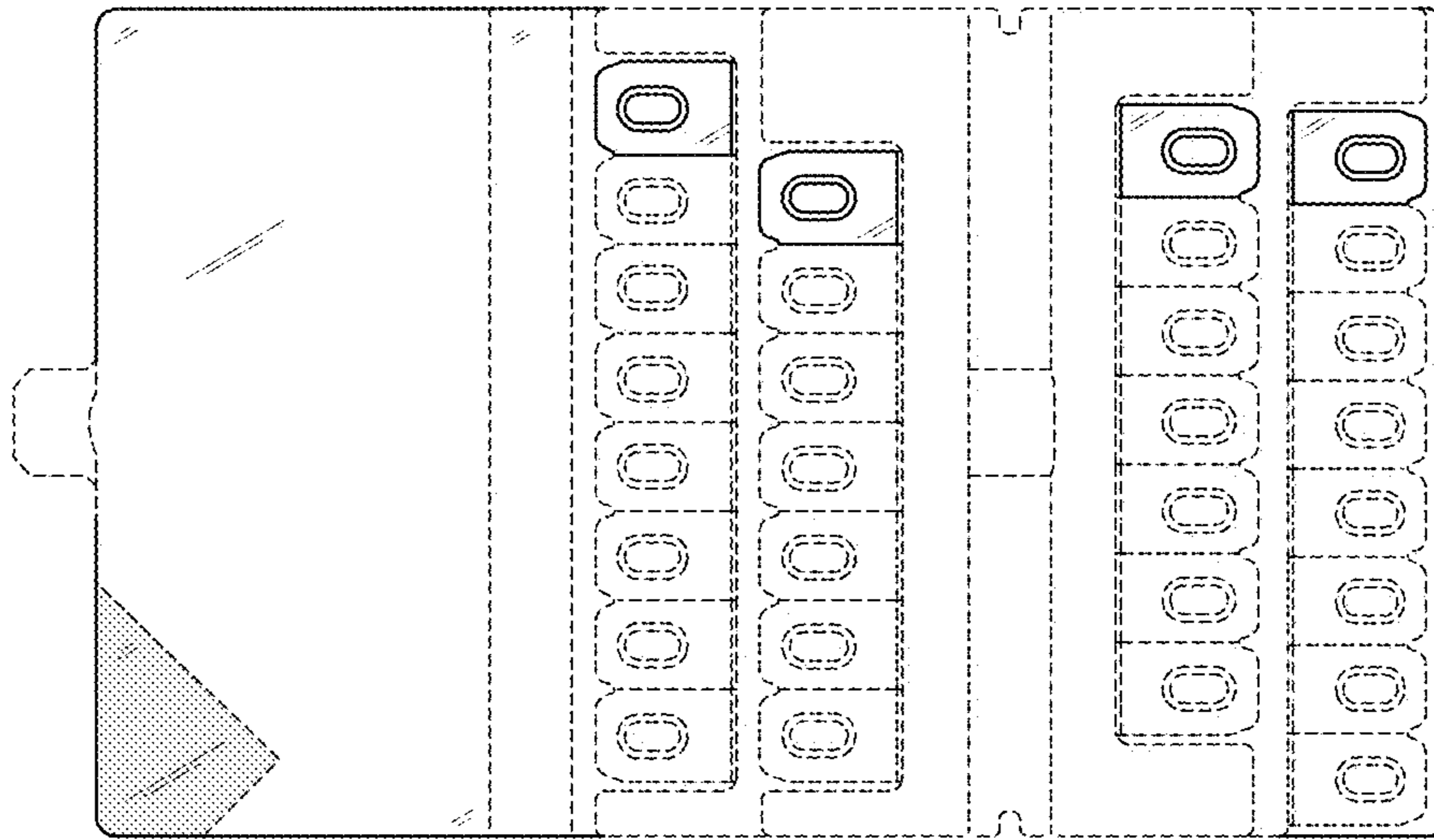
\* cited by examiner



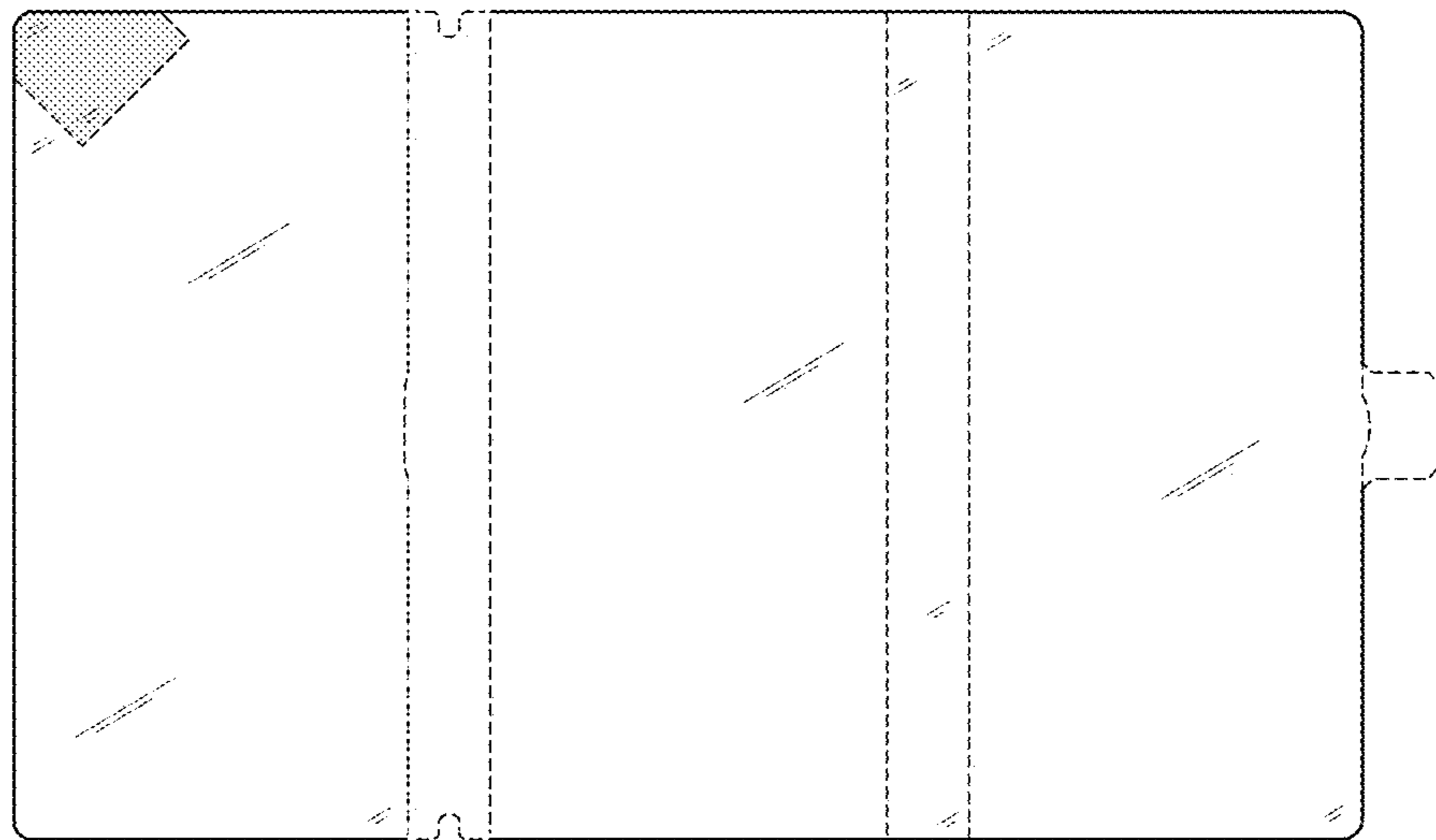
**FIG. 1**



**FIG. 2**



**FIG. 3**



**FIG. 4**

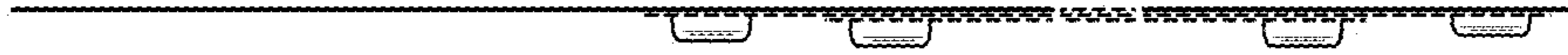




**FIG. 5**



**FIG. 6**



**FIG. 7**



**FIG. 8**