



US00D958648S

(12) **United States Design Patent** (10) **Patent No.:** **US D958,648 S**
Althaus et al. (45) **Date of Patent:** **** Jul. 26, 2022**

(54) **SHIPPING CONTAINER**

1/0263; A47J 45/077; A47J 45/07; A63H
27/001

(71) Applicant: **Société des Produits Nestlé S.A.**,
Vevey (CH)

See application file for complete search history.

(72) Inventors: **Lauren Althaus**, St Louis, MO (US);
Albert Lawrence Baner, Wildwood,
MO (US); **Timothy Gleason**,
Manchester, MO (US)

(56) **References Cited**

U.S. PATENT DOCUMENTS

(73) Assignee: **SOCIETE DES PRODUITS NESTLE**
S.A., Vevey (CH)

D206,079	S	*	10/1966	Swett	D9/434
3,424,369	A	*	1/1969	Drnec	B65D 5/6605 229/117.16
D495,598	S	*	9/2004	Smith	D9/430
D548,072	S	*	8/2007	Nixon	D9/432
D585,737	S	*	2/2009	Double	D9/432
D587,997	S	*	3/2009	Gross	D9/432
D651,076	S	*	12/2011	Van Berlo	D9/433
D684,049	S	*	6/2013	McCarthy	D9/432
D740,032	S	*	10/2015	Bell	D3/327
D832,115	S	*	10/2018	Fitchett	D9/711
10,589,894	B2		3/2020	Niedzwiecki		
D896,630	S	*	9/2020	Gomez	D9/418
2009/0283579	A1	*	11/2009	Kelly	B65D 5/4608 229/117.3

(**) Term: **15 Years**

(21) Appl. No.: **29/703,096**

(22) Filed: **Aug. 23, 2019**

(Continued)

(51) **LOC (13) Cl.** **09-03**

Primary Examiner — Catherine S Posthauer

(52) **U.S. Cl.**

(74) *Attorney, Agent, or Firm* — K&L Gates LLP

USPC **D9/432**

(58) **Field of Classification Search**

(57) **CLAIM**

USPC D3/20, 202, 203, 203.2, 203.6, 203.7,
D3/207, 242, 318; D9/414–423,
D9/430–433, 434, 443, 456, 457, 711,
D9/713, 721–722, 737, 756, 758, 759,
D9/760; D20/10, 11, 22, 23, 27, 28, 40,
D20/42, 44

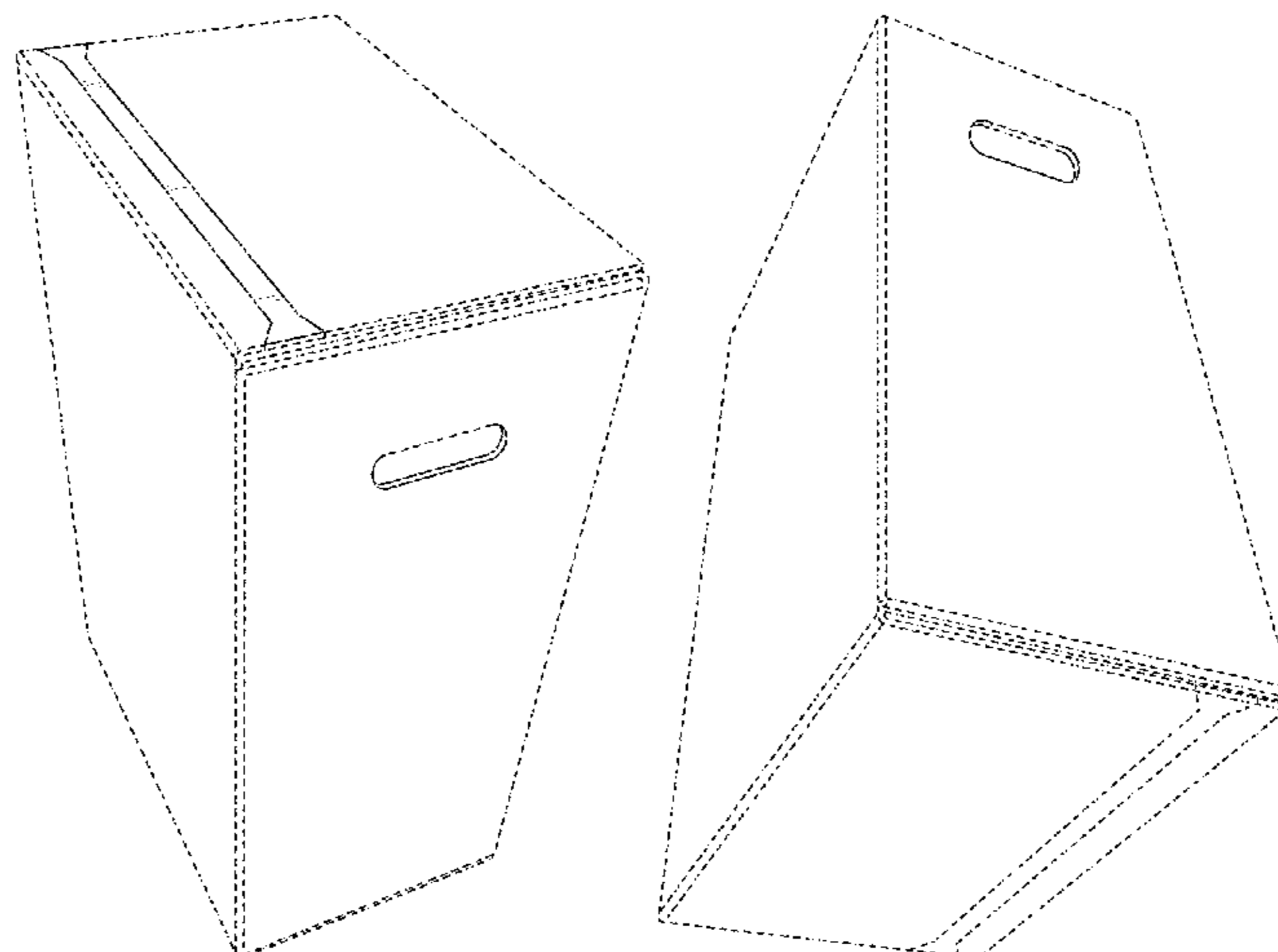
The ornamental design of a shipping container, as shown and described.

DESCRIPTION

CPC B65D 5/54; B65D 5/4212; B65D 5/4608;
B65D 5/60; B65D 2203/00; B65D 5/00;
B65D 5/02; B65D 5/18; B65D 5/20;
B65D 5/22; B65D 5/4245; B65D 43/153;
B65D 43/22; B65D 81/264; B65D 33/18;
B65D 33/08; B65D 33/12; B65D
2401/15; B65D 17/4014; B65D 17/0014;
B65D 17/0025; B65D 17/0044; B65D
23/10; A45D 33/18; A45D 34/00; A45D
2034/007; A45D 2040/0012; A01N

FIG. 1 is a top left side perspective view of a shipping container showing our new design;
FIG. 2 is a bottom right side perspective view thereof;
FIG. 3 is a front view thereof;
FIG. 4 is a back view thereof;
FIG. 5 is a left side view thereof;
FIG. 6 is a right side view thereof;
FIG. 7 is a top-plan view thereof;
FIG. 8 is a bottom-plan view thereof;
FIG. 9 is a top right side perspective view thereof; and,
FIG. 10 is a bottom left side perspective view thereof.

(Continued)



The broken lines in the drawings are intended to represent both parts of the article that form no part of the claim as well as boundaries of the claim.

1 Claim, 10 Drawing Sheets

(56)

References Cited

U.S. PATENT DOCUMENTS

2019/0210860 A1* 7/2019 Bourke B65D 5/4608
2020/0239180 A1 7/2020 Simpson et al.
2021/0053719 A1* 2/2021 Baner B65D 5/0227
2021/0300619 A1* 9/2021 Pierozan B65D 5/22

* cited by examiner

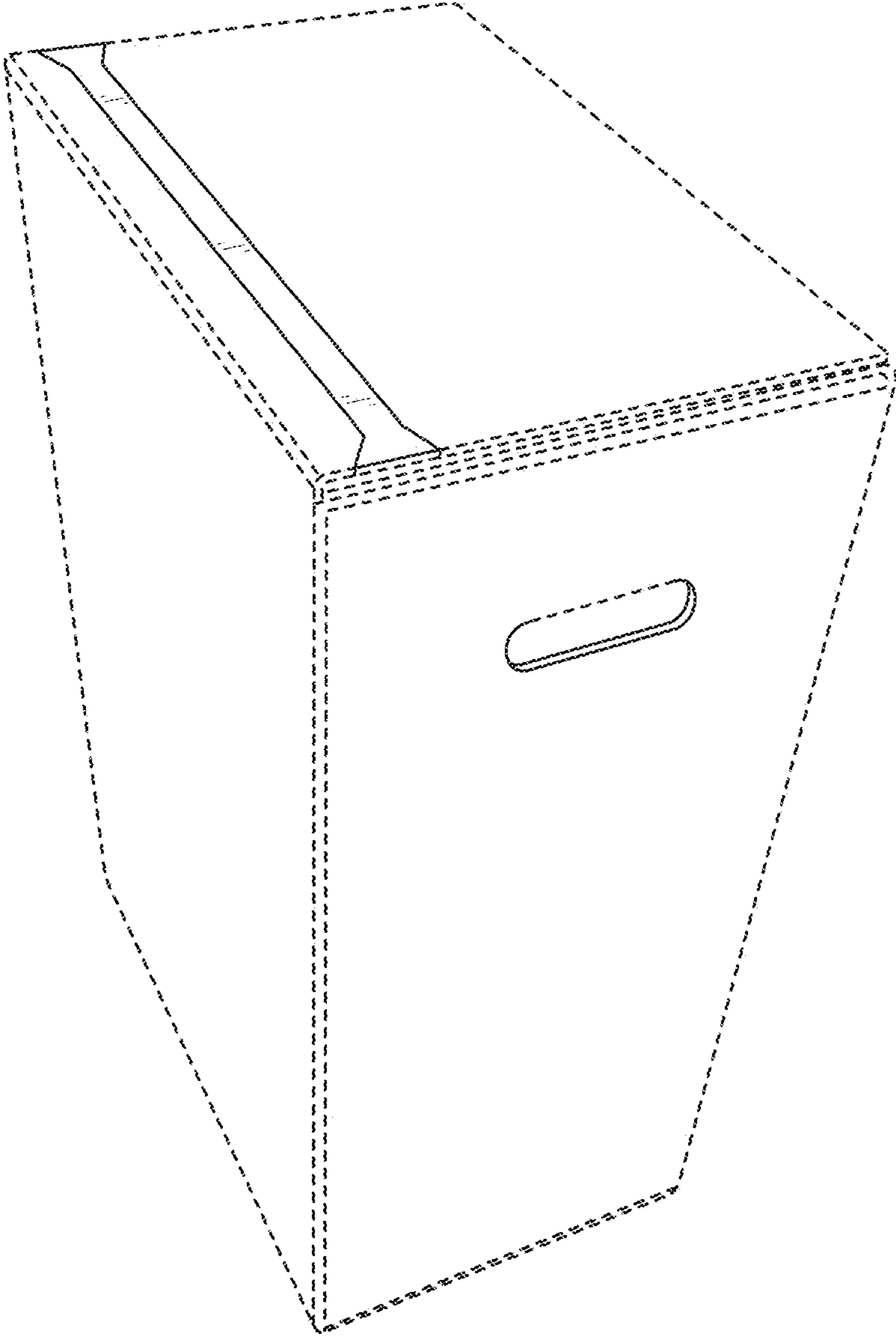


FIG. 1

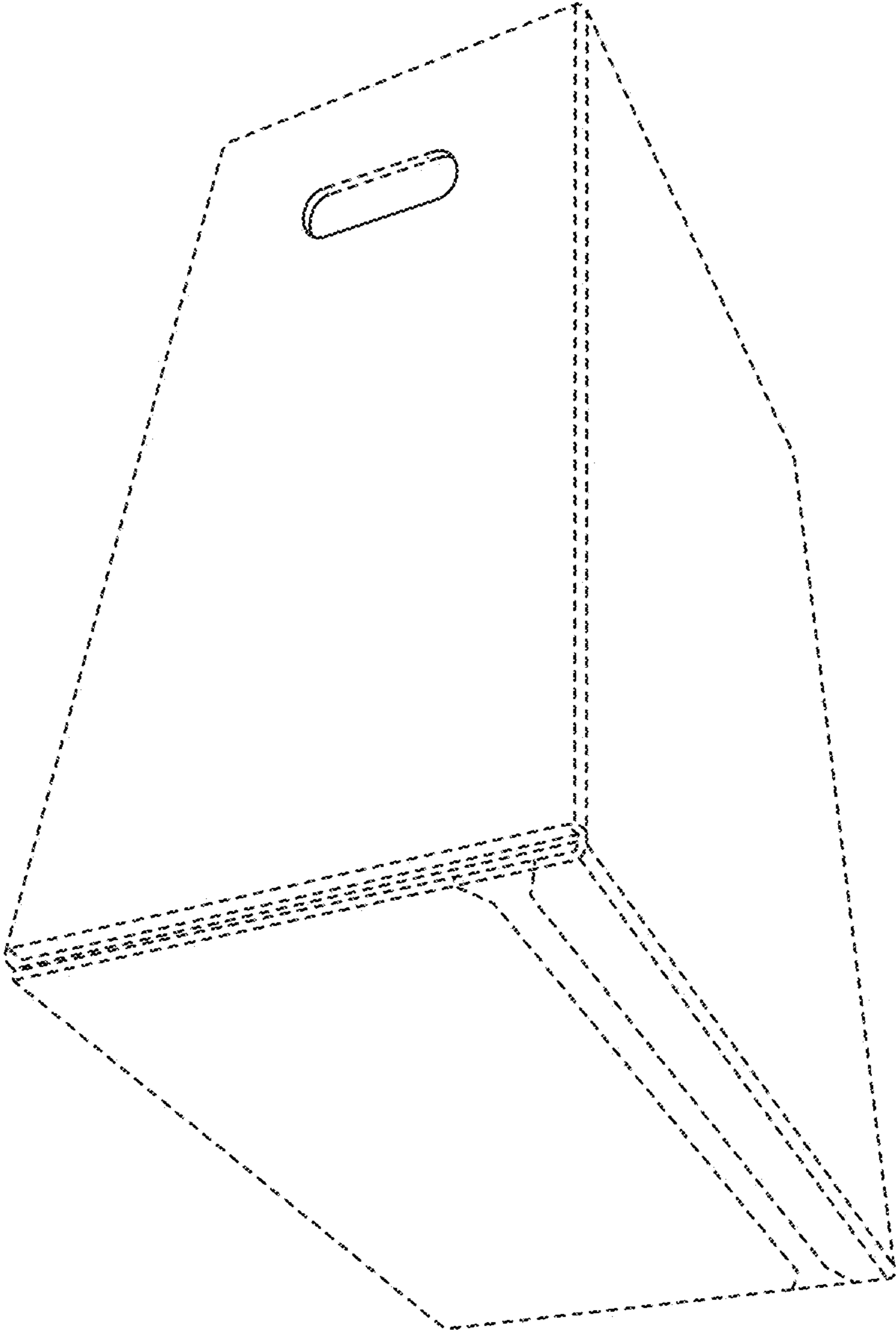


FIG. 2

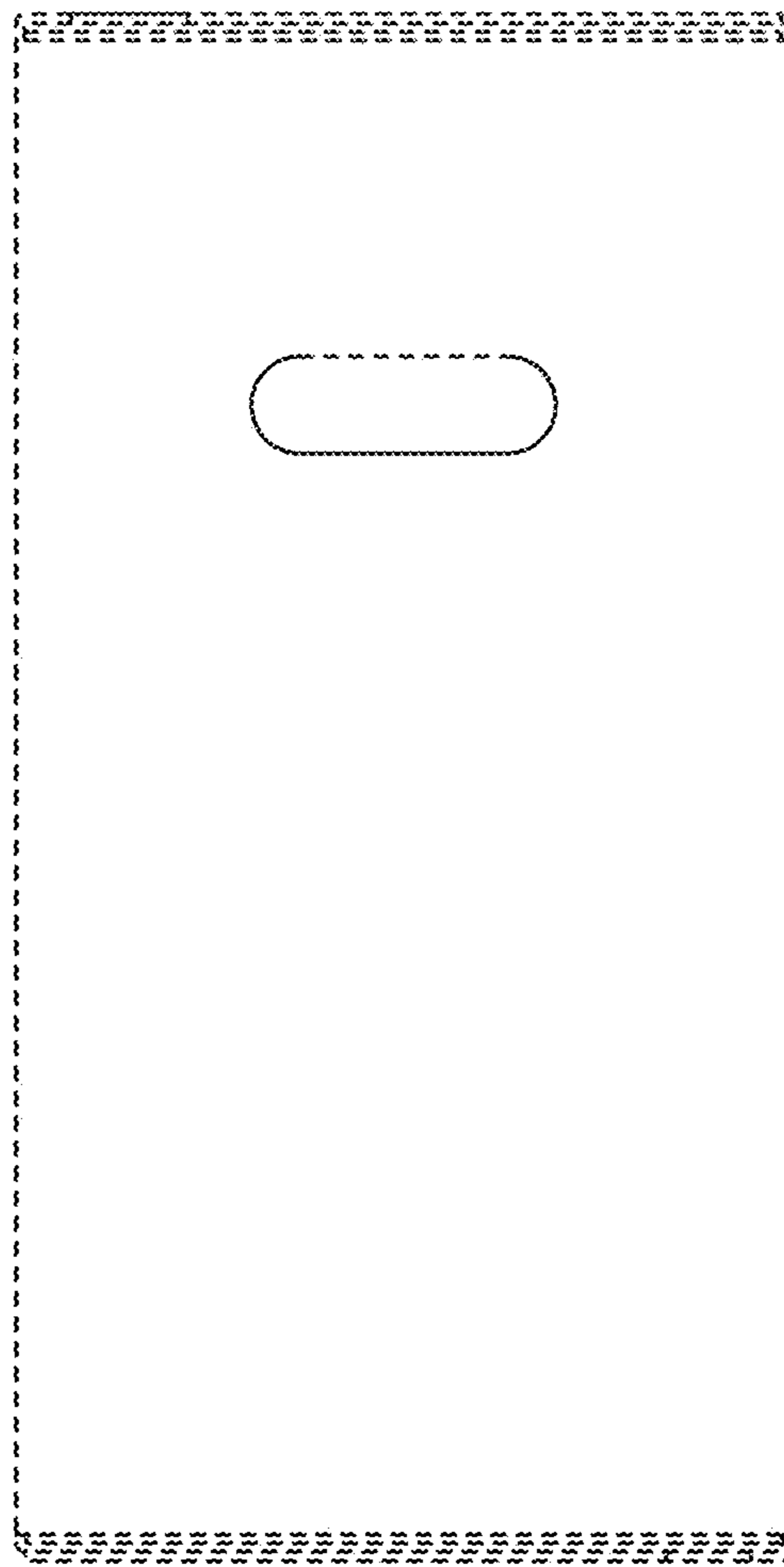


FIG. 3

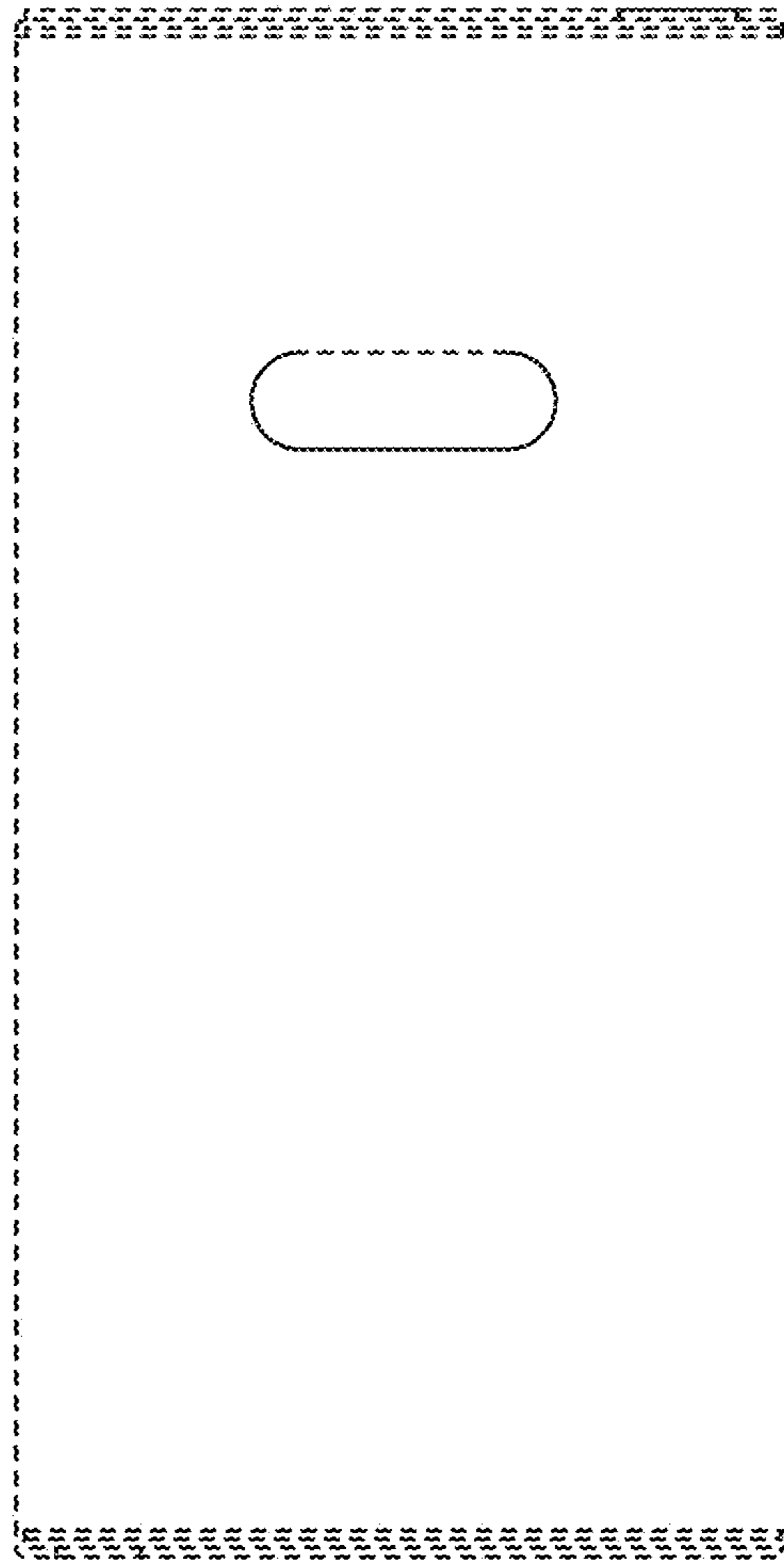


FIG. 4



FIG. 5



FIG. 6

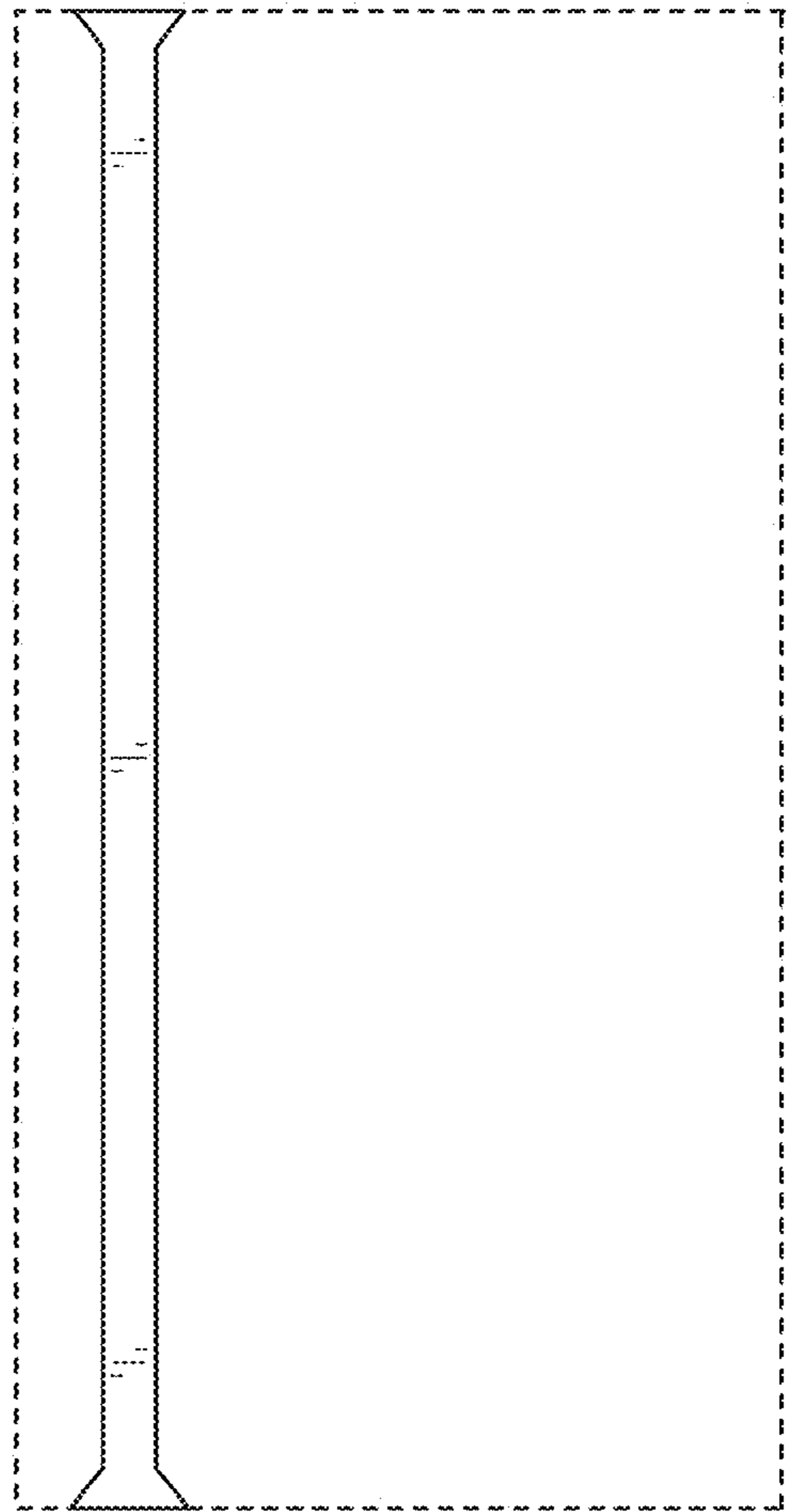


FIG. 7

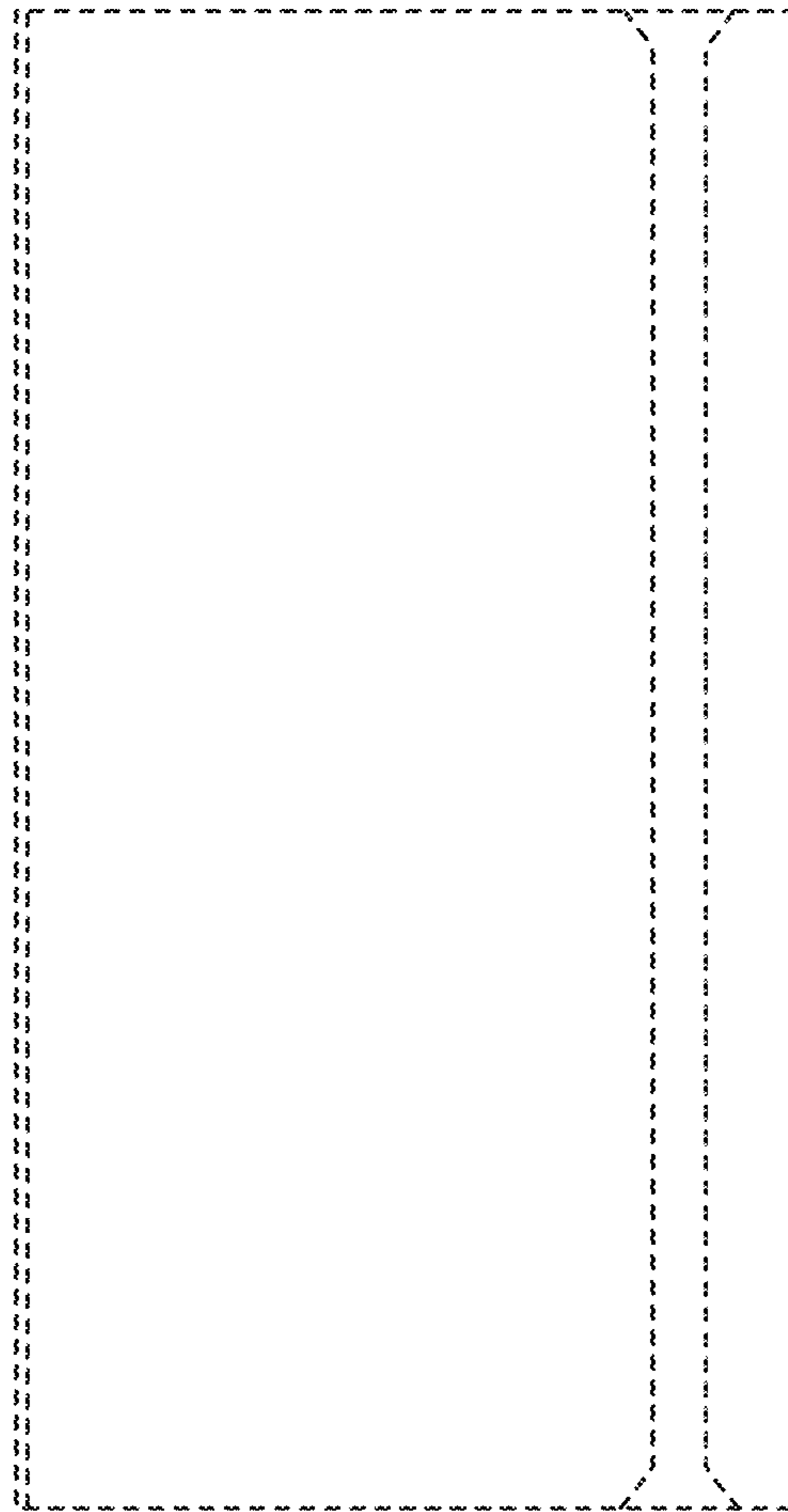


FIG. 8

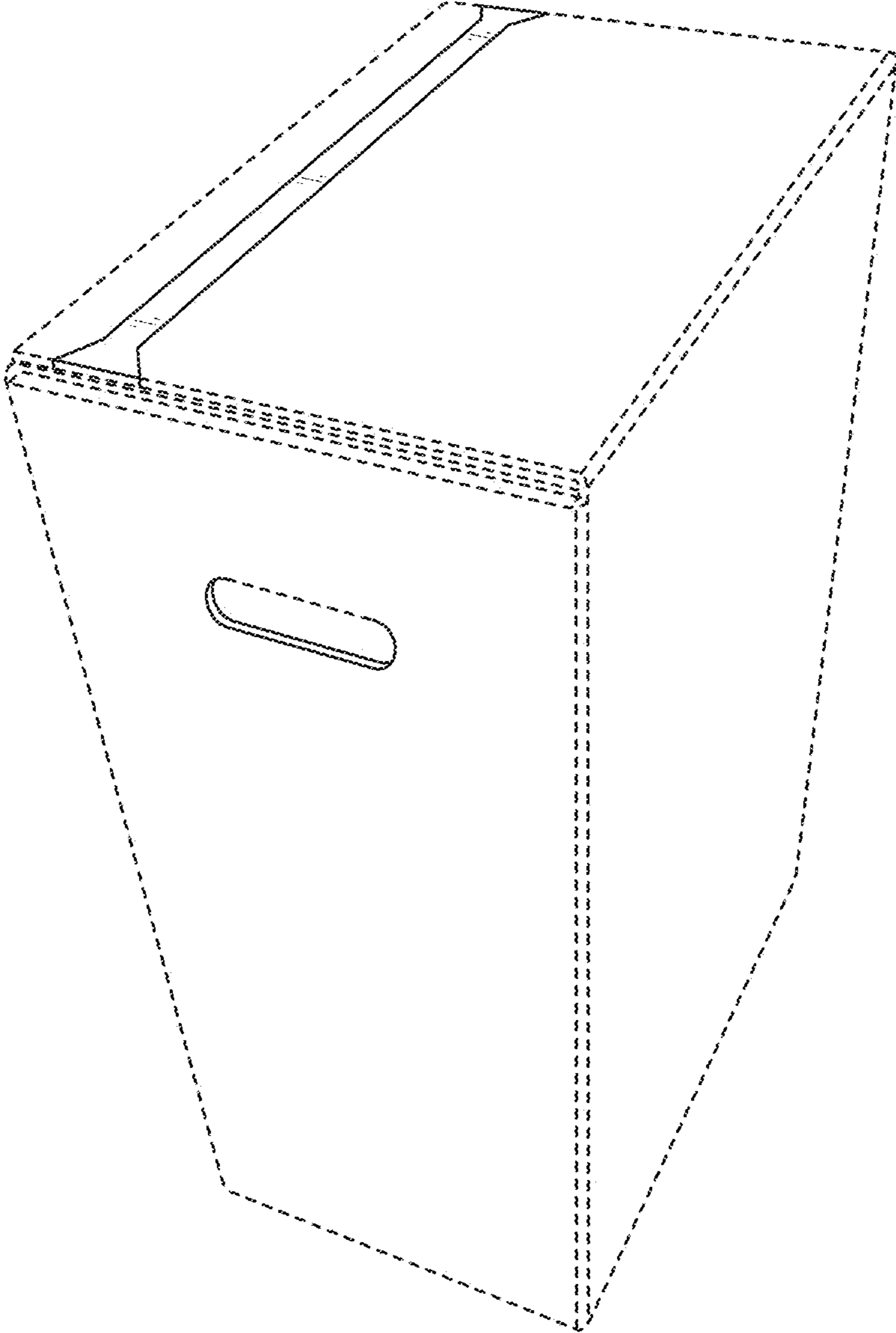


FIG. 9

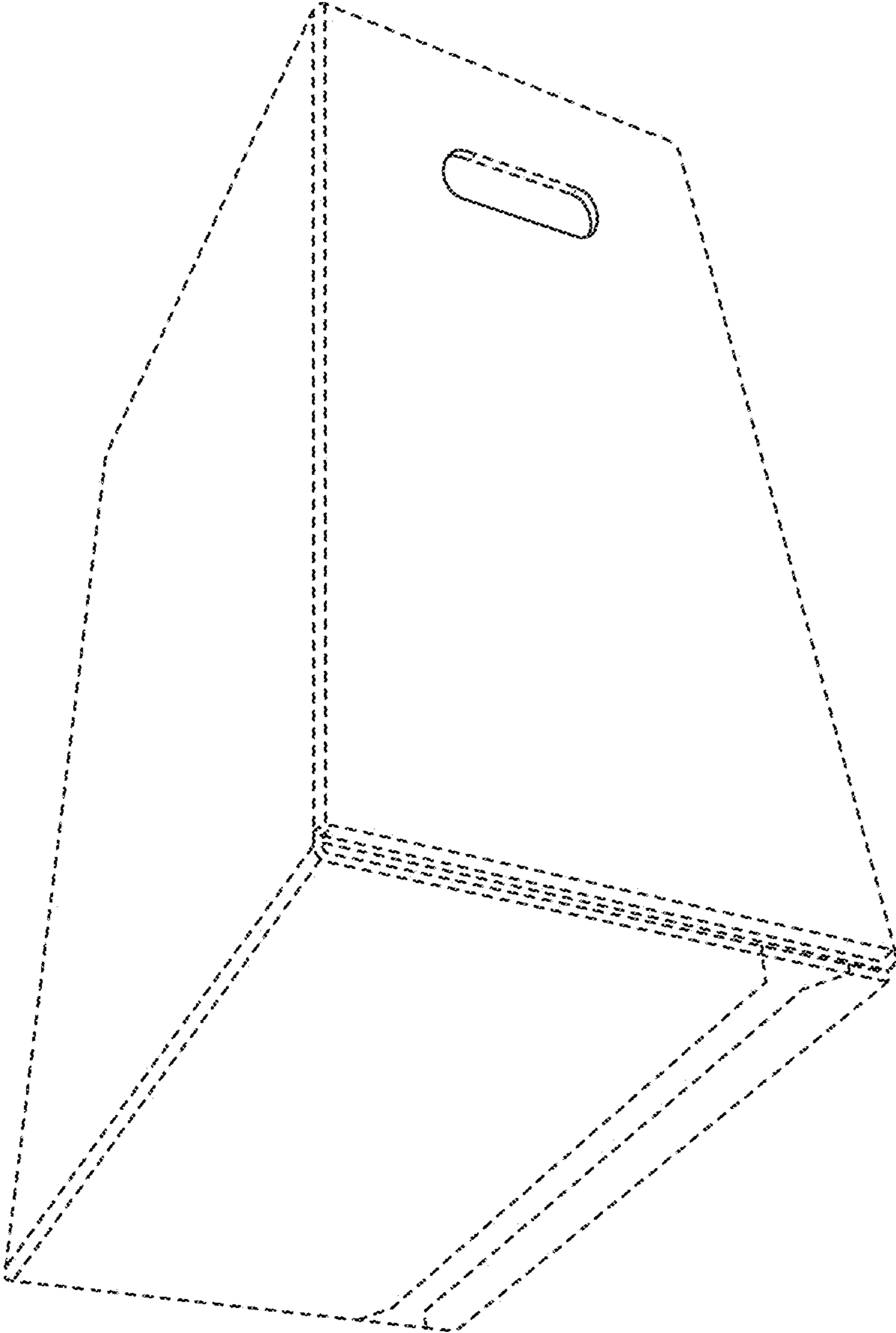


FIG. 10