



US00D958646S

(12) **United States Design Patent** (10) **Patent No.:** **US D958,646 S**  
**Leruste et al.** (45) **Date of Patent:** **\*\* Jul. 26, 2022**

(54) **COMBINED FOOD PACKAGE WITH STEPS**

(74) *Attorney, Agent, or Firm* — Cooley LLP

(71) Applicant: **Mowi ASA**, Bergen (NO)

(57) **CLAIM**

(72) Inventors: **Bruno Leruste**, Paris (FR); **Javier Sánchez Lamelas**, Barcelona (ES); **Philippe De Bie**, Bruges (BE); **Emilia Schomburg**, Gdansk (PL); **Alexandre Savet**, Boulogne-sur-mer (FR); **Michal Sturtz**, Paris (FR); **Pedro Mir**, Barcelona (ES); **Tomasz Trela**, Warsaw (PL); **Jean Deterre**, Saragossa (ES); **Gabriel Chabert**, Boulogne-sur-mer (FR); **Ludo Aldelhof**, Bruges (BE)

The ornamental design for a combined food package with steps, as shown and described.

(73) Assignee: **Mowi ASA**, Bergen (NO)

**DESCRIPTION**

(\*\*) Term: **15 Years**

The patent or application file contains at least one drawing executed in color. Copies of this patent or patent application publication with color drawing(s) will be provided by the Office upon request and payment of the necessary fee.

(21) Appl. No.: **29/688,444**

FIG. 1 is a perspective view of a first embodiment of a new design for a combined food package with steps;

(22) Filed: **Apr. 22, 2019**

FIG. 2 is a top view thereof;

(30) **Foreign Application Priority Data**

FIG. 3 is an end view thereof;

Oct. 22, 2018 (EM) ..... 005803996-001

FIG. 4 is a left side view thereof, the right side being substantially a mirror thereof;

Oct. 22, 2018 (EM) ..... 005803996-002

FIG. 5 is a bottom view thereof;

(Continued)

FIG. 6 is a perspective view of a second embodiment of the new design for a combined food package with steps;

(51) **LOC (13) Cl.** ..... **09-03**

FIG. 7 is a top view thereof;

(52) **U.S. Cl.**

FIG. 8 is an end view thereof;

USPC ..... **D9/418**

FIG. 9 is a left side view thereof, the right side being substantially a mirror thereof;

(58) **Field of Classification Search**

FIG. 10 is a perspective view of a third embodiment of the new design for a combined food package with steps;

USPC ..... D9/418, 420, 414-415, 756, 456, 758, D9/425, 426, 423; D26/122; D7/553.2, D7/504, 409; D1/121

FIG. 11 is a perspective view of a fourth embodiment of the new design for a combined food package with steps;

(Continued)

FIG. 12 is a perspective view of a fifth embodiment of the new design for a combined food package with steps; and,

(56) **References Cited**

FIG. 13 is a perspective view of a sixth embodiment of the new design for a combined food package with steps.

U.S. PATENT DOCUMENTS

In FIGS. 10, 11, and 12, the combined food package with steps is shown with a symbolic break in its width and length, rendered using dash-dot-dash lines. The appearance of any portion of the article beyond the break line forms no part of the claimed design. The dash-dash broken lines in FIGS. 6-9 represent environment only and form no part of the claimed design.

2,789,700 A \* 4/1957 King ..... A47F 5/0062

108/32

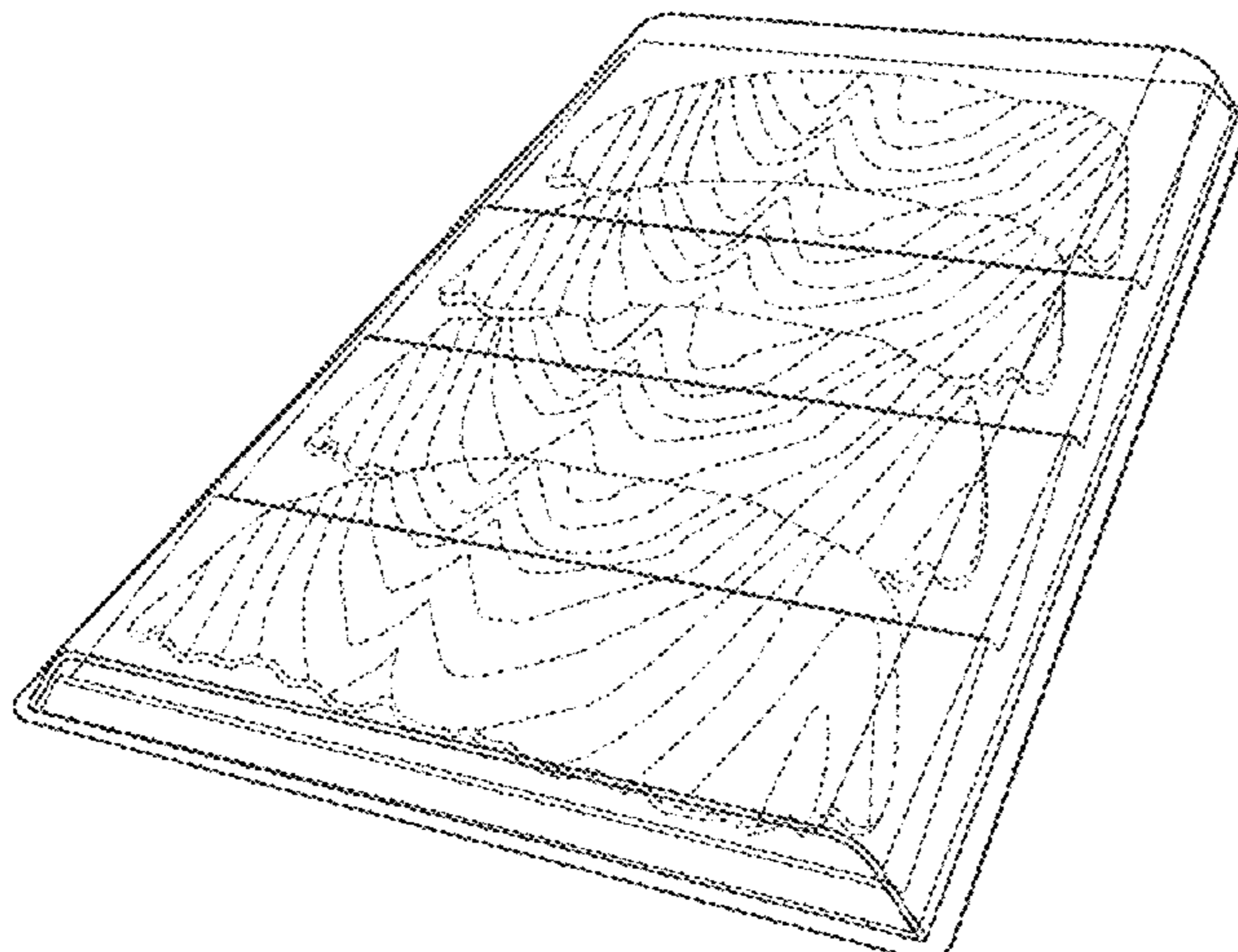
3,168,192 A \* 2/1965 Nicholson ..... B65D 5/5206

206/45.24

(Continued)

*Primary Examiner* — Rhea Shields

**1 Claim, 9 Drawing Sheets**  
**(1 of 9 Drawing Sheet(s) Filed in Color)**



# US D958,646 S

Page 2

(30) **Foreign Application Priority Data**

Oct. 22, 2018 (EM) ..... 005803996-003  
Oct. 22, 2018 (EM) ..... 005803996-004  
Oct. 22, 2018 (EM) ..... 005803996-005  
Oct. 22, 2018 (EM) ..... 005803996-006  
Oct. 22, 2018 (EM) ..... 005803996-007  
Oct. 22, 2018 (EM) ..... 005803996-008  
Oct. 22, 2018 (EM) ..... 005803996-009  
Oct. 22, 2018 (EM) ..... 005803996-010  
Oct. 22, 2018 (EM) ..... 005803996-012  
Oct. 22, 2018 (EM) ..... 005803996-013  
Oct. 22, 2018 (EM) ..... 005803996-014  
Oct. 22, 2018 (EM) ..... 005803996-014

(58) **Field of Classification Search**

CPC ..... B42F 7/10; A47F 5/005; A45C 11/18204;  
B65D 75/24; B65D 5/5206; B65D 1/36;  
B65D 21/045

See application file for complete search history.

(56) **References Cited**

U.S. PATENT DOCUMENTS

D237,779 S \* 11/1975 Lucas ..... D9/426  
4,009,817 A \* 3/1977 Marshall ..... B65D 1/36  
229/406  
4,832,208 A \* 5/1989 Finnegan ..... A47F 5/005  
206/564  
5,154,294 A \* 10/1992 Dunford ..... B65D 21/045  
206/387.15  
D352,454 S \* 11/1994 Krupa ..... D9/425  
D443,509 S \* 6/2001 Nantel ..... D9/423  
D500,635 S \* 1/2005 Barry ..... D7/504  
6,929,116 B2 \* 8/2005 Chao ..... A45C 11/04  
206/5  
D516,914 S \* 3/2006 Ducharme ..... D9/456  
D536,261 S \* 2/2007 Raile ..... D9/756  
D571,654 S \* 6/2008 Maroofian ..... D9/420  
D654,377 S \* 2/2012 Cassidy ..... D9/758  
D657,904 S \* 4/2012 Mayfield, III ..... D26/122  
8,215,485 B2 \* 7/2012 Maroofian ..... B65D 75/24  
206/445  
D665,273 S \* 8/2012 Castelletti ..... D9/758  
D702,998 S \* 4/2014 Fugere ..... D7/409  
D741,041 S \* 10/2015 Walker ..... D1/121  
D812,476 S \* 3/2018 Bergeron ..... D9/456  
D858,203 S \* 9/2019 Stevenson ..... D7/553.2  
11,072,198 B1 \* 7/2021 Savryha ..... B42F 7/10

\* cited by examiner

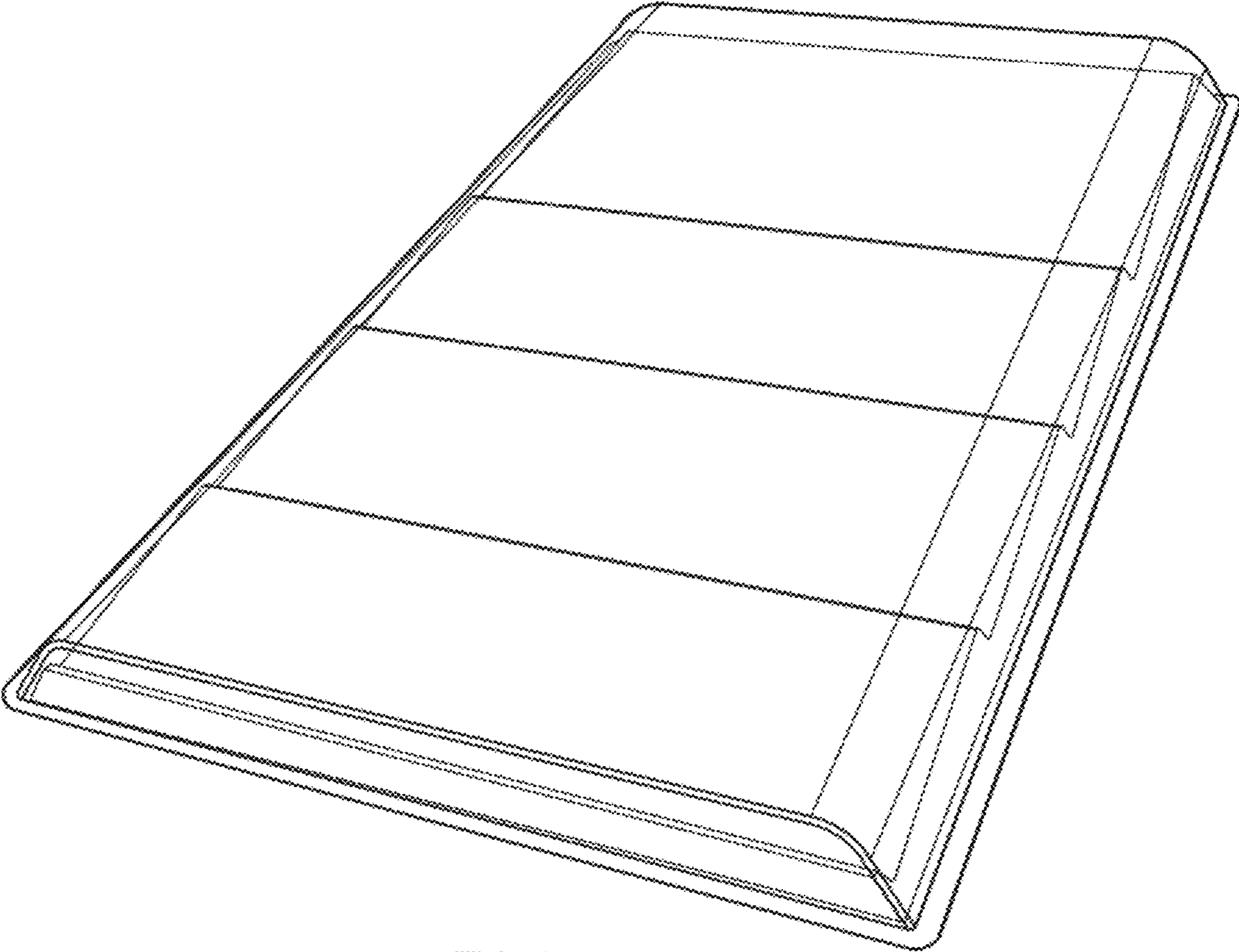


FIG. 1



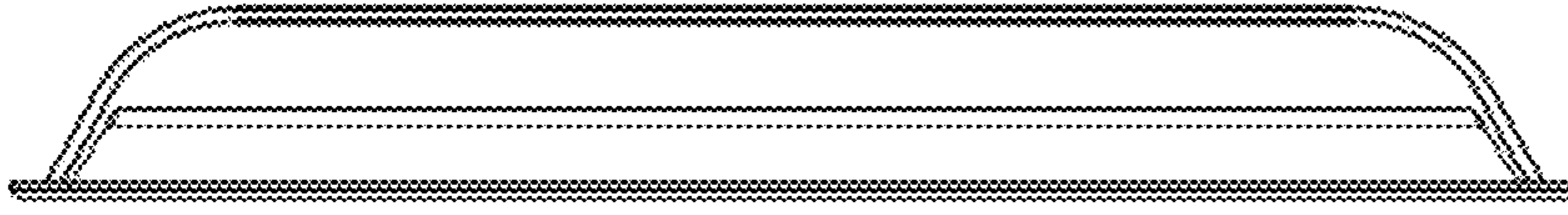


FIG.3

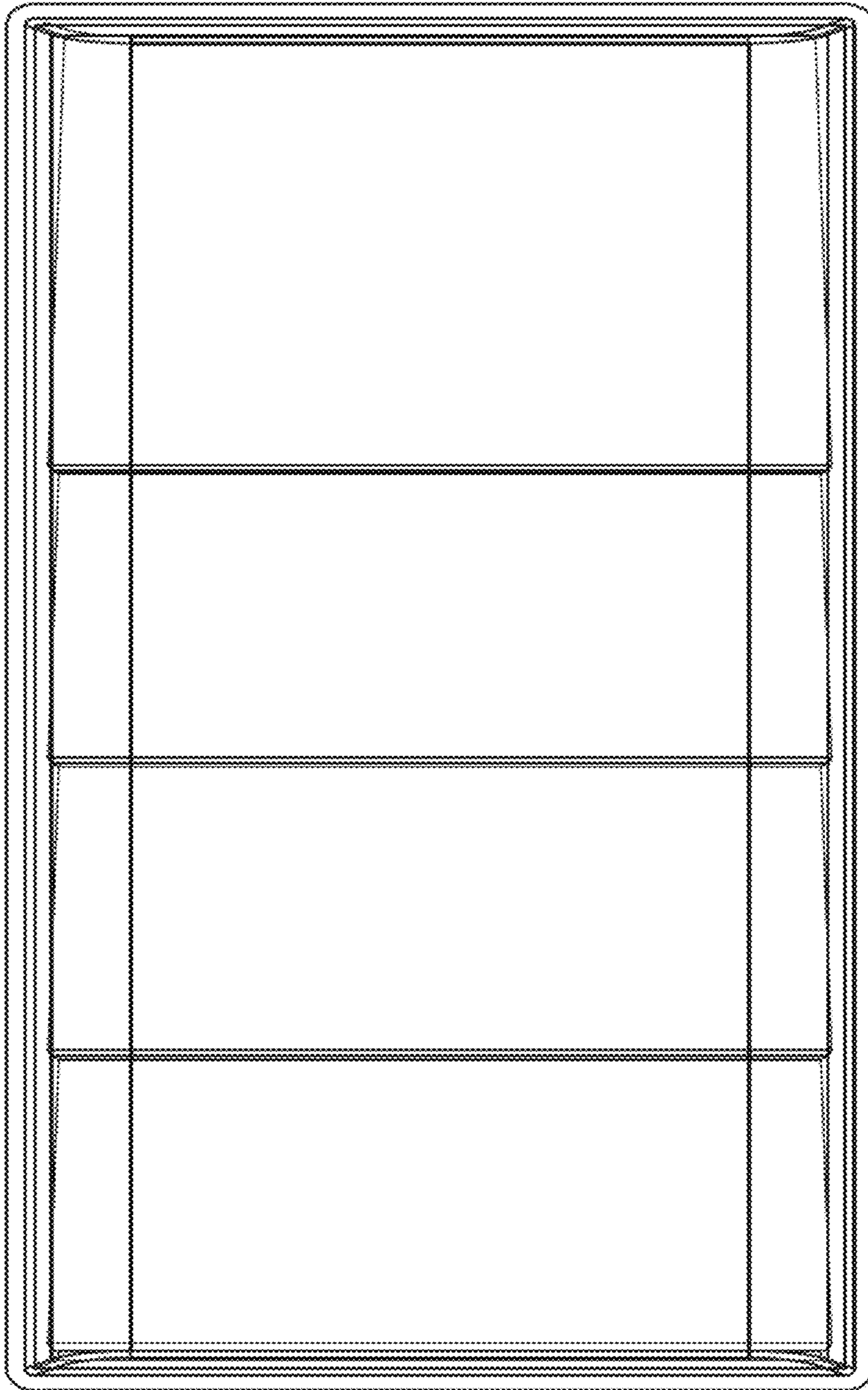


FIG.2

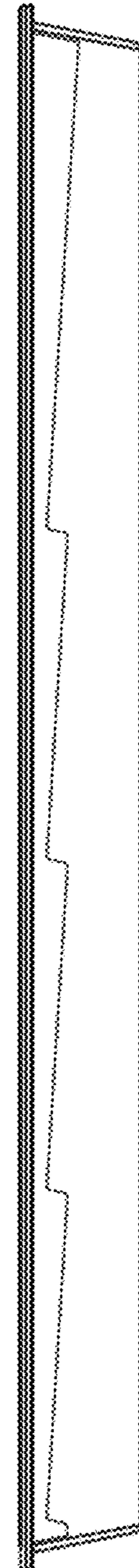


FIG.4

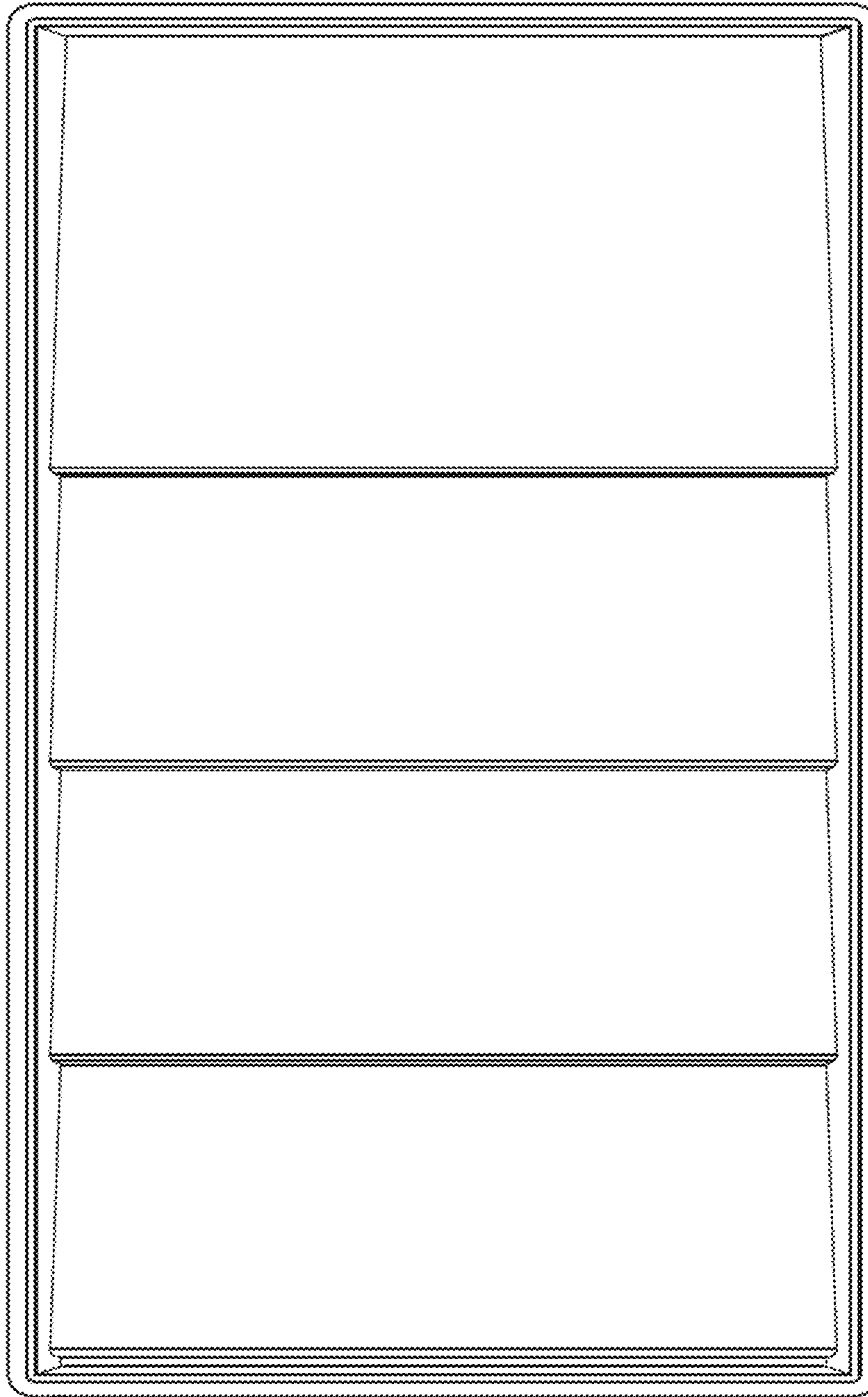


FIG. 5

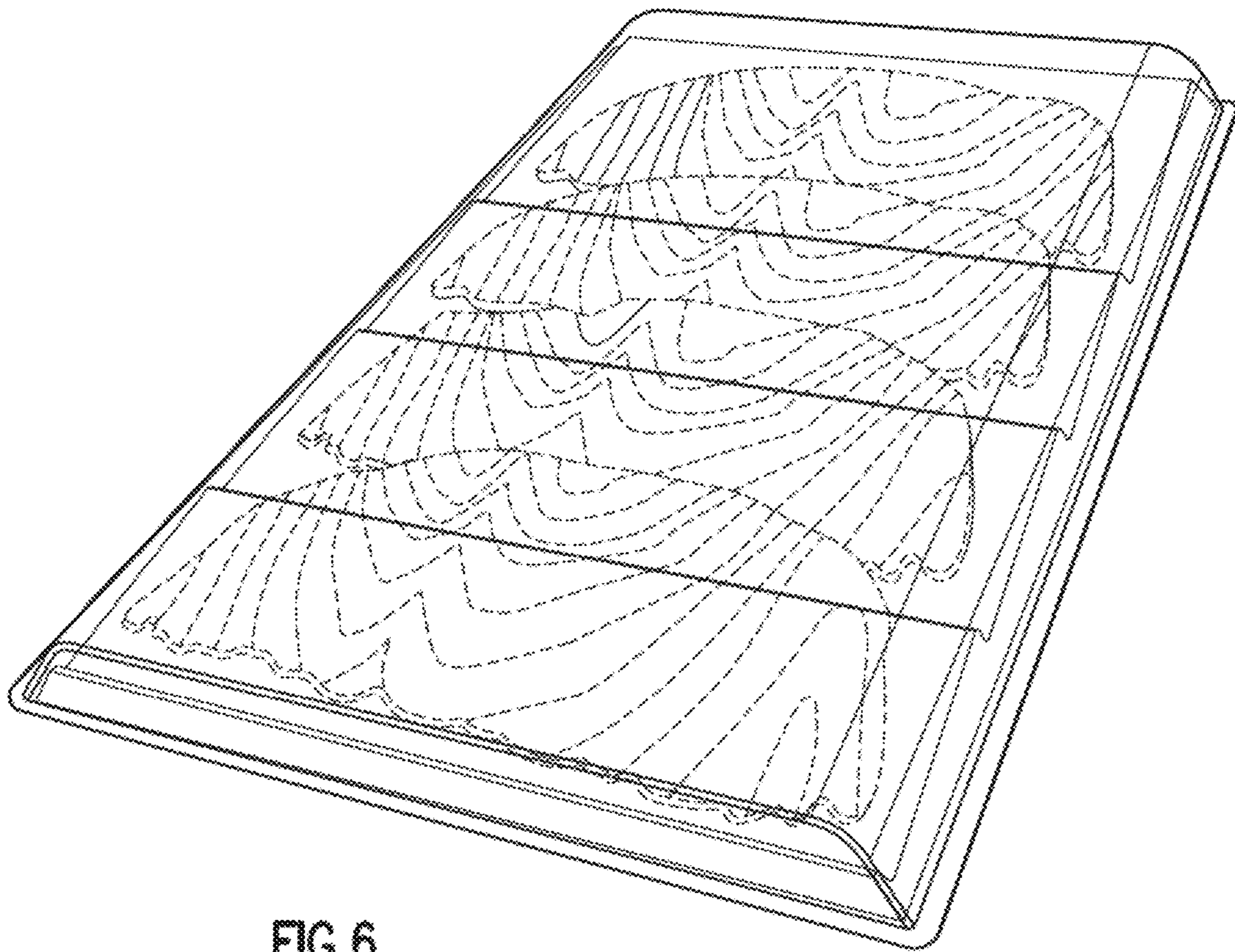


FIG. 6



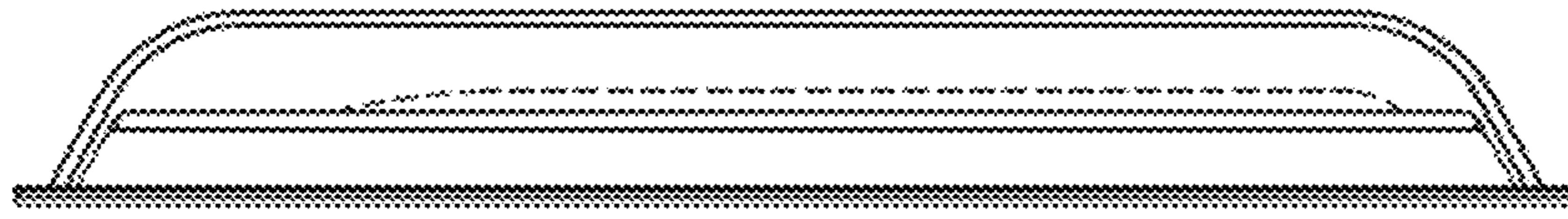


FIG. 8

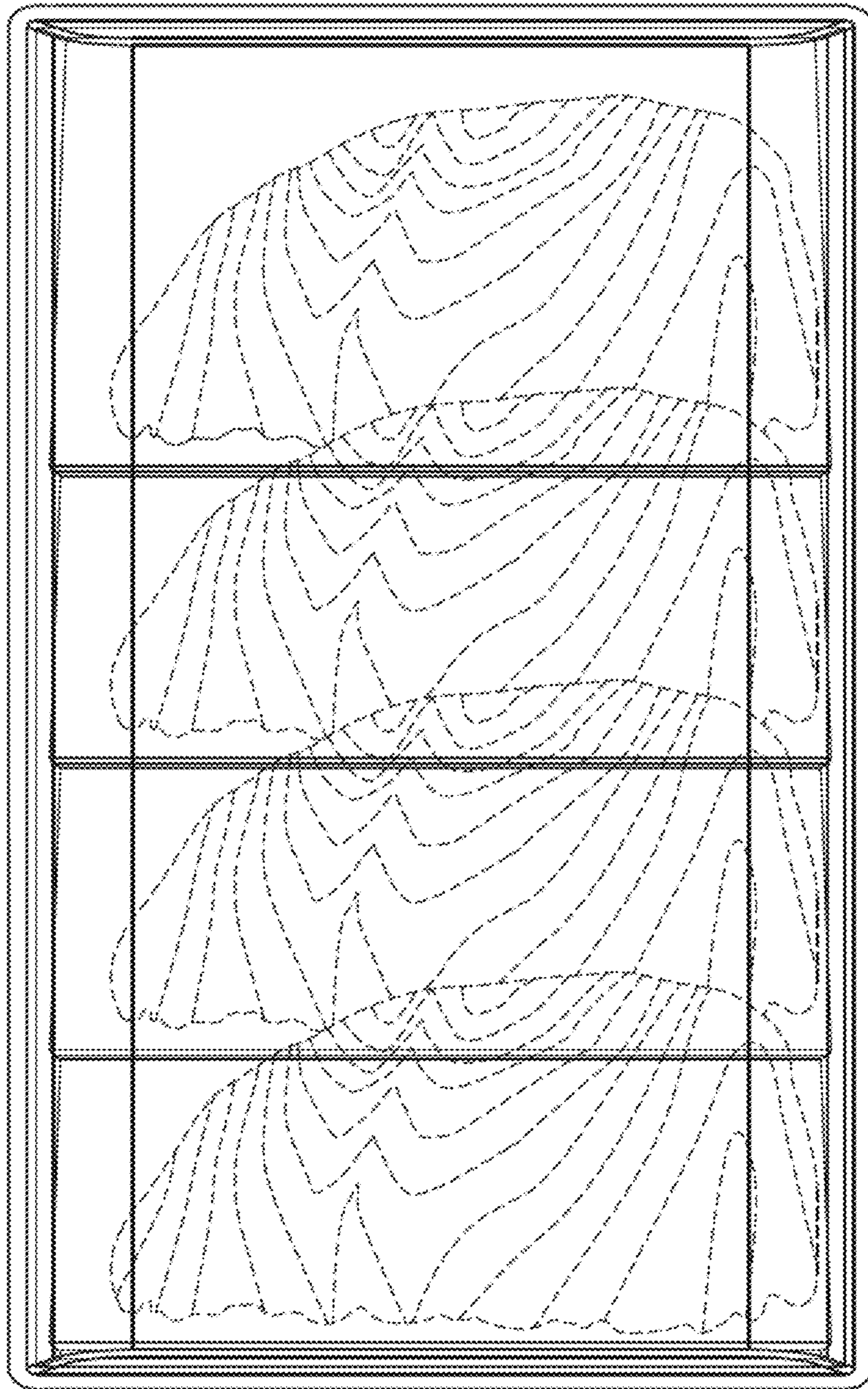


FIG. 7

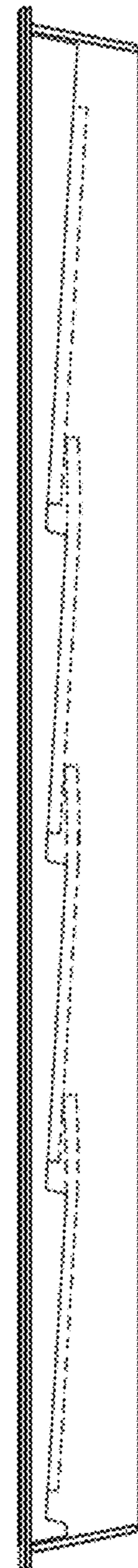


FIG. 9

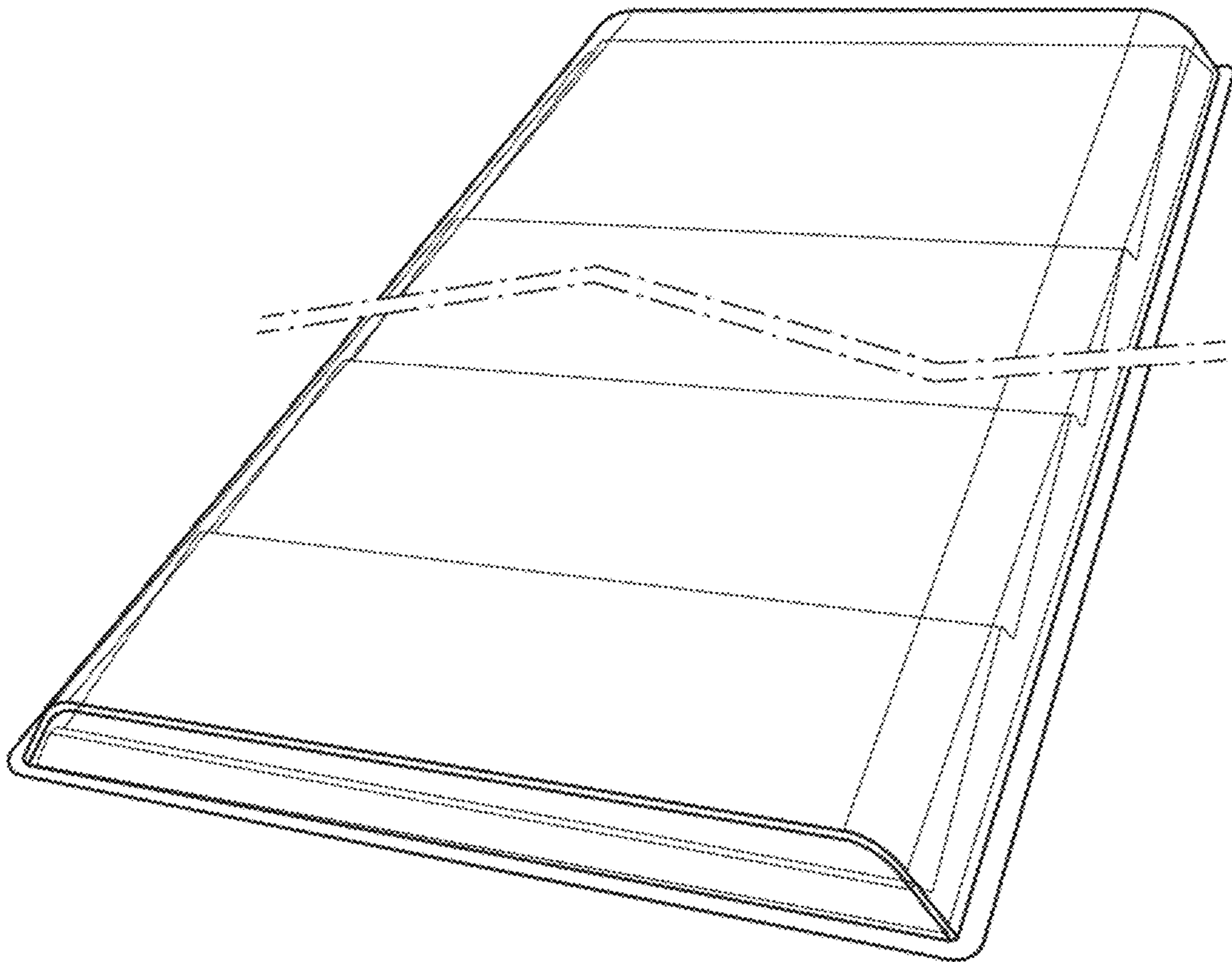


FIG. 10



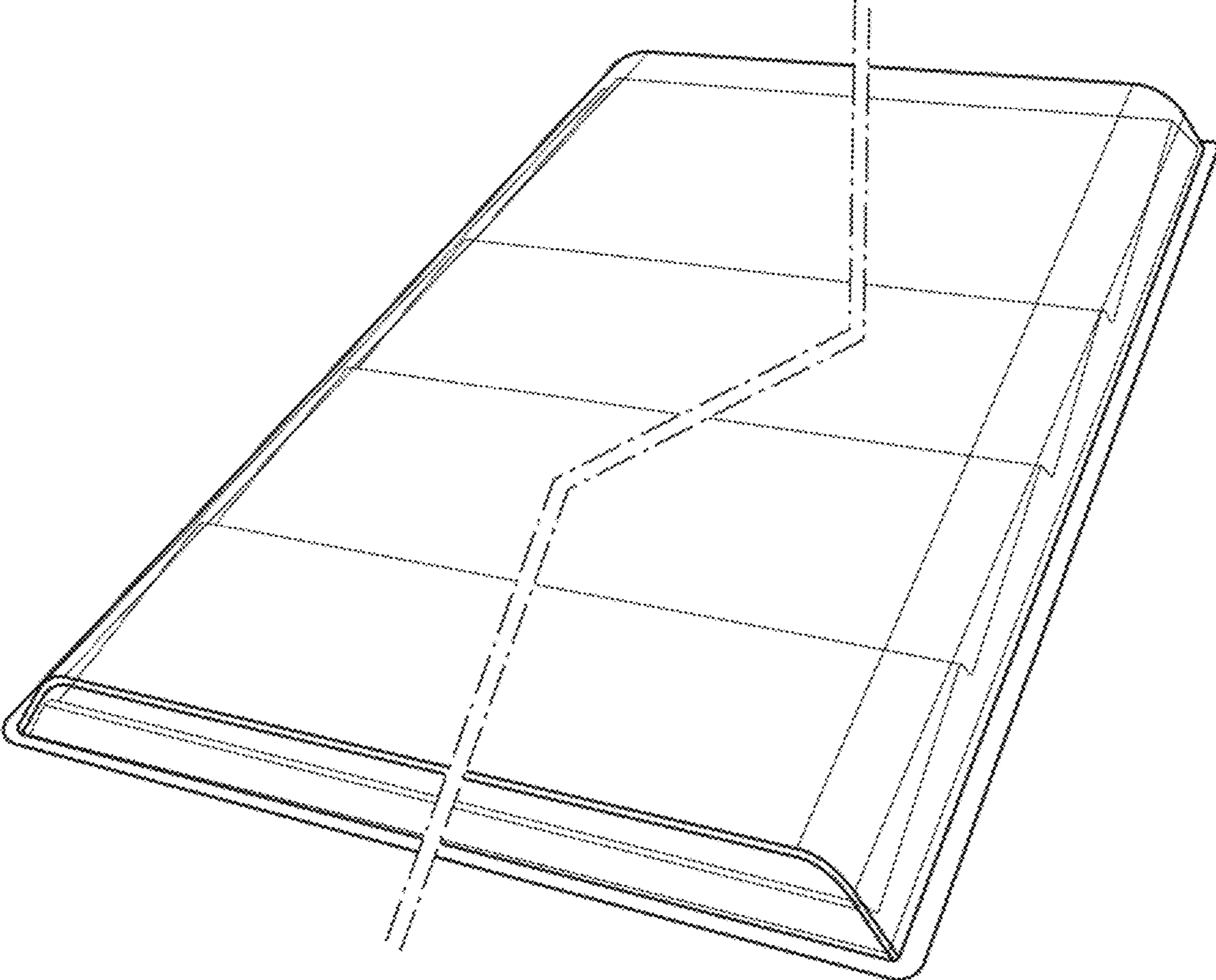


FIG. 11

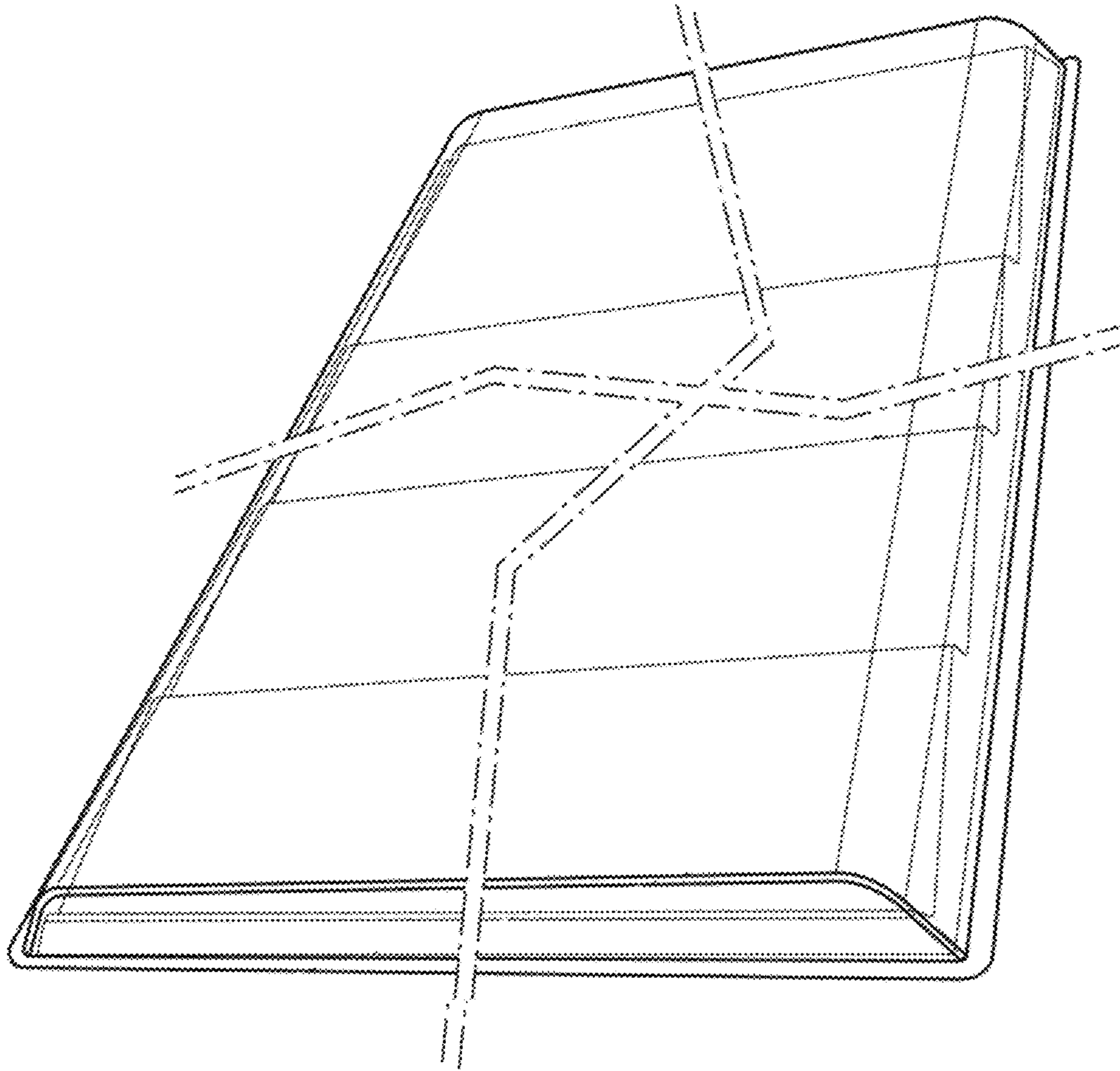


FIG. 12

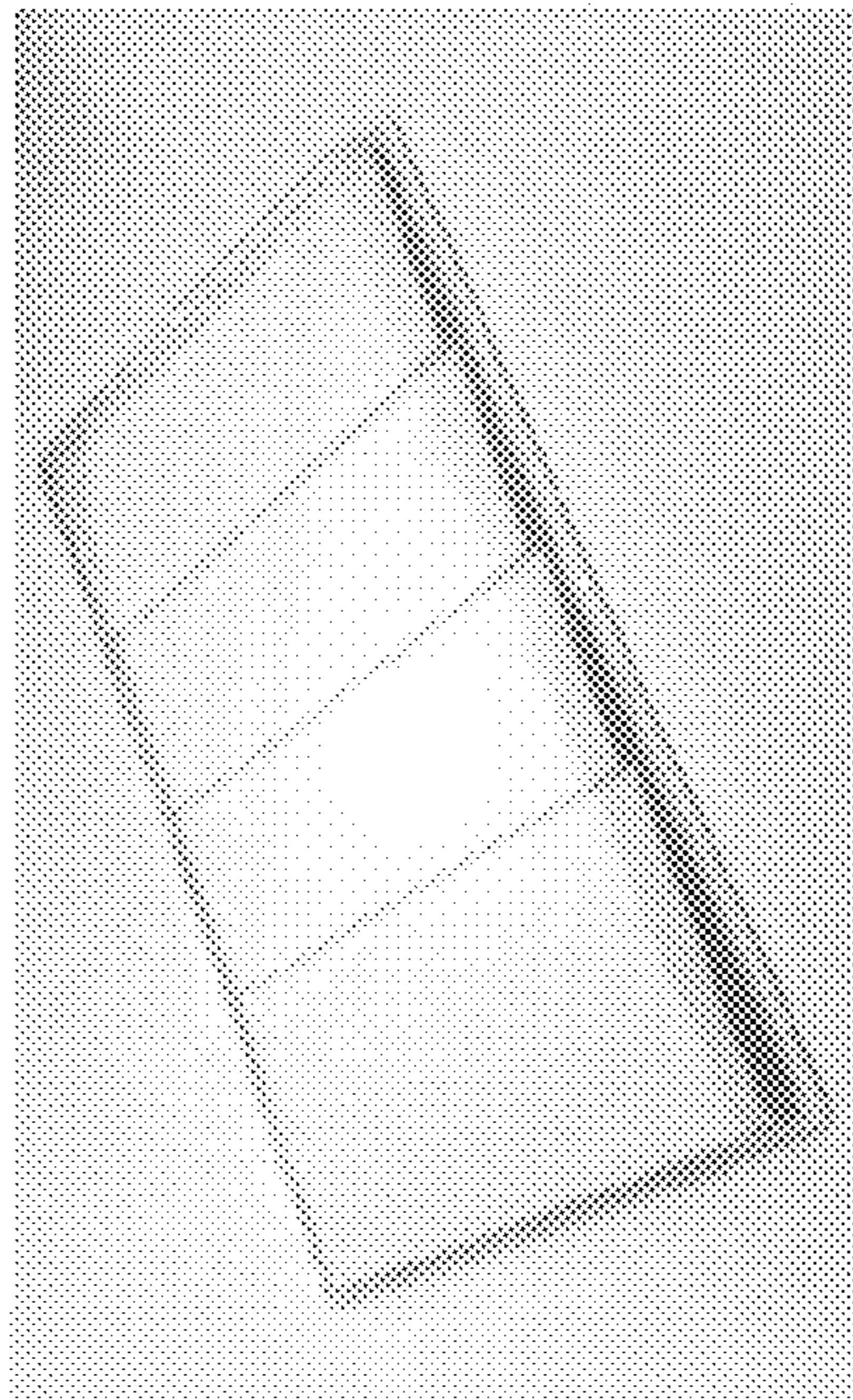


FIG. 13