



US00D958645S

(12) **United States Design Patent** (10) **Patent No.:** **US D958,645 S**  
**Debnath et al.** (45) **Date of Patent:** **\*\* Jul. 26, 2022**

(54) **PACKAGE**

(71) Applicant: **GlaxoSmithKline Consumer Healthcare Holdings (US) LLC**,  
Wilmington, DE (US)

(72) Inventors: **Gautam Debnath**, Warren, NJ (US);  
**Jeffrey Scott Brunner**, Warren, NJ (US)

(73) Assignee: **GlaxoSmithKline Consumer Healthcare Holdings (US) LLC**,  
Wilmington, DE (US)

(\*\*) Term: **15 Years**

(21) Appl. No.: **29/695,706**

(22) Filed: **Jun. 21, 2019**

**Related U.S. Application Data**

(62) Division of application No. 29/645,588, filed on Apr. 27, 2018, now Pat. No. Des. 856,793, which is a division of application No. 29/591,017, filed on Jan. 16, 2017, now Pat. No. Des. 818,818.

(51) **LOC (13) Cl.** ..... **09-03**

(52) **U.S. Cl.**  
USPC ..... **D9/415**; D9/430; D9/721

(58) **Field of Classification Search**  
USPC ..... D9/414, 415, 423, 424, 425, 430, 737;  
D7/400, 553.1, 553.2, 554.3, 545, 555,  
D7/601, 602, 629, 630

CPC ..... B65D 2543/00296; B65D 2543/00092;  
B65D 85/8043; B65D 43/0212; B65D  
1/0223; B65D 2543/00509; B65D  
2543/00731; B65D 79/005; B65D 25/04;  
B65D 2543/00805; B65D 1/36; B65D  
85/72; B65D 1/34; B65D 81/3453; B65D  
51/20; B65D 2543/00027; B65D  
2543/00648; B65D 2543/00972; B65D  
85/73; B65D 2543/00416; B65D  
2543/00694; B65D 25/00; B65D 81/3216;

B65D 2543/00759; B65D 1/0207; B65D  
81/3205; B65D 2519/00288; B65D  
2519/00034; B65D 2519/00069; B65D  
25/08; B65D 1/24; B65D 2519/00174;  
B65D 2519/00268; B65D 2519/00318;  
B65D 77/003; B65D 2519/00208

See application file for complete search history.

(56) **References Cited**

U.S. PATENT DOCUMENTS

D278,979 S 5/1985 Anderson  
D283,051 S 3/1986 Fichera  
D386,200 S 11/1997 Winston  
6,152,302 A 11/2000 Miller  
D441,645 S 5/2001 Longhurst  
D451,382 S 12/2001 Adkins  
D463,274 S 9/2002 Green

(Continued)

*Primary Examiner* — Lauren R Calve

(74) *Attorney, Agent, or Firm* — Diane E. Furman

(57) **CLAIM**

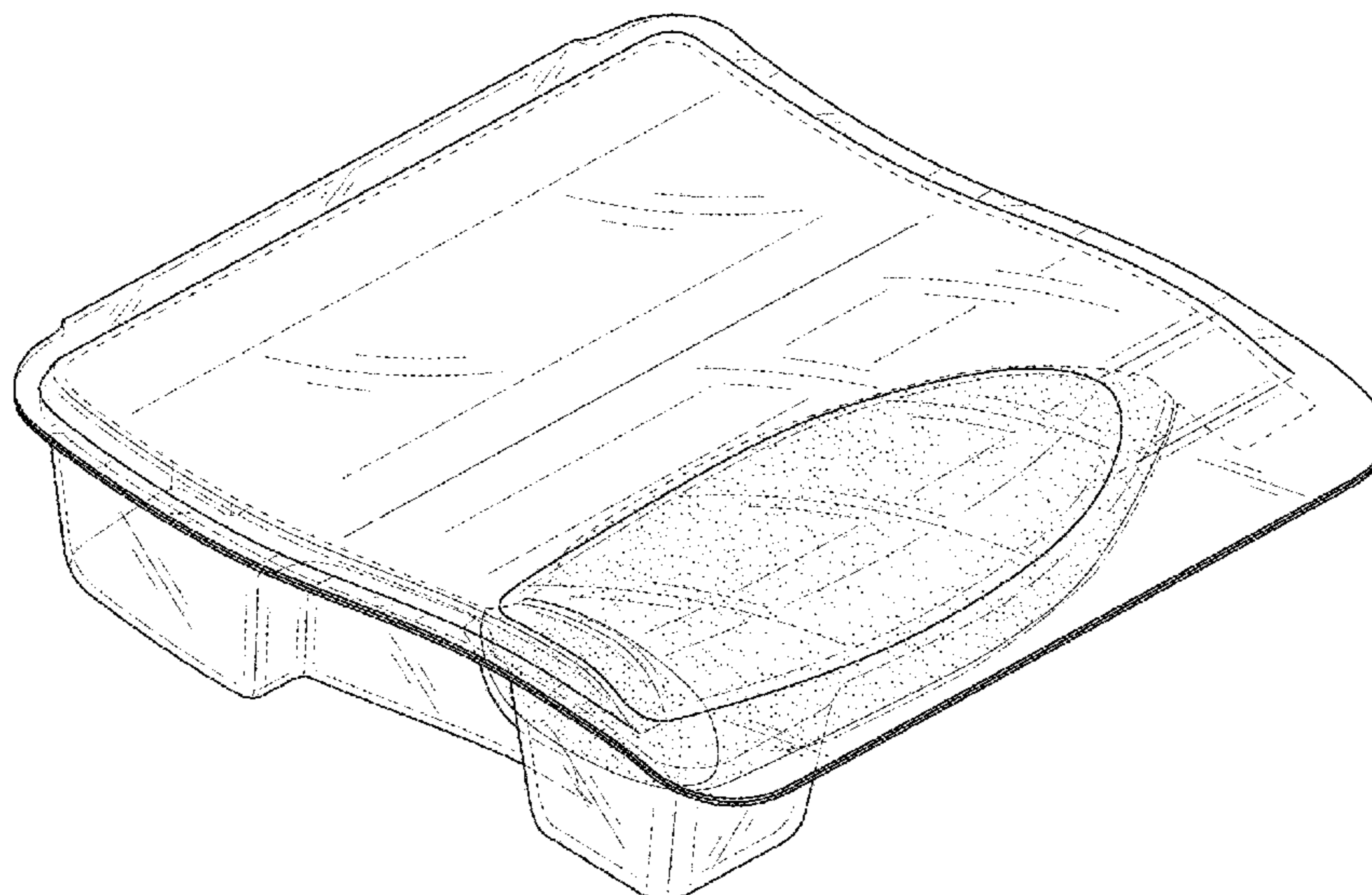
We claim the ornamental design for a package, as shown and described.

**DESCRIPTION**

FIG. 1 is a bottom front perspective view of a package;  
FIG. 2 is a top front perspective view thereof;  
FIG. 3 is a top rear perspective view thereof;  
FIG. 4 is a bottom rear perspective view thereof;  
FIG. 5 is a right side view thereof;  
FIG. 6 is a left side view thereof;  
FIG. 7 is a top view thereof;  
FIG. 8 is a bottom view thereof;  
FIG. 9 is a front view thereof; and,  
FIG. 10 is a rear view thereof.

The broken lines shown represent portions of the package that form no part of the claimed design.

**1 Claim, 10 Drawing Sheets**



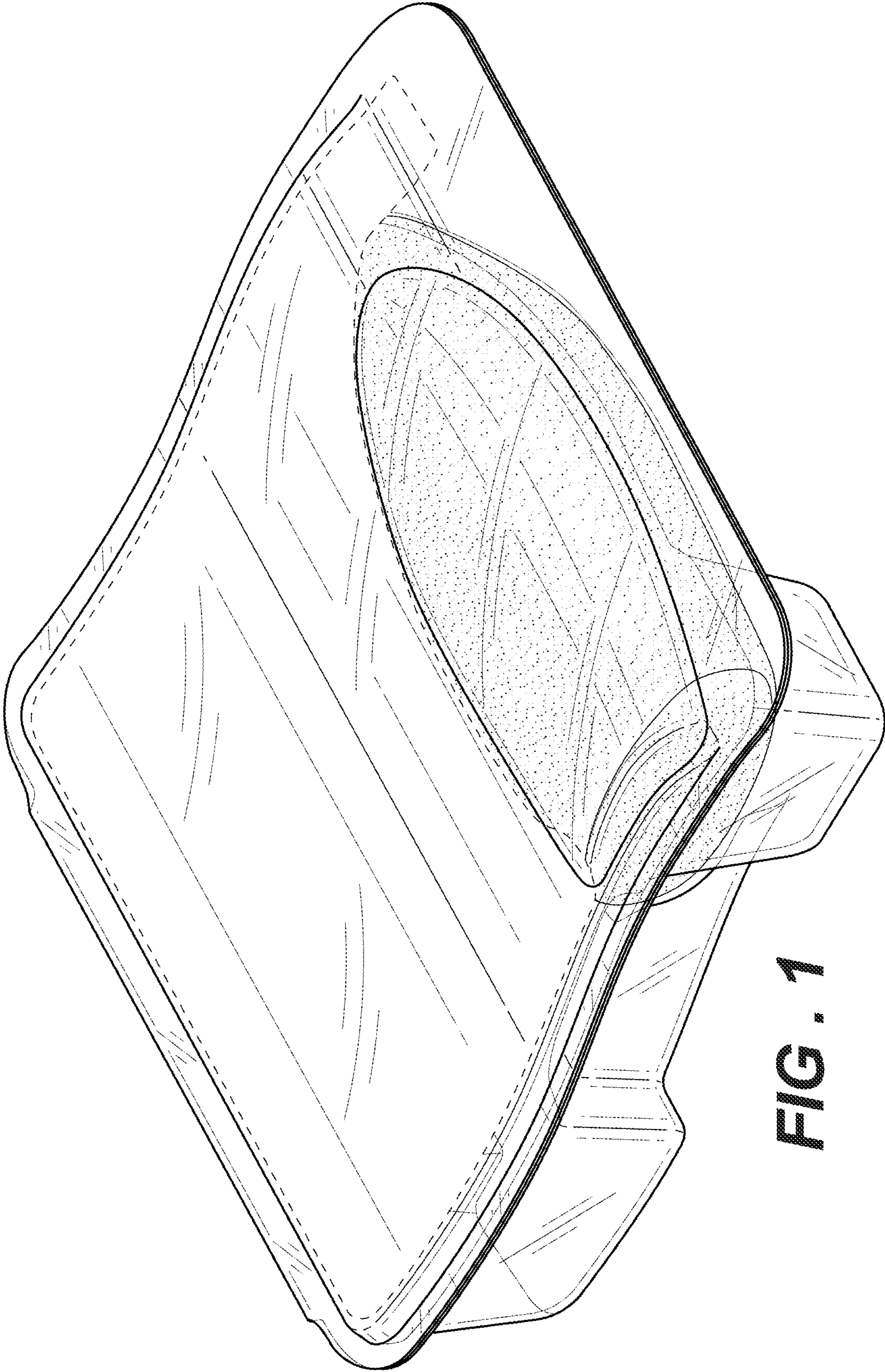
(56)

References Cited

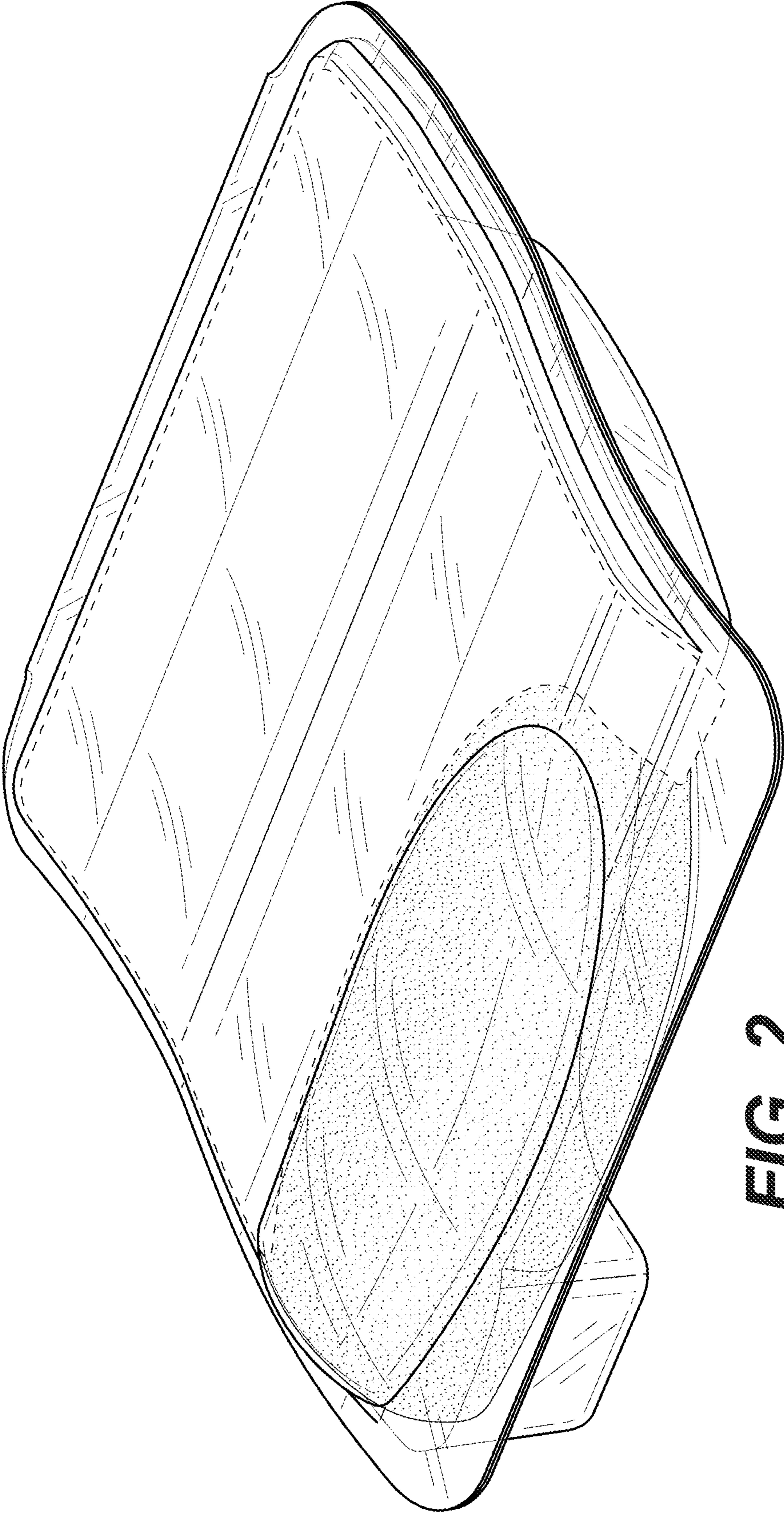
U.S. PATENT DOCUMENTS

6,454,115	B1	9/2002	Allasia	
D471,099	S	3/2003	Yang	
D519,364	S	4/2006	Kopp	
D584,606	S	1/2009	Wintmolders	
8,006,834	B2	8/2011	Marcinkowski	
D646,156	S	10/2011	Maxwell-Wood	
D669,774	S	10/2012	Yamaguchi	
D683,210	S	5/2013	Cox	
D697,398	S	1/2014	Guevara-Ludt	
D698,643	S	2/2014	Malley	
D708,056	S	7/2014	Larson	
D747,964	S	1/2016	Limback	
D775,945	S	1/2017	DiChiara	
D785,451	S	5/2017	Biery	
9,943,641	B2	4/2018	Morrison	
D818,818	S	5/2018	Debnath	
D856,793	S *	8/2019	Debnath	D9/415
D885,933	S *	6/2020	Arendt	D9/737
D915,904	S *	4/2021	Duarte de Castro	D9/737
D920,093	S *	5/2021	DiChiara	D9/415
11,116,937	B2 *	9/2021	Dickinson	A61M 25/002
2005/0092644	A1	5/2005	Cafferata	
2006/0011505	A1	1/2006	Chen	
2007/0178194	A1 *	8/2007	Everard	A23G 3/54 426/106
2007/0187274	A1 *	8/2007	Dalea	B65D 75/245 206/471
2009/0159483	A1	6/2009	Hinze	
2009/0186132	A1	7/2009	Mangino	
2012/0305426	A1	12/2012	Valaie	
2015/0360840	A1 *	12/2015	Tilahun	G06Q 30/0241 426/87
2017/0057720	A1	3/2017	Biery	
2017/0266873	A1	9/2017	Crosby	

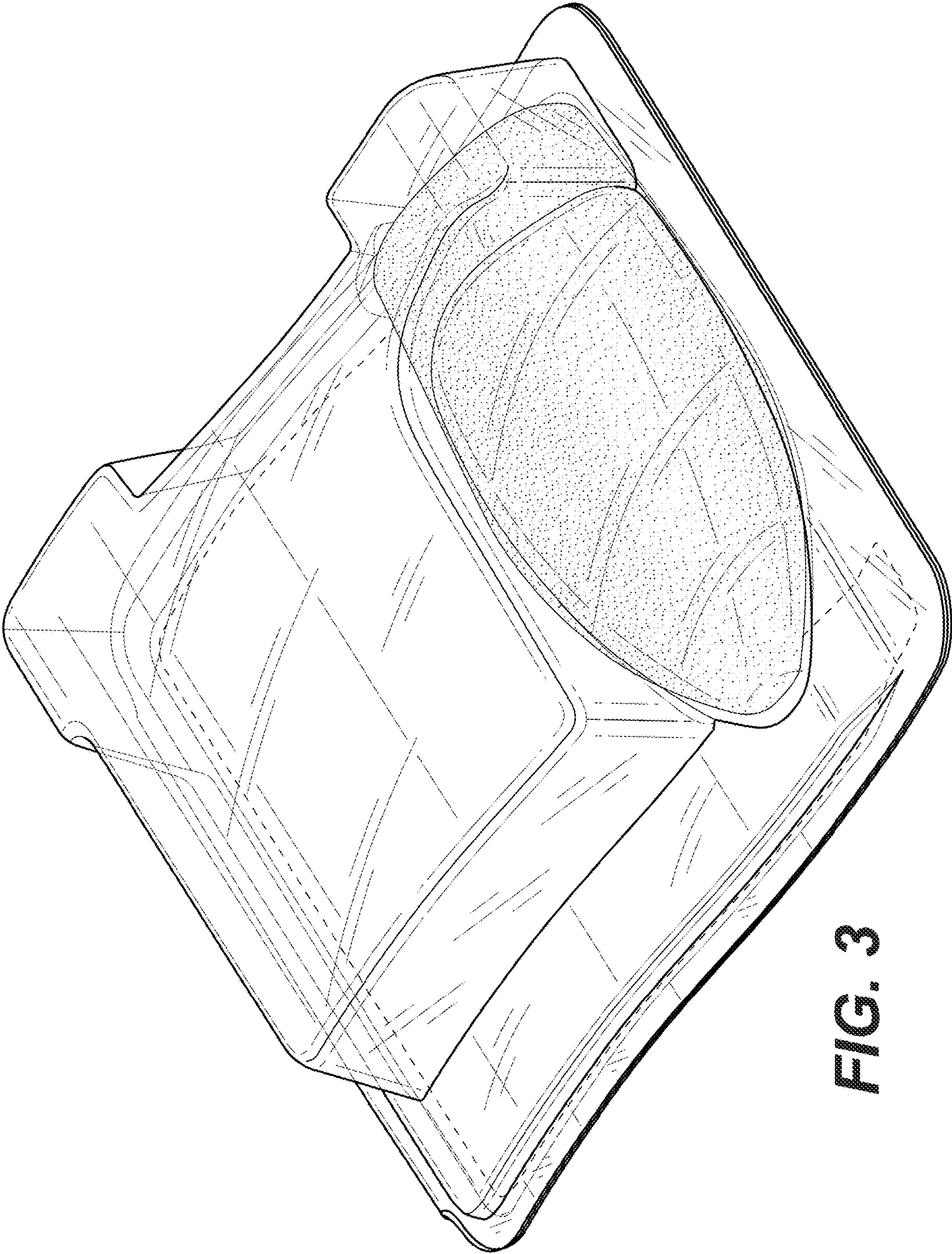
\* cited by examiner



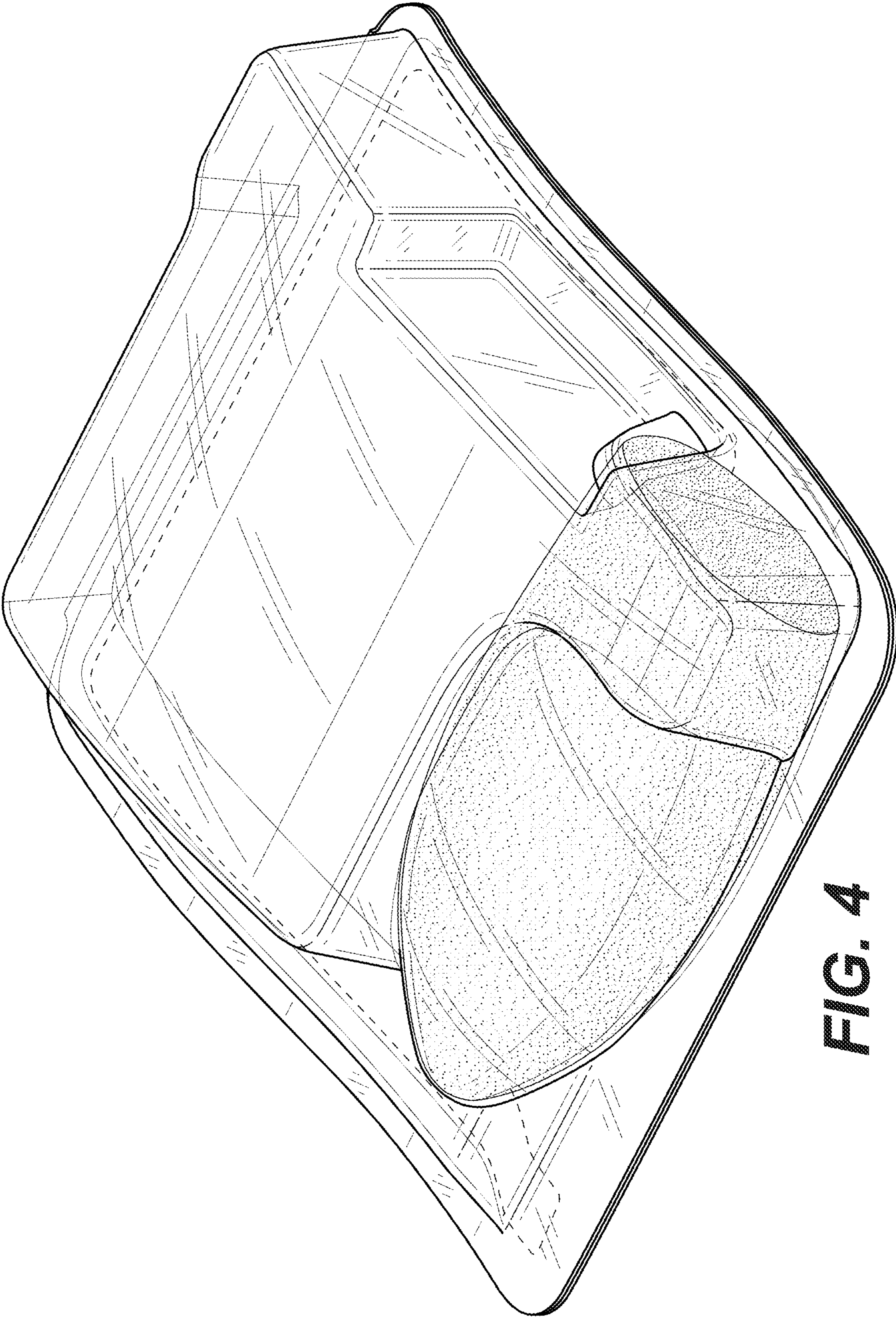
**FIG. 1**



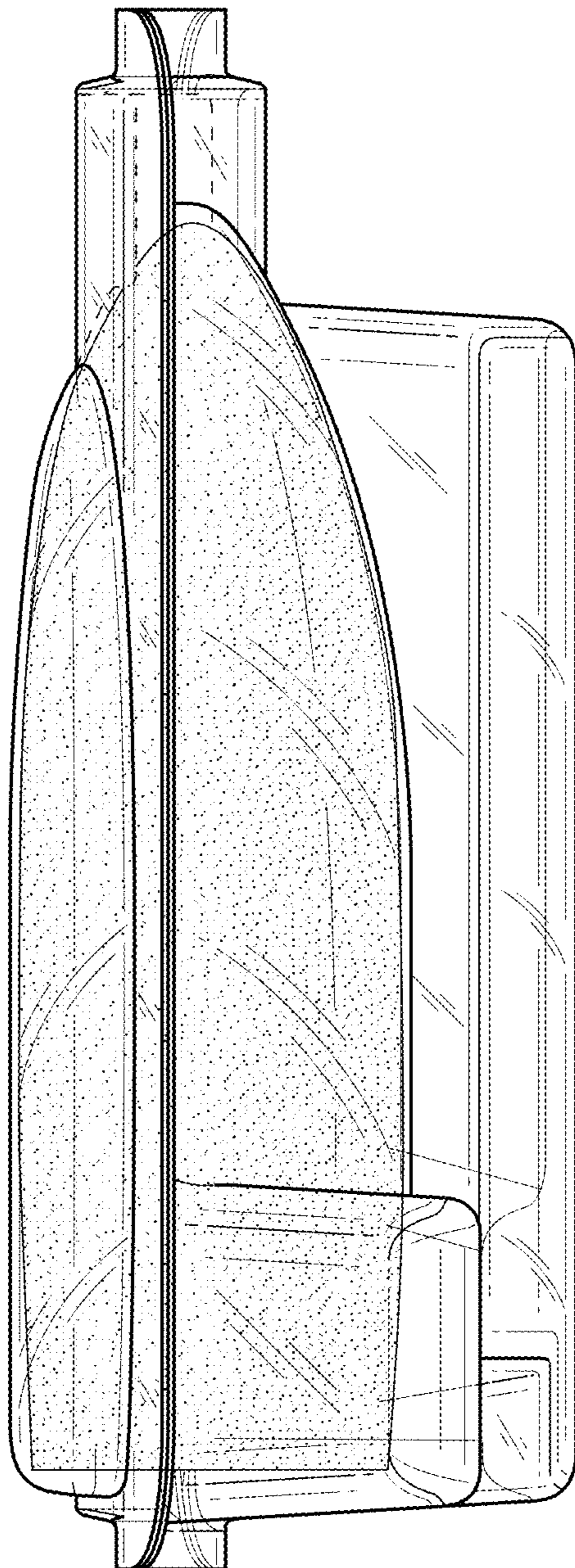
**FIG. 2**



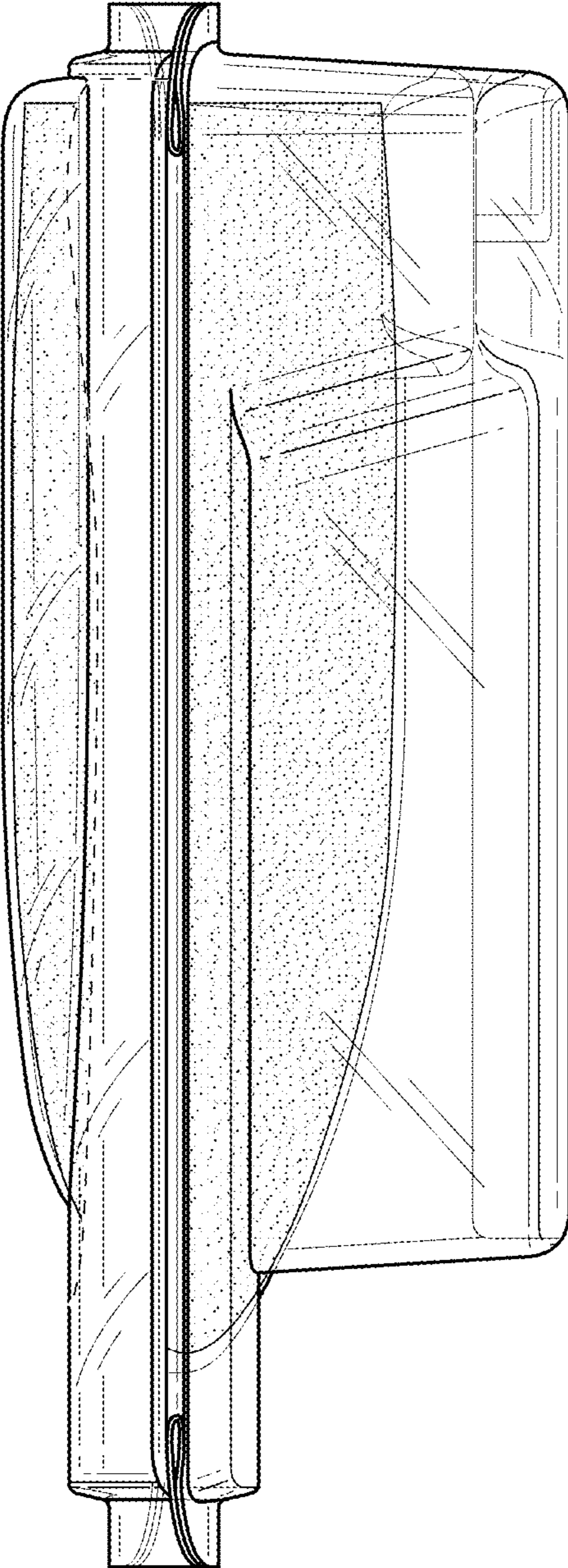
**FIG. 3**



**FIG. 4**

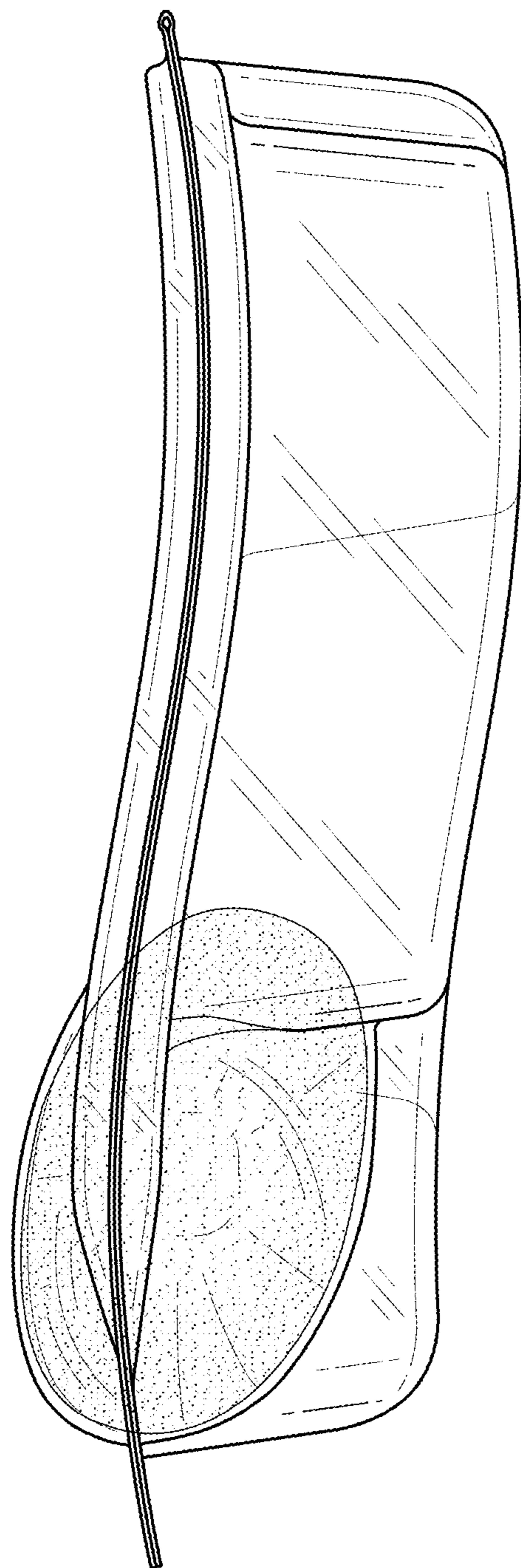


**FIG. 5**

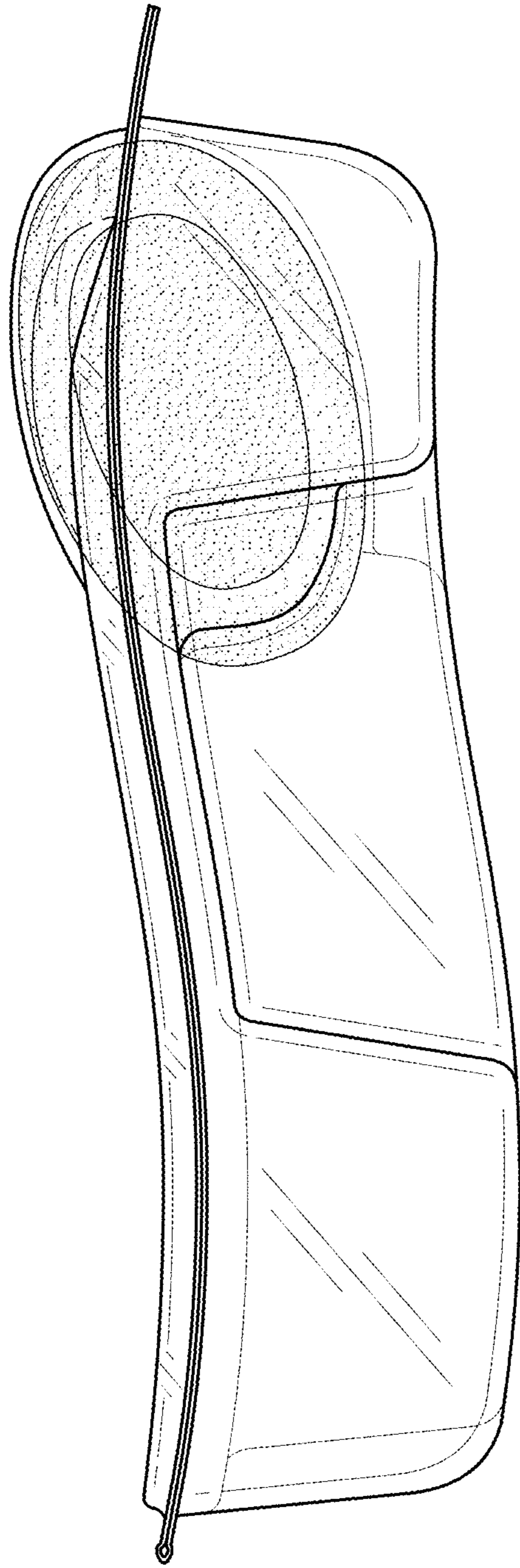


**FIG. 6**

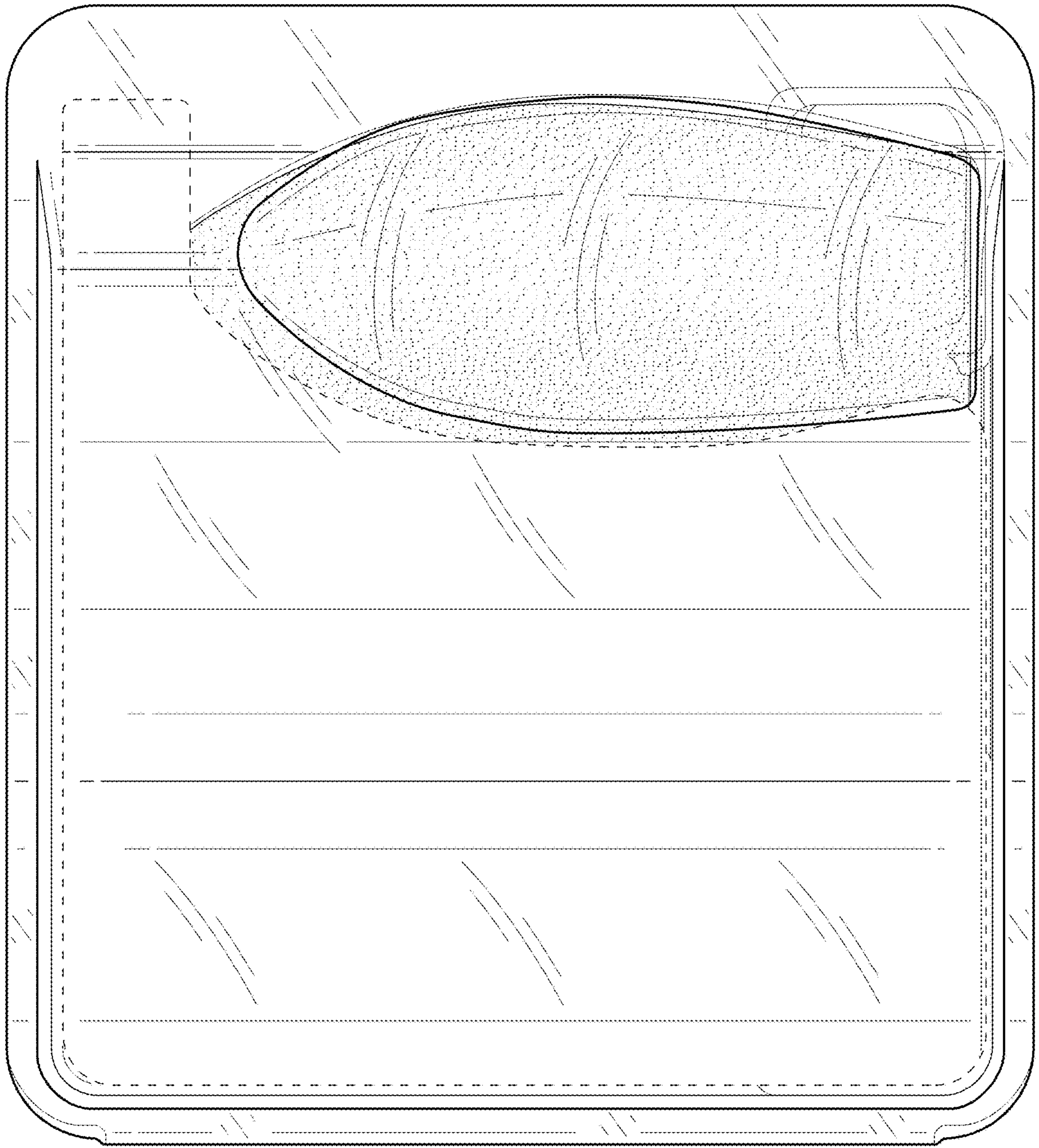




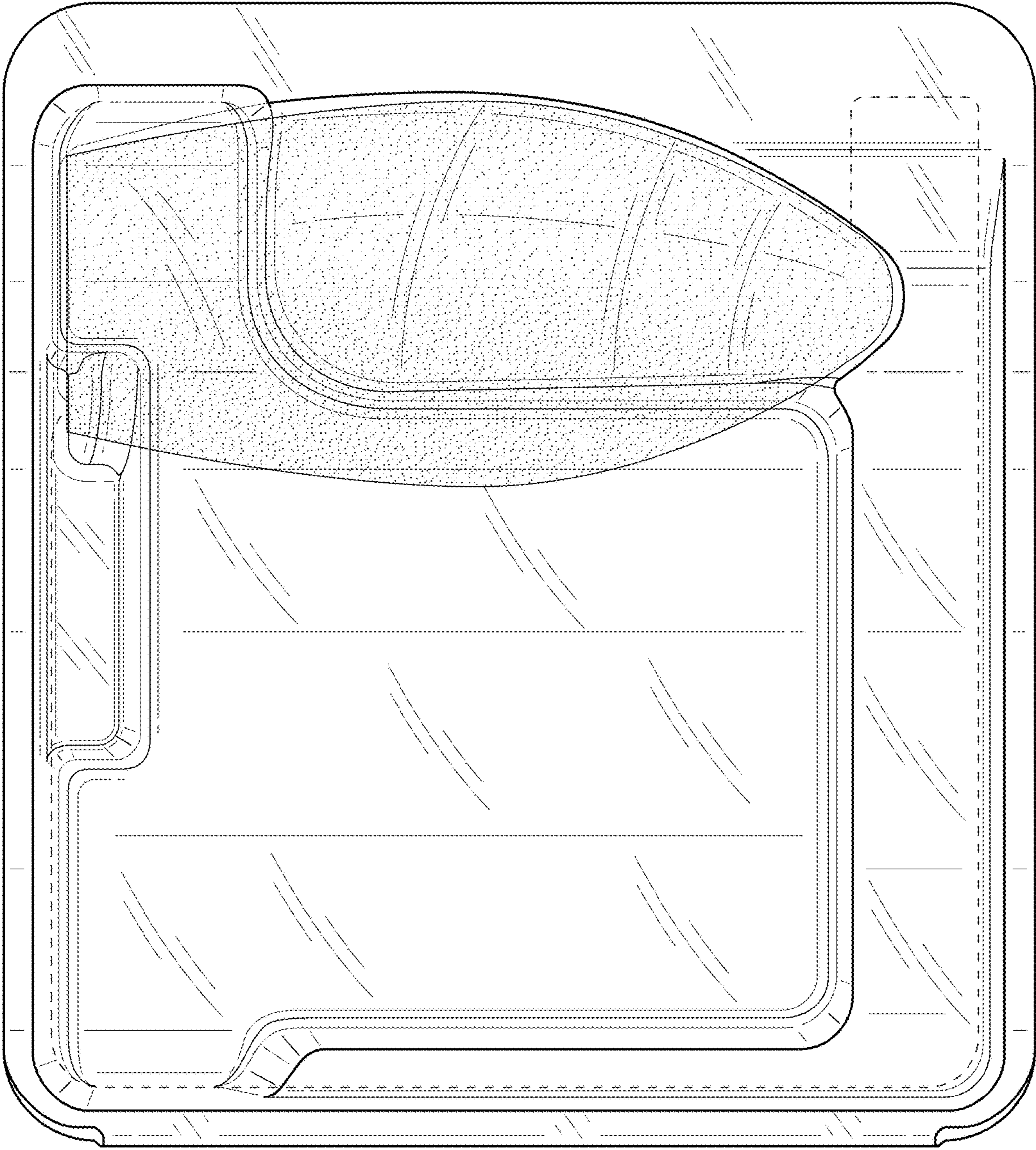
**FIG. 7**



**FIG. 8**



**FIG. 9**



**FIG. 10**