



US00D958643S

(12) **United States Design Patent**  
**Glickman**

(10) **Patent No.:** **US D958,643 S**

(45) **Date of Patent:** **\*\* Jul. 26, 2022**

(54) **CORNER PROTECTOR**

(71) Applicant: **Justin Glickman**, Talboton (ZA)

(72) Inventor: **Justin Glickman**, Talboton (ZA)

(\*\*) Term: **15 Years**

(21) Appl. No.: **29/767,835**

(22) Filed: **Jan. 26, 2021**

(51) **LOC (13) Cl.** ..... **08-09**

(52) **U.S. Cl.**  
USPC ..... **D8/403**

(58) **Field of Classification Search**  
USPC ..... D8/395, 400-404, 499, 391, 393, 388,  
D8/360, 376, 356; D25/119, 121  
CPC ..... Y10T 428/24198; Y10T 428/2902; B60R  
13/043  
See application file for complete search history.

(56) **References Cited**

**U.S. PATENT DOCUMENTS**

D244,166	S	*	5/1977	Wittenberg	.....	D25/119
4,063,702	A		12/1977	Wilde et al.		
D312,439	S	*	11/1990	Adell	.....	D12/167
D325,835	S	*	5/1992	Sollner	.....	D8/403
5,227,217	A	*	7/1993	Roberts	.....	B60R 13/043 49/506
5,447,233	A		9/1995	Smith		
D411,739	S	*	6/1999	Havens	.....	D8/403
D446,870	S	*	8/2001	Gardner	.....	D25/136
D460,199	S	*	7/2002	Brito	.....	D25/113
D461,010	S	*	7/2002	Brito	.....	D25/113
D463,170	S	*	9/2002	Schultz	.....	D6/707.24
6,484,472	B2	*	11/2002	Chi	.....	E04F 19/028 52/312
D557,432	S	*	12/2007	Smith	.....	D25/136
D560,486	S	*	1/2008	Ray	.....	D8/403
D625,595	S	*	10/2010	Park	.....	D8/402

D625,596	S	*	10/2010	Park	.....	D8/402
D675,465	S	*	2/2013	Hartelt	.....	D6/707.2
D715,633	S	*	10/2014	Baker	.....	D8/403
D796,312	S	*	9/2017	Zappone	.....	D25/119
D801,798	S	*	11/2017	Teng	.....	D8/403
D802,411	S	*	11/2017	Teng	.....	D8/403
2003/0155273	A1		8/2003	Myers		
2008/0256881	A1	*	10/2008	Lowry	.....	E06B 3/88 52/211

**FOREIGN PATENT DOCUMENTS**

DE	2951402	6/1981
EP	0570614	11/1993
EP	2684817	1/2014
EP	3173355	5/2017
FR	2691435	11/1993

\* cited by examiner

*Primary Examiner* — Keli L Hill

*Assistant Examiner* — Harold E Blackwell, II

(74) *Attorney, Agent, or Firm* — Haugen Law Firm PLLP

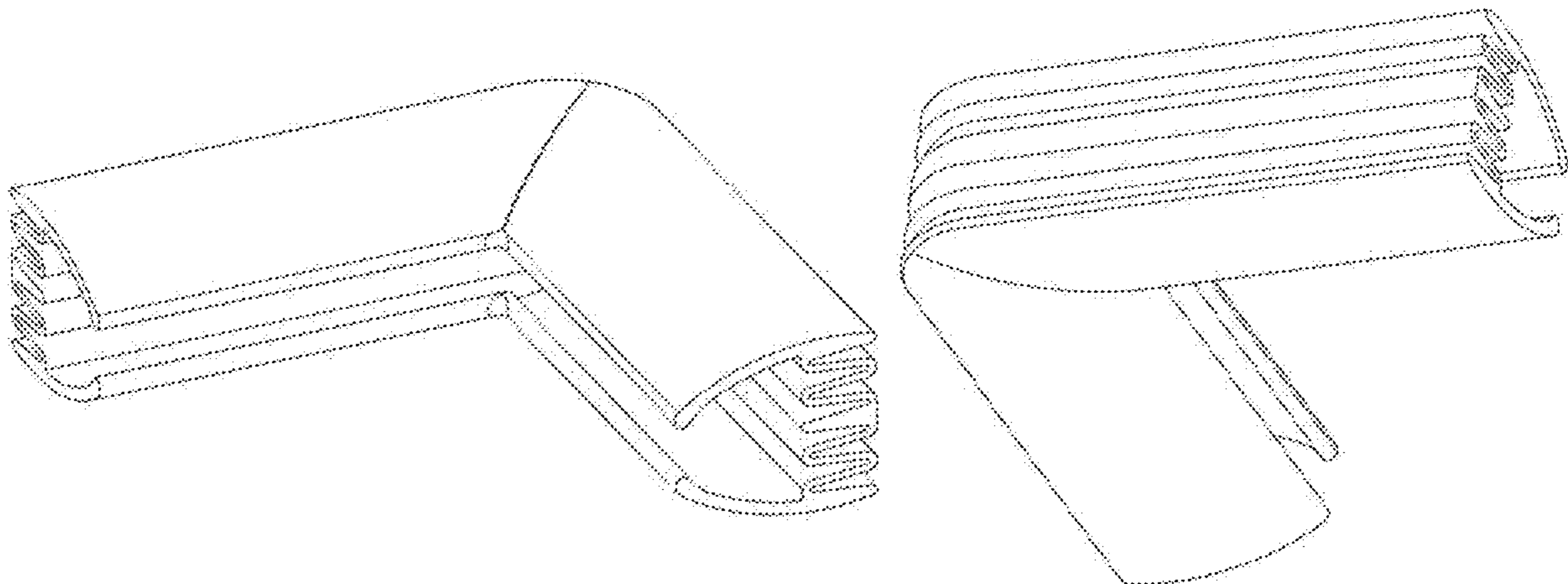
(57) **CLAIM**

The ornamental design for a corner protector, as shown and described.

**DESCRIPTION**

FIG. 1 is a front upper perspective view of a corner protector;  
FIG. 2 is a rear lower perspective view of the corner protector;  
FIG. 3 is a front elevational view of the corner protector;  
FIG. 4 is a rear elevational view of the corner protector;  
FIG. 5 is a left side elevational view of the corner protector;  
FIG. 6 is a right side elevational view of the corner protector;  
FIG. 7 is a top plan view of the corner protector; and,  
FIG. 8 is a bottom plan view of the corner protector.

**1 Claim, 4 Drawing Sheets**



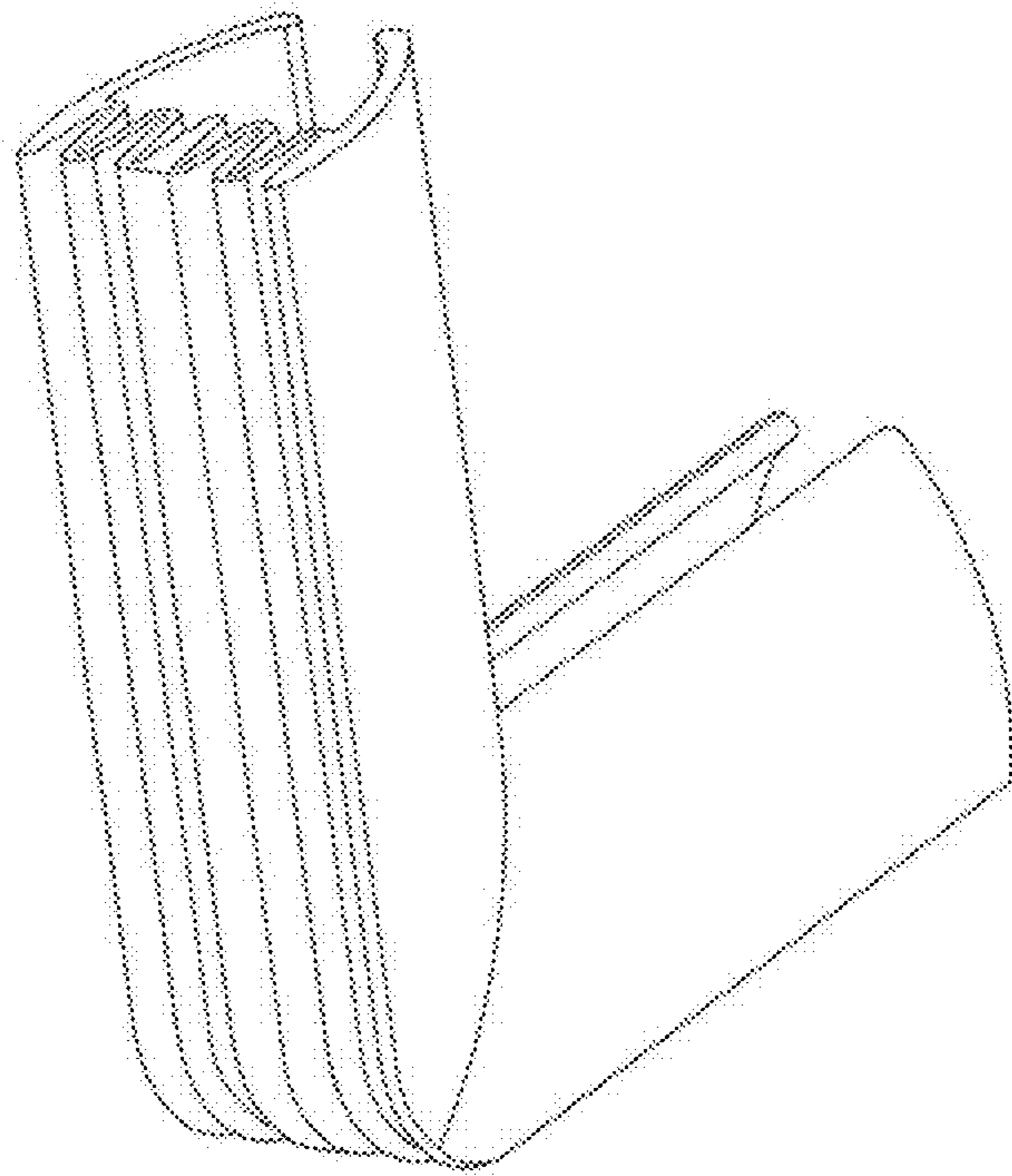


Fig. 2

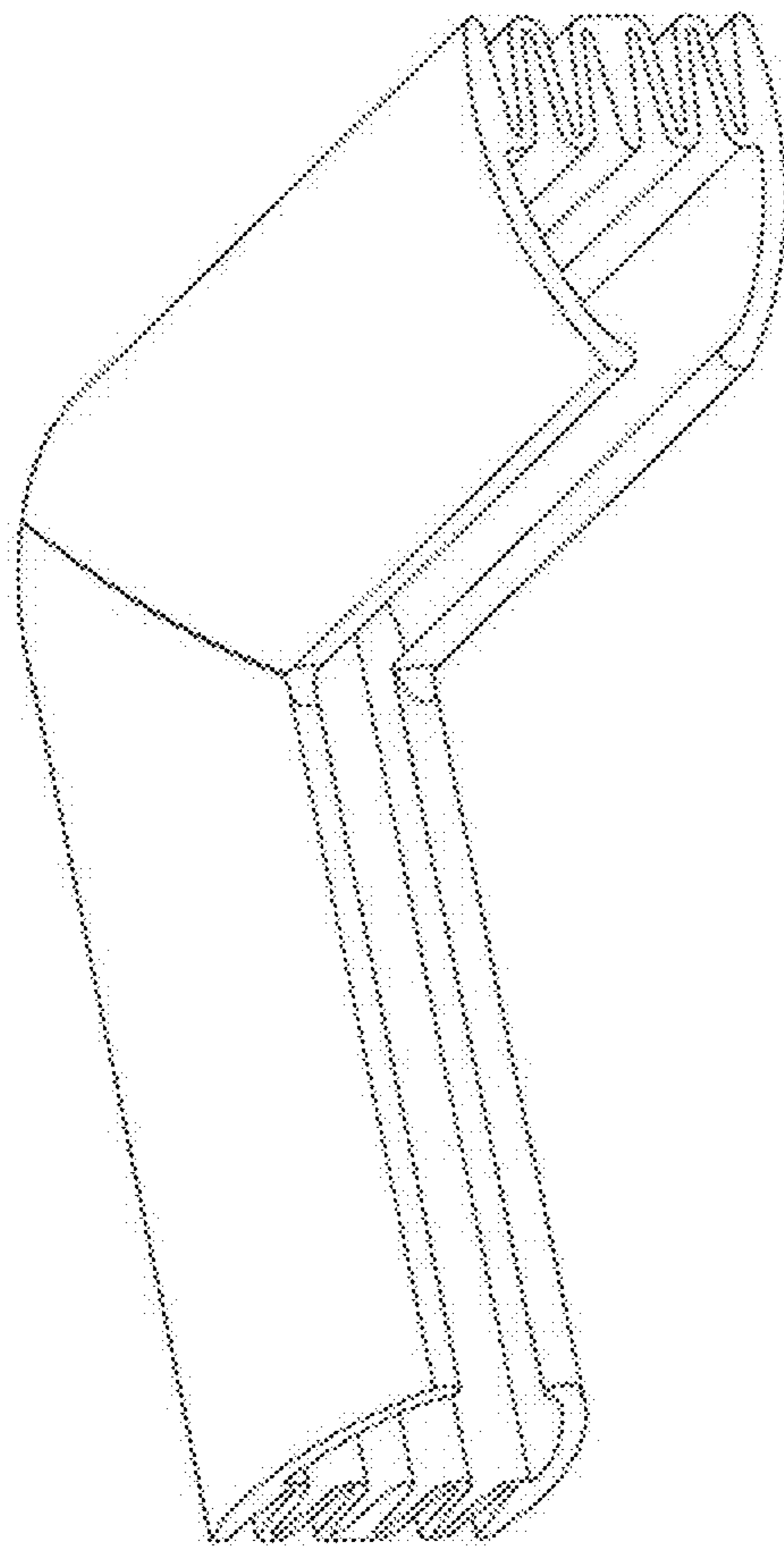


Fig. 1

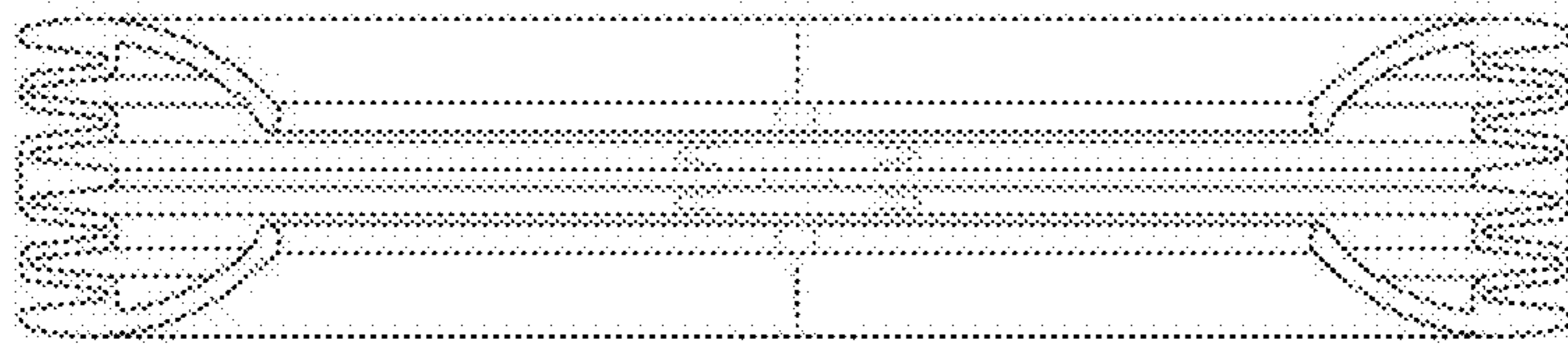


Fig. 3

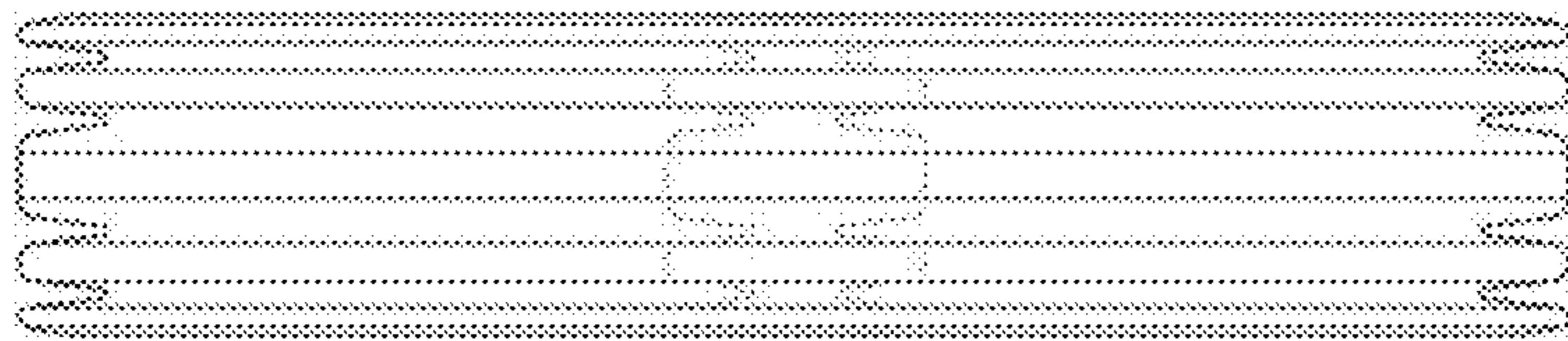


Fig. 4

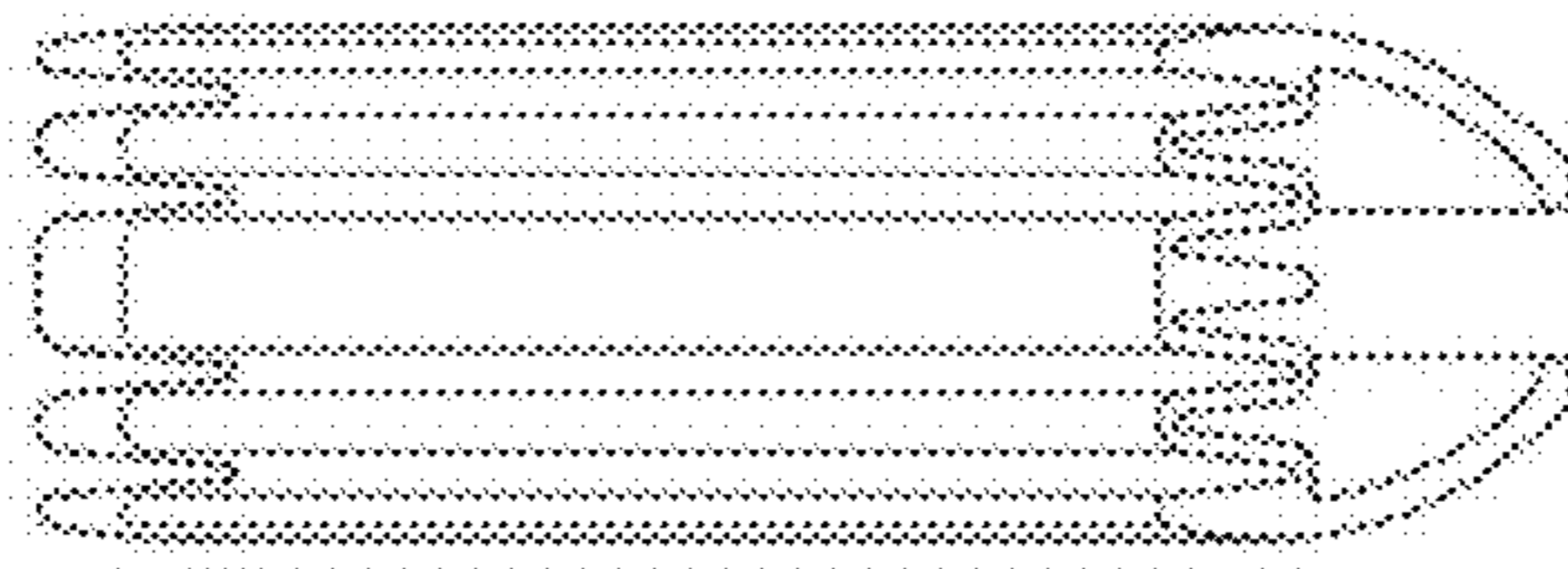


Fig. 5

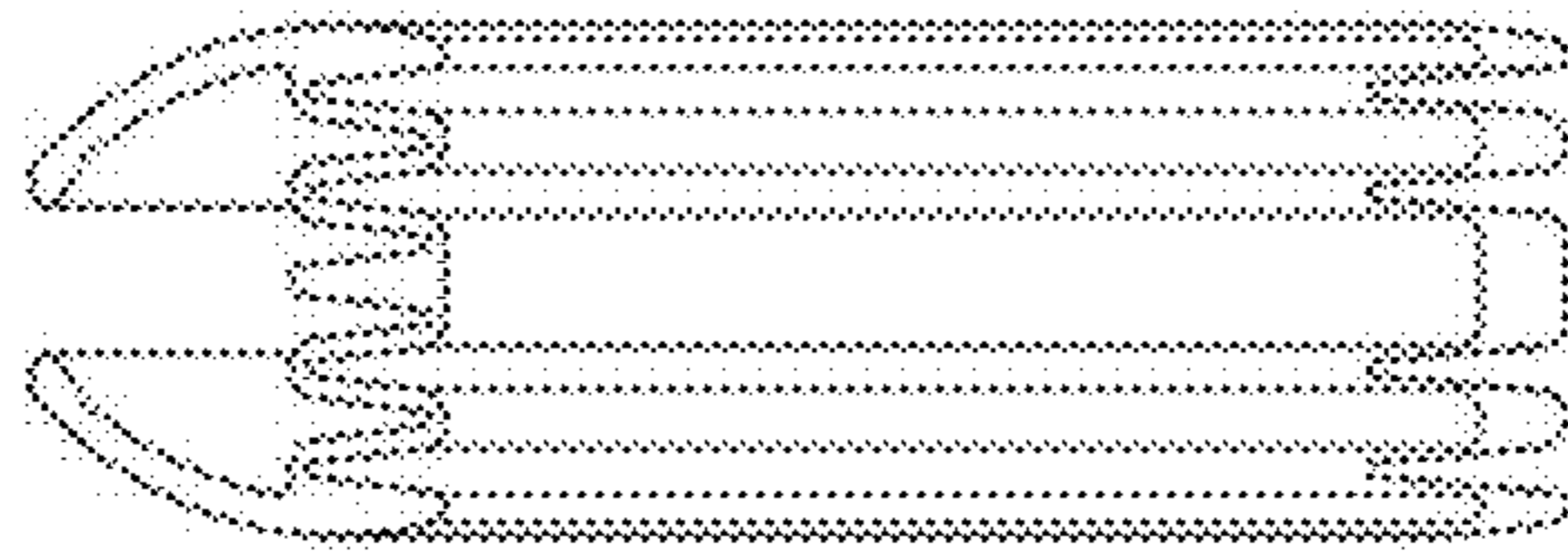


Fig. 6

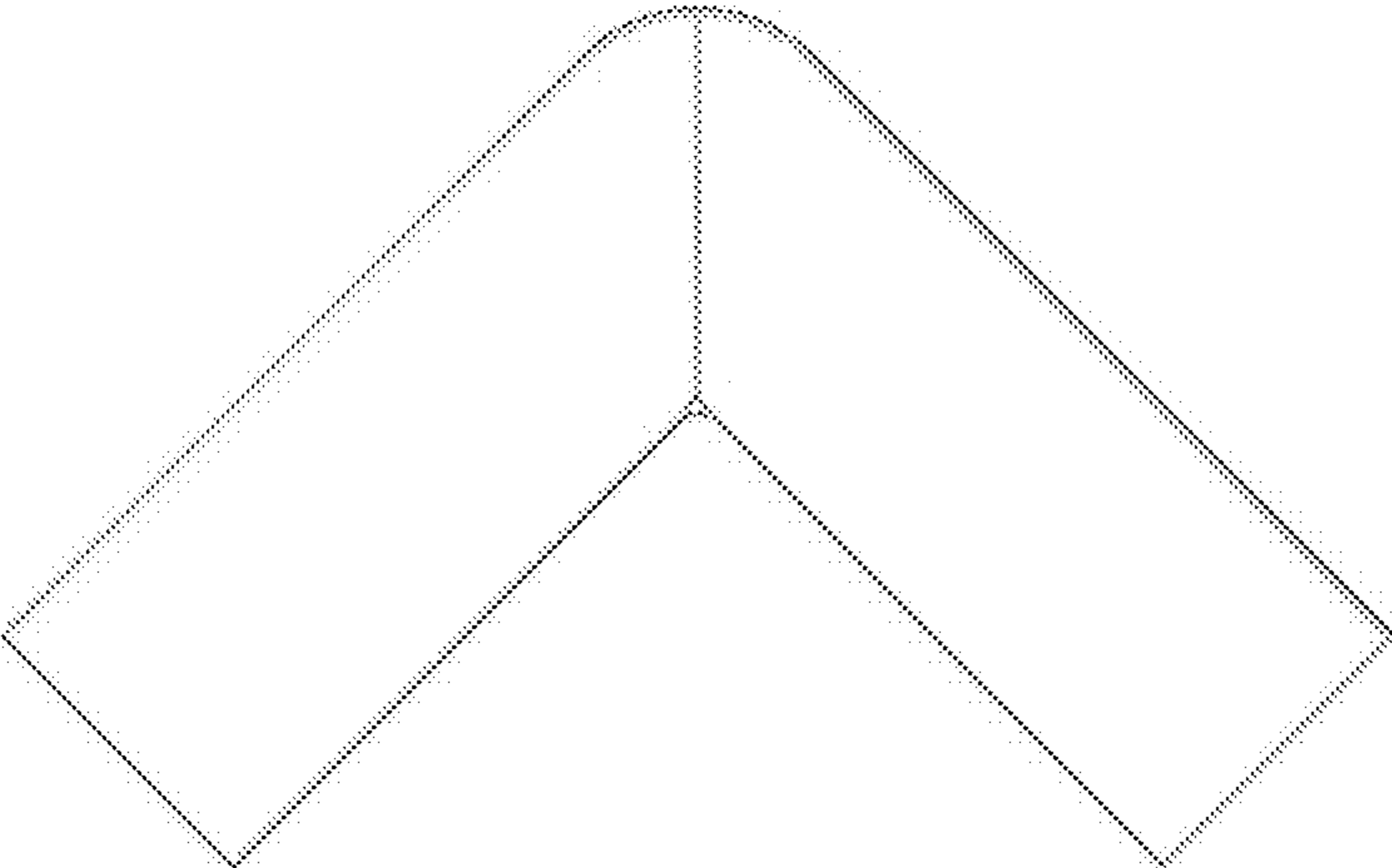


Fig. 7

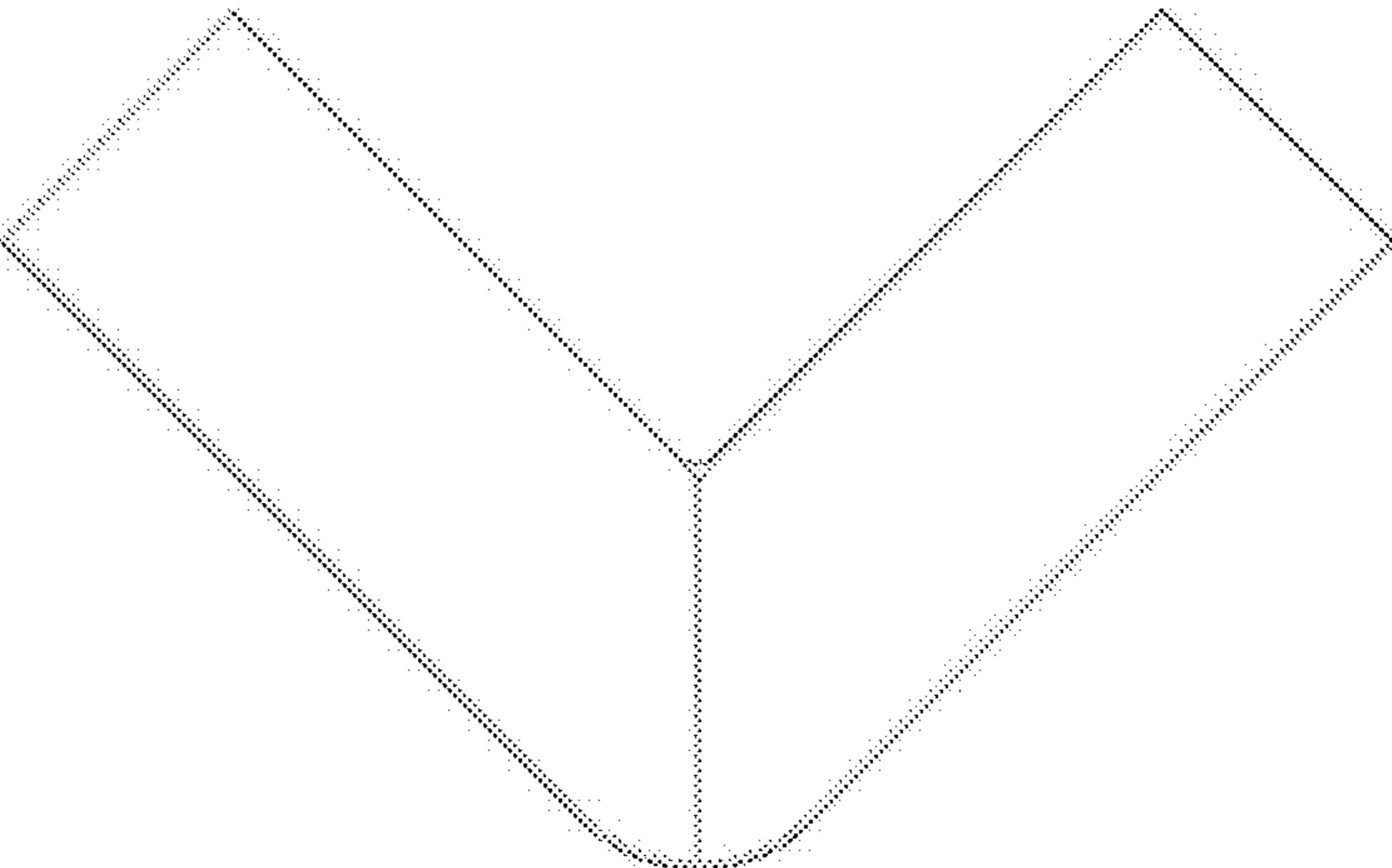


Fig. 8