



US00D958642S

(12) **United States Design Patent**
Zhang

(10) **Patent No.:** **US D958,642 S**

(45) **Date of Patent:** **** Jul. 26, 2022**

(54) **CAT SCRATCHING SOFA GUARD**

(71) Applicant: **Shanghai Senful Pet Products Co., Ltd.**, Shanghai (CN)

(72) Inventor: **Chengguo Zhang**, Shanghai (CN)

(73) Assignee: **Shanghai Senful Pet Products Co., Ltd.**, Shanghai (CN)

(**) Term: **15 Years**

(21) Appl. No.: **29/752,681**

(22) Filed: **Sep. 28, 2020**

(51) **LOC (13) Cl.** **08-11**

(52) **U.S. Cl.**
USPC **D8/400; D30/119**

(58) **Field of Classification Search**
USPC D30/118, 119, 158, 160, 199; D8/400; D6/391, 675
CPC A01K 15/025; A01K 15/027
See application file for complete search history.

(56) **References Cited**

U.S. PATENT DOCUMENTS

D322,494 S *	12/1991	Reynolds	119/706
D344,613 S *	2/1994	Cromwell	D30/119
5,592,901 A *	1/1997	Birmingham	A01K 15/024
			119/706
D379,518 S *	5/1997	Bergman	D24/211
D387,512 S *	12/1997	Bergman	D30/119
D585,607 S *	1/2009	Rosenblatt	D30/119
D644,797 S *	9/2011	Haaf	D30/160
D655,464 S *	3/2012	Seliskar	D30/118
D661,436 S *	6/2012	Haaf	D30/118
D670,873 S *	11/2012	Seliskar	D30/118
D688,837 S *	8/2013	Paculdo	D30/160
D713,607 S *	9/2014	Drew	D30/160
D787,863 S *	5/2017	Feeken	D6/611
D807,669 S *	1/2018	Flynn	D6/611
D835,362 S *	12/2018	Hansen	D30/160
D871,688 S *	12/2019	Long, Jr.	D30/161
D891,010 S *	7/2020	Long, Jr.	D30/161

D891,011 S *	7/2020	Long, Jr.	D30/161
D900,414 S *	10/2020	McConnochie	D30/158
D913,607 S *	3/2021	McConnochie	D30/158

(Continued)

OTHER PUBLICATIONS

Amazon., Paws Mark Cat Scratching Sofa Guard, https://www.amazon.com/PawsMark-Scratching-Guard-Protector-Shield/dp/B08ZJPWTQG/ref=sr_1_93crd=1A9U2JXPG7J4&keywords=CAT+SCRATCHING+SOFA+GUARD&qid=1646777758&prefix=cat+scratching+sofa+guard%2Caps%2C136&sr=8-93, Mar. 19, 2021 (Year: 2021).*

Primary Examiner — Keli L Hill

Assistant Examiner — Harold E Blackwell, II

(74) *Attorney, Agent, or Firm* — Arch & Lake LLP

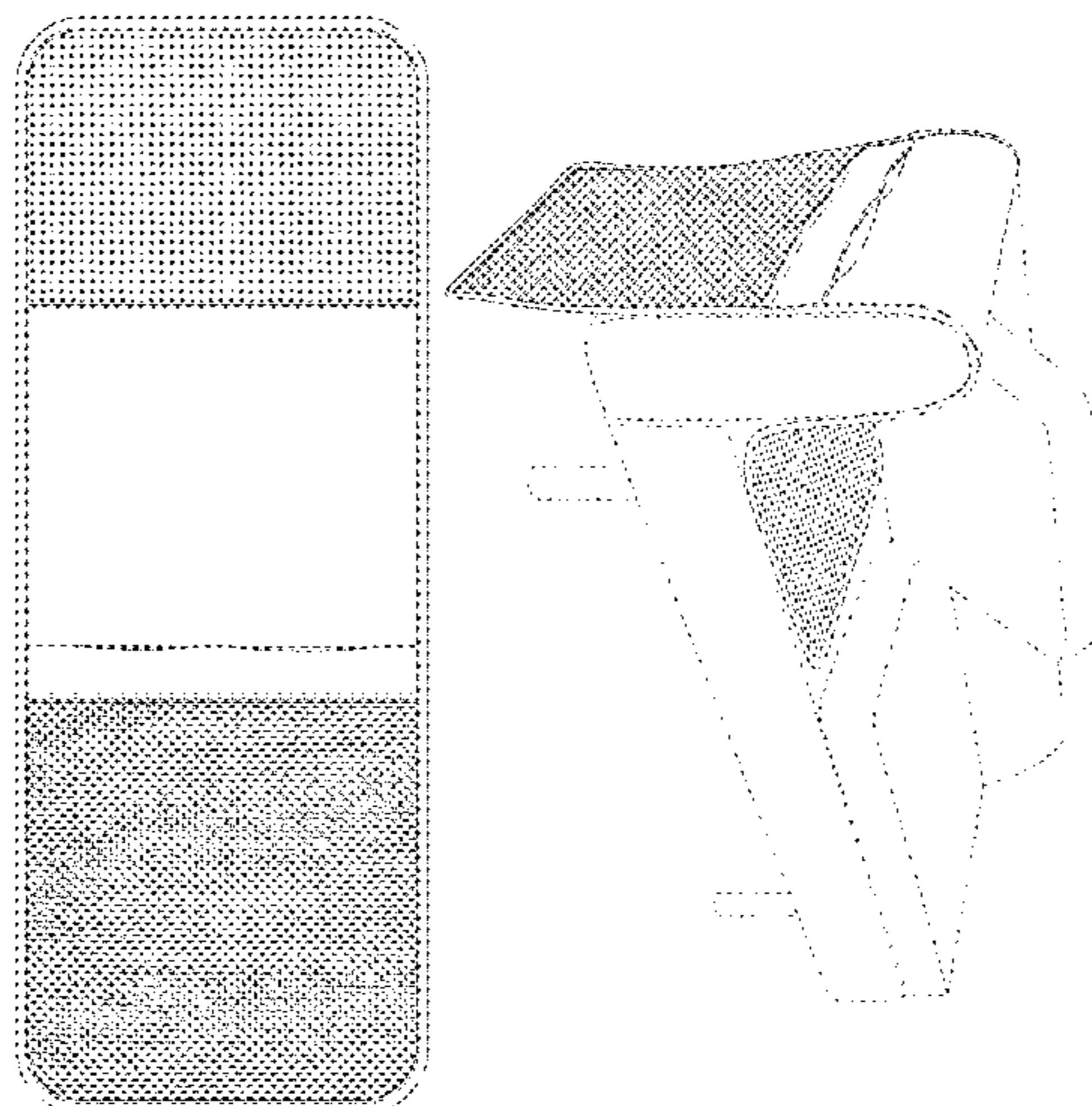
(57) **CLAIM**

The ornamental design for a cat scratching sofa guard, as shown and described.

DESCRIPTION

FIG. 1 is a front elevation view of a cat scratching sofa guard.
FIG. 2 is a back elevation view of the cat scratching sofa guard.
FIG. 3 is a right elevation view of the cat scratching sofa guard.
FIG. 4 is a left elevation view of the cat scratching sofa guard.
FIG. 5 is a top elevation view of the cat scratching sofa guard.
FIG. 6 is a bottom elevation view of the cat scratching sofa guard.
FIG. 7 is a perspective view of the cat scratching sofa guard, when applied on a sofa; and,
FIG. 8 is a second perspective view of the cat scratching sofa guard, when applied on the sofa.

(Continued)



The broken lines in the drawings illustrate portions of the cat scratching sofa guard which form no part of the claimed design.

1 Claim, 8 Drawing Sheets

(56) **References Cited**

U.S. PATENT DOCUMENTS

D930,280 S *	9/2021	Shiyu	D30/158
2007/0221135 A1*	9/2007	Slater	B60R 5/045 119/474

* cited by examiner

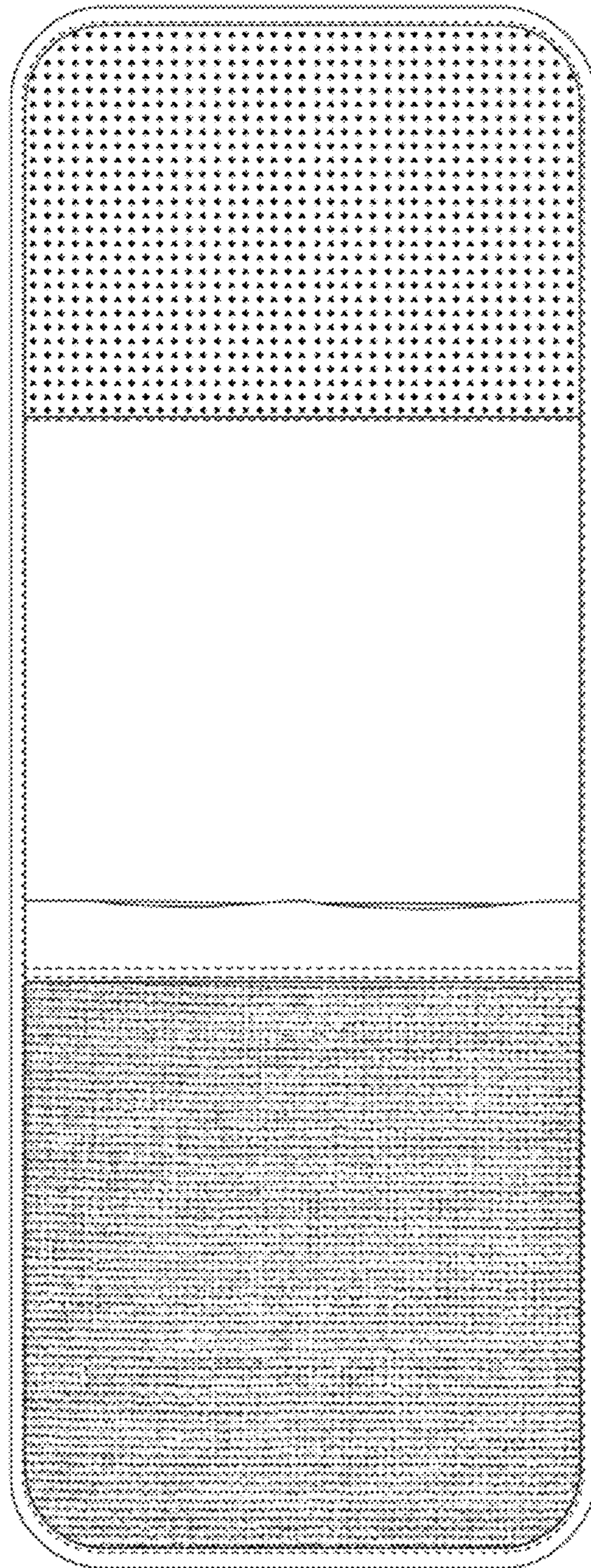


FIG. 1

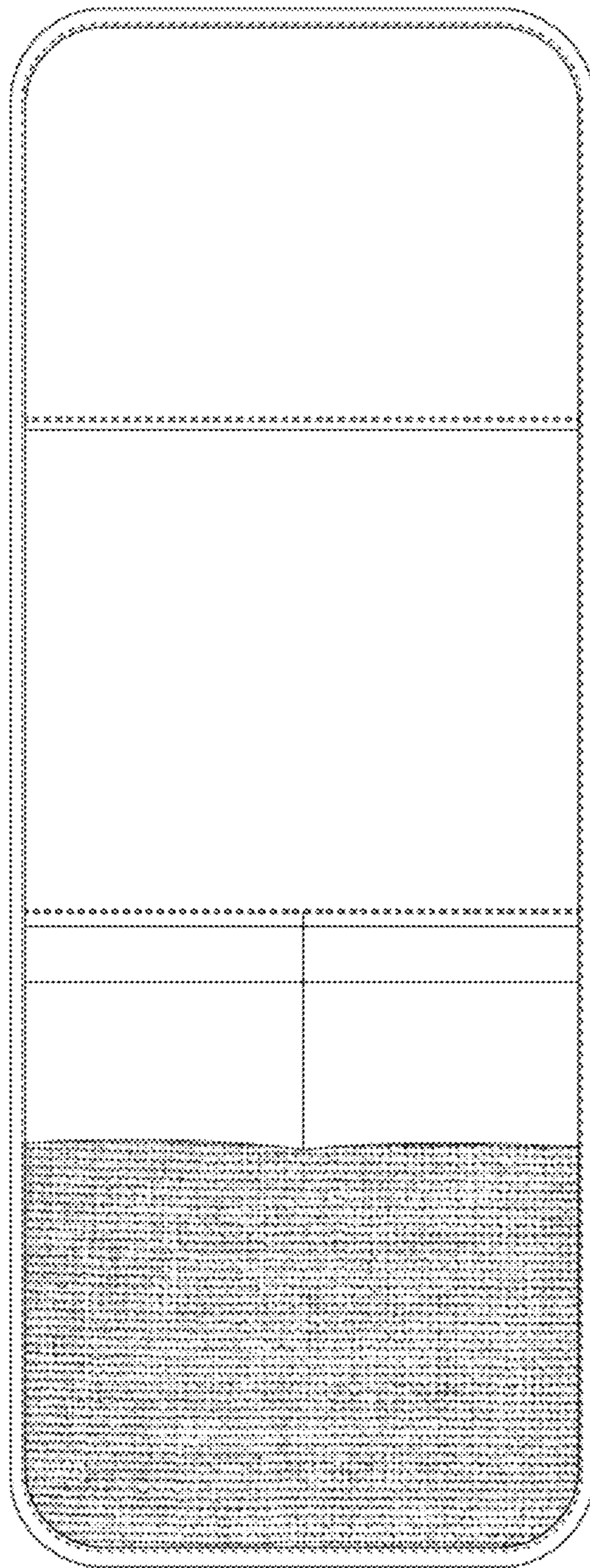


FIG. 2

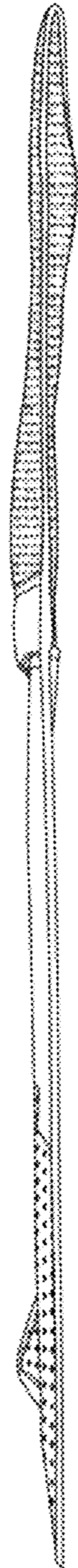


FIG. 3

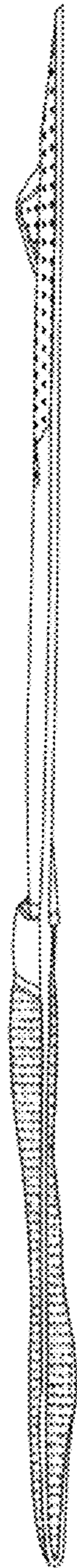


FIG. 4

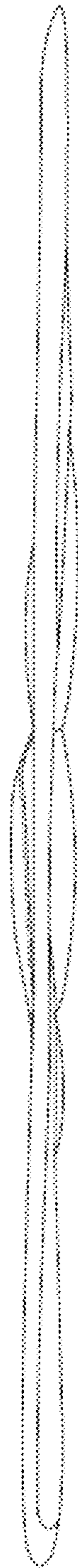


FIG. 5

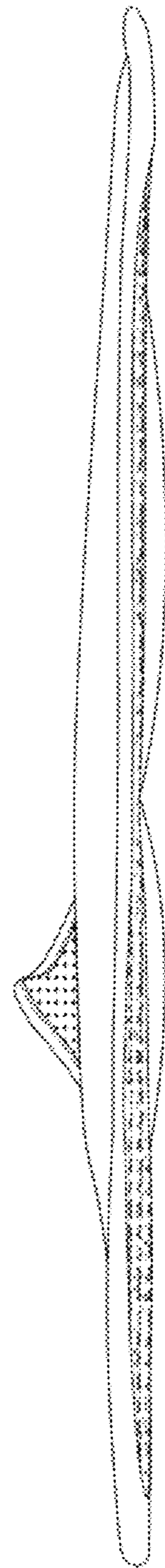


FIG. 6

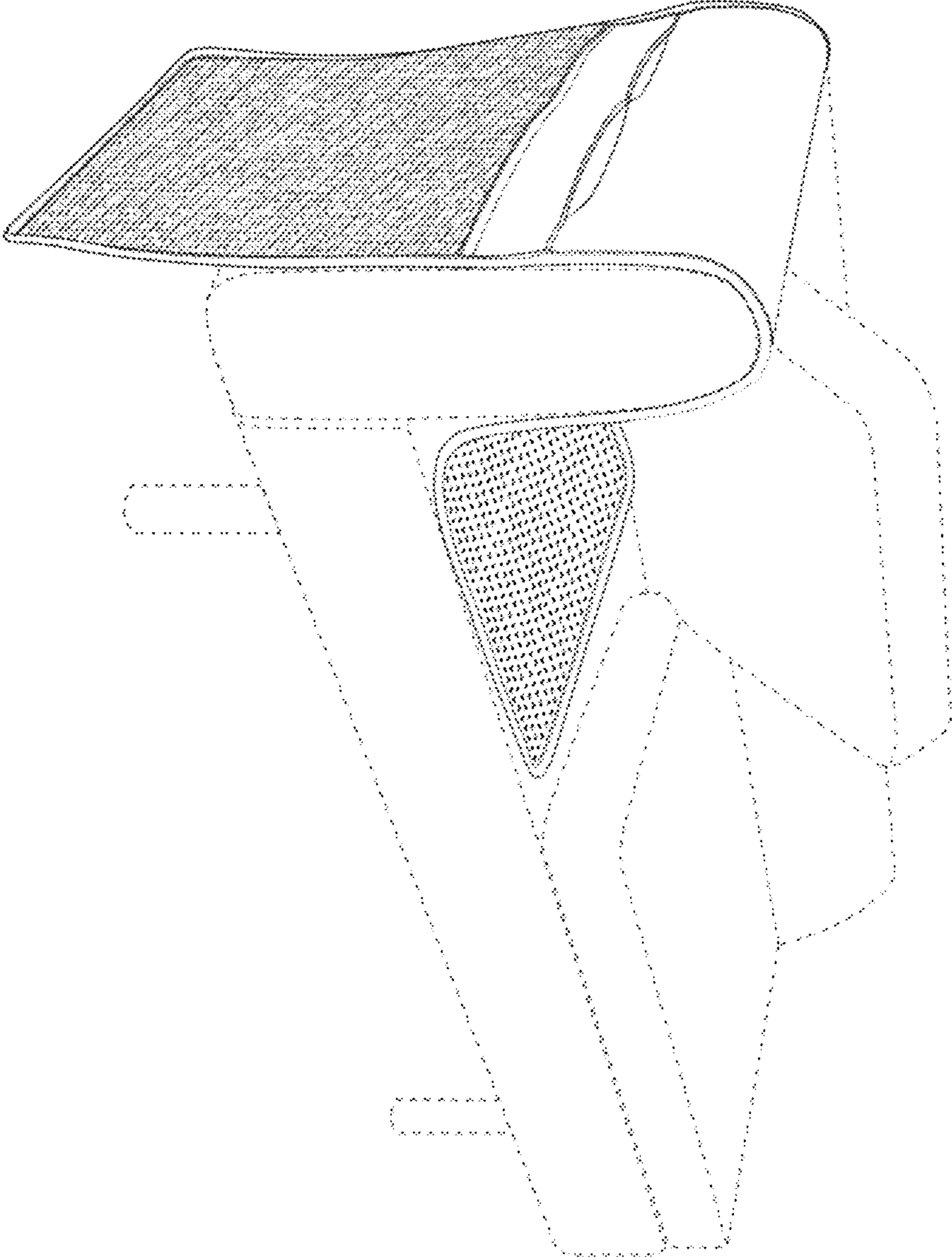


FIG. 7

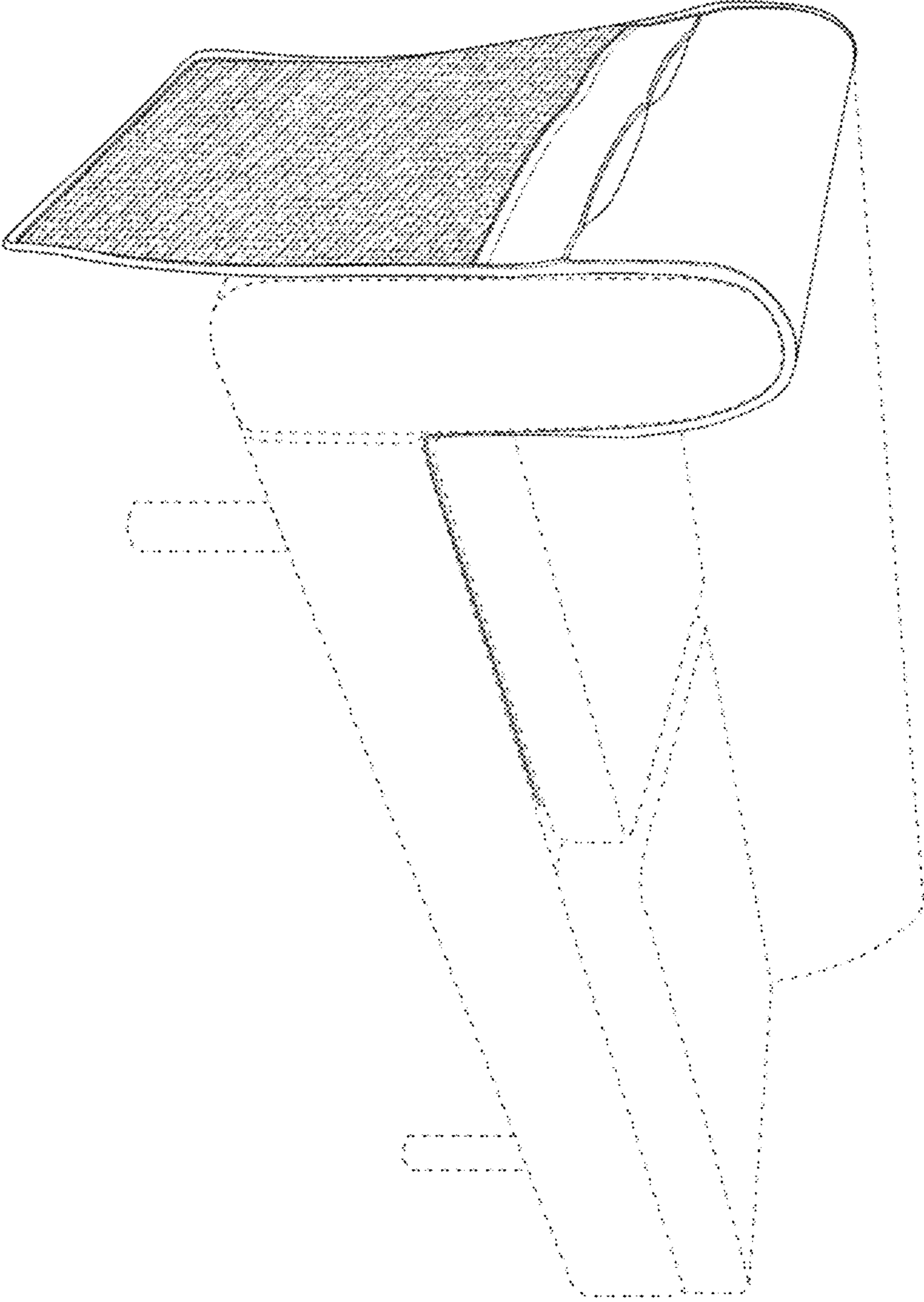


FIG. 8