



US00D958640S

(12) **United States Design Patent** (10) **Patent No.:** **US D958,640 S**  
**Stener** (45) **Date of Patent:** **\*\* Jul. 26, 2022**

(54) **CLAMP ASSEMBLY**

A47B 88/044; A47B 2021/0335; H02G 3/126; F16B 47/00; F16B 47/006; A47G 1/17; A47K 2201/00

(71) Applicant: **Wild West Investments, LLC**, Dallas, TX (US)

See application file for complete search history.

(72) Inventor: **Gavin Stener**, Dallas, TX (US)

(56) **References Cited**

(73) Assignee: **WILD WEST INVESTMENTS, LLC**, Dallas, TX (US)

U.S. PATENT DOCUMENTS

(\*\*) Term: **15 Years**

9,863,576	B1 *	1/2018	Cifers	.....	F16B 35/06
D838,579	S *	1/2019	Stener	.....	D8/354
D845,117	S *	4/2019	Stener	.....	D8/380
D876,205	S *	2/2020	Stener	.....	D8/354
10,563,813	B1 *	2/2020	Cifers	.....	F16M 11/2085
D884,661	S *	5/2020	Kim	.....	D13/168
D891,905	S *	8/2020	Carnevali	.....	D8/354
D899,222	S *	10/2020	Carnevali	.....	D8/354

(21) Appl. No.: **29/743,092**

(22) Filed: **Jul. 17, 2020**

(51) **LOC (13) Cl.** ..... **08-05**

(52) **U.S. Cl.**  
USPC ..... **D8/380**

(58) **Field of Classification Search**  
USPC ..... D14/371-382, 125-129, 336, 337, D14/447-452, 492, 335, 376-382, 239, D14/457, 439-441, 432, 251-253, 413, D14/416; D8/349, 354, 363, 373, 376, D8/380, 356, 377, 381; D21/333, 565; D12/133, 415; D3/10, 218; 348/180, 348/184, 325, 739, 825; 248/323, 278.1, 248/286.1; D6/580; D13/122; D25/119, D25/124

CPC ..... G06F 3/0412; G06F 3/016; G06F 3/0488; G06F 3/011; G06F 3/038; G06F 3/03543; G06F 3/0338; G06F 3/0202; G06F 3/0219; G06F 3/0213; G06F 1/1616; G06F 3/023; G06F 3/04883; G02F 1/13338; G02F 1/1313; G02F 1/1333; G02F 1/135; G02F 1/132; G02F 1/133308; G02F 1/134309; G02F 1/13718; G09G 3/3648; G06K 15/1252; B41J 2/465; G03F 7/70291; G02B 27/0172; G02B 5/30; G02B 2027/0118; G02B 27/0101; F16M 13/02; F16M 13/00; F16M 11/10; F16M 11/04; F16M 2200/08; F16M 11/2021; A47B 21/0314;

(Continued)

*Primary Examiner* — Katie Jane Stofko

(74) *Attorney, Agent, or Firm* — Foley & Lardner LLP

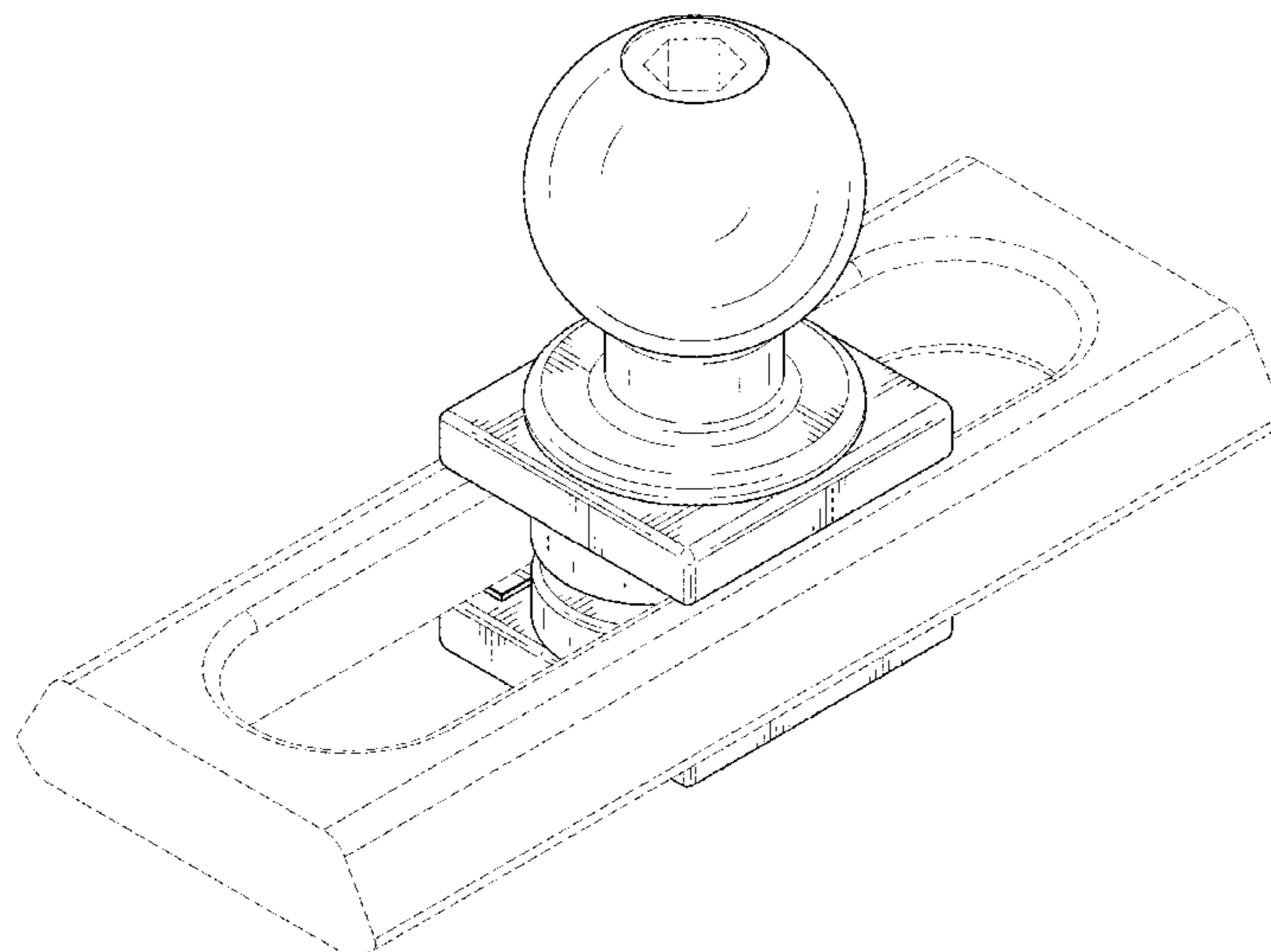
(57) **CLAIM**

I claim the ornamental design for a clamp assembly, as shown and described.

**DESCRIPTION**

FIG. 1 is a front, top and right side perspective view of a clamp assembly;  
FIG. 2 is a front elevation view thereof;  
FIG. 3 is a rear elevation view thereof;  
FIG. 4 is a right side elevation view thereof;  
FIG. 5 is a left side elevation view thereof;  
FIG. 6 is a top plan view thereof;  
FIG. 7 is a bottom plan view thereof; and,  
FIG. 8 is another front, top and right side perspective view thereof, shown in an environment of use.  
The broken lines shown in FIGS. 1-7 illustrate portions of the clamp assembly that form no part of the claimed design. The broken lines illustrating the clamp assembly support in FIG. 8 are environment, while the remaining broken lines in FIG. 8 illustrate portions of the clamp assembly that form no part of the claimed design.

**1 Claim, 5 Drawing Sheets**



(56)

**References Cited**

U.S. PATENT DOCUMENTS

D909,854 S \* 2/2021 Stener ..... D8/380  
D931,710 S \* 9/2021 Stener ..... D8/354  
2006/0175595 A1\* 8/2006 Carnevali ..... E04H 12/2261  
256/65.14  
2012/0045276 A1\* 2/2012 Carnevali ..... F16B 7/20  
403/350  
2018/0363842 A1\* 12/2018 Carnevali ..... F16M 11/14

\* cited by examiner

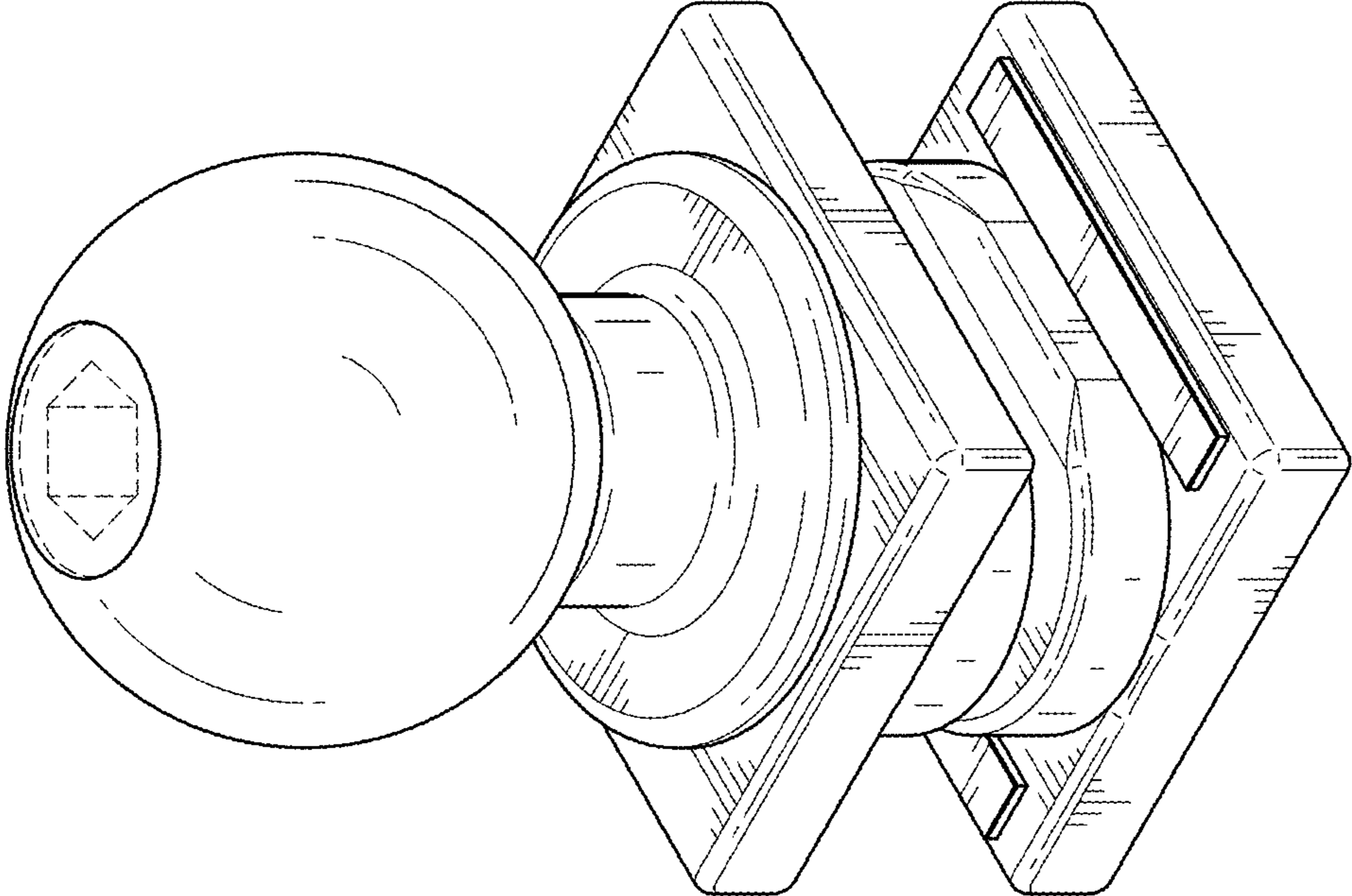


FIG. 1

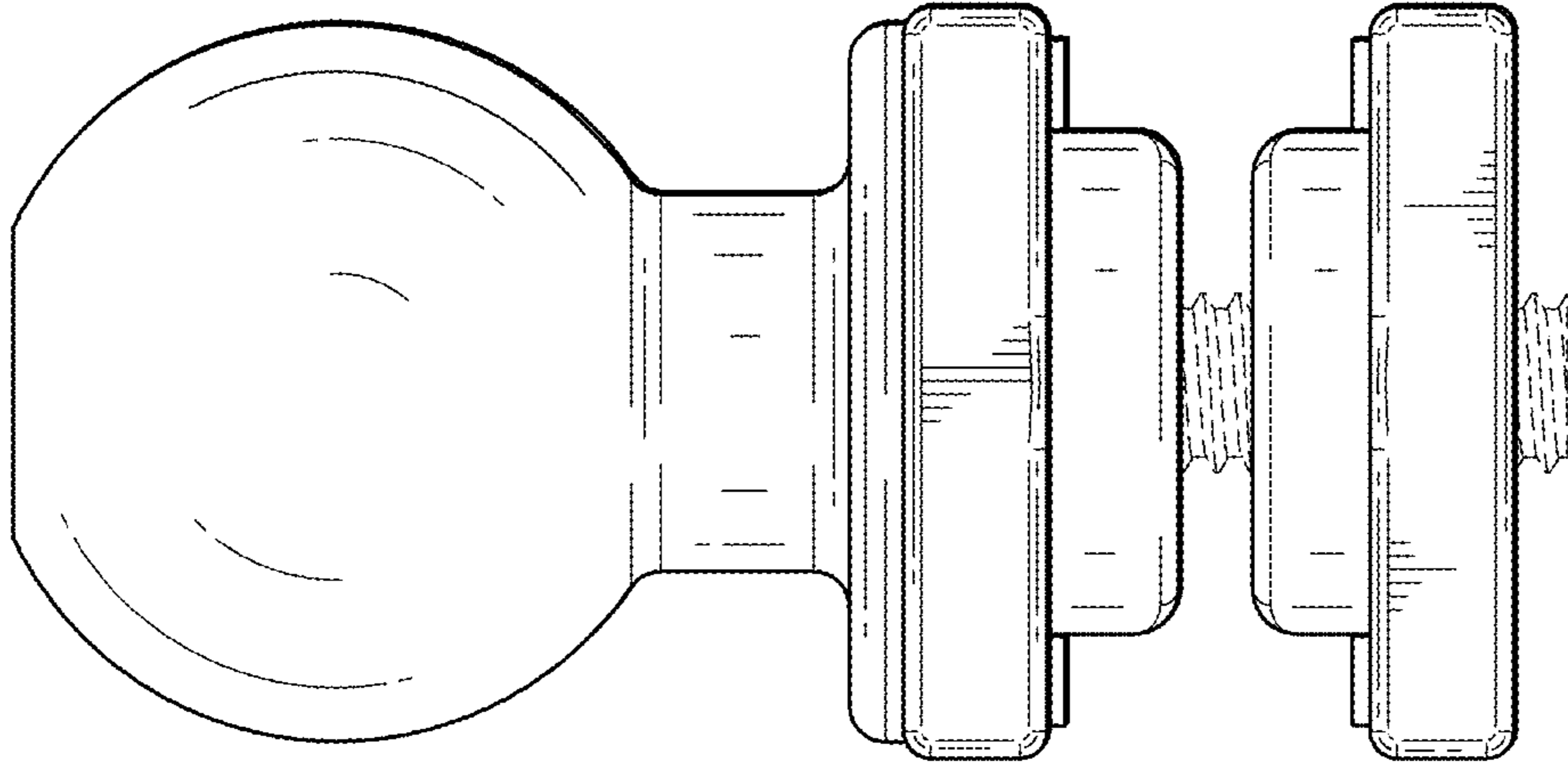


FIG. 3

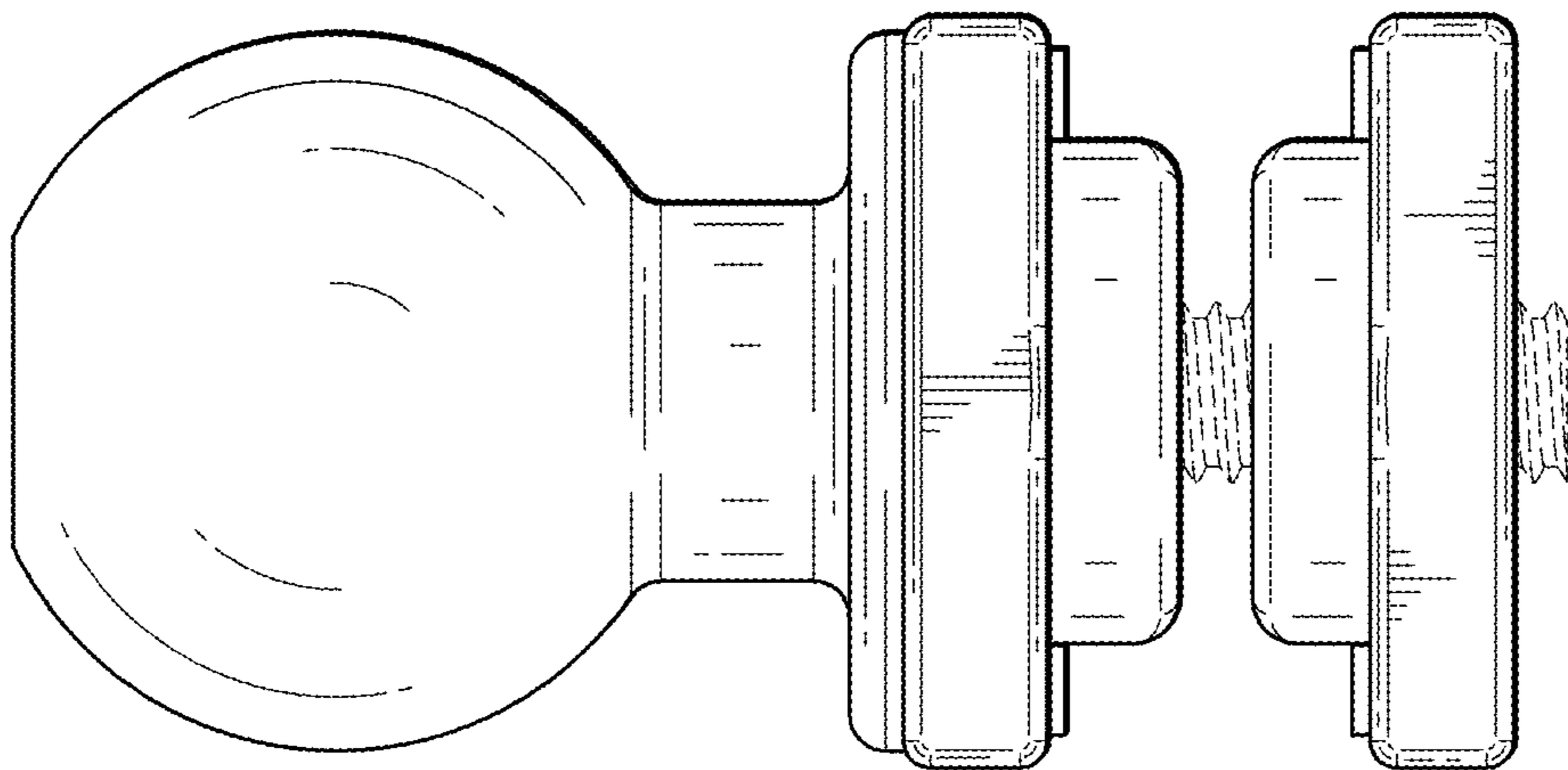


FIG. 2

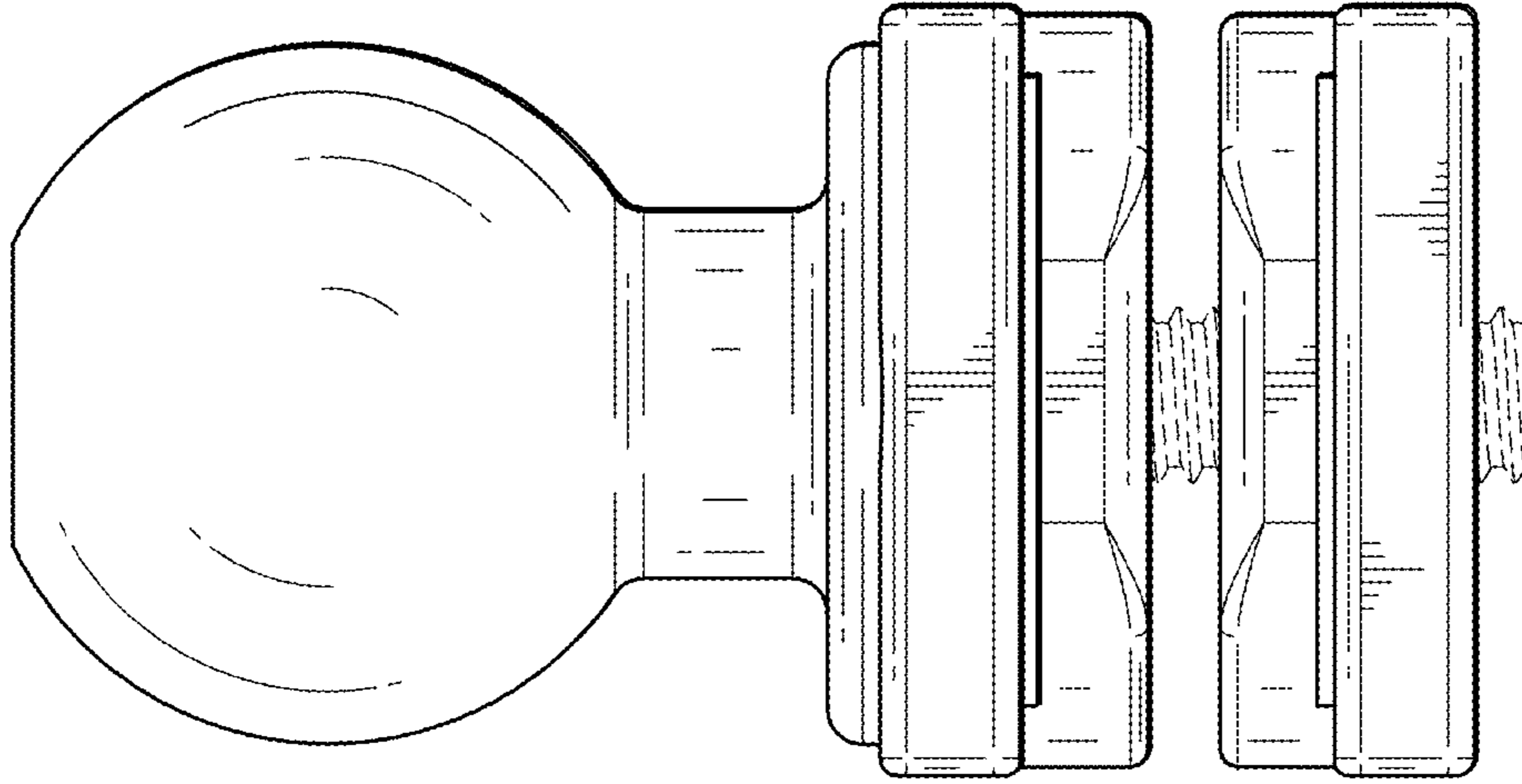


FIG. 5

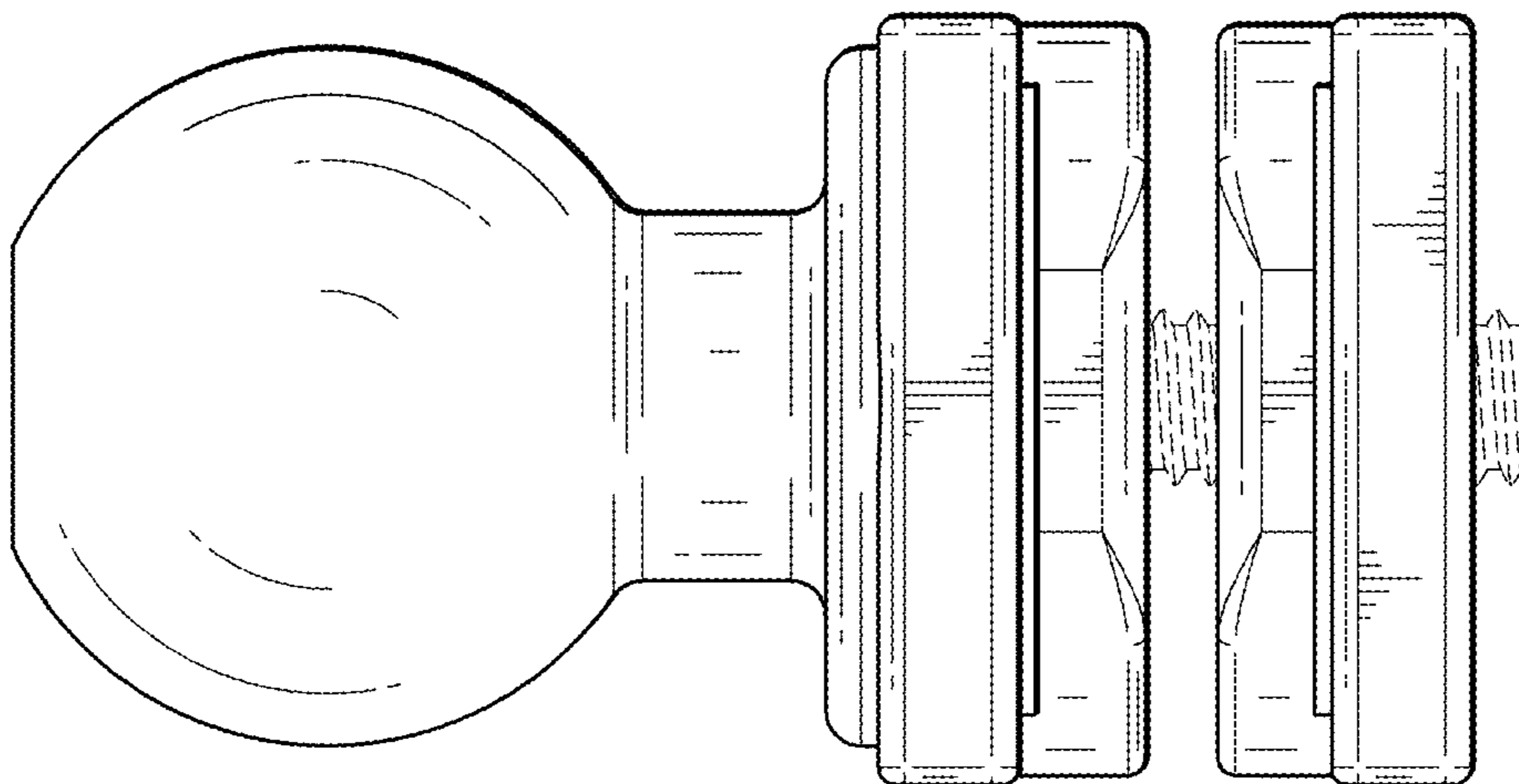


FIG. 4

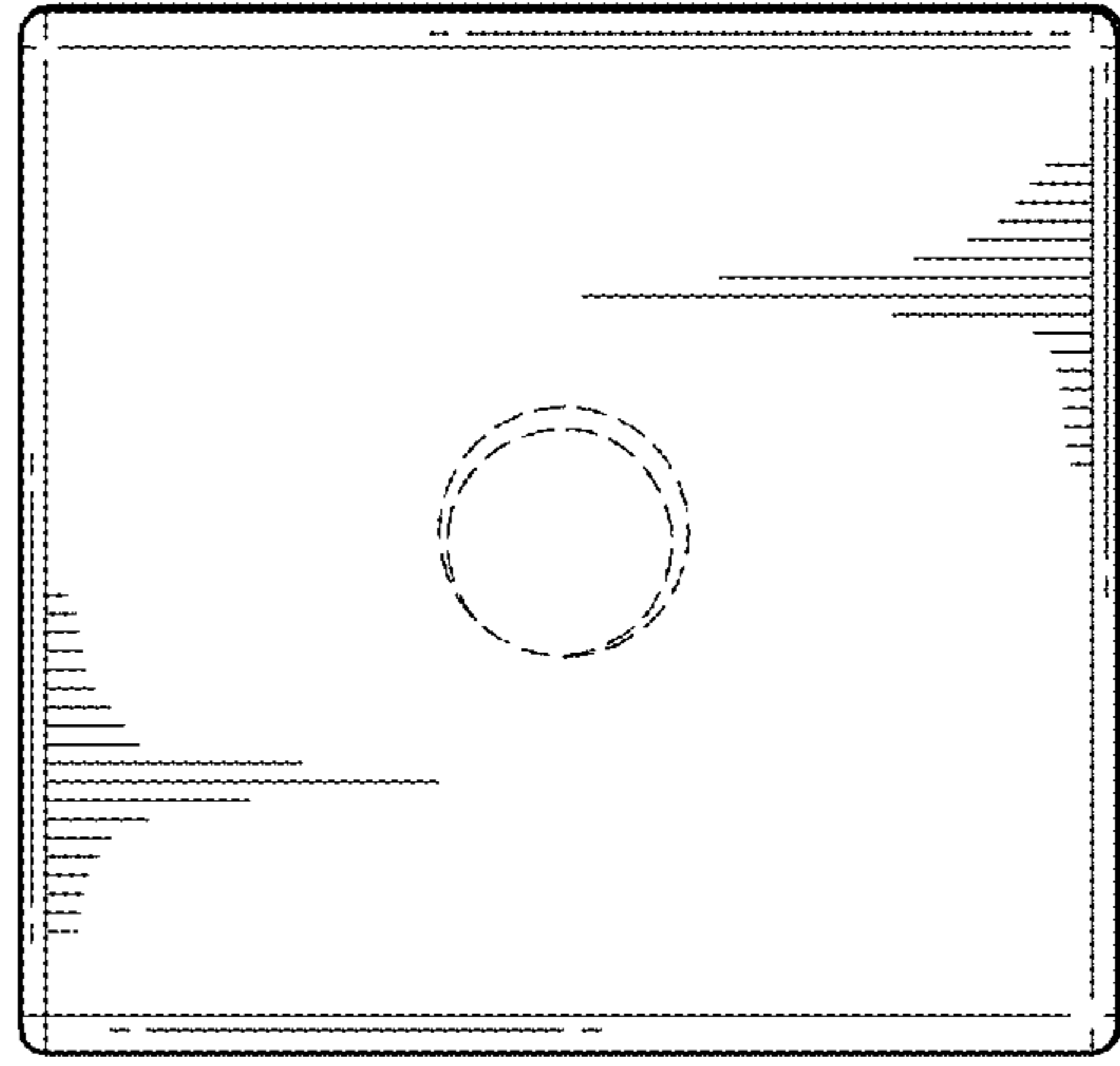


FIG. 7

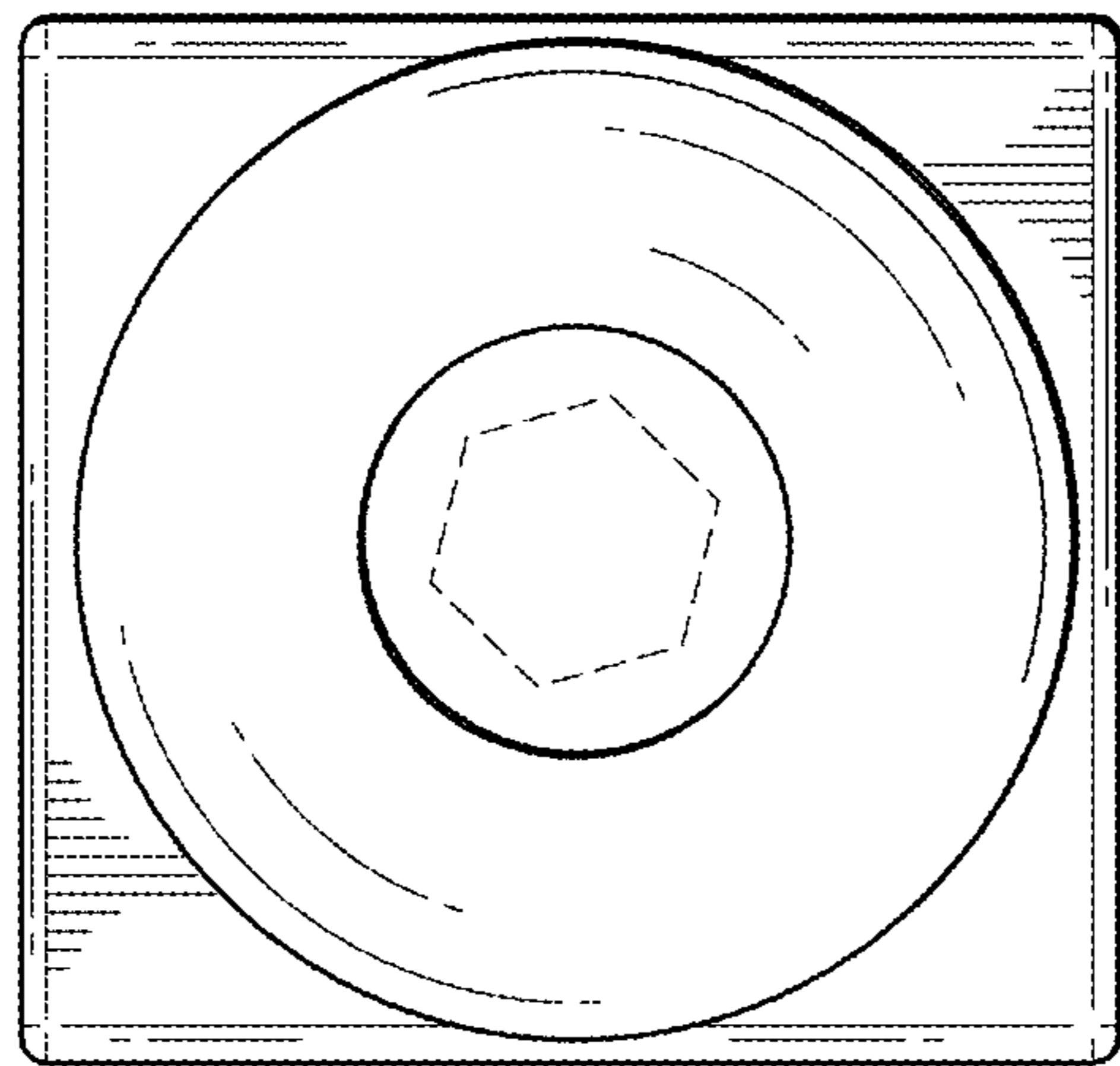


FIG. 6

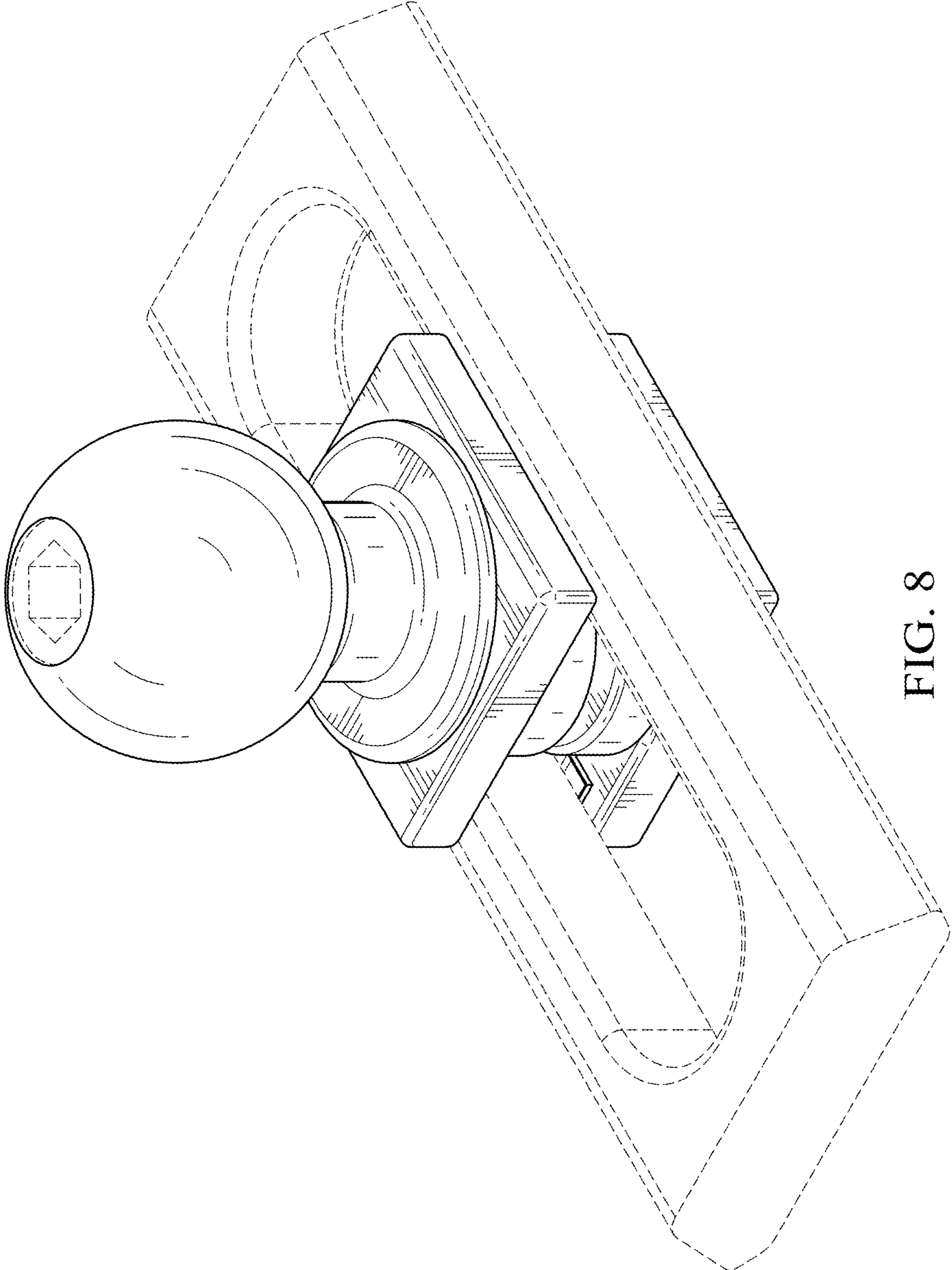


FIG. 8