



US00D958639S

(12) **United States Design Patent** (10) **Patent No.:** **US D958,639 S**
Walter et al. (45) **Date of Patent:** **** Jul. 26, 2022**

(54) **WHEEL COVER**

(71) Applicant: **AMSA, Inc.**, Boulder, CO (US)

(72) Inventors: **Ivor Michel Walter**, Boulder, CO (US);
Wilson Zeng, Foshan (CN); **Brett Pardikes**, Boulder, CO (US)

(73) Assignee: **amsa, iNC.**, Boulder, CO (US)

(**) Term: **15 Years**

(21) Appl. No.: **29/731,595**

(22) Filed: **Apr. 16, 2020**

(51) **LOC (13) Cl.** **08-11**

(52) **U.S. Cl.**
USPC **D8/375**

(58) **Field of Classification Search**
USPC D8/315, 321-322, 373-375; D34/27
CPC B60B 33/0049; B60B 33/0057; B60B
33/0073

See application file for complete search history.

(56) **References Cited**

U.S. PATENT DOCUMENTS

D334,136 S * 3/1993 McCord D8/375
5,401,042 A 3/1995 Ruger
D365,904 S 1/1996 Adamson et al.
D448,278 S * 9/2001 Chi D12/133

(Continued)

OTHER PUBLICATIONS

“Colson Caster Fork”, Apr. 12, 2014, Amazon.com, site visited Nov. 10, 2021: <https://www.amazon.com/Colson-Caster-Wheel-Threaded-1-4354/dp/B00JMVUT3G> (Year: 2014).*

(Continued)

Primary Examiner — Jack Reickel
Assistant Examiner — Michael A Kervin

(74) *Attorney, Agent, or Firm* — Polson Intellectual Property Law, PC; Margaret Polson

(57) **CLAIM**

The ornamental design for wheel cover, as shown and described.

DESCRIPTION

FIG. 1 is a front isometric view of our new design for a wheel cover.

FIG. 2 is a right side elevation view thereof.

FIG. 3 is a front side elevation view thereof.

FIG. 4 is a top plan view thereof.

FIG. 5 is a left side elevation view thereof.

FIG. 6 is a back side elevation view thereof.

FIG. 7 is a bottom side plan view thereof.

FIG. 8 is a front isometric view of a second embodiment of our new design for a wheel cover.

FIG. 9 is a right side elevation view thereof.

FIG. 10 is a front side elevation view thereof.

FIG. 11 is a top plan view thereof.

FIG. 12 is a left side elevation view thereof.

FIG. 13 is a back side elevation view thereof.

FIG. 14 is a bottom side plan view thereof.

FIG. 15 is a front isometric view of a third embodiment of our new design for a wheel cover.

FIG. 16 is a right side elevation view thereof.

FIG. 17 is a front side elevation view thereof.

FIG. 18 is a top plan view thereof.

FIG. 19 is a left side elevation view thereof.

FIG. 20 is a back side elevation view thereof.

FIG. 21 is a bottom side plan view thereof

FIG. 22 is a front isometric view of a fourth embodiment of our new design for a wheel cover.

FIG. 23 is a right side elevation view thereof.

FIG. 24 is a front side elevation view thereof.

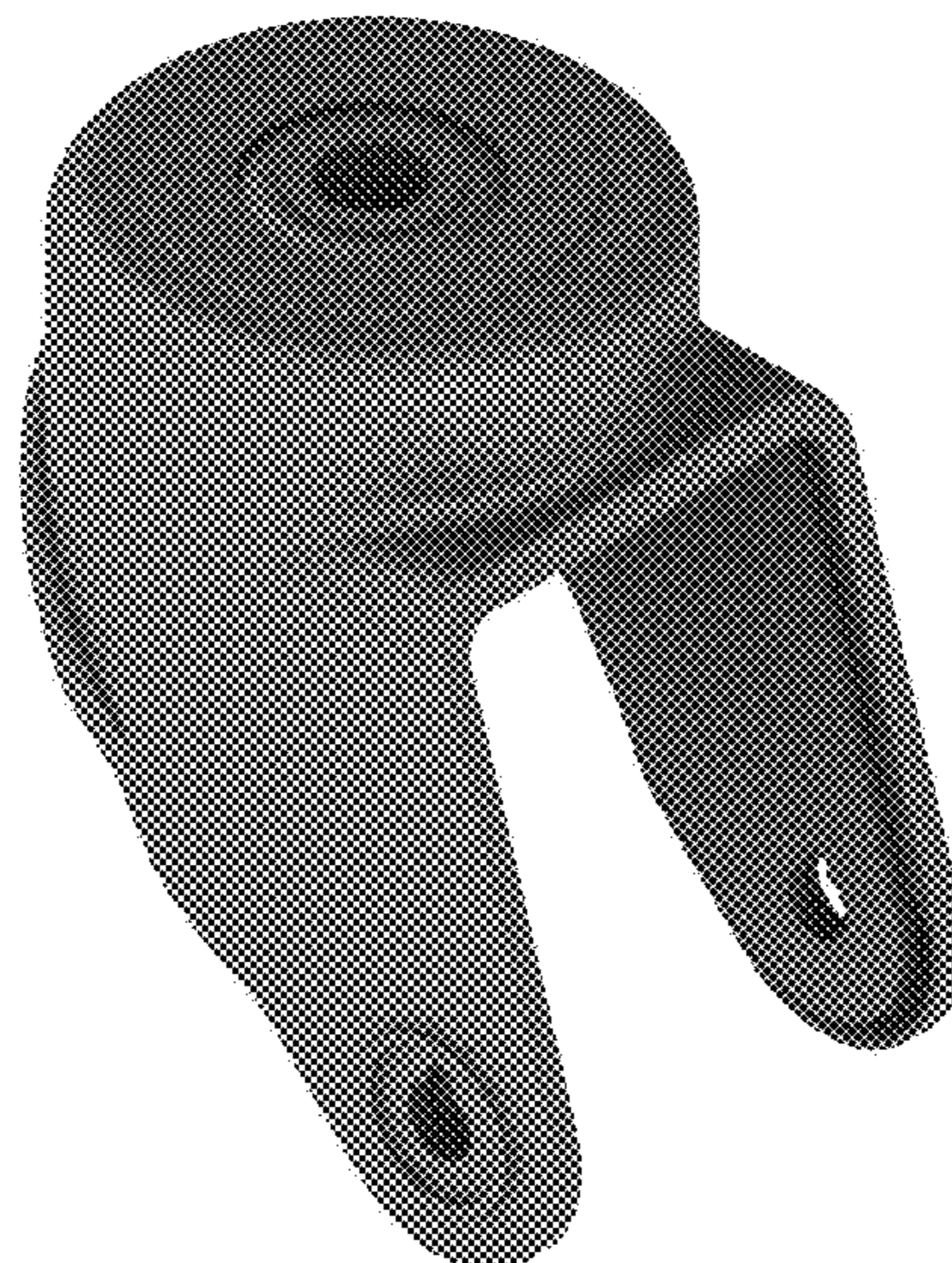
FIG. 25 is a top plan view thereof.

FIG. 26 is a left side elevation view thereof.

FIG. 27 is a back side elevation view thereof; and,

FIG. 28 is a bottom side plan view thereof.

1 Claim, 28 Drawing Sheets



(56)

References Cited

U.S. PATENT DOCUMENTS

6,422,580	B1	7/2002	Hunter	
6,540,240	B2	4/2003	Nadeau et al.	
D486,382	S *	2/2004	Sedgwick	D8/375
6,705,623	B2	3/2004	Nadeau et al.	
D576,868	S *	9/2008	Minamiura	D8/375
D605,823	S	12/2009	Walter	
D606,723	S	12/2009	Walter	
D633,269	S	2/2011	Walter	
D648,914	S	11/2011	Walter	
D665,552	S	8/2012	Walter	
D665,962	S	8/2012	Walter	
D698,114	S	1/2014	Smith et al.	
D710,187	S *	8/2014	Gronholm	D8/375
D731,297	S *	6/2015	Bitterlich	D8/375
D756,586	S	5/2016	Magnusson	
D770,716	S	11/2016	Giampavolo et al.	
D792,198	S *	7/2017	Cmich	D8/375
D800,986	S	10/2017	Magnusson	
D801,790	S *	11/2017	Weber	D8/375
D805,711	S *	12/2017	Magnusson	D34/21
D806,341	S	12/2017	Magnusson	
D830,816	S *	10/2018	Chan	D8/375
D857,485	S *	8/2019	Weber	D8/375
D897,683	S *	10/2020	Chen	D3/318
2004/0051263	A1	3/2004	Prather et al.	
2008/0111328	A1	5/2008	Ryan et al.	
2008/0217877	A1	9/2008	Simard	
2008/0258540	A1 *	10/2008	Hicks	B60B 33/0073 301/111.01
2009/0276977	A1 *	11/2009	Liao	B60B 33/021 16/35 R
2010/0276899	A1	11/2010	Burdwood et al.	
2011/0062675	A1	3/2011	Brown et al.	
2012/0042472	A1 *	2/2012	Aubin	B60B 33/0018 16/46
2013/0207362	A1	8/2013	Smith	
2014/0159327	A1	6/2014	Smith et al.	
2014/0250627	A1 *	9/2014	McKay	B60B 7/01 16/45
2018/0222509	A1	8/2018	McMurtrey	

OTHER PUBLICATIONS

“Anatomy of a Stem Caster”, Jul. 14, 2015, YouTube.com, site visited Nov. 10, 2021: <https://www.youtube.com/watch?v=yz4I6592Kog> (Year: 2015).*

“Houseables Caster Wheels”, Sep. 25, 2016, Amazon.com, site visited Nov. 10, 2021: <https://www.amazon.com/Houseables-Industrial-Replacement-Furniture-Workbench/dp/B01LWO1P2F> (Year: 2016).*

Applicant AMSA, Inc. DBA VersaCart Systems Brochure for ACE Spring Convention 2020. 4 pages.

Applicant AMSA, Inc. DBA VersaCart Systems Brochure for Do It Best Spring Market 2020. 6 pages.

Applicant AMSA, Inc. DBA VersaCart Systems Brochure for Emery Jensen Spring Show 2020. 2 pages.

Applicant AMSA, Inc. DBA VersaCart Systems Brochure for Spring 2020 trade shows. 6 pages.

Applicant AMSA, Inc. DBA VersaCart Systems Brochure for Orgill Spring Market 2020. 6 pages.

Applicant AMSA, Inc. DBA VersaCart Systems True Value flyer Spring 2020. 6 pages.

Applicant AMSA, Inc. DBA VersaCart Systems EX100 sales sheet, Feb. 1, 2020. 1 page.

Joalpe GenCart 100L sales brochure, Feb. 1, 2020. 2 pages.

Applicant AMSA, Inc. DBA VersaCart Systems TT-100-C sales sheet, Feb. 1, 2020. 1 page.

Applicant AMSA, Inc. DBA VersaCart Systems Brochure for Orgill Spring Dealer Market 2015. 6 pages.

Applicant AMSA, Inc. DBA VersaCart Systems Brochure for Orgill Fall Dealer Market 2015. 6 pages.

Applicant AMSA, Inc. DBA VersaCart Systems Brochure for Orgill Fall Market 2012. 4 pages.

Applicant AMSA, Inc. DBA VersaCart Systems Brochure for Orgill Spring Dealer Market 2014. 6 pages.

Applicant AMSA, Inc. DBA VersaCart Systems Brochure for Orgill Fall Dealer Market 2014. 6 pages.

Applicant AMSA, Inc. DBA VersaCart Systems Retail & Distribution Catalog 2008. 50 pages.

Applicant AMSA, Inc. DBA VersaCart Systems Brochure for ACE Spring Convention 2013. 4 pages.

Applicant AMSA, Inc. DBA VersaCart Systems Brochure for ACE Spring Convention 2014. 4 pages.

Applicant AMSA, Inc. DBA VersaCart Systems Brochure for ACE Spring Convention 2015. 4 pages.

Applicant AMSA, Inc. DBA VersaCart Systems Brochure for ACE Spring Convention 2016. 4 pages.

Applicant AMSA, Inc. DBA VersaCart Systems Brochure for ACE Spring Market 2012. 2 pages.

Applicant AMSA, Inc. DBA VersaCart Systems Brochure for ACE Spring Convention 2017. 4 pages.

Applicant AMSA, Inc. DBA VersaCart Systems Brochure for Do It Best Spring Market 2017. 6 pages.

Applicant AMSA, Inc. DBA VersaCart Systems Brochure for Orgill Spring Dealer Market 2016. 6 pages.

Applicant AMSA, Inc. DBA VersaCart Systems Brochure for True Value Spring Reunion 2017. 2 pages.

Applicant AMSA, Inc. DBA VersaCart Systems SuperValu Expo flyer Aug. 3, 2016. 2 pages.

Applicant AMSA, Inc. DBA VersaCart Systems Unified Expo flyer Aug. 2016. 2 pages.

Applicant AMSA, Inc. DBA VersaCart Systems True Value flyer Fall Reunion 2017. 2 pages.

Applicant AMSA, Inc. DBA VersaCart Systems True Value flyer Fall Reunion 2016. 2 pages.

Applicant AMSA, Inc. DBA VersaCart Systems Brochure for ACE Fall Convention 2016. 4 pages.

Applicant AMSA, Inc. DBA VersaCart Systems Brochure for ACE Fall Convention 2017. 4 pages.

Applicant AMSA, Inc. DBA VersaCart Systems Brochure for Do It Best Fall Market 2016. 6 pages.

Applicant AMSA, Inc. DBA VersaCart Systems Brochure for Do It Best Fall Market 2017. 6 pages.

Applicant AMSA, Inc. DBA VersaCart Systems Brochure for Orgill Fall Dealer Market Las Vegas 2016. 6 pages.

Applicant AMSA, Inc. DBA VersaCart Systems Brochure for Orgill Fall Dealer Market Boston 2016. 6 pages.

Applicant AMSA, Inc. DBA VersaCart Systems Brochure for Orgill Spring Dealer Market 2018. 6 pages.

Applicant AMSA, Inc. DBA VersaCart Systems Brochure for Do It Best Spring Market 2018. 6 pages.

Applicant AMSA, Inc. DBA VersaCart Systems True Value flyer Spring 2018. 6 pages.

Applicant AMSA, Inc. DBA VersaCart Systems Brochure for ACE Spring Convention 2018. 4 pages.

Applicant AMSA, Inc. DBA VersaCart Systems Brochure for Do It Best Fall Market 2018. 6 pages.

Applicant AMSA, Inc. DBA VersaCart Systems True Value flyer Fall 2018. 6 pages.

Applicant AMSA, Inc. DBA VersaCart Systems Brochure for ACE Fall Convention 2018. 4 pages.

Applicant AMSA, Inc. DBA VersaCart Systems Brochure for Orgill Fall Dealer Market 2018. 6 pages.

Applicant AMSA, Inc. DBA VersaCart Systems Brochure for ACE Spring Convention 2019. 4 pages.

Applicant AMSA, Inc. DBA VersaCart Systems Brochure for Do It Best Spring Market 2019. 6 pages.

Applicant AMSA, Inc. DBA VersaCart Systems Material Handling Brochure 2019. 3 pages.

Applicant AMSA, Inc. DBA VersaCart Systems Brochure for NGA Spring Show 2019. 2 pages.

Applicant AMSA, Inc. DBA VersaCart Systems Brochure for Orgill Spring Market 2019. 6 pages.

(56)

References Cited

OTHER PUBLICATIONS

Applicant AMSA, Inc. DBA VersaCart Systems Shopping Baskets Brochure 2019. 3 pages.

Applicant AMSA, Inc. DBA VersaCart Systems Shopping Carts Brochure 2019. 3 pages.

Applicant AMSA, Inc. DBA VersaCart Systems True Value flyer Spring 2019. 6 pages.

Applicant AMSA, Inc. DBA VersaCart Systems Brochure for ACE Fall Convention 2019. 4 pages.

Applicant AMSA, Inc. DBA VersaCart Systems Brochure for Do It Best Fall Market 2019. 6 pages.

Applicant AMSA, Inc. DBA VersaCart Systems Brochure for Orgill Fall Market 2019. 6 pages.

Applicant AMSA, Inc. DBA VersaCart Systems True Value flyer Fall 2019. 6 pages.

* cited by examiner



Fig. 1



Fig. 2



Fig. 3



Fig. 4

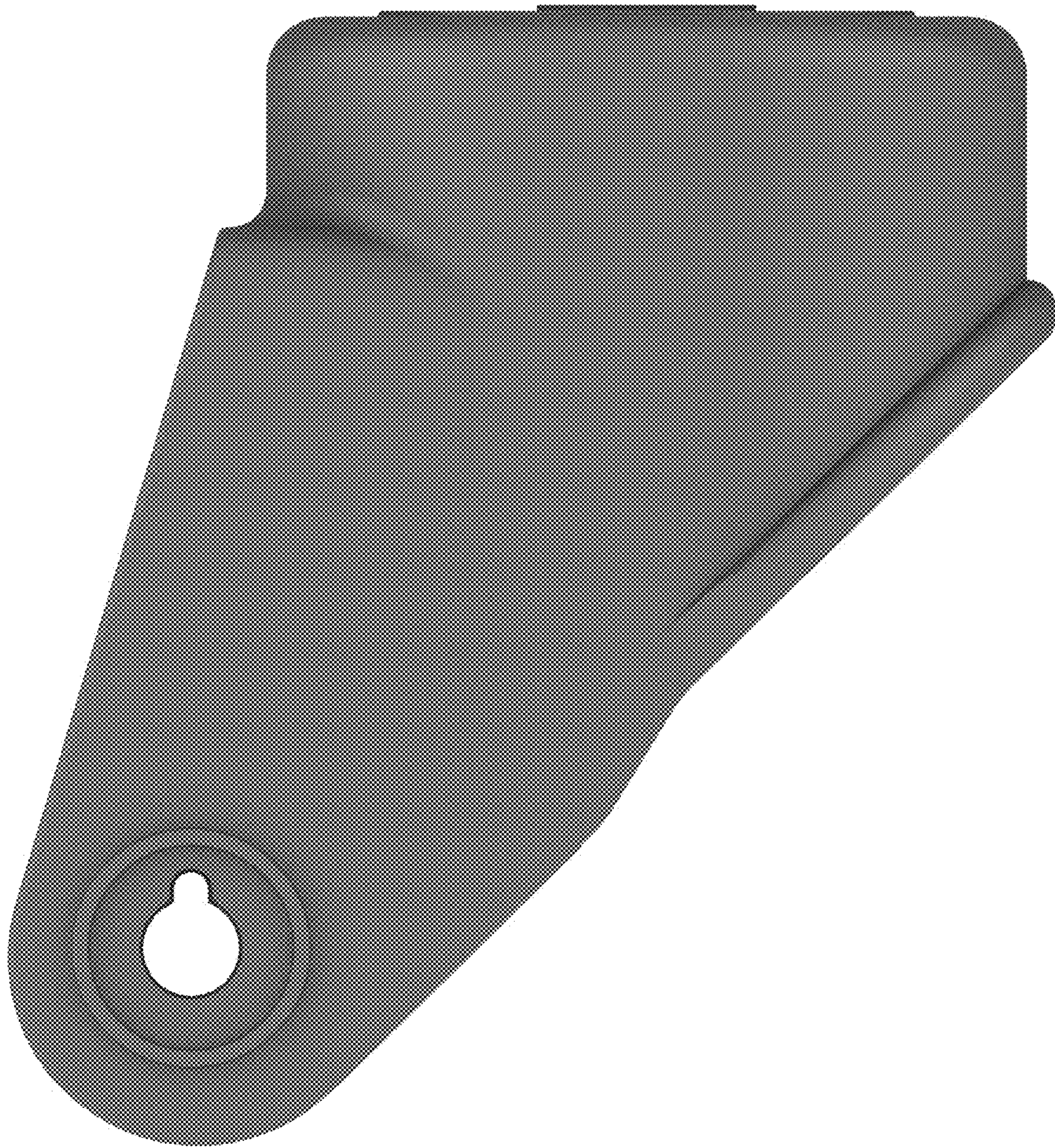


Fig. 5



Fig. 6



Fig. 7



Fig. 8



Fig. 9

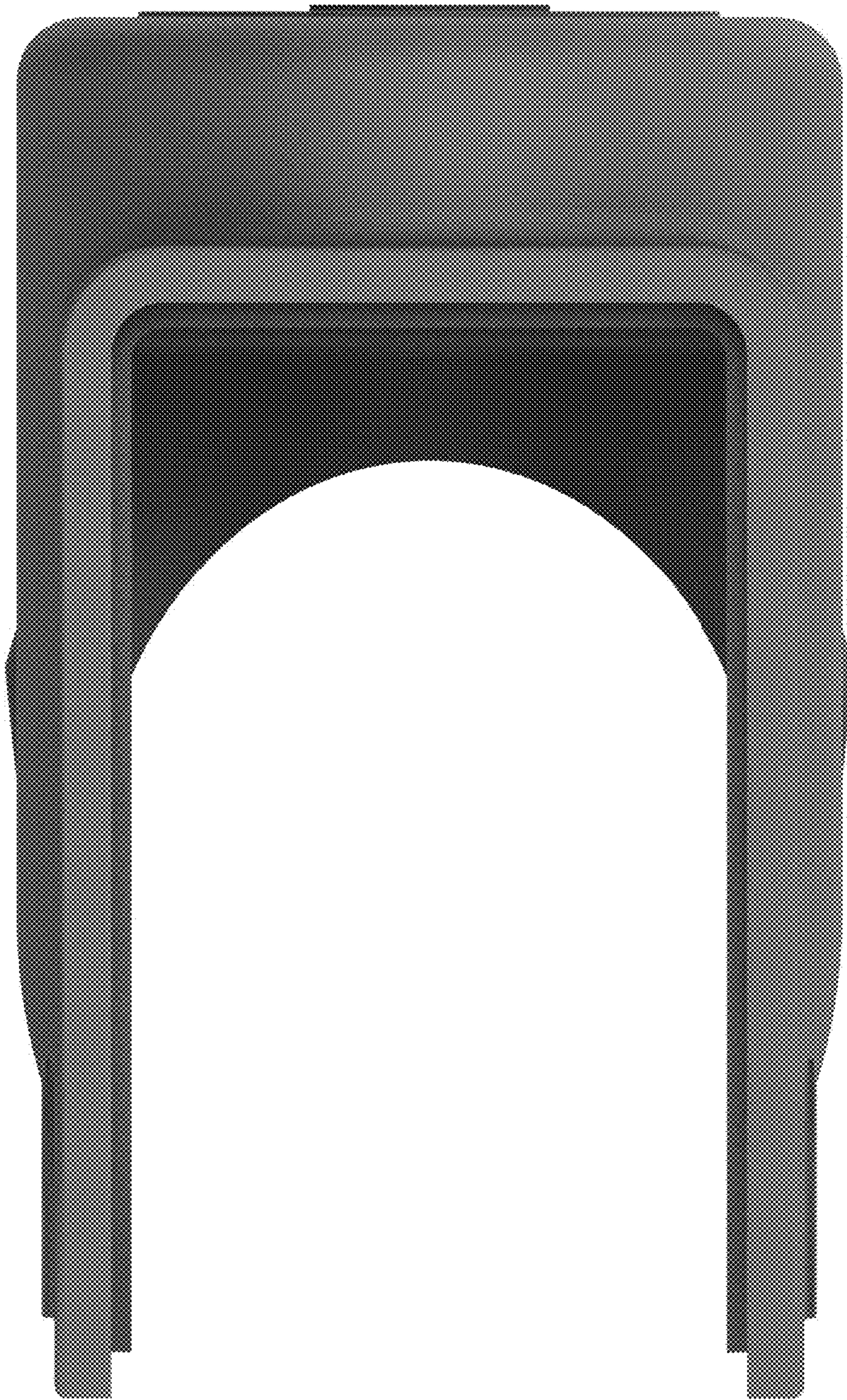


Fig. 10



Fig. 11

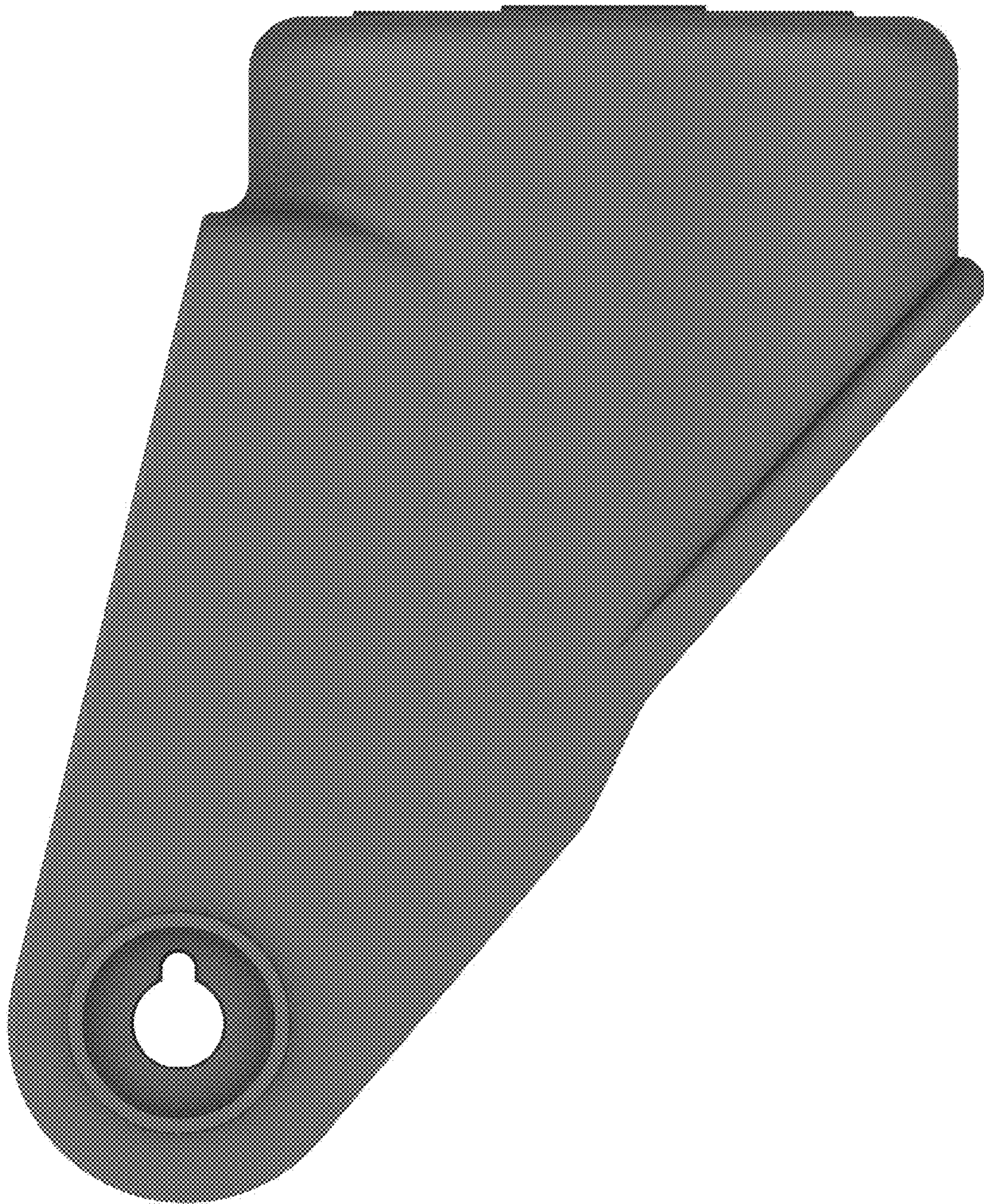


Fig. 12



Fig. 13



Fig. 14



Fig. 15



Fig. 16



Fig. 17



Fig. 18



Fig. 19

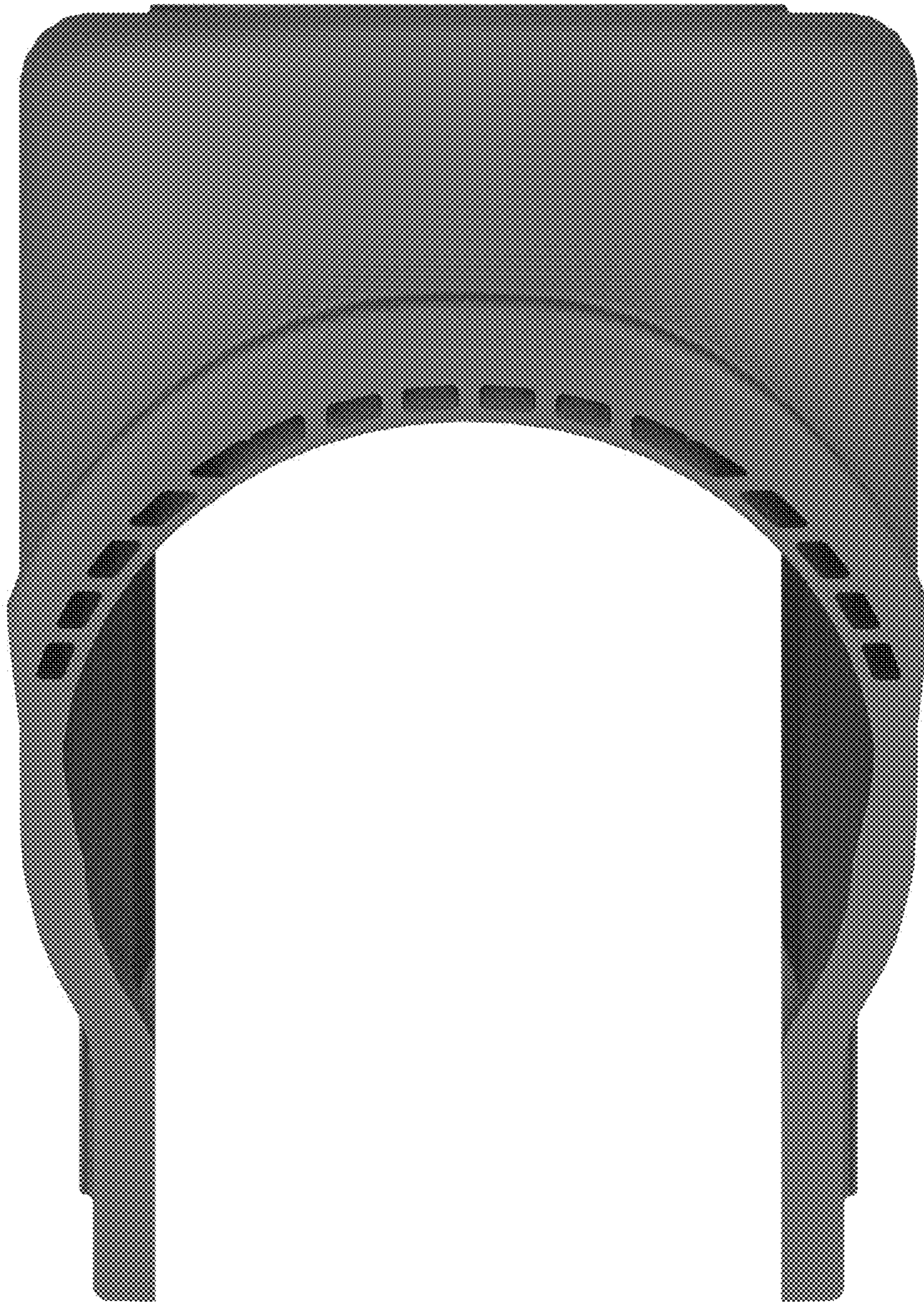


Fig. 20

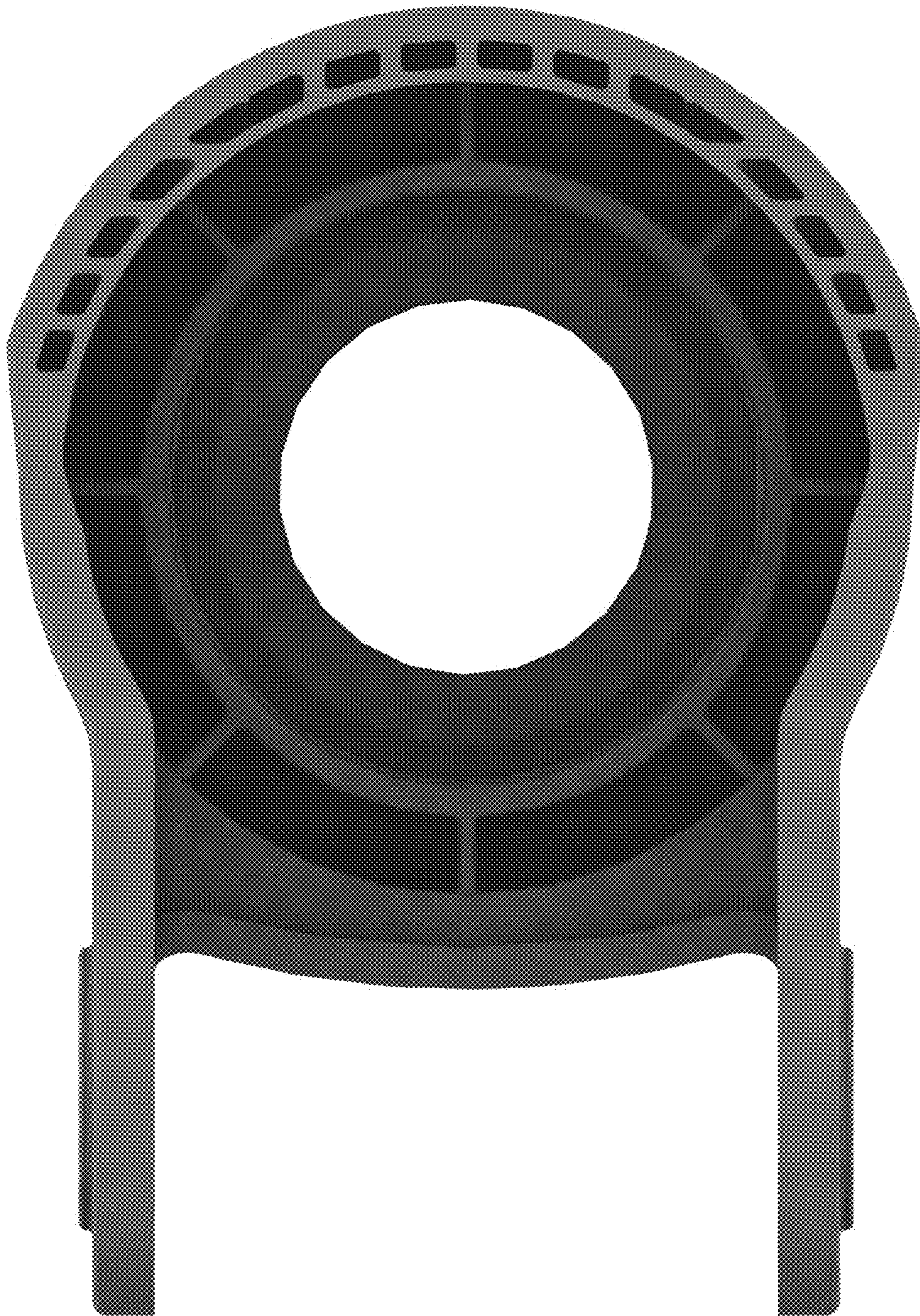


Fig. 21



Fig. 22



Fig. 23



Fig. 24



Fig. 25

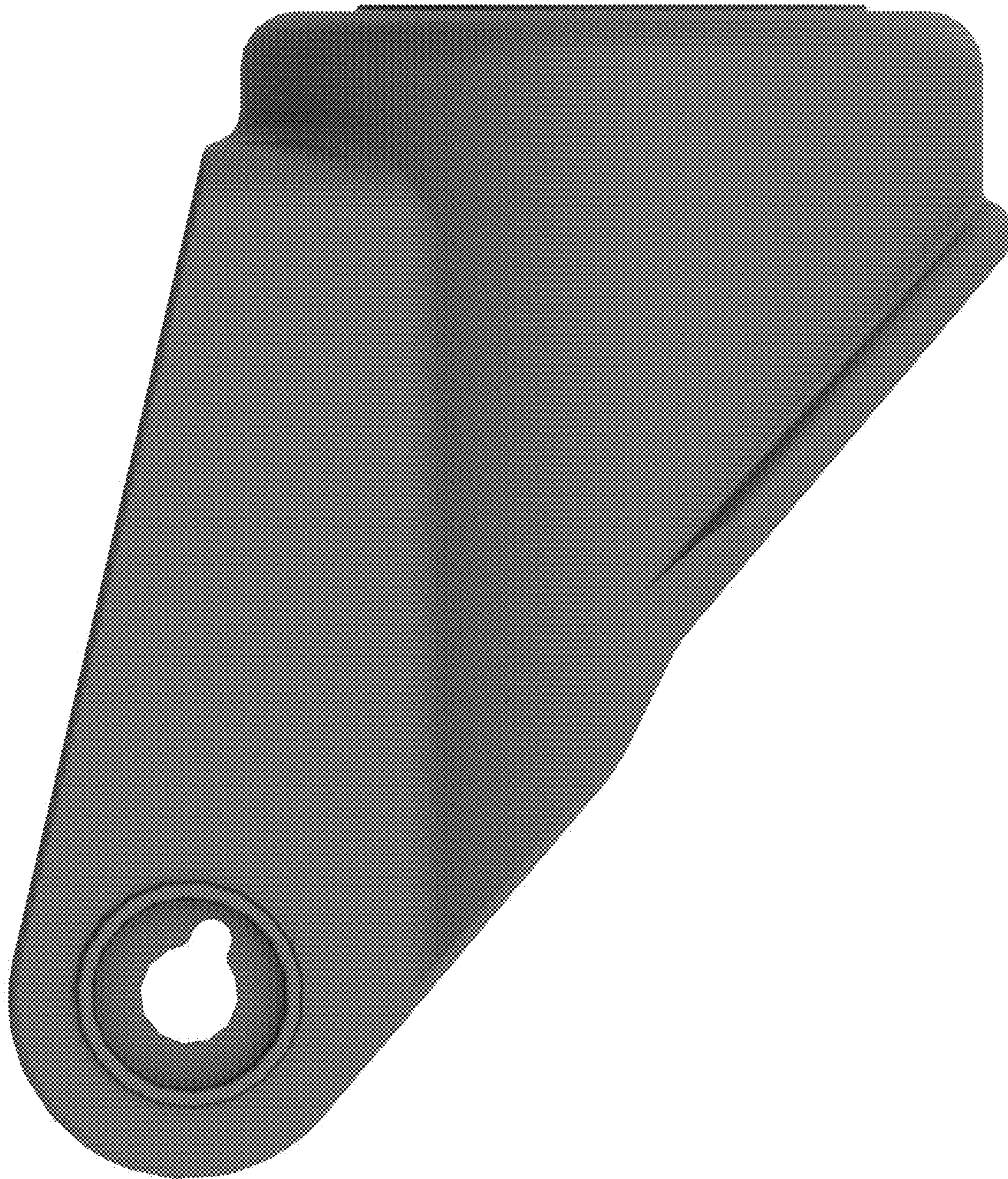


Fig. 26

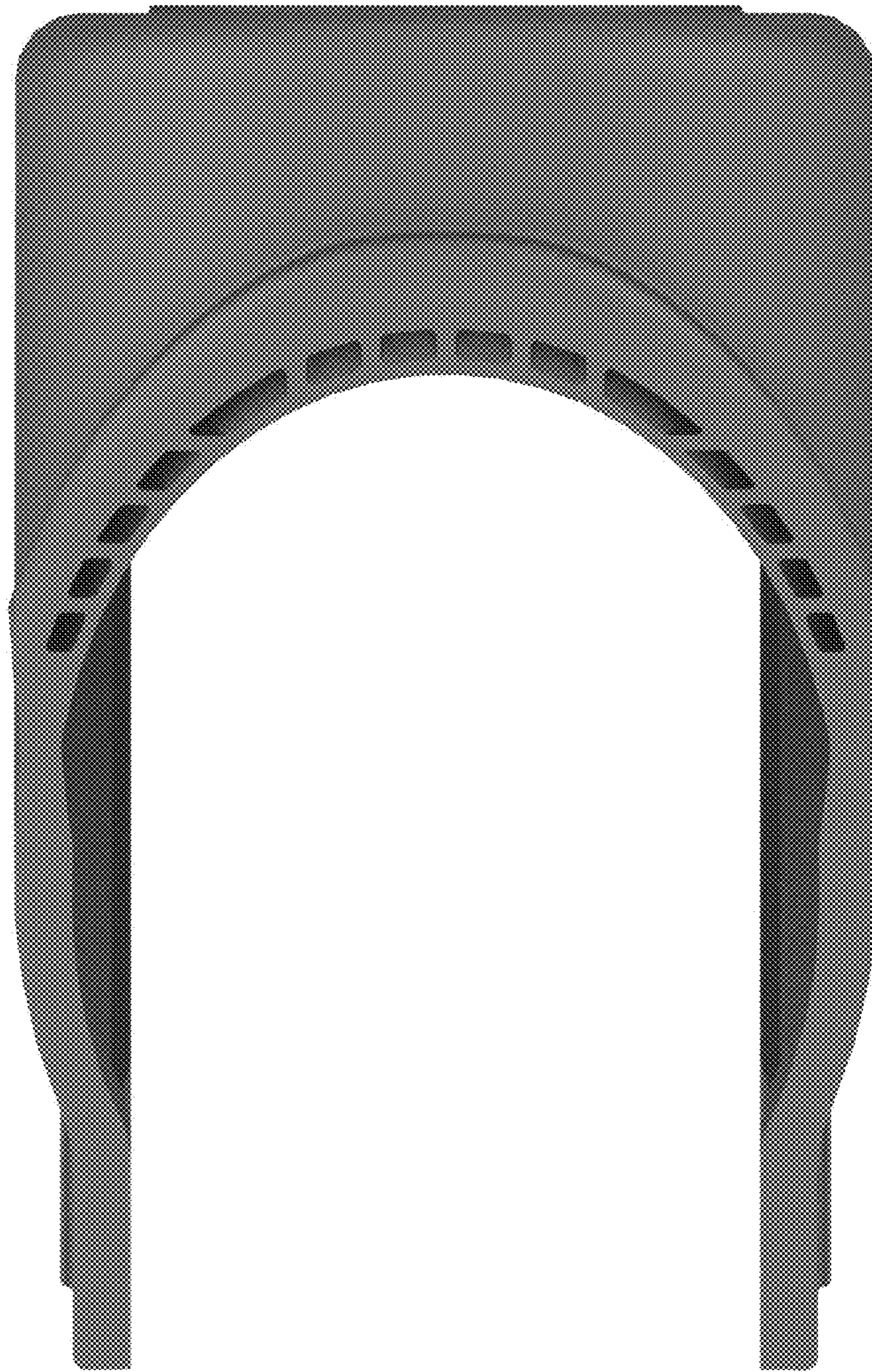


Fig. 27

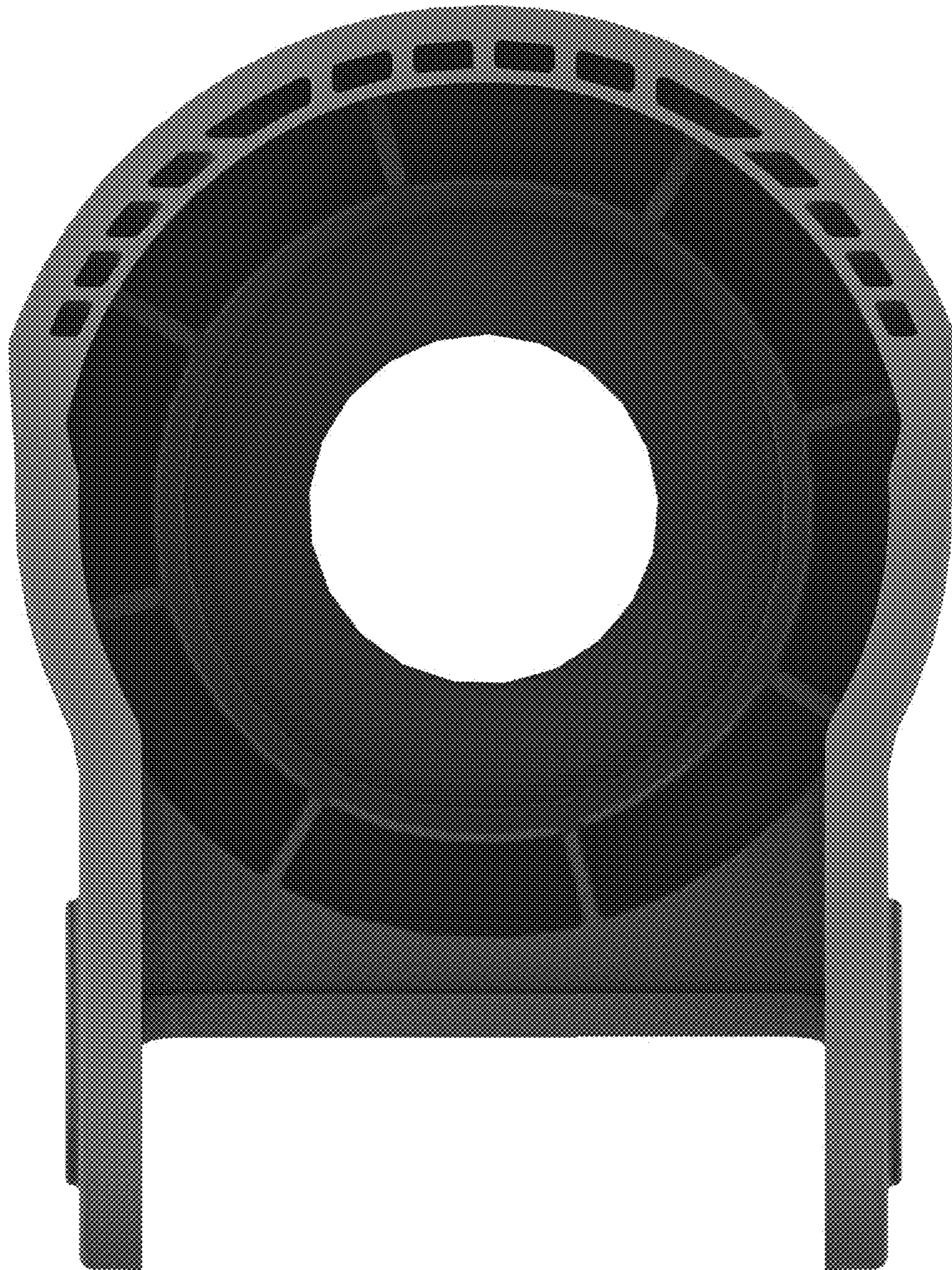


Fig. 28