



US00D958638S

(12) **United States Design Patent** (10) **Patent No.:** **US D958,638 S**
Ivanov (45) **Date of Patent:** **** Jul. 26, 2022**

(54) **WHEEL ASSEMBLY**
(71) Applicant: **Exemplis LLC**, Cypress, CA (US)
(72) Inventor: **Anton Ivanov**, Trabuco Canyon, CA (US)
(73) Assignee: **Exemplis LLC**, Cypress, CA (US)
(**) Term: **15 Years**
(21) Appl. No.: **29/650,971**

D340,182 S 10/1993 Soltani
D343,787 S 2/1994 Finkeldey et al.
D343,788 S * 2/1994 Soltani D8/375
D349,043 S 7/1994 Carlson et al.
D465,725 S * 11/2002 Holbrook D8/375
D503,316 S 3/2005 Webb et al.
D505,316 S 5/2005 Topel
D557,121 S 12/2007 Screen
D557,123 S 12/2007 Screen
D561,014 S * 2/2008 Brodbeck D8/375
D570,200 S 6/2008 Jen
D573,452 S 7/2008 Graffunder et al.
D593,400 S 6/2009 Jones et al.
D593,847 S * 6/2009 Graffunder D8/375

(Continued)

(22) Filed: **Jun. 11, 2018**
(51) **LOC (13) Cl.** **08-05**
(52) **U.S. Cl.**
USPC **D8/375**
(58) **Field of Classification Search**
USPC D8/354, 366, 371, 372, 367, 374, 373, D8/376, 375
CPC B60B 33/0028; B60B 33/001; B60B 33/0073; B60B 33/0049; B60B 33/0057; B60B 33/0002; B60B 33/0068; B60B 33/0039; B60B 33/0021; A47C 7/006
See application file for complete search history.

FOREIGN PATENT DOCUMENTS

AU 201817441 12/2018
AU 201911023 5/2019

(Continued)

Primary Examiner — Eliza Z Harvey
(74) *Attorney, Agent, or Firm* — Knobbe Martens Olson & Bear LLP

(57) **CLAIM**

The ornamental design for a wheel assembly, as shown and described.

(56) **References Cited**

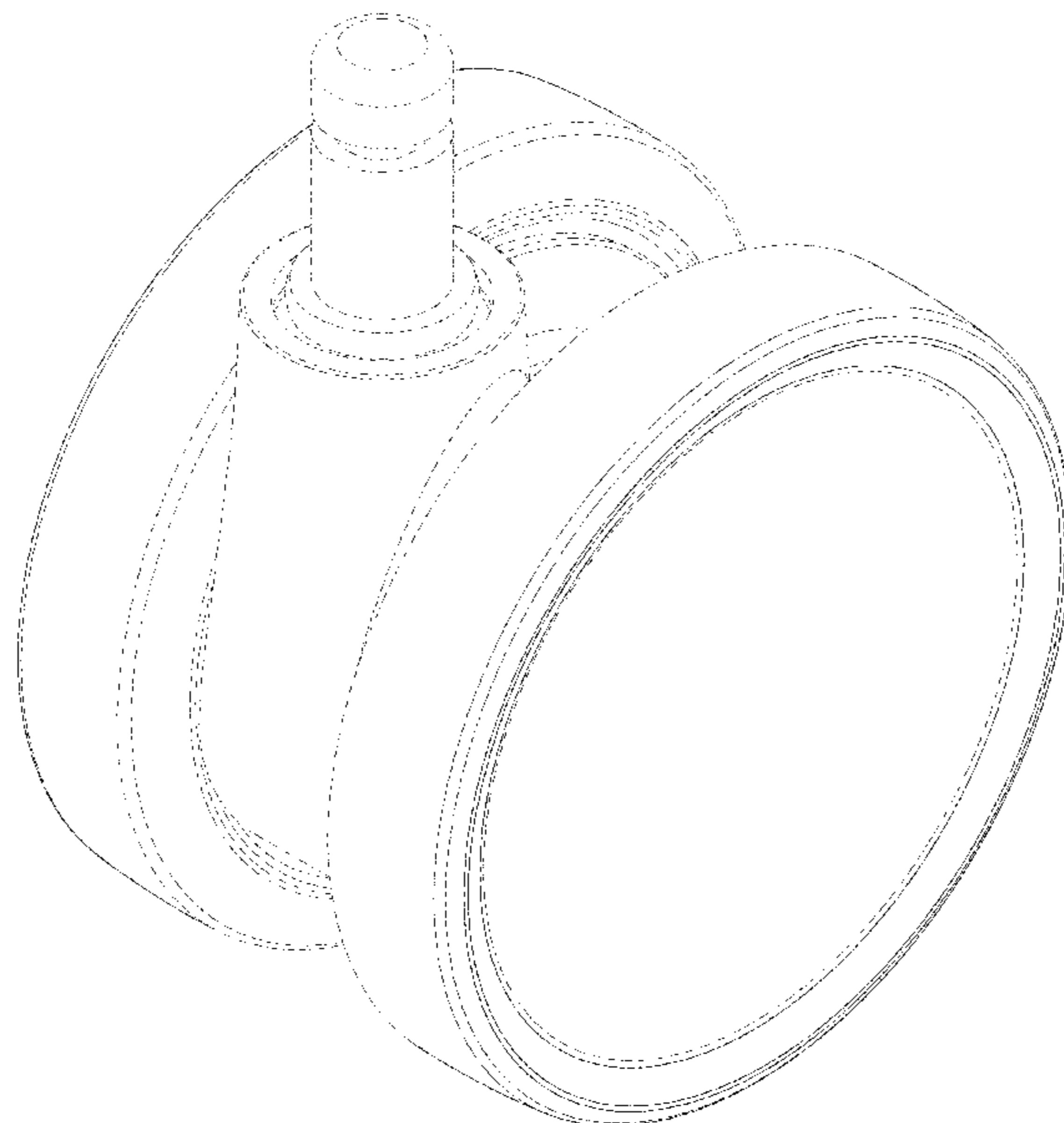
U.S. PATENT DOCUMENTS

2,059,348 A 11/1936 Herold
2,129,579 A 9/1938 Herold
D130,592 S 12/1941 Parkhill
3,691,590 A 9/1972 Drabert
D241,004 S * 8/1976 Pinaire D8/375
D241,611 S 9/1976 Crescenzi et al.
D244,989 S * 7/1977 Crescenzi D8/375
D266,396 S * 10/1982 Neville 16/107
D288,287 S 2/1987 Screen
D296,300 S 6/1988 Doyle et al.
D310,622 S 9/1990 Screen
D319,384 S 8/1991 Lange
D329,011 S 9/1992 Block

DESCRIPTION

FIG. 1 is a top, front, and right-side perspective view of the wheel assembly;
FIG. 2 is a front elevational view thereof;
FIG. 3 is a rear elevational view thereof;
FIG. 4 is a left-side elevational view thereof;
FIG. 5 is a right-side elevational view thereof;
FIG. 6 is a top plan view thereof; and,
FIG. 7 is a bottom plan view thereof.
All features illustrated in phantom line are expressly disclaimed and form no part of the claimed design.

1 Claim, 7 Drawing Sheets



(56)

References Cited

U.S. PATENT DOCUMENTS

D594,316 S	6/2009	Rhein et al.	
D603,690 S	11/2009	Rhein et al.	
D653,526 S *	2/2012	Melara	D8/375
D662,401 S	6/2012	Lin et al.	
D720,385 S	12/2014	Lampp	
D766,073 S *	9/2016	Hozumi	D8/375
D795,045 S *	8/2017	Diz	B60B 33/0028 D8/375
D804,939 S *	12/2017	Starck	D8/375
D913,082 S	3/2021	DeVries et al.	
D917,945 S *	5/2021	DeVries	D6/708.24
2009/0113671 A1 *	5/2009	Chu	B60B 33/0073 16/35 R

FOREIGN PATENT DOCUMENTS

BR	302018055728-0	10/2019
CA	185245	12/2020
CN	201830715422.6	7/2019
CN	202030460594.0	7/2021
EM	005876059-0001	2/2019
EM	005876059-0002	2/2019
EM	005876059-0003	2/2019
GB	90058760590001	2/2019
GB	90058760590002	2/2019
GB	90058760590003	2/2019
MX	60317	3/2021

* cited by examiner

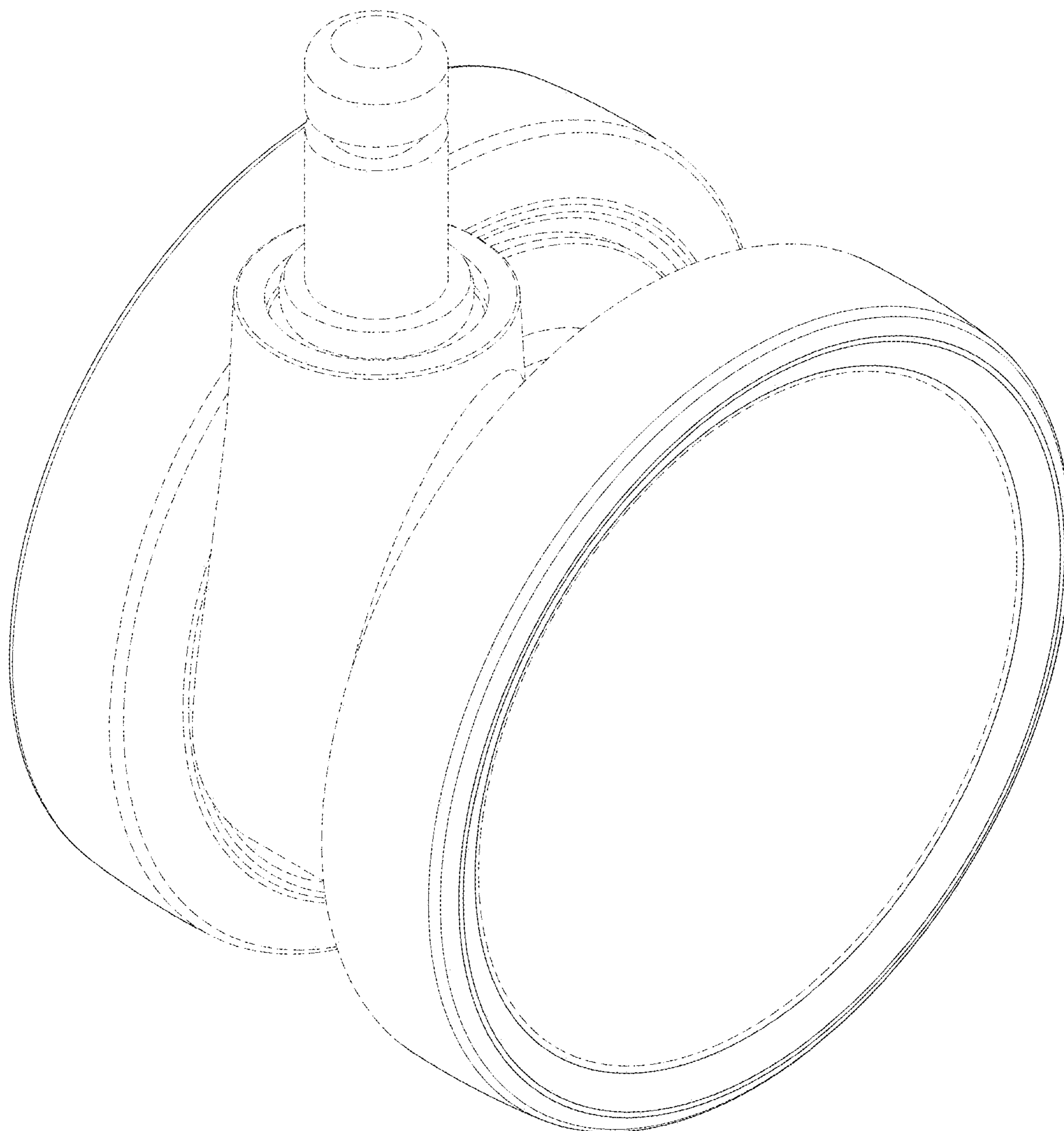


FIG. 1

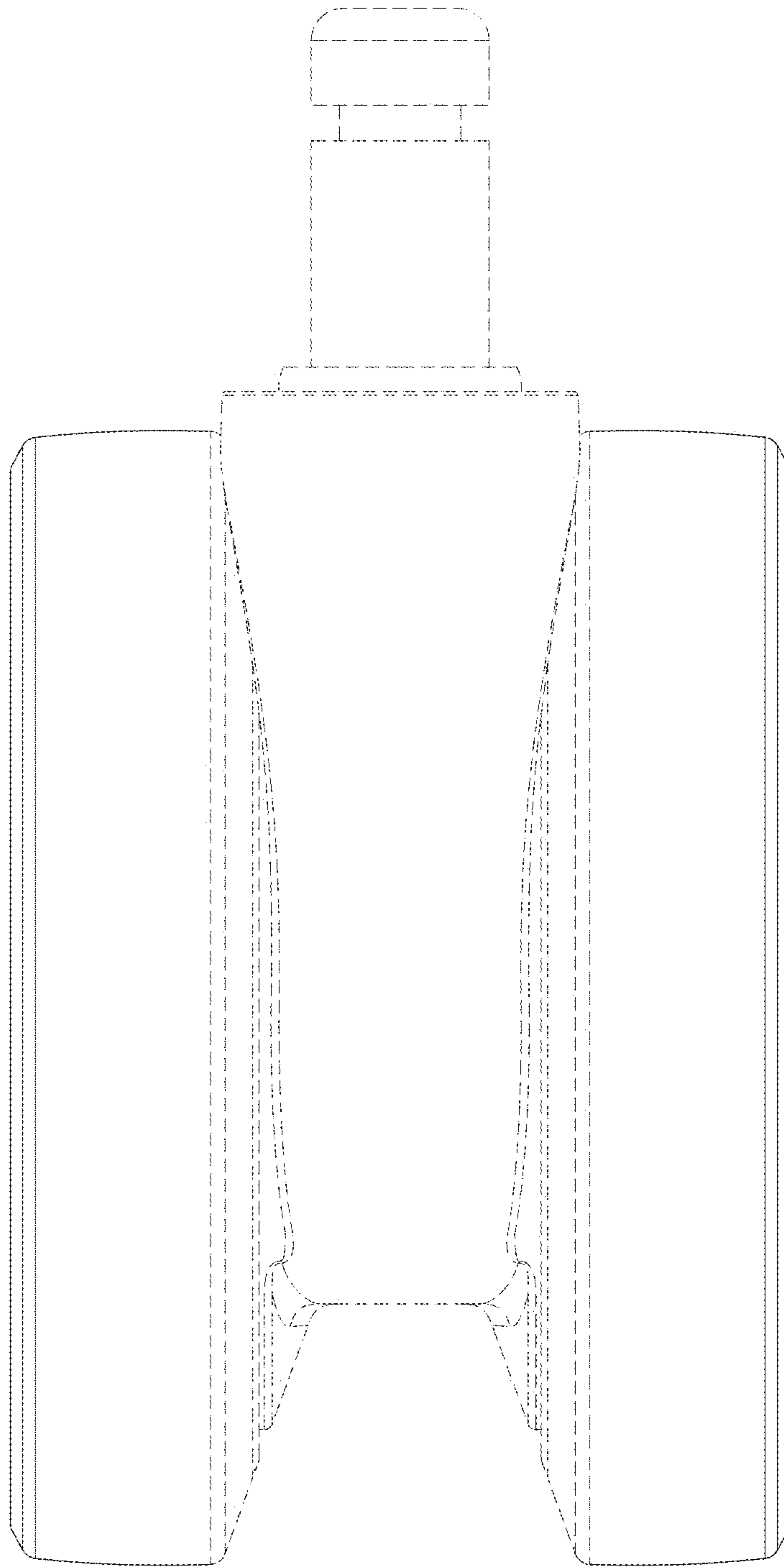


FIG. 2

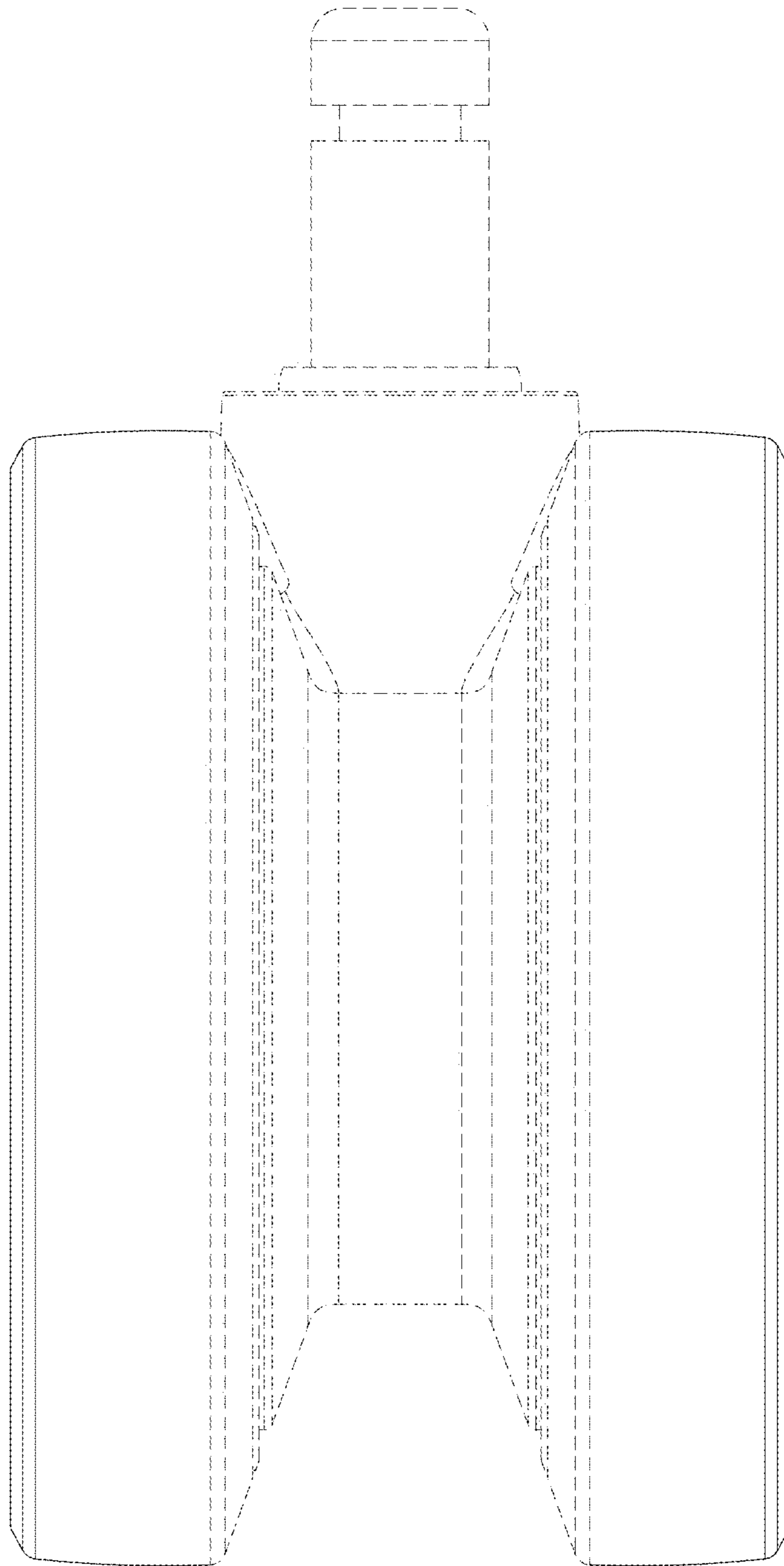


FIG. 3

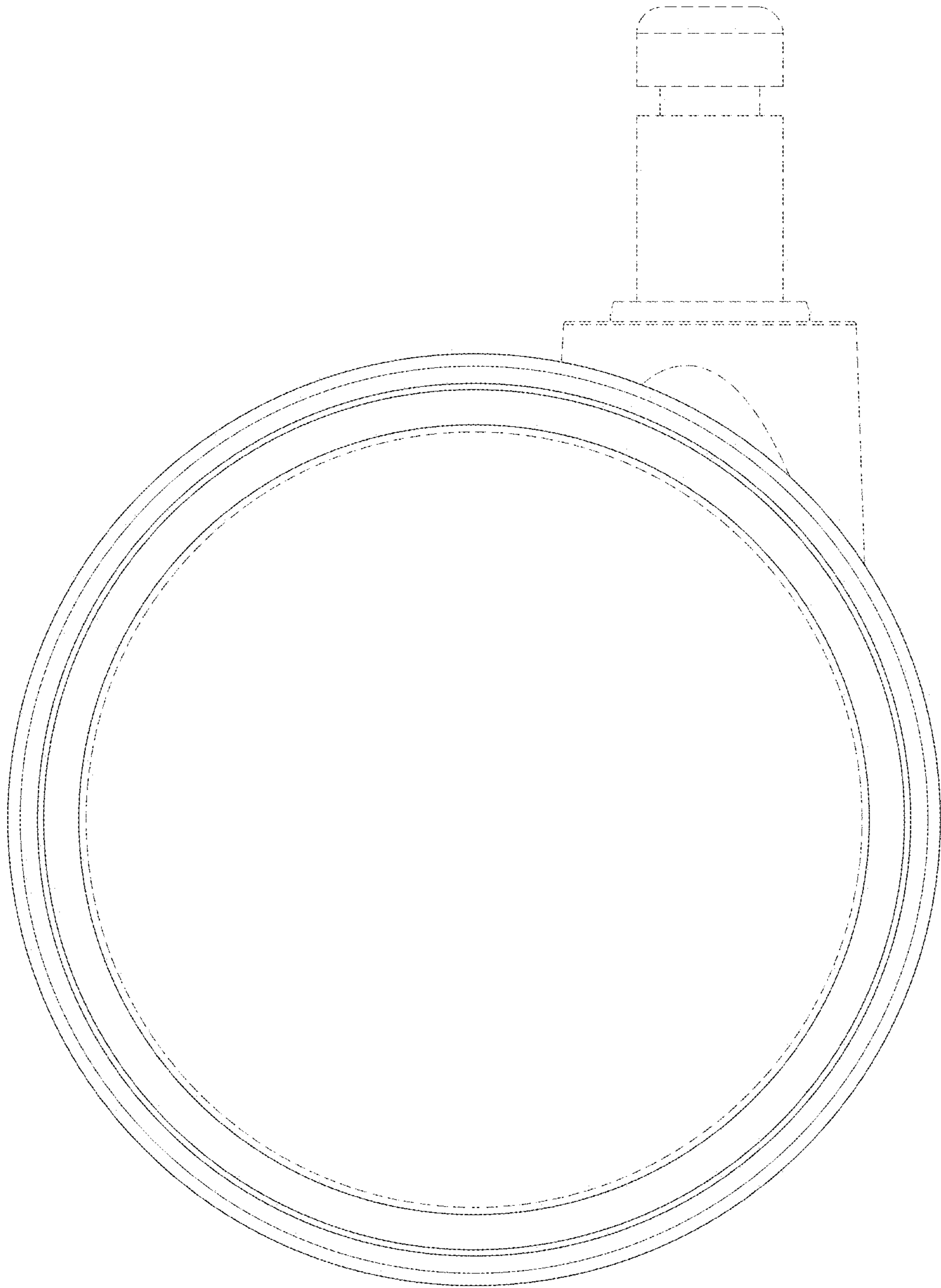


FIG. 4

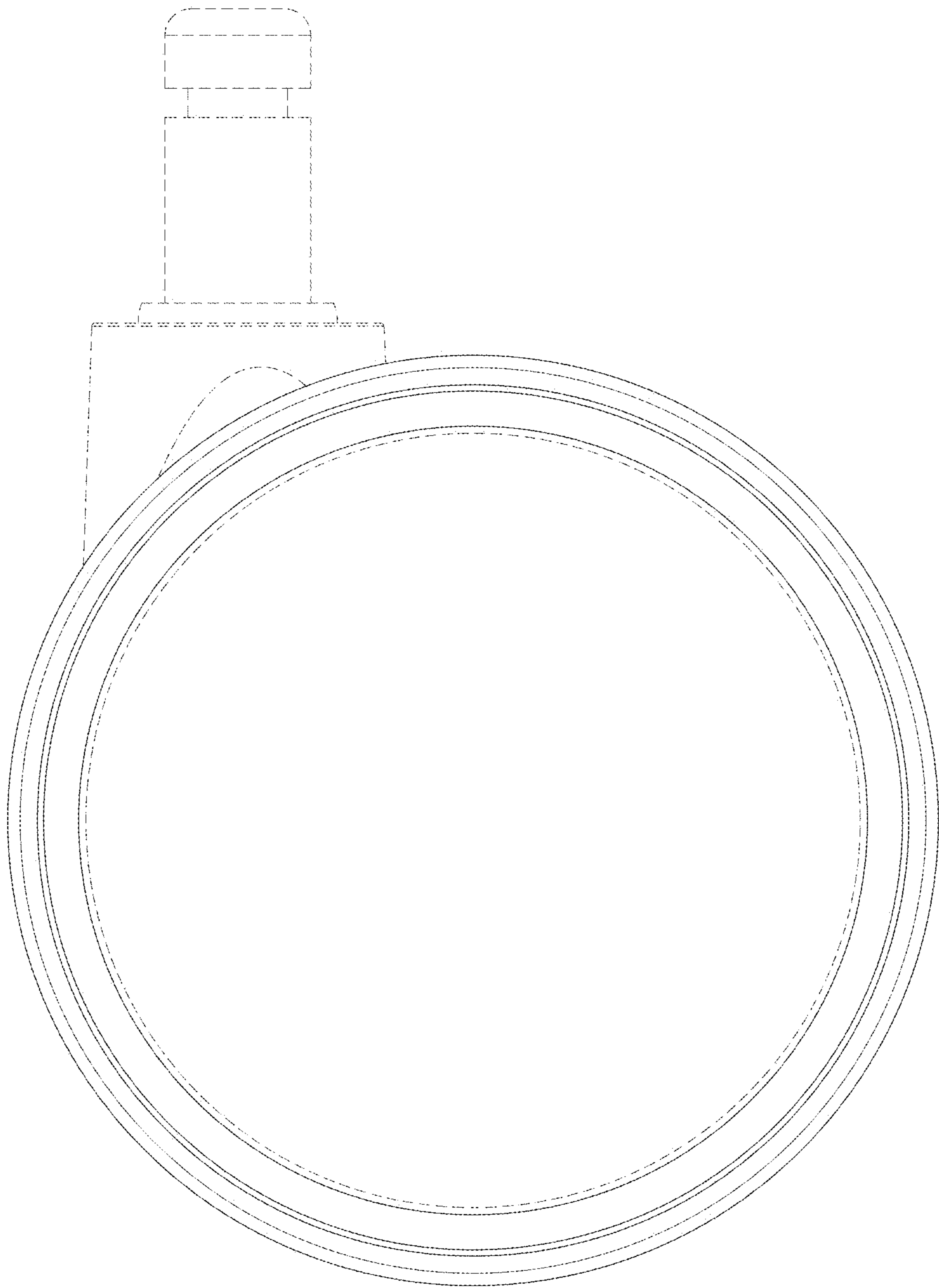


FIG. 5

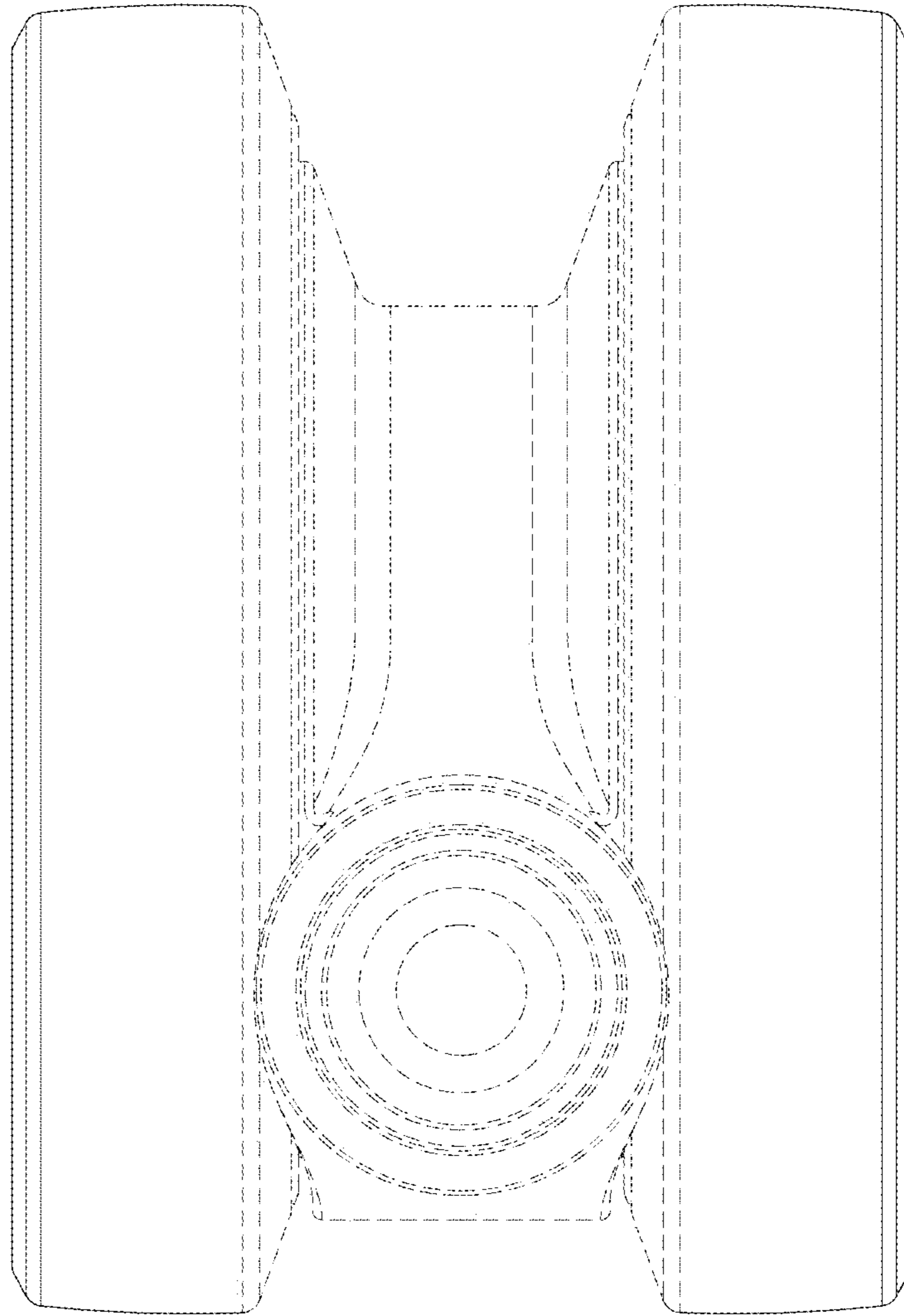


FIG. 6

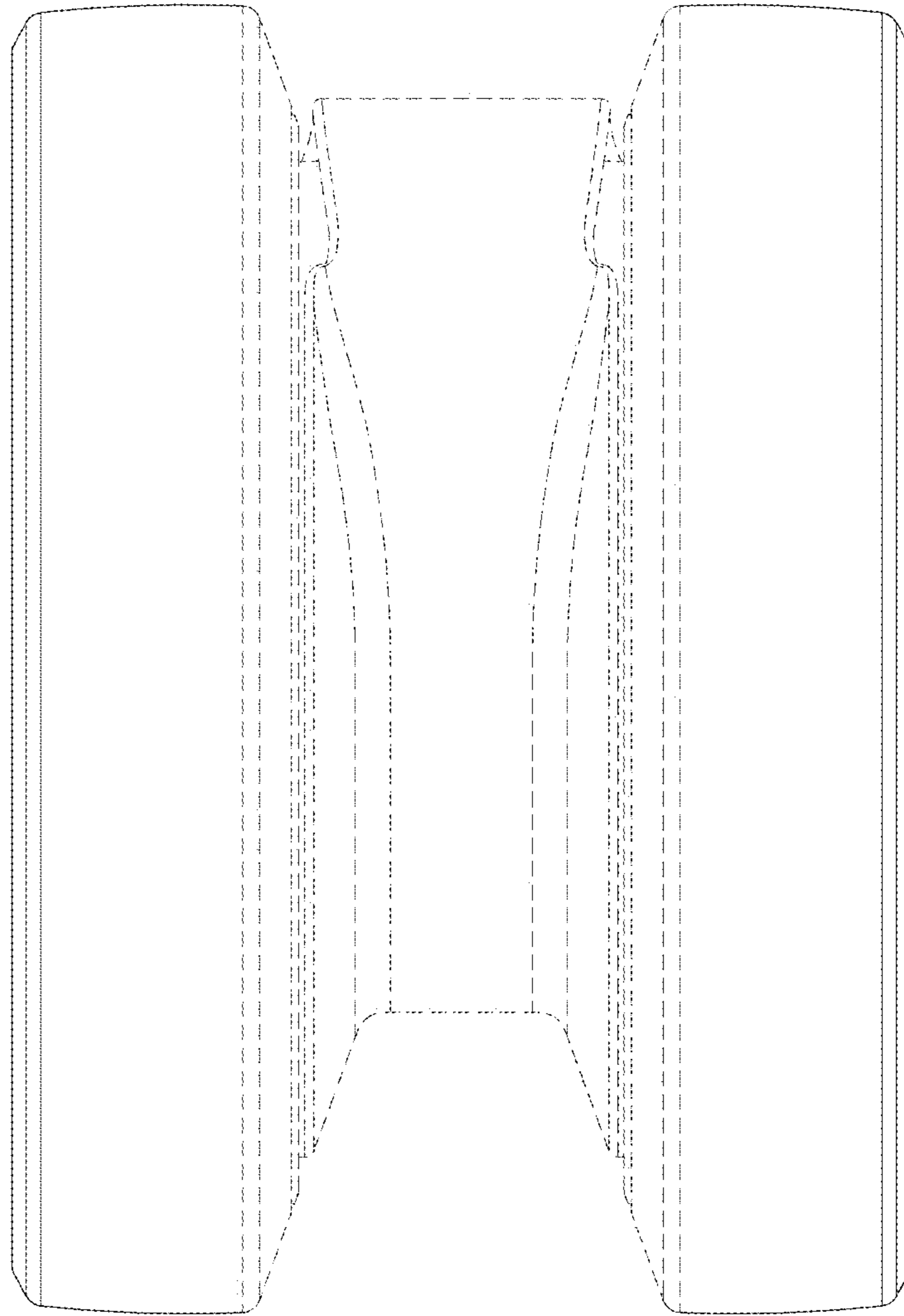


FIG. 7