



US00D958635S

(12) **United States Design Patent** (10) **Patent No.:** **US D958,635 S**
Su (45) **Date of Patent:** **** Jul. 26, 2022**

(54) **THREE-SECTION FIXED BRACKET**

(71) Applicant: **Dongguan Fengjie Bathroom Co., Ltd.**, Guangdong (CN)

(72) Inventor: **Zhengbing Su**, Hunan (CN)

(73) Assignee: **DongGuan Fengjie Bathroom Co., Ltd.**

(**) Term: **15 Years**

(21) Appl. No.: **29/757,361**

(22) Filed: **Nov. 5, 2020**

(51) **LOC (13) Cl.** **08-05**

(52) **U.S. Cl.**
USPC **D8/354**

(58) **Field of Classification Search**
USPC D8/354, 390, 355-357, 360, 373, D8/380-382, 394-395, 47-49, 40
CPC ... E04C 5/18; E04C 5/168; E04C 5/20; E04C 2/044; E04C 2/288; E04C 2/384; E04C 2002/047; E04C 2003/026; E04C 5/02; E04C 5/03; E04C 5/16; E04C 5/163; E04C 5/201; E04C 5/203; B62D 17/00
See application file for complete search history.

(56) **References Cited**

U.S. PATENT DOCUMENTS

4,565,346	A *	1/1986	Edwards	H01Q 19/13 403/4
4,658,968	A *	4/1987	Mastrodicasa	A47B 46/00 211/187
4,669,692	A *	6/1987	Mastrodicasa	A47B 46/00 211/187
4,684,094	A *	8/1987	Everett	A47B 57/404 248/245
D341,819	S *	11/1993	Carlstrom	D8/381
D344,885	S *	3/1994	Loew	D8/381
D347,379	S *	5/1994	Alt	D8/367
D347,783	S *	6/1994	Alt	D8/367

D359,379	S *	6/1995	Haviland	D26/140
D577,575	S *	9/2008	Ernst	D8/373
D577,576	S *	9/2008	Ernst	D8/373
D891,231	S *	7/2020	Gilner	D8/354
D902,696	S *	11/2020	Bennett	D8/354
D924,668	S *	7/2021	Brenizer, Jr.	D8/387
D925,338	S *	7/2021	Dedios-Shirley	D8/354
D938,249	S *	12/2021	Hyma	D8/47
D941,113	S *	1/2022	Hyma	D8/47

OTHER PUBLICATIONS

Automatic Floor Free Standing Touchless Liquid Soap Dispensers—Fengjie Bathroom, Date Visited: May 17, 2022, Fengjie Bathroom, Date Available: May 17, 2022, <https://www.foam-dispensers.com/products/automatic-liquid-soap-dispensers> (Year: 2022).*
Automatic Hand Sanitizer Dispenser, Date Visited: May 17, 2022, Fengjie Bathroom, Date Available: May 17, 2022, <https://www.foam-dispensers.com/products/automatic-hand-sanitizer-dispenser-with-stand-touchless-automatic-soap-spray-dispenser-for-hotel-office-hospital-supermarket-1000ml> (Year: 2022).*

* cited by examiner

Primary Examiner — Karen S Acker
Assistant Examiner — Elizabeth S Ko

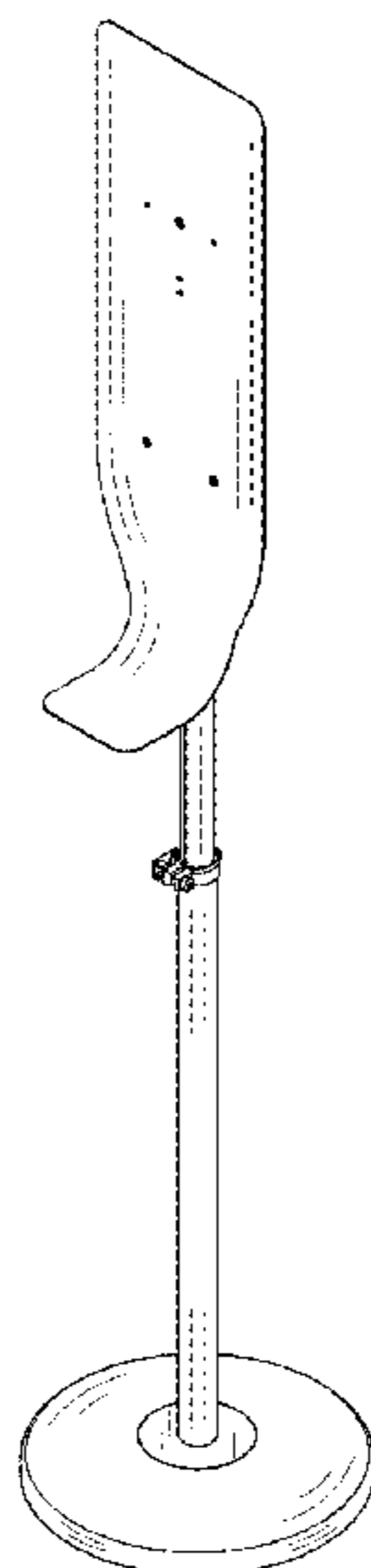
(57) **CLAIM**

The ornamental design for a three-section fixed bracket, as shown and described.

DESCRIPTION

FIG. 1 is a front view of the three-section fixed bracket showing my new design;
FIG. 2 is a back view thereof;
FIG. 3 is a left side view thereof;
FIG. 4 is a right side view thereof;
FIG. 5 is a top view thereof;
FIG. 6 is a bottom view thereof;
FIG. 7 is a perspective view thereof; and,
FIG. 8 is another perspective view thereof.

1 Claim, 8 Drawing Sheets



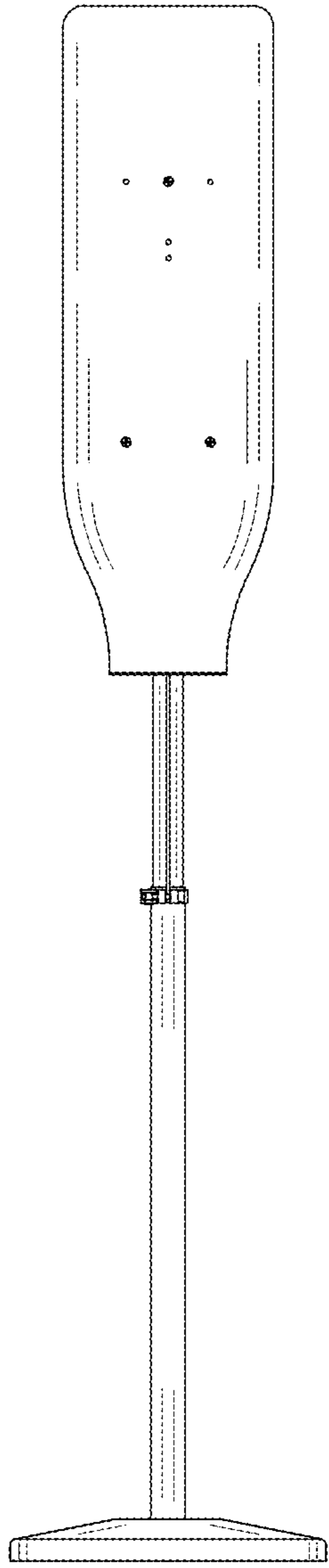


FIG. 1

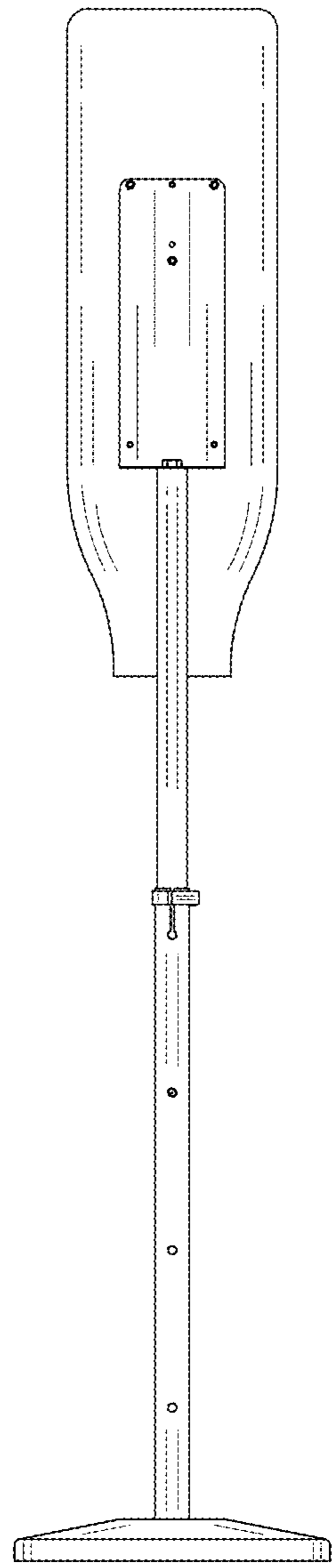


FIG. 2

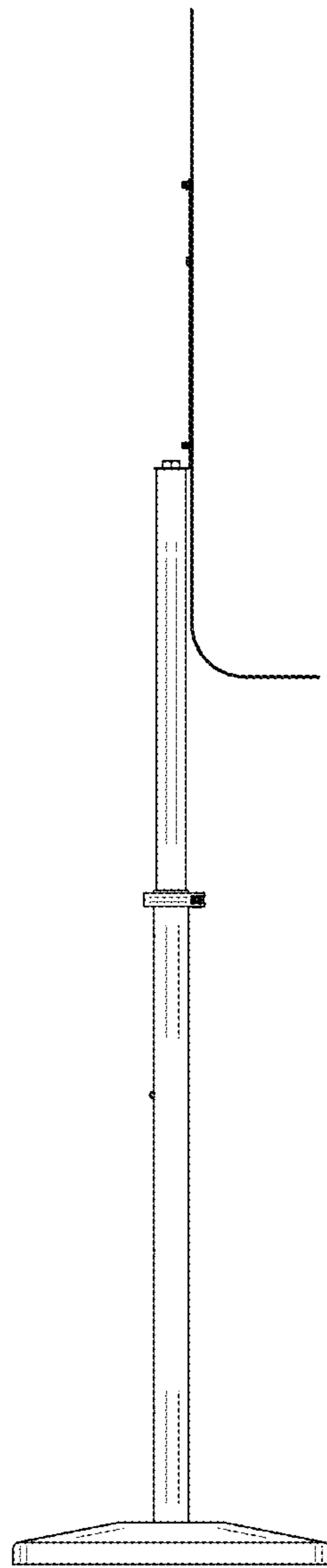


FIG. 3

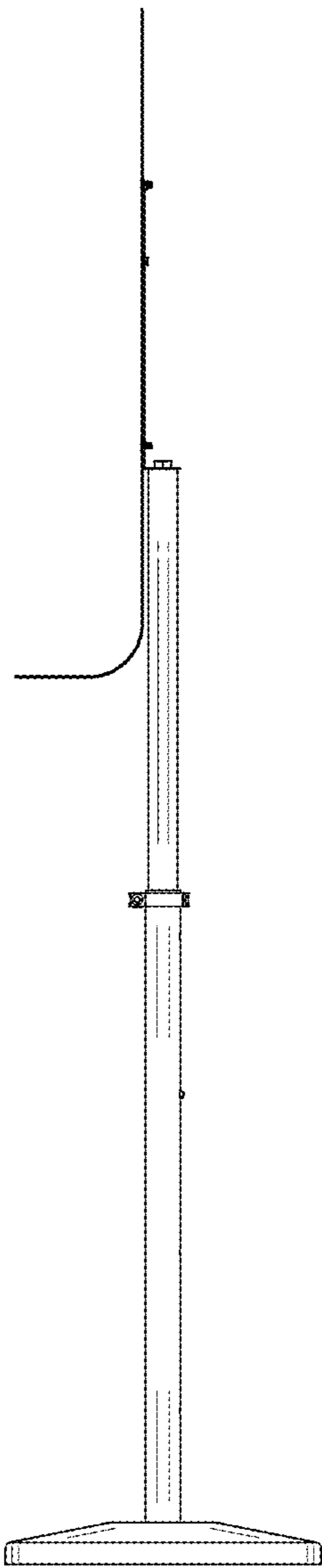


FIG. 4

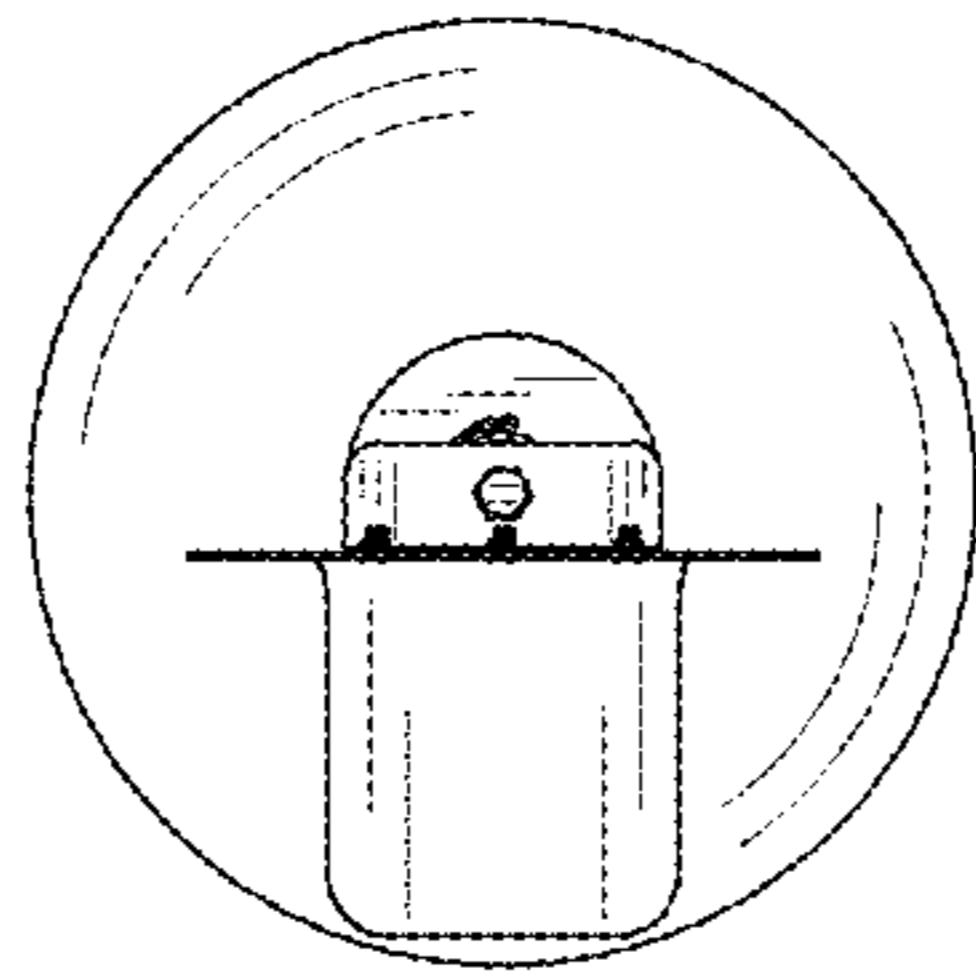


FIG. 5

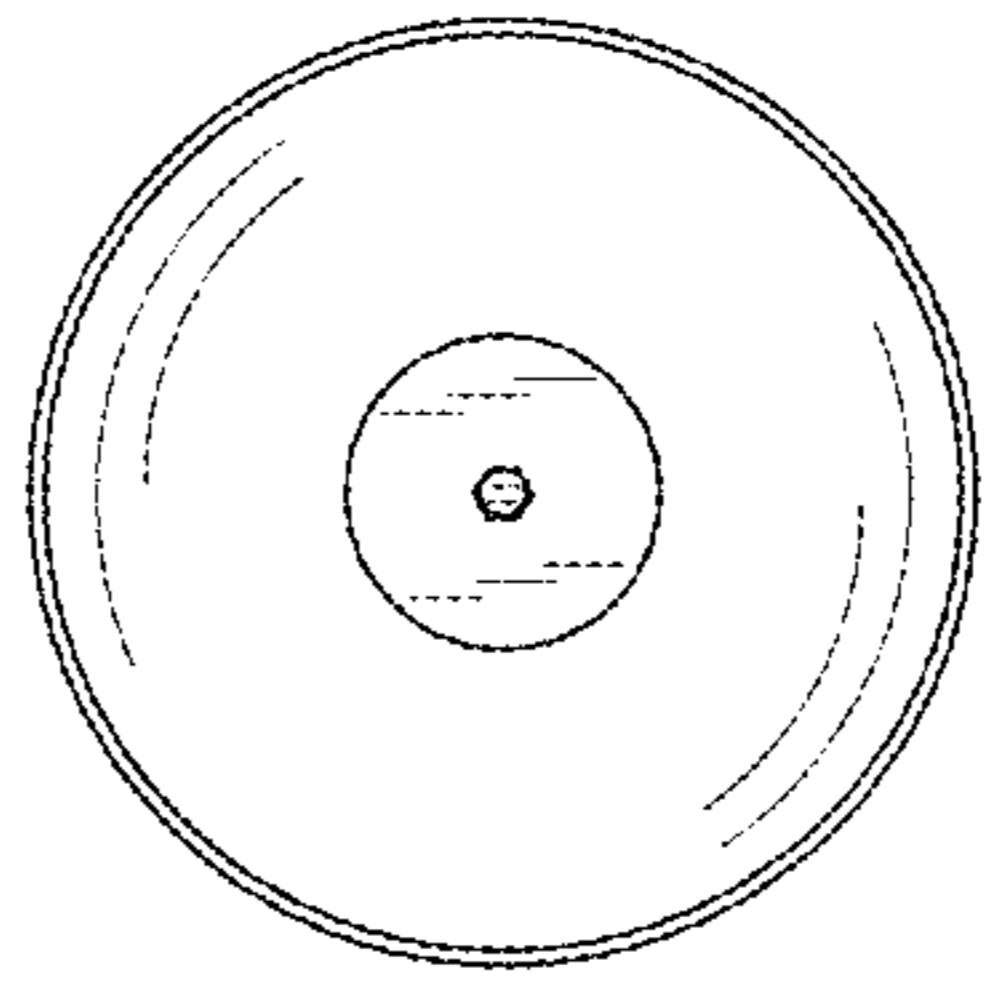


FIG. 6

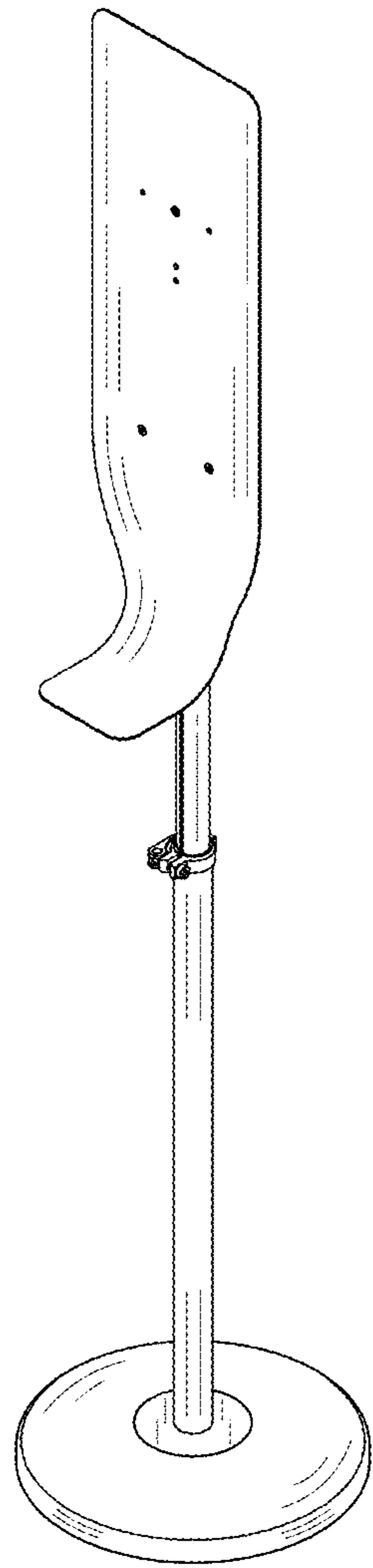


FIG. 7

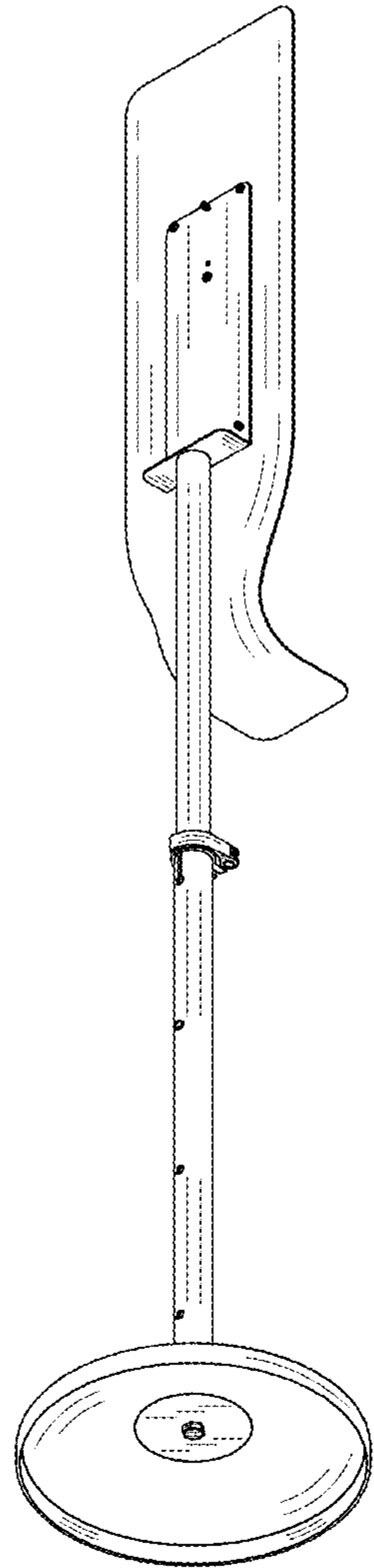


FIG. 8