



US00D958631S

(12) **United States Design Patent**
Salin

(10) **Patent No.:** **US D958,631 S**
(45) **Date of Patent:** **** Jul. 26, 2022**

(54) **MULTIFUNCTION POCKET KNIFE**

(71) Applicant: **HELVETICA BRANDS SA**, Delemont (CH)

(72) Inventor: **Arnaud Salin**, Bermont (FR)

(73) Assignee: **HELVETICA BRANDS SA**, Delemont (CH)

(**) Term: **15 Years**

(21) Appl. No.: **29/803,057**

(22) Filed: **Aug. 10, 2021**

Related U.S. Application Data

(62) Division of application No. 35/509,322, filed on Oct. 24, 2019 (U.S. filing date under 35 U.S.C. 384), and having an international filing date of Oct. 24, 2019, now Pat. No. Des. 932,863.

(51) **LOC (13) Cl.** **08-05**

(52) **U.S. Cl.**
USPC **D8/105; D30/158**

(58) **Field of Classification Search**
USPC D8/55, 104, 105; D30/158, 199
CPC A63B 57/50; B26B 11/001
See application file for complete search history.

(56) **References Cited**

U.S. PATENT DOCUMENTS

D143,670 S * 1/1946 Palmer et al. 7/161
D246,281 S * 11/1977 Ferrara, Jr. D7/649
4,187,607 A * 2/1980 Simuro B26B 11/001
168/48.1
D321,821 S * 11/1991 Luchak D8/93

D350,271 S * 9/1994 Landy D26/38
D381,474 S * 7/1997 Dalton D30/158
D385,471 S * 10/1997 Seber D8/98
D433,915 S * 11/2000 Elsener, Sr. D8/105
D443,396 S * 6/2001 Bison D30/158
D446,709 S * 8/2001 Rivera D8/107
D469,677 S * 2/2003 Hung D10/2
D471,421 S * 3/2003 Lang D8/99
D705,503 S * 5/2014 Brask D30/158
D807,724 S * 1/2018 Luthy B25G 1/085
D8/100
D911,135 S * 2/2021 Petzl D8/99
D932,863 S * 10/2021 Salin D21/793
D940,409 S * 1/2022 Childs D30/158
2020/0238546 A1 * 7/2020 Hug A61B 17/50

FOREIGN PATENT DOCUMENTS

CN 307032220 * 12/2021

* cited by examiner

Primary Examiner — Deanna L Pratt

(74) *Attorney, Agent, or Firm* — K&L Gates LLP

(57) **CLAIM**

The ornamental design for multi-function pocket knife, as shown and described.

DESCRIPTION

FIG. 1: Right
FIG. 2: Top
FIG. 3: Left
FIG. 4: Left
FIG. 5: Perspective

1 Claim, 2 Drawing Sheets

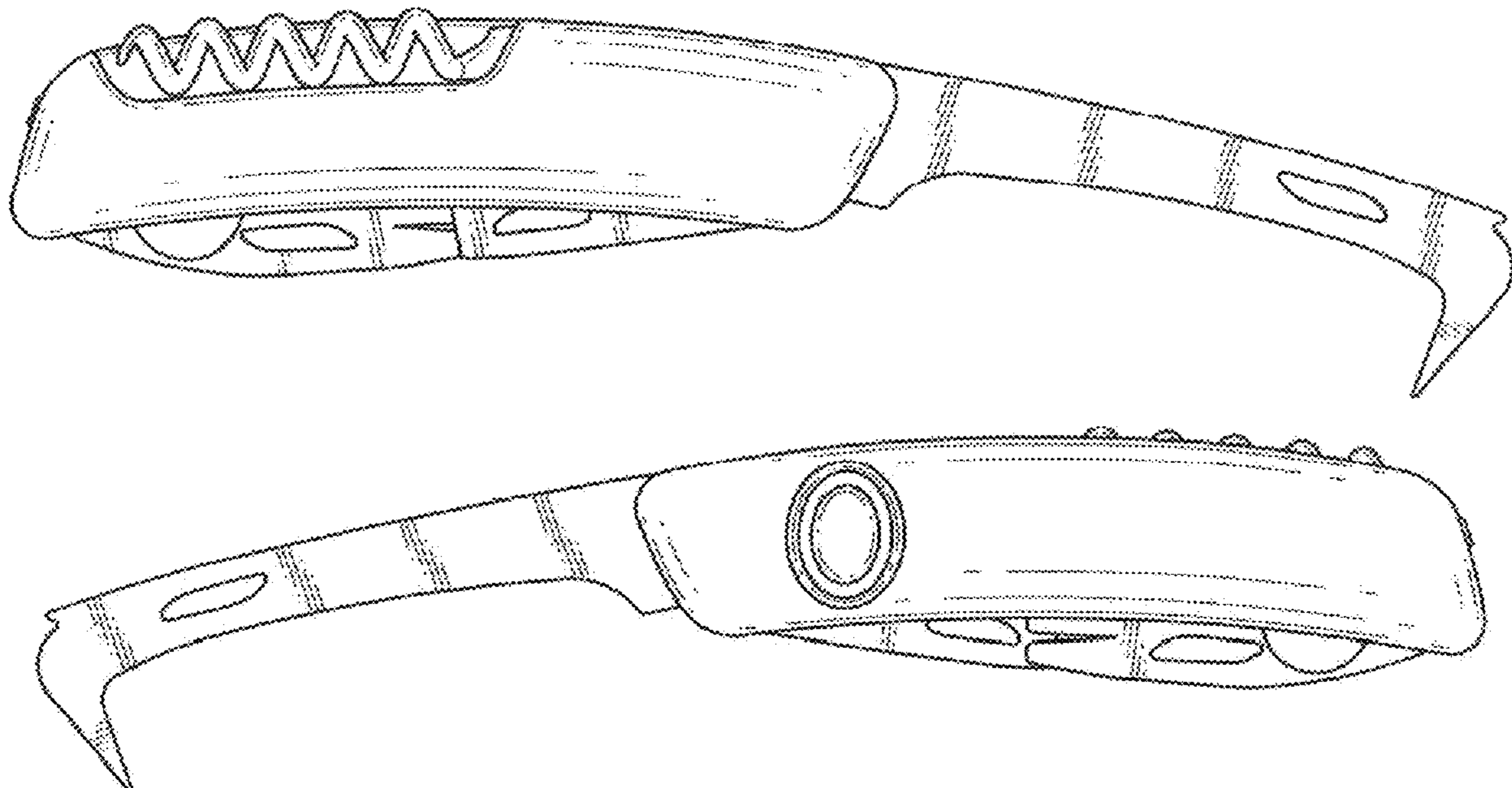


FIG. 1

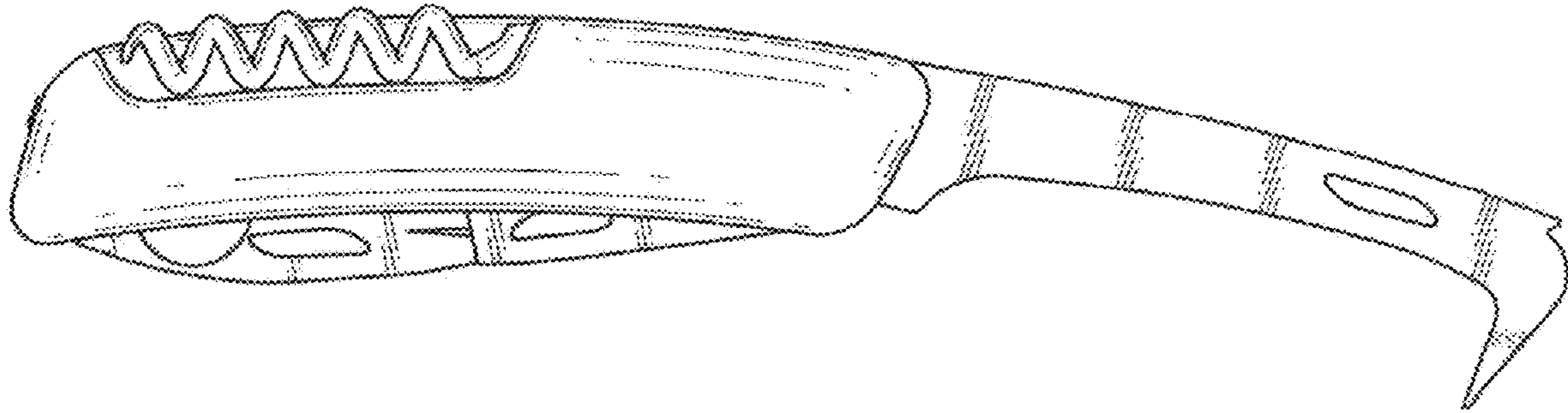


FIG. 2

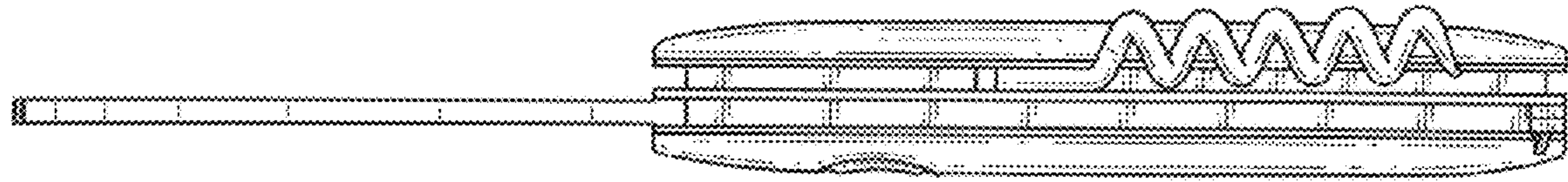


FIG. 3

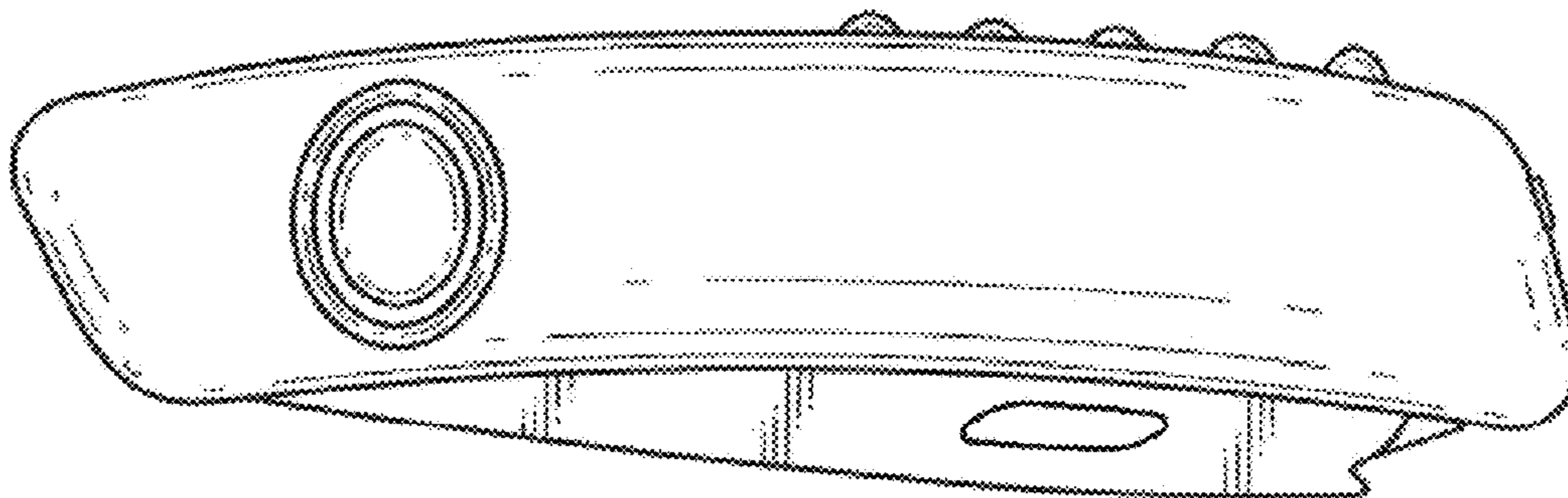


FIG. 4

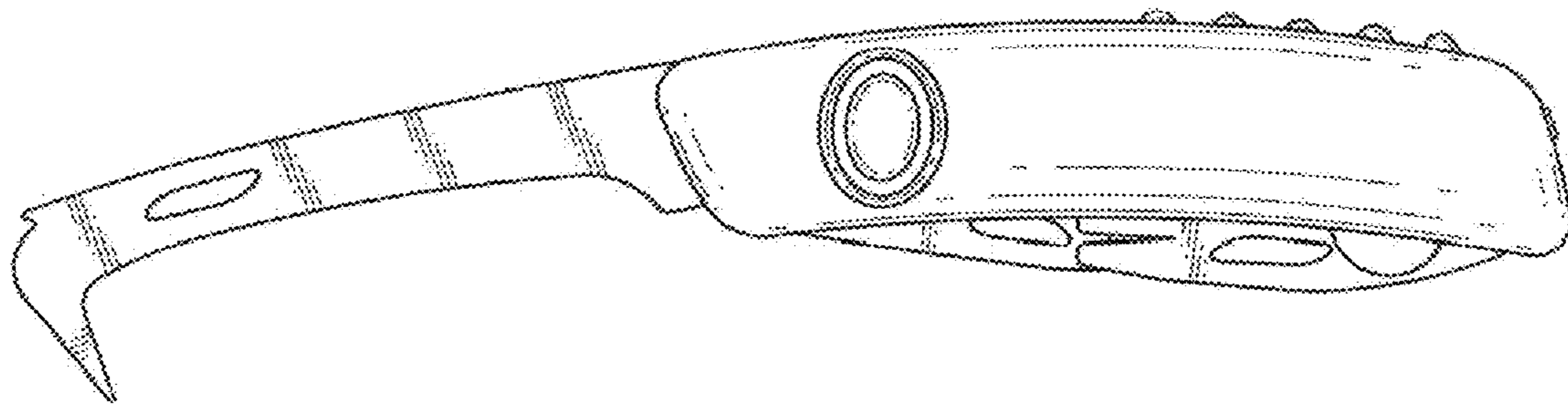


FIG. 5

